

# SunPower Reserve

Home energy storage system

## Safety and Installation Instructions

### Available Languages:

English

Dutch

French

German

Italian

Spanish

# SunPower Reserve

## Home energy storage system



## Safety & Installation Instructions

547143 Revision C  
Published December 2023

This document is valid for installing the SunPower Reserve home energy system including:

- Inverter: RESERVE-INV-1-P5-L1-INT
- Battery: RESERVE-BAT-1-DC-10.1-INT
- Meter: CHINT-DTSU666-AC-L3-INT

This document describes the mounting, installation, commissioning, configuration, operation, troubleshooting and decommissioning of the products, as well as the operation of the product user interface. The enclosed documentation is an integral part of this product. Keep the documentation in a convenient place for future reference and comply with all provided instructions.

Illustrations in this document are reduced to the essential information and may deviate from the real product.



For the latest version please refer to  
[www.sunpower.maxeon.com/int/InstallGuideReserve](http://www.sunpower.maxeon.com/int/InstallGuideReserve)  
Contents are subject to change without notice.  
Maxeon Solar Technologies, Ltd.  
[sunpower.maxeon.com](http://sunpower.maxeon.com)

<b>1.0 Introduction</b>	<b>5</b>
1.1. Disclaimer of Liability	5
1.2. Open Source License	
1.3. Levels of Messages	5
1.4. Definition of Abbreviations and Nouns	6
<b>2.0 Safety</b>	<b>7</b>
2.1. Intended Use	7
2.2. Safety Instructions for Battery	7
2.2.1. General Safety Precautions	7
2.2.2. Response to Emergency Situations	8
2.3. Important Safety Instructions	9
2.4. Symbols explanation	11
<b>3.0 Product Introduction and Application Scenarios</b>	<b>13</b>
3.1. System Introduction	13
3.2. Inverter Description	14
3.2.1. Inverter Electrical Interface Introduction	14
3.2.2. Inverter Display Interface	15
3.3. Battery Description	17
3.4. Application Scenarios	19
3.4.1. DC-coupled Storage System	19
3.4.2. AC-coupled Storage System	20
3.4.3. Hybrid-coupled Storage System	20
<b>4.0 Storage and Transport</b>	<b>21</b>
4.1. Storage	21
4.2. Transport	22
<b>5.0 Mounting</b>	<b>23</b>
5.1. Checking the Outer Packing	23
5.2. Scope of Delivery	23
5.3. Included in the box	23
5.4. Preparing tools and instruments	25
5.5. Requirements for Mounting	26
5.6. Mounting the Energy Storage System	28
5.6.1. Mounting the Battery	28
5.6.2. Mounting the Inverter	29
5.6.3. Mounting the Wi-Fi Module	30

<b>6.0</b>	<b>Electrical Connection</b>	<b>31</b>
<b>6.1.</b>	<b>Cable Requirements for Connection</b>	<b>31</b>
<b>6.2.</b>	<b>Connecting Additional Grounding</b>	<b>32</b>
<b>6.3.</b>	<b>AC Connection</b>	<b>33</b>
6.3.1.	Requirements for the AC Connection	33
6.3.2.	Selecting Suitable AC circuit Breaker	34
6.3.3.	Grid and Backup Connection	34
6.3.4.	CT Rating	36
6.3.5.	CT Connection	37
6.3.6.	Meter Connection	39
<b>6.4.</b>	<b>PV Connection</b>	<b>41</b>
<b>6.5.</b>	<b>Electrical Connection Between the Inverter and Battery Packs</b>	<b>42</b>
6.5.1.	Electrical Connection Between the Inverter and First Battery	42
6.5.2.	Communication cable connection	42
6.5.3.	Power cable connection	43
6.5.4.	Electrical connection for expansion batteries	45
6.5.5.	Other Communication Connection of Inverter	46
<b>6.6.</b>	<b>Mounting the Battery and Inverter Appearance Parts</b>	<b>48</b>
<b>6.7.</b>	<b>Mounting the Screw Plugs (option)</b>	<b>50</b>
<b>7.0</b>	<b>Startup and Shutdown procedure</b>	<b>51</b>
<b>7.1.</b>	<b>Startup procedure</b>	<b>51</b>
<b>7.2.</b>	<b>Shutdown procedure</b>	<b>51</b>
<b>7.3.</b>	<b>Checks before start-up</b>	<b>52</b>
<b>8.0</b>	<b>Set up a new System (Commissioning)</b>	<b>53</b>
<b>8.1.</b>	<b>Connect Reserve to internet</b>	<b>53</b>
<b>8.2.</b>	<b>Download and Install the SunPower One app</b>	<b>54</b>
<b>8.3.</b>	<b>Commissioning SunPower Reserve</b>	<b>54</b>
<b>8.4.</b>	<b>Switch On the System and Check System Status</b>	<b>55</b>
<b>8.5.</b>	<b>Check the AC backup (if available)</b>	<b>55</b>
<b>8.6.</b>	<b>Instruct the End User to Install the SunPower One App</b>	<b>55</b>
<b>9.0</b>	<b>Maintenance and Troubleshooting</b>	<b>56</b>
<b>9.1.</b>	<b>Routine Maintenance</b>	<b>56</b>
<b>9.2.</b>	<b>Troubleshooting</b>	<b>56</b>
9.2.1.	Inverter Error Troubleshooting	57
9.2.2.	Inverter Error Description	59
9.2.3.	Battery Protection Description	61
9.2.4.	Battery Error Description	62

<b>10.0</b>	<b>Uninstallation &amp; Return</b>	<b>63</b>
<b>10.1.</b>	<b>Removing the Product</b>	<b>63</b>
<b>10.2.</b>	<b>Packing the Product</b>	<b>63</b>
<b>10.3.</b>	<b>Disposing the Product</b>	<b>63</b>
<b>11.0</b>	<b>Specification</b>	<b>64</b>
<b>11.1.</b>	<b>Datasheet of Inverter</b>	<b>64</b>
<b>11.2.</b>	<b>Datasheet of Battery</b>	<b>67</b>
<b>12.0</b>	<b>Appendix 1: System Overview</b>	<b>68</b>
<b>12.1.</b>	<b>System wiring diagram for Australia</b>	<b>68</b>
12.1.1.	Hybrid or AC coupled configuration (AUS)	68
12.1.2.	DC coupled configuration (AUS)	69
<b>12.2.</b>	<b>System wiring diagram for Europe</b>	<b>70</b>
12.2.1.	Hybrid or AC coupled configuration (EU)	70
12.2.2.	DC coupled configuration (EU)	71
<b>13.0</b>	<b>Appendix 2: Regional Application Standard</b>	<b>72</b>

# 1.0 Introduction

## 1.1. Disclaimer of Liability

This document is intended for qualified persons and end users. Operations marked with a DANGER or CAUTION symbol may only be performed by qualified persons. End users without specific qualifications may perform any unmarked tasks.

Qualified persons must have:

- Knowledge of how an inverter works and is operated
- Knowledge of how batteries work and are operated
- Training on how to handle the dangers and risks associated with installing, repairing, and using electrical devices, batteries, and installations
- Training on the installation and commissioning of electrical devices and installations
- Knowledge of the applicable laws, standards, and directives in installation region
- Knowledge of and compliance with this document, including all safety precautions
- Knowledge of and compliance with the documents of the battery manufacturer, including all safety precautions

## 1.2. Open Source License

This product contains Open Source software, developed by third parties and licensed using vehicles including GPL and/or LGPL. For more details, a list of Open Source software used and the related license texts, please refer to the Licenses section on our Sunpower app and Maxeon website (<https://corp.maxeon.com/legal>).

## 1.3. Levels of Messages

The following levels of messages may occur when handling the product



DANGER indicates a hazardous situation which, if not avoided, will result in death or serious injury.



CAUTION indicates a situation which, if not avoided, can result in property damage and/or minor to moderate injury.



TIP provides information for the optimal installation and operation of the product.

## 1.4. Definition of Abbreviations and Nouns

Abbreviation	Description
AC	Alternating current
AUX	Auxiliary
BAT	Battery
BMS	Battery management system
CT	Current transformers
DC	Direct current
DNSP	Distributed network service provider
DRM	Demand response mode
EMS	Energy management system
INV	Inverter
LED	Light emitting diode
PV	Photovoltaic
SOC	State of charge

## 2.0 Safety

### 2.1. Intended Use

Product(s)	Intended use & installation requirements
<b>SunPower Reserve system including:</b> <ul style="list-style-type: none"><li>• <b>RESERVE-INV-1-P5-L1-INT</b></li><li>• <b>RESERVE-BAT-1-DC-10.1-INT</b></li><li>• <b>Current transformers or electricity meters</b></li></ul>	<p>The SunPower Reserve system is intended for installation in residential homes to optimise self-consumption. It is suitable for indoor and outdoor installation.</p> <p>All components must operate in a scenario suitable for their operation. Any use of the product(s) other than that described in this section does not qualify as appropriate. Be sure to use this product in accordance with the information provided in the accompanying documents and in accordance with local applicable standards and directives.</p> <p>Any other operation may cause personal injury or property damage. Alterations to the product, e.g. changes or modifications, are only permitted with the express written permission of Maxeon Solar Technologies.</p> <p>Unauthorized alterations will void guarantee and warranty claims. Maxeon Solar Technologies shall not be held liable for any damage caused by such changes.</p> <p>The type label must remain permanently attached to the product.</p> <p>This document is an integral part of this product. Ensure it is accessible for future reference and comply with all instructions contained therein.</p>
<b>INVERTER:</b> <b>RESERVE-INV-1-P5-L1-INT</b>	<p>The inverter is used for bidirectional transfer between AC current and DC current.</p> <p>It must only be operated with PV arrays of protection class II in accordance with IEC 61730, application class A. The PV modules coupling capacitance must not exceed 1.0 <math>\mu</math>F.</p>
<b>BATTERY:</b> <b>RESERVE-BAT-1-DC-10.1-INT</b>	<p>The battery pack must only be used for energy storage with a SunPower Reserve inverter.</p>

## 2.2. Safety Instructions for Battery

### 2.2.1 General Safety Precautions

1. Overvoltage or wrong wiring can damage the battery pack and cause deflagration, which can be extremely dangerous.
2. All types of breakdown of the battery may lead to a leakage of electrolyte or flammable gas.
3. Battery pack is not user-serviceable. There is a high voltage in the device.
4. Read the label with Warning Symbols and Precautions, which is on the right side of the battery pack.




5. Do not connect any AC conductors or PV conductors directly to the battery pack which should be only connected to the inverter.
6. Do not charge or discharge damaged battery.
7. Do not damage the battery pack in such ways as dropping, deforming, impacting, cutting or penetrating with a sharp object. It may cause a leakage of electrolyte or fire.
8. Do not expose battery to open flame.

## 2.2.2. Response to Emergency Situations






The battery pack is designed to prevent the danger caused by malfunction.


If an accident takes place on land, remove items away from the damaged battery pack and segregate if it is possible do so safely and call local fire department or service engineer.




If an accident takes place in water, stay out of the water and don't touch anything if any part of the battery, inverter, or wiring is submerged. Do not use battery again and contact the technical support.

Scenario	Recommended actions
<b>If the battery shell is damaged and user touches the inner material of the battery cells</b>	<ol style="list-style-type: none"> <li><b>1. In case of inhalation:</b> Leave the contaminated area immediately and seek medical attention.</li> <li><b>2. If eyes are injured:</b> Rinse eyes with running water for 15 minutes and seek medical attention.</li> <li><b>3. If skin is injured:</b> Wash the contacted area with soap thoroughly and seek medical attention.</li> <li><b>4. In case of ingestion:</b> Induce vomiting and seek medical attention.</li> </ol>
<b>If a fire breaks out in the place where the battery pack is installed</b>	<p><b>You will need:</b></p> <ul style="list-style-type: none"> <li>• FM-200, CO<sup>2</sup> or other suitable extinguisher on the battery fire.</li> <li>• ABC fire extinguisher could be used on other items, where it won't come in contact with the battery pack.</li> </ul> <p><b>What to do:</b></p> <ol style="list-style-type: none"> <li>1. If fire occurs when charging batteries, if it is safe to do so, disconnect the battery pack circuit breaker to shut off the power to charge.</li> <li>2. If the battery pack is not on fire yet, extinguish the fire before the battery pack catches fire.</li> <li>3. If the battery pack is on fire, do not try to extinguish but evacuate people immediately.</li> </ol>
 <b>If battery back is burning</b>	<p>There may be a possible explosion when batteries are heated above 150 °C. When the battery pack is burning, it leaks poisonous gases. <b>Do not approach.</b></p>












## 2.3. Important Safety Instructions













High risk scenarios	Recommended actions
 <p><b>Danger to life due to electric shock when live components or cables are touched</b></p>	<p>There is high voltage in the conductive components or cables of the inverter. Touching live parts and cables can result in death or lethal injuries due to electric shock.</p> <ul style="list-style-type: none"> <li>• Do not touch non-insulated parts or cables.</li> <li>• Disconnect the product from voltage sources and make sure it cannot be reconnected before working on the inverter or the battery pack.</li> <li>• After disconnection, wait for 5 minutes until the capacitors inside the inverter have discharged.</li> <li>• Do not open the product.</li> <li>• Wear suitable personal protective equipment for all operations on the product.</li> </ul>
 <p><b>Danger to life due to dangerous voltages on the battery pack</b></p>	<p>There is dangerous voltage at the pin connector for the power cable. Reaching into the pin connector for the power cable can result in lethal electric shock.</p> <ul style="list-style-type: none"> <li>• Do not open the battery pack.</li> <li>• Do not wipe over the battery pack with a damp cloth.</li> <li>• Leave the protective caps on the pin connectors for the batteries power connection until the inverter cables are connected to the battery pack. Disconnect the system from voltage sources and make sure it cannot be reconnected before working on the inverter or the battery pack</li> </ul>
 <p><b>Danger to life due to electric shock from touching an ungrounded PV module or array frame</b></p>	<ul style="list-style-type: none"> <li>• Touching ungrounded PV modules or array frames can result in death or lethal injuries due to electric shock.</li> <li>• Connect and ground the frame of the PV modules, the array frame and the electrically conductive surfaces so that there is continuous conduction.</li> <li>• Observe the applicable local regulations.</li> </ul>
 <p><b>Danger to life due to electric shock when live components or PV cables are touched</b></p>	<p>When PV panels exposed to sunlight, the PV array generates high DC voltage which presents in the DC conductors. Touching the live DC cables can result in death or lethal injuries due to electric shock.</p> <ul style="list-style-type: none"> <li>• Disconnect the inverter from voltage sources and make sure it cannot be reconnected before working on the device.</li> <li>• Do not touch non-insulated parts or cables.</li> <li>• Do not disconnect the DC connectors under load.</li> <li>• Wear suitable personal protective equipment for all work on the inverter.</li> </ul>
 <p><b>Danger to life due to electric shock when touching live system components in case of a ground fault</b></p>	<p>When a ground fault occurs, parts of the system may still be live. Touching live parts and cables can result in death or lethal injuries due to electric shock.</p> <ul style="list-style-type: none"> <li>• Disconnect the product from voltage sources and make sure it cannot be reconnected before working on the device.</li> <li>• Touch the cables of the PV array on the insulation only.</li> <li>• Do not touch any parts of the substructure or frame of the PV array.</li> <li>• Do not connect PV strings with ground faults to the inverter.</li> </ul>

High risk scenarios	Recommended actions
 <p><b>Risk of chemical burns from electrolyte or toxic gases</b></p>	<p>During normal operation, no electrolyte would leak from the battery pack and no toxic gases would form. Despite careful construction, if the battery pack is damaged or a fault occurs, it is possible that electrolyte may be leaked, or toxic gases may form.</p> <ul style="list-style-type: none"> <li>• Store the battery pack in a cool and dry place.</li> <li>• Do not drop the battery pack or damage it with sharp objects.</li> <li>• Only set the battery pack down on its back or its bottom.</li> <li>• Do not open the battery pack.</li> <li>• Do not install or operate the battery pack in potentially explosive atmosphere or areas of high humidity.</li> <li>• If moisture has penetrated the battery pack (e.g., due to a damaged housing), do not install or operate the battery pack.</li> <li>• In case of contact with electrolyte, rinse the affected areas immediately with water and consult a doctor without delay.</li> </ul>

Cautionary scenarios	Recommended actions
 <p><b>Risk of burns due to hot heatsink and housing</b></p>	<p>The enclosure and cover of the inverter can get hot during operation. During operation, do not touch any other than the cover of the inverter.</p>
 <p><b>Damage to the inverter due to electrostatic discharge</b></p>	<ul style="list-style-type: none"> <li>• Touching electronic components can cause damage to or destroy the inverter and the battery through electrostatic discharge.</li> <li>• Ground yourself before touching any component.</li> </ul>
 <p><b>Damage due to cleaning agents</b></p>	<ul style="list-style-type: none"> <li>• The use of cleaning agents may cause damage to the energy storage system and its components.</li> <li>• Clean the system and all its components only with a cloth moistened with clear water.</li> </ul>

## 2.4. Symbols explanation

Inverter Symbols	Explanation
	Beware of a danger zone This symbol indicates that the inverter must be additionally grounded if additional grounding or equipotential bonding is required at the installation site.
	Beware of electrical voltage The product operates at high voltages.
	Beware of hot surface The product can get hot during operation.
	Danger to life due to high voltages in the inverter, observe a waiting time of 5 minutes. Prior to performing any work on the inverter, disconnect it from all voltage sources as described in this document.
	WEEE designation Do not dispose of the product together with the household waste but in accordance with the disposal regulations for electronic waste applicable at the installation site.
	Observe the documentation
	CE marking The product complies with the requirements of the applicable EU directives.
	Certified safety The product is TUV-tested and complies with the requirements of the EU Equipment and Product Safety Act.
	RCM (Regulatory Compliance Mark) The product complies with the requirements of the applicable Australian standards.
	UKCA marking The product complies with the regulations of the applicable laws of England, Wales and Scotland.
	RoHS labeling The product complies with the requirements of the applicable EU directives.

Battery Symbols	Explanation
	Beware of a danger zone This symbol indicates that the battery pack must be additionally grounded if additional grounding or equipotential bonding is required at the installation site.
	Risk of chemical burns
	Risk of explosion
	Observe the documentation
	Risk of electrolyte leakage
	CE marking The product complies with the requirements of the applicable EU directives.
	Refer to the instruction for operation
	Use eye protection
	Fire, naked light and smoking prohibited
	Install the product out of reach of children
	Do not dispose of the battery pack together with the household waste but in accordance with the locally applicable disposal regulations for batteries
	Recycling code
<b>UN38.3</b>	Marking for transport of dangerous goods The product passes the certifications of the UN38.3

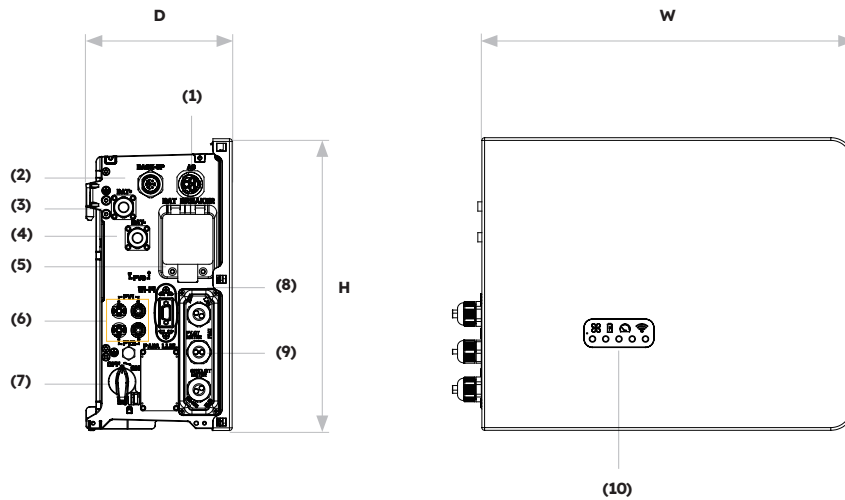
## 3.0 Product Introduction and Application Scenarios

### 3.1 System Introduction



## 3.2. Inverter Description

### 3.2.1. Inverter Electrical Interface Introduction



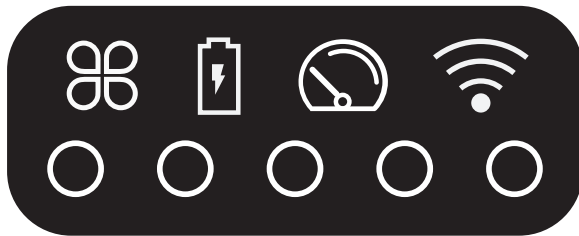
Position	Description
1	Grid Connector
2	Backup Connector
3	Battery Positive Power Connector
4	Battery Negative Power Connector
5	Battery Circuit Breaker* of the Inverter
6	Positive and Negative PV connectors, PV1/ PV2
7	PV Switch*
8	Wi-Fi Port
9	Communication (Ports CAN/RS485, BMS, LAN, Meter/Grid-CT, DRM**, PV-CT, AUX)
10	Inverter LED

\* All breaker and switch of the inverter are switched off when shipped.

\*\* The DRM is only for regions with AS/NZS 4777.2 safety regulations.

### 3.2.2. Inverter Display Interface

Nine LED indicators are provided on the inverter display panel.











#### Upper LED indicators

The four system LEDs provide information about status and operations of the system

#### Lower LED indicators

Five LEDs are used to indicate the state of charge of the battery(ies) in normal operation

However, when the system is experiencing a fault, the combination of both upper and lower LEDs are used to show error codes, such as:

Normal status	Description	Abnormal status	Description
 <b>SYSTEM</b>	<b>White light</b> The system works normally	 <b>SYSTEM</b>	<b>Red light</b> The system is in fault
 <b>METER</b>	<b>White light</b> Meter Communication works normally	 <b>METER</b>	<b>No light</b> Meter lost
 <b>BATTERY</b>	<b>White light</b> Battery works normally	 <b>BATTERY</b>	<b>No light</b> Battery is not working normally
 <b>COMMS</b>	<b>White light</b> Server Connected	 <b>COMMS</b>	<b>No light</b> Server Disconnected









The inverter lights will also operate differently during the software downloading and upgrading process:

Light	During the software downloading and upgrading process
Inverter light display	While the inverter is downloading the file to update its firmware, the lower 5 LEDs will flow from both sides to the middle. When the download process has completed and the upgrade process begins, the lower 5 LEDs will flow from the middle to the two sides.
Battery light display	The number of lights from left to right is 1-3. During upgrading, No. 3 white light is flashing fast, other two LEDs are off.

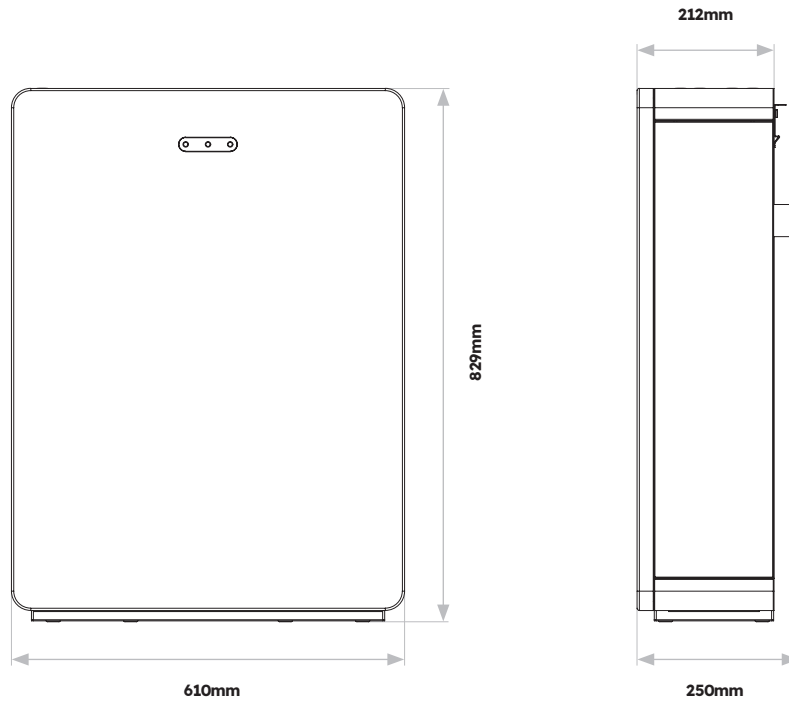
The lower LED indicators on the front cover of the inverter provide information about the State of Charge (SOC). If all batteries are operating normally, they will display solid white or off.

During the various states of charge, the lights will display:

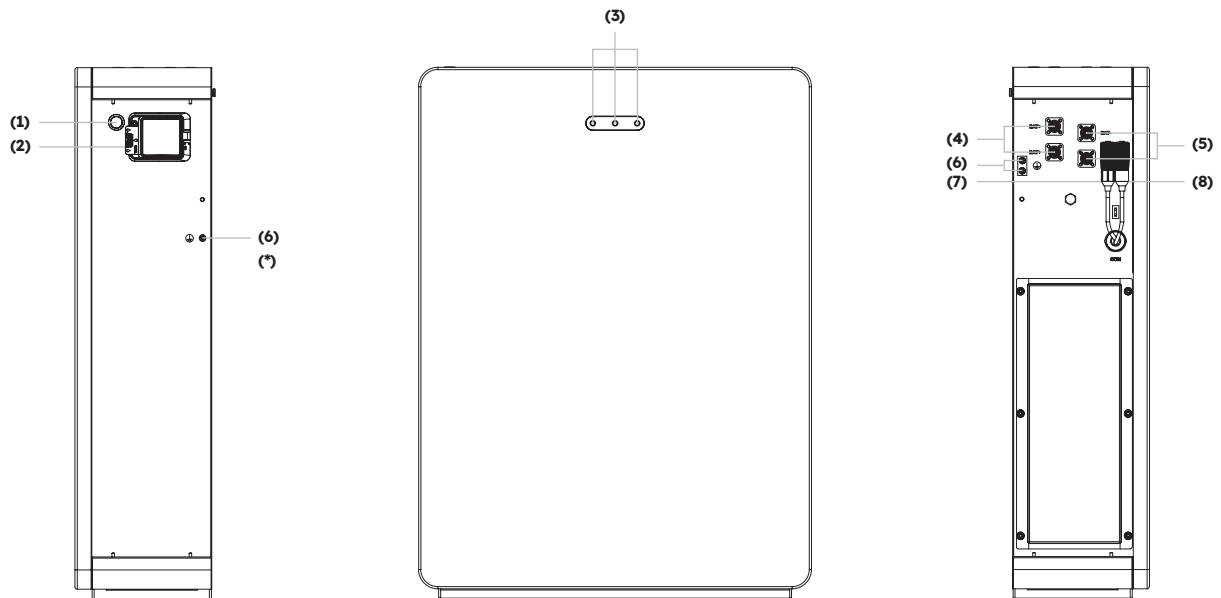
State of Charge (SoC)	Description
	$SOC \leq 5.2\%$
	$5.2\% < SOC \leq 9.5\%$
	$9.5\% < SOC \leq 25.2\%$
	$25.2\% < SOC \leq 50\%$
	$50\% < SOC \leq 75.2\%$
	$75.2\% \leq SOC \leq 100\%$

### 3.3 Battery Description

Battery pack appearance and dimensions:



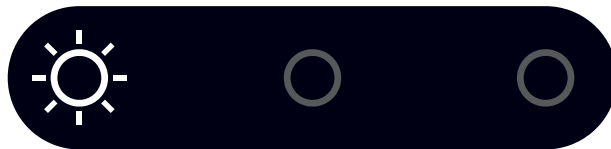
Connection area overview:



Position	Description
1	Battery Start Button
2	Battery Circuit Breaker
3	Battery LED Display
4	Battery+ Power Connector
5	Battery- Power Connector
6	Grounding terminal
7	BMS COM (1)
8	BMS COM (2) (with terminal resistor)

### Battery LED Display

The three LED indicators on the front cover of the battery provide information about the SOC operational status of the single battery with lights displaying solid white or flashing:



State of Charge (SoC)	Description
	$SOC \leq 10\%$
	$10\% < SOC \leq 30\%$
	$30\% < SOC \leq 50\%$
	$50\% < SOC \leq 60\%$
	$60\% < SOC \leq 90\%$
	$90\% < SOC \leq 100\%$

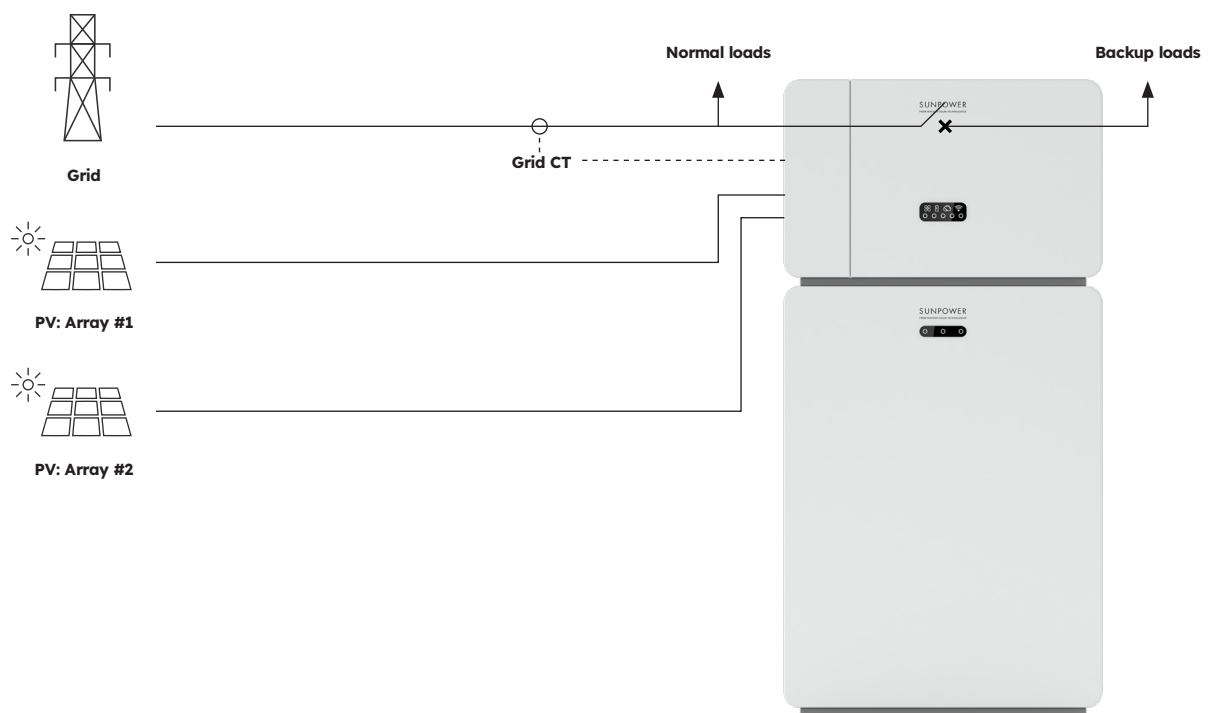
### 3.4 Application Scenarios

The SunPower Reserve system is a flexible storage system that can be applied in all of the following scenarios:

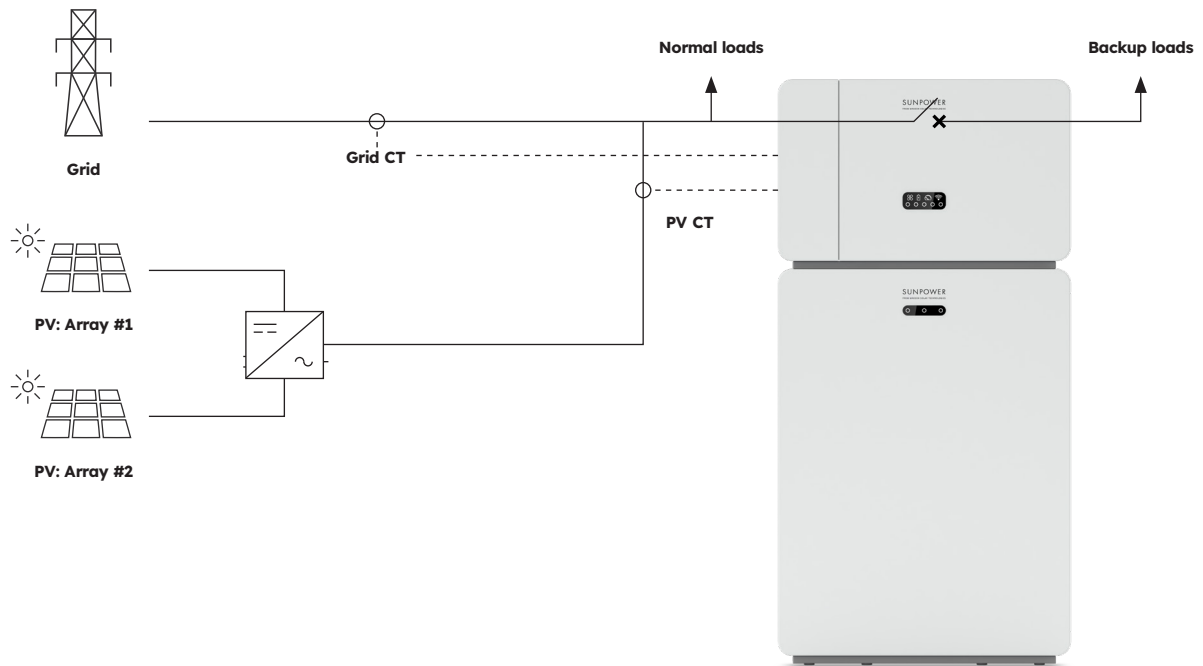
Application	Description	Advantages
<b>DC</b>	First-time PV array install Hybrid inverter will run both solar and battery	No additional inverter needed
<b>AC</b>	A PV array was previously installed or the PV array is using microinverters. The system will be composed of dedicated inverters for solar and battery	<ul style="list-style-type: none"> <li>• Loads can be drawn from battery and PV simultaneously</li> <li>• Battery system can be retrofit</li> </ul>
<b>Hybrid</b>	A PV array was previously installed and a new PV array is added as a separate system; Hybrid inverter will run new solar and battery	<ul style="list-style-type: none"> <li>• Can be coupled to any existing PV system</li> <li>• Increase system size and control without altering original PV system</li> </ul>

An example of each of these scenarios:

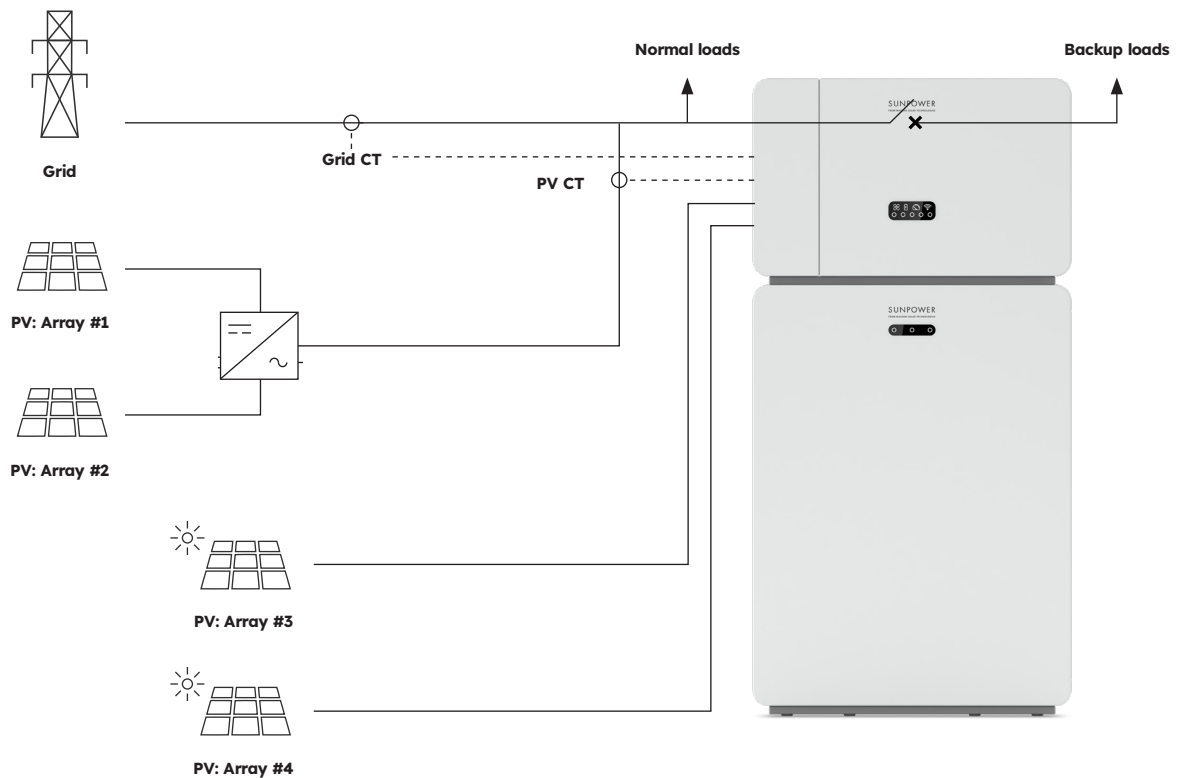
#### 3.4.1. DC-coupled Storage System



### 3.4.2. AC-coupled Storage System



### 3.4.3. Hybrid-coupled Storage System



## 4.0 Storage and Transport

### 4.1. Storage

The following requirements should be met if the inverter is not put into use directly:

Product(s)	Storage directions
<b>Inverter:</b> <b>RESERVE-INV-1-P5-L1-INT</b>	<ol style="list-style-type: none"><li>1. Do not unpack the inverter.</li><li>2. Keep the storage temperature at -40 °C / +70 °C and the humidity at 5% / 95% RH.</li><li>3. The inverter should be stored in a clean and dry place and be protected from dust and water vapor corrosion.</li><li>4. A maximum of five inverters can be stacked. To avoid personal injury or device damage, stack inverters with caution to prevent them from falling over.</li><li>5. During the storage period, check the inverter periodically. Replace the packing materials which are damaged by insects or rodents in a timely manner.</li><li>6. If the inverters have been stored for more than two years, it must be checked and tested by professionals before being put into use.</li></ol>
<b>Battery:</b> <b>RESERVE-BAT-1-DC-10.1-INT</b>	<ol style="list-style-type: none"><li>1. Place batteries according to the signs on the packing case during storage. Do not put batteries upside down or their side.</li><li>2. Stack battery packing cases by complying with the stacking requirements on the external package.</li><li>3. Store the battery pack out of reach of children and animals.</li><li>4. Store the battery pack where it should be minimal dust and dirt in the area.</li><li>5. Handle batteries with caution to avoid damage.</li><li>6. The storage environment requirements are as follows:<ol style="list-style-type: none"><li>a. Ambient temperature: -10 °C / +55 °C, recommended storage temperature: 15 °C / 30 °C</li><li>b. Relative humidity: 15% / 85%</li><li>c. Place batteries in a dry and clean place with proper ventilation.</li><li>d. Place batteries in a place that is away from corrosive organic solvents and gases.</li><li>e. Keep batteries away from direct sunlight.</li><li>f. Keep batteries at least 2 m away from heat sources.</li></ol></li><li>7. The batteries in storage must be disconnected from external devices. The indicators (if any) on the batteries should be off.</li></ol>

8. Batteries should be delivered based on the „first in, first out“ rule.
9. The warehouse keeper should collect battery storage information every month and periodically report the battery inventory information to the planning department. The batteries that have been stored for nearly 6 months should be recharged.
10. If a lithium battery is stored for a long time, capacity loss may occur. After a lithium battery is stored for 12 months in the recommended storage temperature, the irreversible capacity loss rate is 3% / 10%. It is recommended that batteries not be stored for a long period. If the batteries need to be stored for more than 6 months, it is recommended to recharge the batteries to 65% / 75% of the SOC

## 4.2. Transport

During transportation, please follow these guidelines:

1. Use the original packaging for transportation.
2. Handle with care, choose the corresponding handling method according to the weight, and pay attention to safety.
3. During transportation, avoid mechanical damage and keep dry.
4. Please secure the packaging during transportation to prevent damage.
5. Observe local regulations for lifting heavy objects and safety hazards.

## 5.0 Mounting

### 5.1. Checking the Outer Packing


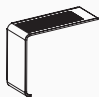
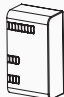
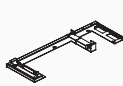
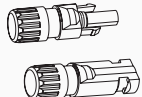
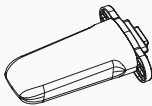
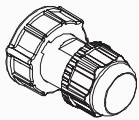

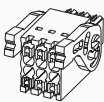
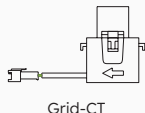
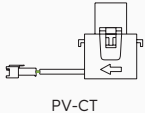
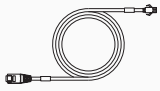
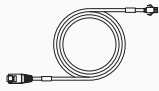


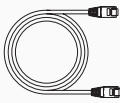
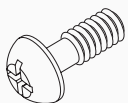
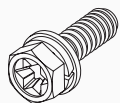

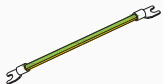
Before unpacking the product, check the outer packing for damage, such as holes and cracks. If any damage is found, do not unpack the product and contact your supplier as soon as possible.

### 5.2. Scope of Delivery



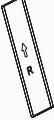
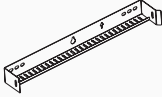




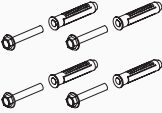


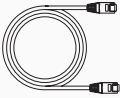


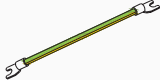
Check the scope of delivery for completeness and any externally visible damage. Contact your supplier if the scope of delivery is incomplete or damaged

### 5.3. Included in the box

Check the components included with inverter and battery from the list below.

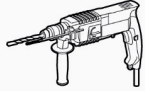



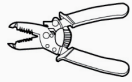










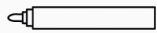






Inverter (RESERVE-INV-1-P5-L1-INT)				
				
RESERVE-INV-1-P5-L1-INT (x1)	TOP decoration plate (x1)	Cable cover (x1)	Inverter base (x1)	PV MC4 connector pair (X2)
				
WiFi Module (x1)	Grid Connector (x1)	BACK UP Connector (x1)	AUX Connector (x1)	Grid CT (x1)
				
PV CT (x1)	Grid CT Cable (x1)	PV CT Cable (x1)	Battery Positive Power Cable (x1)	Battery Negative Power Cable (x1)
				
Battery Communication Cable (x1)	Screw M4*10 (x2)	M5*12 Screw (x8)	Inverter Quick Installation Guide	Grounding Cable



BATTERY (RESERVE-BAT-1-DC-10.1-INT)				
				
Battery Pack (x1)	Left Side Plate (x1)	Right Side Plate (x1)	Wall bracket (x1)	M5 x 12 (X3)
				
Limit Bracket (x2)	Plastic set screws (M5-L8) (x12)	Plastic Blockage (x4)	Wall Anchor and Expansion Screws (x4)	Y type Terminal Blocks (x2)
				
Battery Quick Installation Guide (x1)	Expansion Battery Communication Cable (x1)	Expansion Battery Positive Power Cable (x1)	Expansion Battery Negative Power Cable (x1)	Grounding Cable (x1)

## 5.4. Preparing tools and instruments

Ensure the following equipment and safety gear is available prior to installation of the unit:

Tools and Instruments and Personal Protective Equipment				
				
Hammer drill (With a $\varnothing$ 10mm drill bit)	Torque socket wrench M10	Multimeter (DC voltage range 0-1000 V DC)	Diagonal pliers	Wire stripper
				
PH2 screwdriver (Torque range: 0-5 N m)	Rubber mallet	Utility knife	Cable cutter	Crimping tool
				
Terminal crimper	Disassembly and Assembly Tool of PV connector	Vacuum cleaner	Heat shrink tubing	Heat gun
				
Marker	Measuring tape	Bubble or digital level	Anti-dust respirator	Safety shoes
				
Safety gloves	Safety goggles			

## 5.5. Requirements for Mounting



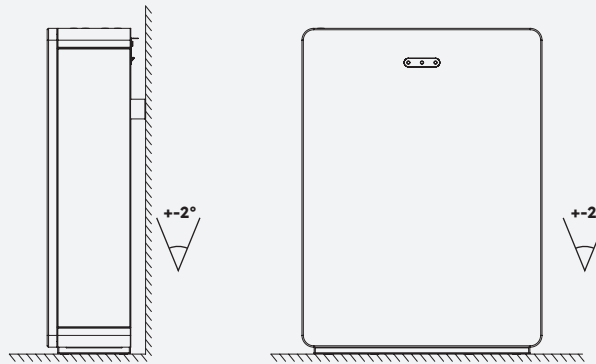
Despite careful construction, electrical devices can cause fires.

- Do not mount the energy storage system in areas containing highly flammable materials or gases.
- Do not mount the system in potentially explosive atmospheres.

Type	Requirements
<b>Basic</b>	<ul style="list-style-type: none"> <li>• The SunPower Reserve system is suitable for indoor and outdoor use.</li> <li>• Do not install the inverter in a place where a person can easily touch it because its enclosure and cover can be very hot during operation.</li> <li>• Do not mount the system in areas with flammable or explosive materials.</li> <li>• Do not mount the system at a place within children's reach.</li> <li>• Do not mount the system outdoors in salt areas because it will be corroded there and may cause fire. A salt area refers to the region within 500 m from the coast or prone to sea breeze.</li> </ul>
<b>Mounting Environment</b>	<ul style="list-style-type: none"> <li>• The system must be mounted in a well-ventilated environment to ensure good heat dissipation.</li> <li>• Do not mount the system in areas where it could be exposed to sunlight, the power of the system may be derated due to additional heat.</li> <li>• Mount the system in a sheltered place or mount an awning over the product.</li> <li>• The optimal temperature range for the battery pack is from 15 °C to 30 °C and not exposed to sunlight.</li> <li>• Do not expose or place near water sources like downspouts or sprinklers.</li> <li>• If the battery pack is mounted in an area where vehicles are present, ensure mechanical protection from vehicles.</li> </ul>
<b>Mounting Structure</b>	<ul style="list-style-type: none"> <li>• The mounting surface behind the system should not allow the propagation of fire.</li> <li>• Ensure that the mounting floor is solid and able to bear the weight of the system.</li> </ul>

**Mounting Angle and Stack**

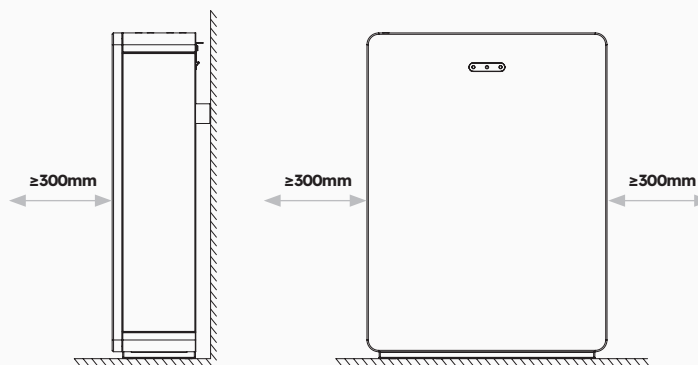
- The inverter should be mounted on the battery. The installation angle requirement is:



- Do not mount the battery at forward tilted, side tilted, horizontal, or upside-down positions

**Mounting Space**

- Reserve sufficient clearance around the product to ensure sufficient space for installation, maintenance and heat dissipation.
- The side clearance is a recommendation. Keep the clearance as short as you can if there is no influence on the operation and maintenance.

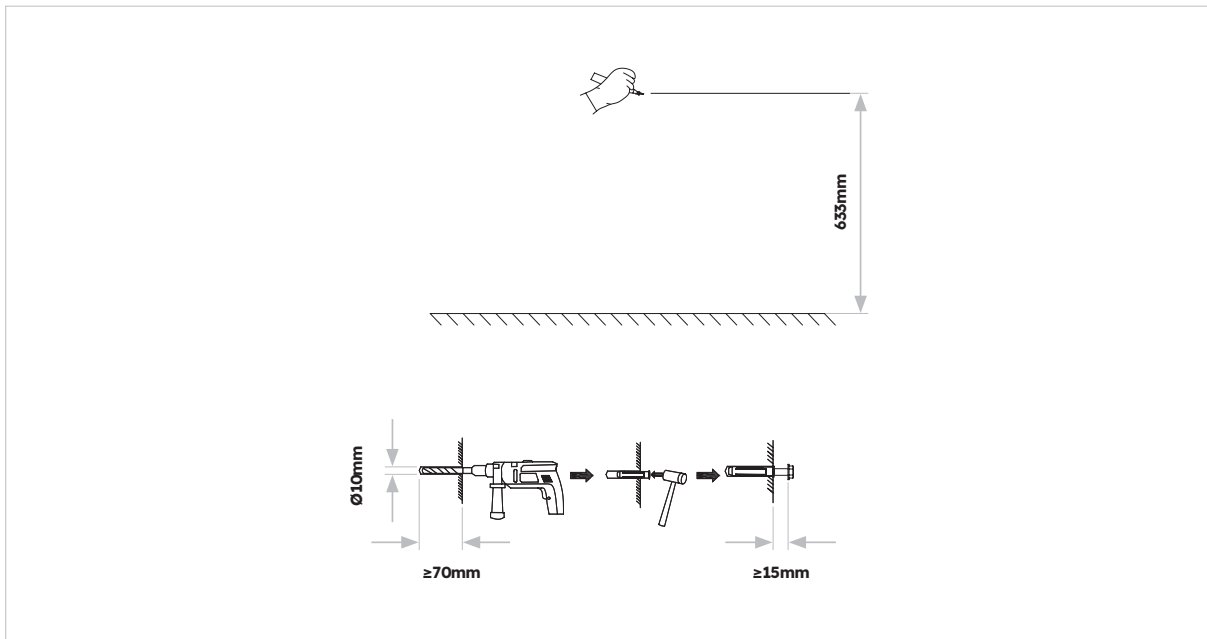


## 5.6 Mounting the Energy Storage System

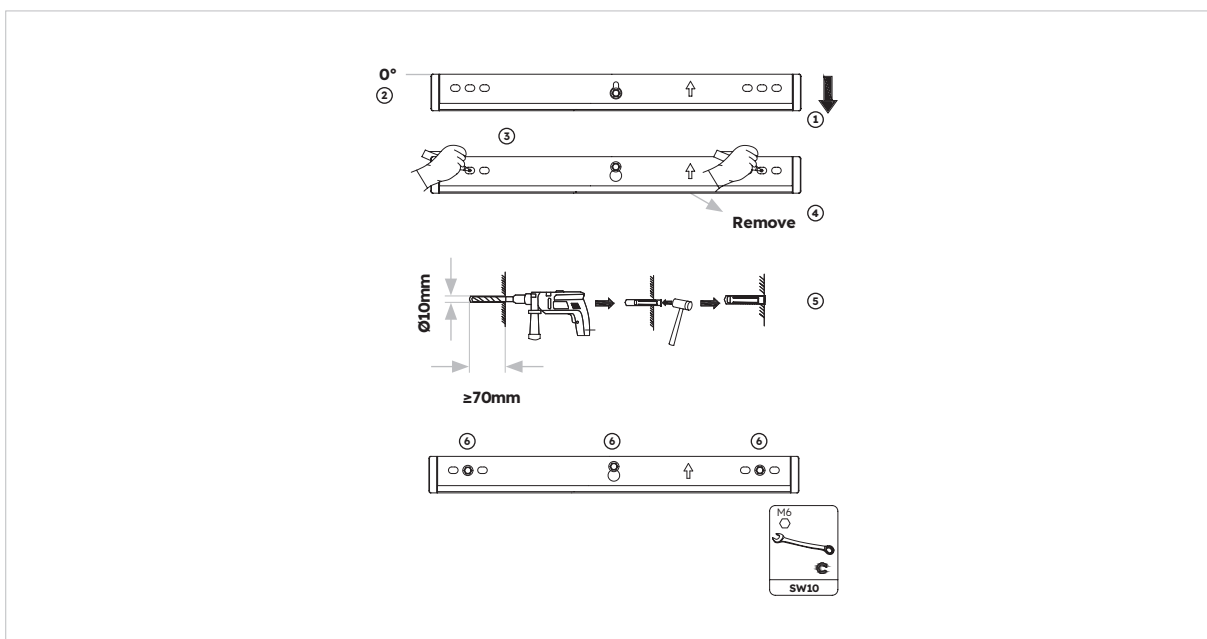
### 5.6.1. Mounting the Battery

#### Battery Mounting Instructions:

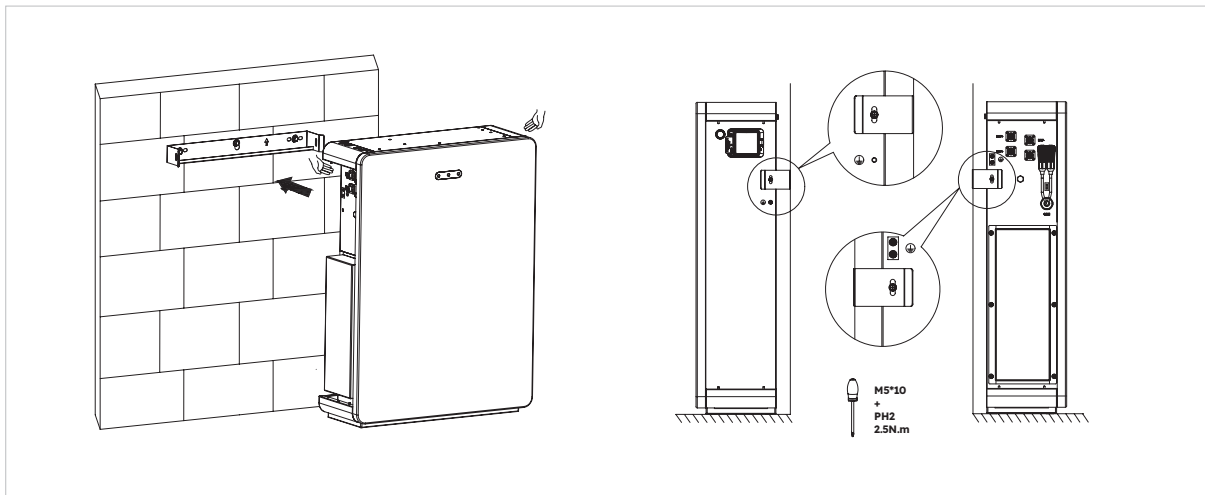
1. Take out the battery from the carton, transport it to the installation site with a suitable handcart with securing facility.



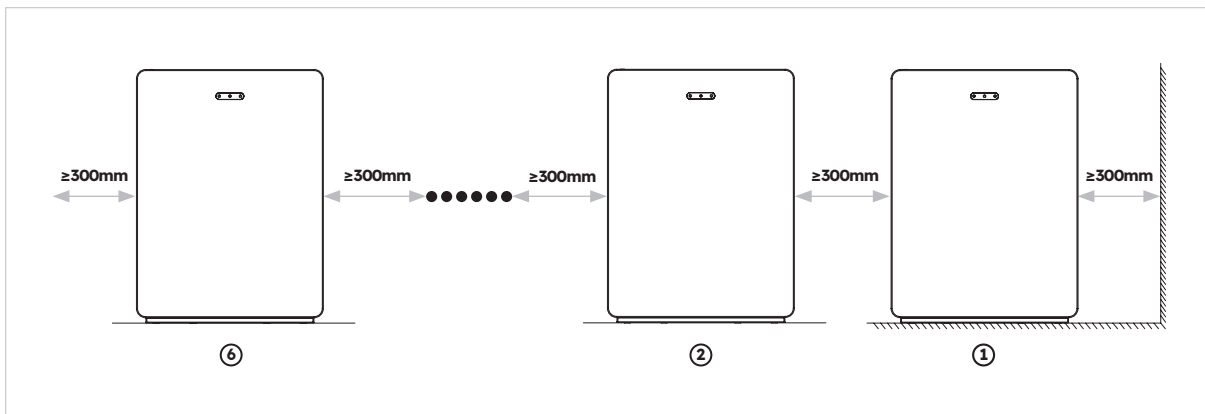
2. Mark the holes and mount the wall panels. Please make sure the surface under the batterie(s) are solid and level.



3. Fix the battery on the wall bracket with two M5\*10 screws.



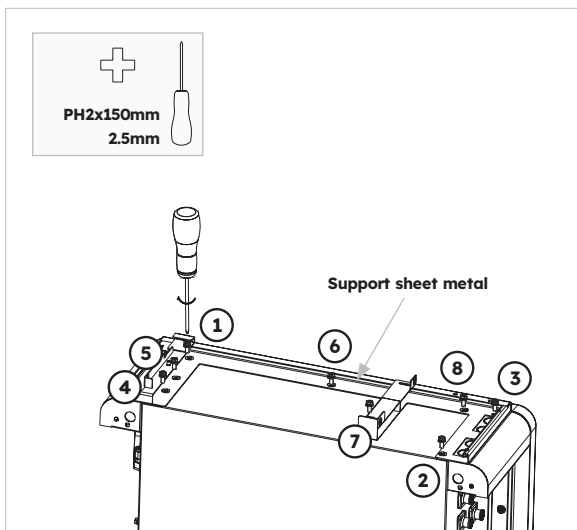
4. To mount additional batteries (max. 6 units), please follow as above steps:



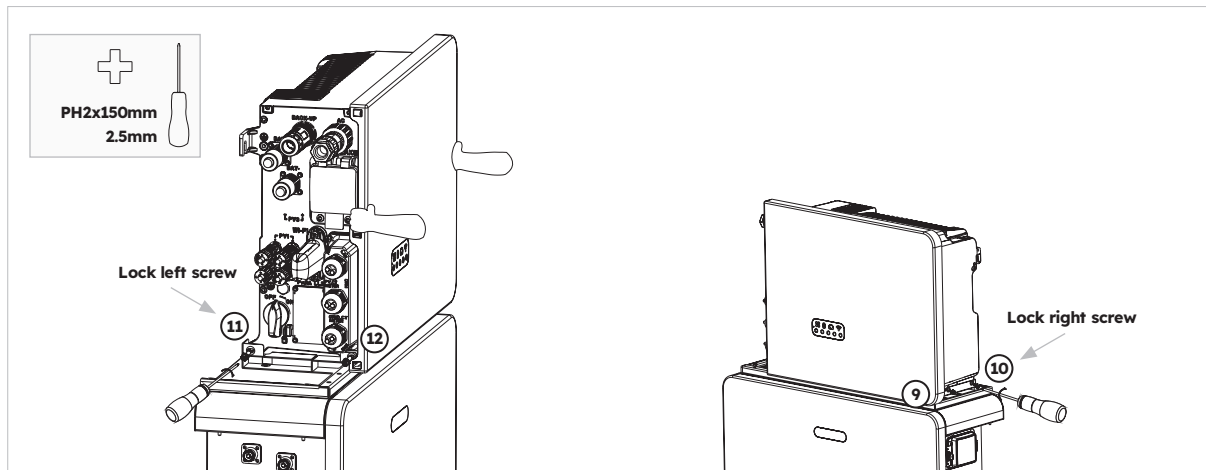
## 5.6.2. Mounting the Inverter

Inverter Mounting Instructions:

1. Fit the inverter base onto the top of the battery and attach.



2. Attach the inverter to the sides of the inverter base and lock left screws:



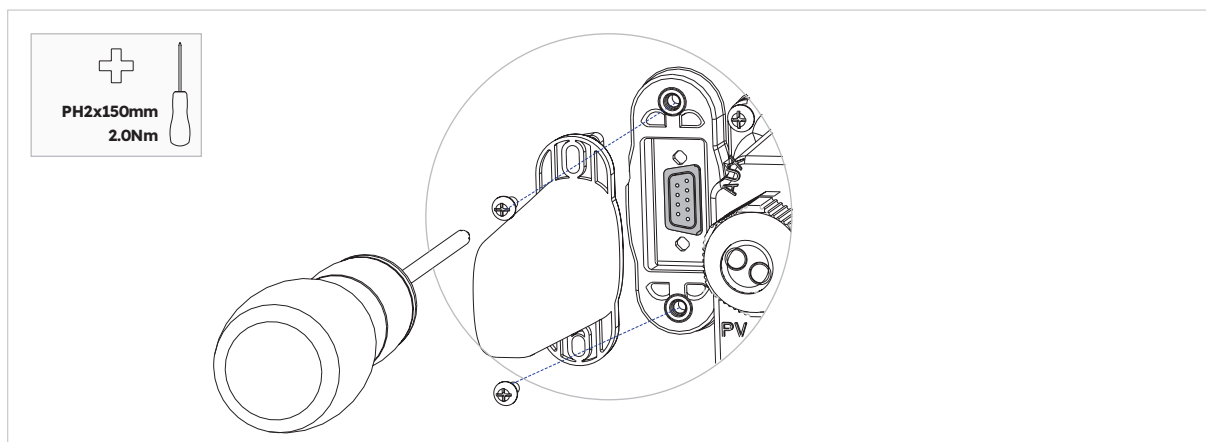
### 5.6.3. Mounting the Wi-Fi Module

#### Inverter Mounting Instructions

1. Remove the Wi-Fi anti-dust cover from the left side of the inverter



2. Tighten the Wi-Fi module onto the inverter with screw M4\*10 (X2)



Note: you may prefer to install the Wi-Fi dongle last to maximize access for connecting the electrical cables.

## 6.0 Electrical Connection



The energy storage system damage caused by incorrect cable connections is not covered under any warranty. Only certified electricians are allowed to connect cables. Operation personnel must wear proper PPE when connecting cables.



Before connecting cables, ensure that all breakers and switches of the energy storage system are set to OFF. Otherwise, the danger voltage of the system may result in electric shocks.



The cable colors shown in the electrical connection diagrams provided in this chapter are for reference only. Select cables in accordance with local cable specifications (green-and-yellow cables are only used for PE).

### 6.1. Cable Requirements for Connection

No.	Cable	Type	Conductor Cross Section Area	Outer Diam.	Source
1	Battery power cables with inverter	Standard PV cable in the industry	16mm <sup>2</sup>	N/A	Delivered with the inverter
2	Battery communication cable with inverter	Standard network cable in the industry	0.12-0.20mm <sup>2</sup>	N/A	Delivered with the inverter
3 <sub>1</sub>	Signal cable	Standard network cable in the industry	0.12-0.20mm <sup>2</sup>	N/A	Delivered with the inverter
4	PV Power cable	Standard PV cable in the industry (recommended type: PV1-F)	4-6mm <sup>2</sup>	5.5-9mm	Purchased by the installer
5 <sub>2</sub>	Signal cable	Standard network cable in the industry (recommended type: C-Bus cable)	0.12-0.20mm <sup>2</sup>	4-6mm	Purchased by the installer
6 <sub>3</sub>	Signal cable	Multiple-core outdoor shielded twisted pair cable	0.1~1.3mm <sup>2</sup>	4-6mm	Purchased by the installer
7	AC power cable for backup	Three-core (L, N and PE) outdoor copper cable	4-6mm <sup>2</sup>	10-14mm	Purchased by the installer
8	AC power cable for grid	Three-core (L, N and PE) outdoor copper cable	6-10mm <sup>2</sup>	9-18mm	Purchased by the installer
9	PE cable	Single-core outdoor copper cable	4-10mm <sup>2</sup>	N/A	Purchased by the installer



10	Expansion Battery power cables	Standard PV cable in the industry	16mm <sup>2</sup>	N/A	Delivered with the battery
11	Expansion Battery communication cable	Standard network cable in the industry (recommended type: C-Bus)	0.12 - 0.20mm <sup>2</sup>	N/A	Delivered with the battery

<sup>1</sup> For CT communication connection with inverter.

<sup>2</sup> For CAN/RS485, LAN, Meter, DRM communication connection with inverter.

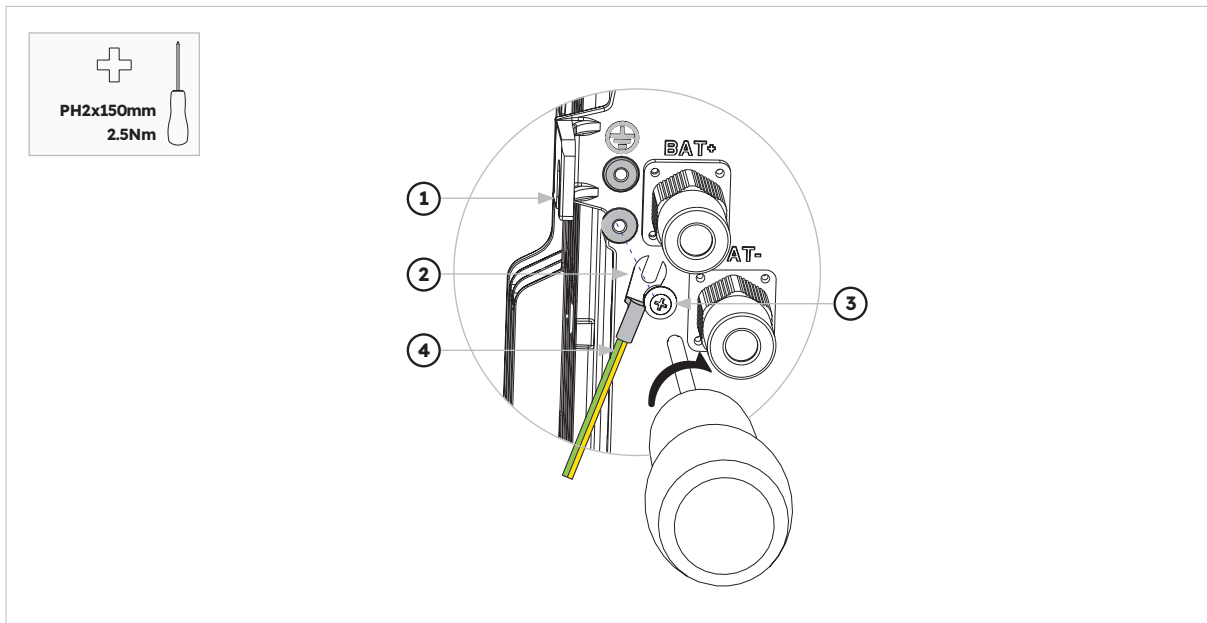
<sup>3</sup> For AUX communication connection with inverter.

## 6.2 Connecting Additional Grounding



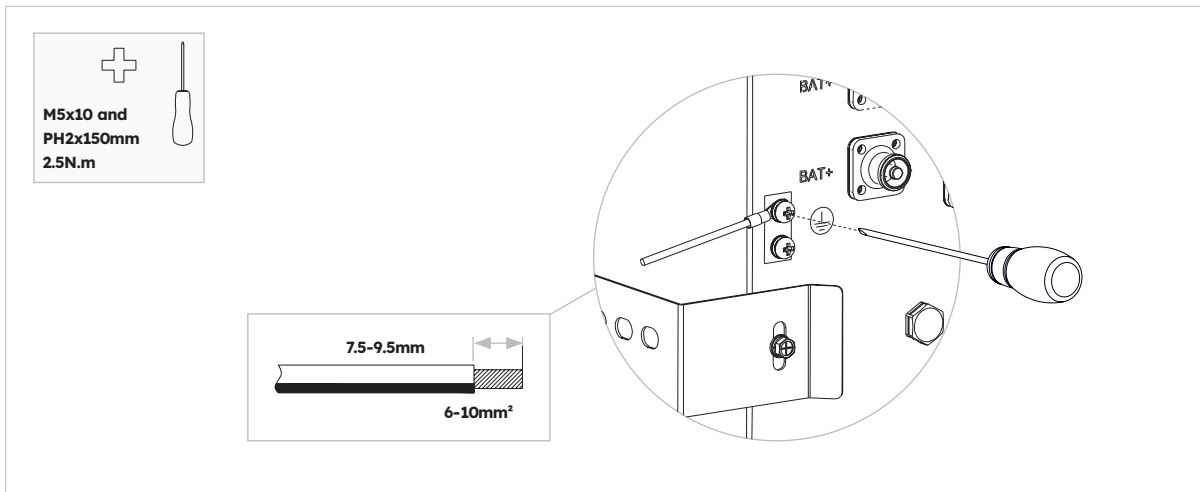
**Electric Shock Hazard:** Before doing electrical connection, please ensure the PV switch & all AC and BAT circuit breakers in the energy storage system are switched off and cannot be reactivated.

An external grounding point is provided at the upper left of the inverter. Prepare M5 OT terminals, strip the grounding cable insulation, insert the stripped part of the grounding cable into the ring terminal lug and crimp using a crimping tool. Additional grounding connection for inverter:



Position	Designation
1	Housing
2	M5 terminal lug with protective conductor
3	M5x12 PH2 head screw
4	PE cable

Grounding connection for battery:



## 6.3. AC Connection

### 6.3.1. Requirements for the AC Connection



**DANGER**

**Residual-current monitoring unit:** The inverter does not require an external residual-current device when operating. If local regulations require the use of a residual-current device, or Hybrid-coupled storage system with big coupling capacity from the PV array and PV inverter, the following must be observed: The inverter is compatible with type A residual-current devices with a rated residual current of 100 mA or higher. Each inverter in the system must be connected to the utility grid via a separate residual-current device.



**DANGER**

**Protection devices:** You must protect each inverter with an individual grid/backup circuit breaker to ensure that the inverter can be disconnected safely.

AC cable requirements as follows:

- Conductor type: copper wire
- External diameter: 9mm to 18mm for grid connector, 10mm to 14mm for backup connector
- Conductor cross-section area recommendation: 10mm<sup>2</sup> for grid connection, 6mm<sup>2</sup> for backup connection
- Insulation stripping length: 10mm
- Sheath stripping length: 50mm

### 6.3.2. Selecting Suitable AC circuit Breaker



The maximum allowable grid circuit breaker specification is **50 A** when the copper conductor cross section for grid connection is **10 mm<sup>2</sup> and factors influencing the ampacity of the cable, other influences on dimensioning must be considered**. You should use APP (SunPower One app) or installer platform (SunPower One installer dashboard) to select correct setting if the grid circuit breaker specification is 32 A or 40 A, otherwise it increases the danger of the circuit breaker tripping under normal operating conditions.



The maximum allowable grid circuit breaker specification is **40 A** when the copper conductor cross section for grid connection must be **6 mm<sup>2</sup> (in some countries: 8 mm<sup>2</sup>) and factors influencing the ampacity of the cable, other influences on dimensioning must be considered seriously**. You should use APP (SunPower One app) or installer platform (SunPower One installer dashboard) to select correct setting if the grid circuit breaker specification is 32 A or 40 A, otherwise it increases the danger of the circuit breaker tripping under normal operating conditions.

The general requirements for the selection of circuit breakers are determined by standards and country specific provisions. In the following, generally applicable influencing factors to be considered when selecting a suitable circuit breaker are listed:

- Factors influencing the ampacity of the cable: type of cable used, ambient temperature around the cable, type of cable routing, bundling of cables.
- Other influences on dimensioning: loop impedance, mutual heating of circuit breakers, ambient temperature at the circuit breaker, selectivity, type of connected device.

If these factors are ignored, it increases the danger of the circuit breaker tripping under normal operating conditions.

Description	Max. Current	Circuit Breaker Size for RESERVE-INV-1-P5-L1-INT
Grid Side	43.5 A	32/40/50 A
Backup Side	21.7 A	32 A

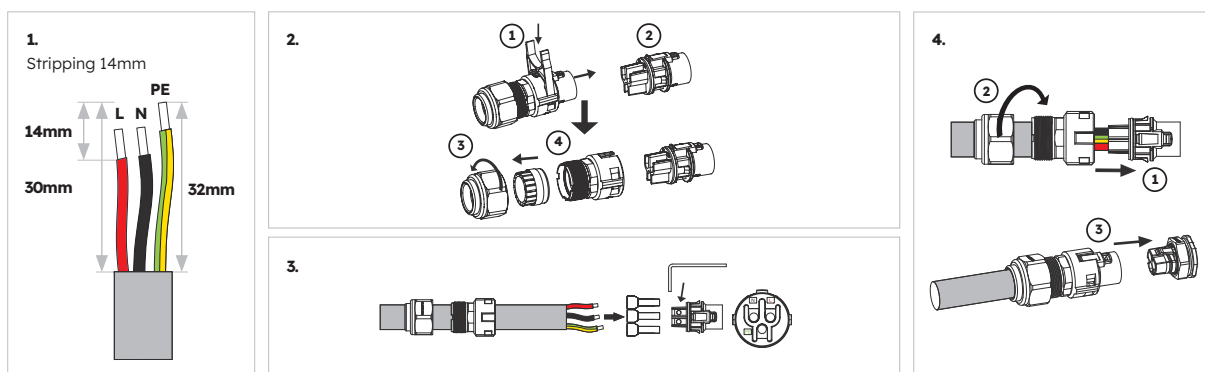
### 6.3.3. Grid and Backup Connection

#### Grid and Backup Connector Instructions:

1. Disconnect the circuit breakers and secure against reconnection.
2. Dismantle the AC cable by 50mm.
3. Shorten L and N by 2mm each, so that the grounding conductor is 2 mm longer. This ensures that the grounding conductor is the last to be pulled from the screw terminal in the event of tensile strain.

4. Strip the insulation of L, N and the grounding conductor 10mm.
5. In the case of fine stranded wire L, N and PE are to be fitted with bootlace ferrules.
6. Disassemble the AC connector and connect the conductors to the AC connector.
7. Ensure that all conductors are securely connected to the AC connector, assemble the AC connector.
8. Plug the grid connector into the socket for the grid connection. When doing so, align the grid connector so that the key on the inverter grid socket is inserted into the keyway on the grid connector bush insert.
9. For backup connection, plug the backup connector into the inverter backup socket and tighten clockwise firmly.

**To connect the grid connector:**



Please ensure connector has been correctly installed.

## To connect the backup connector:

**1.**

Approx. 24mm  
For "L" and "N"

ø9-12mm

8mm

Approx. 26mm for PE

Three-core (L, N and PE) outdoor copper cable  
Conductor cross-section: 4-6mm<sup>2</sup>

**2.**

Insert the crimped conductors, L, N and PE into the corresponding terminals and tighten the screws (torque 1.5±0.1N-m)

Assemble the locking cap, threaded sleeve and swivel nut together

**3.**

Plug the connector into the socket and tighten firmly

Please ensure connector has been correctly installed.



For Australia and New Zealand installation sites, the Neutral is switched internally between the Grid and Backup Ports of the inverter. The backup port Neutral must be connected to the site Neutral bar.

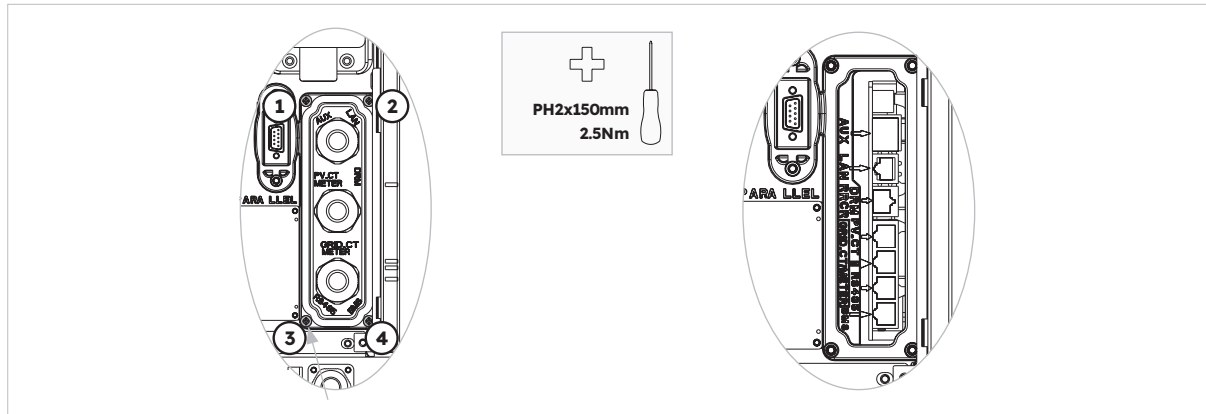
### 6.3.4. CT Rating

Item	Current	Scenarios
CT	100 A	CT

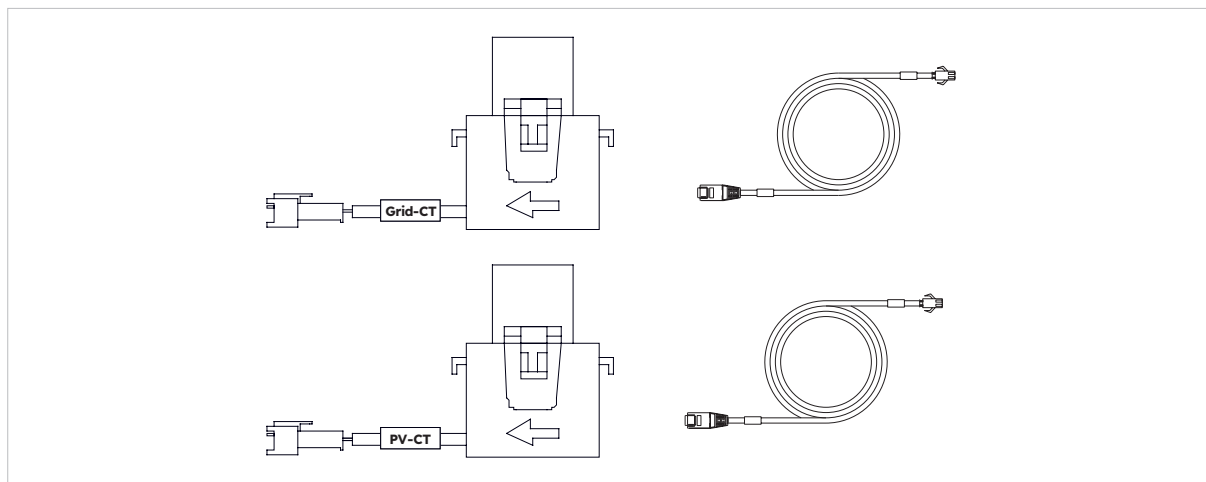
## 6.3.5. CT Connection

### CT Connection Instructions:

1. Loosen the swivel nuts of the cable glands on the COM connection cover of inverter, and unscrew the 4 screws on the corners, then you will see the grid CT, PV CT and meter communication ports. Keep the screws on the cover.



2. Locate the included Grid CT and PV CT.

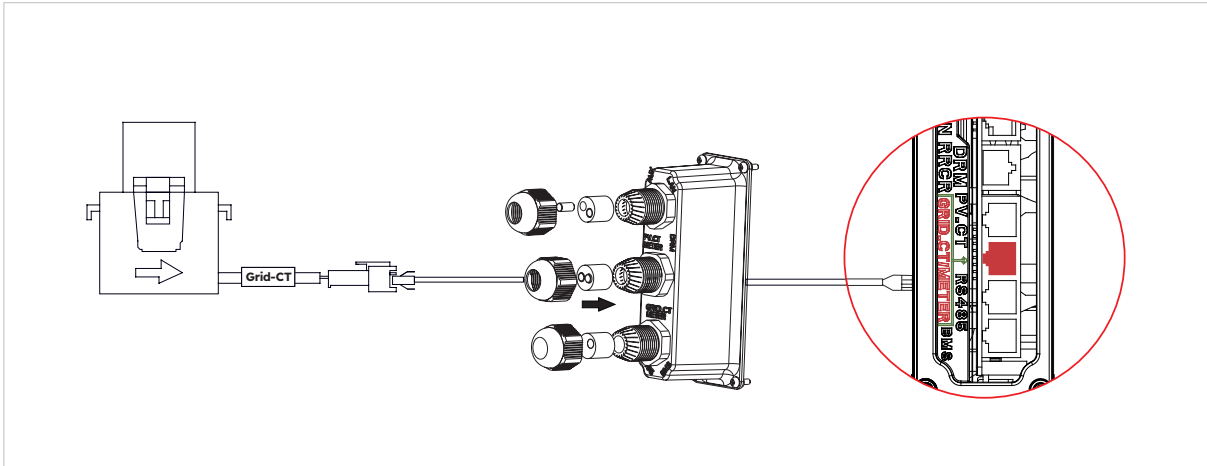


3. Lead the CT cable through the cable gland of the COM connection cover, don't tighten the swivel nuts of the cable glands.
4. Insert the RJ45 plugs to the relative RJ45 sockets.
5. Buckle the magnetic snap of the Grid CT on the house-service live cable. The arrow on the magnetic snap of the Grid CT should point to the grid port of inverter.
6. For hybrid or AC-coupled storage system application, buckle the magnetic snap of the PV CT on the live cable of the installed PV inverter. The arrow on the magnetic snap of the PV CT should point to the mains grid.
7. Connect the CT cables to the Grid CT and PV CT respectively.

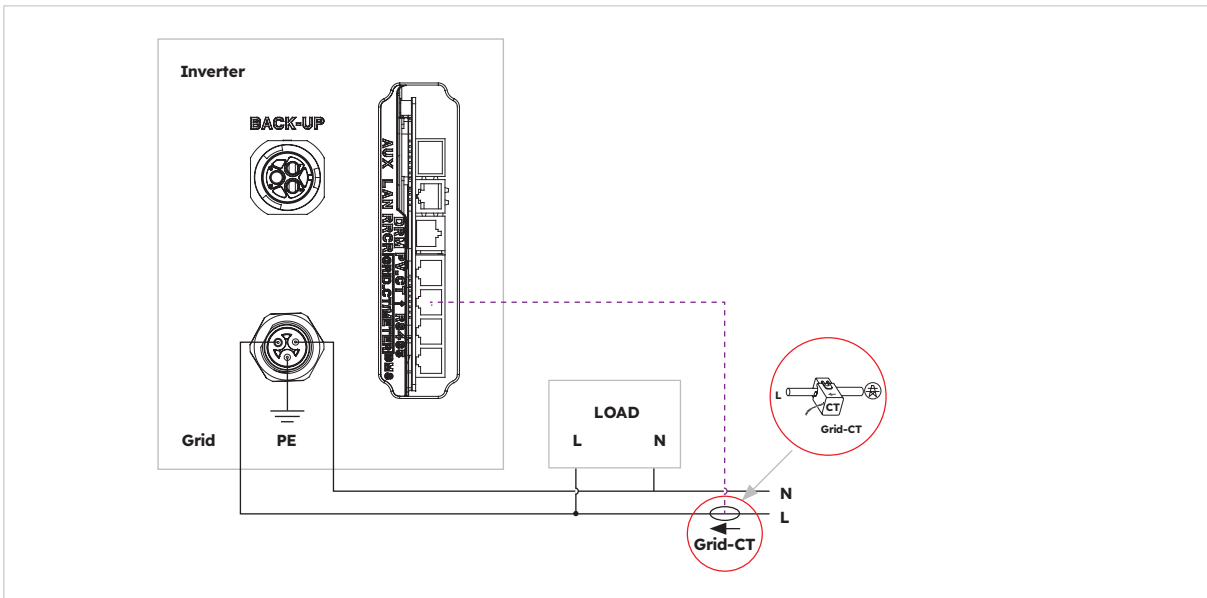


**TIP**

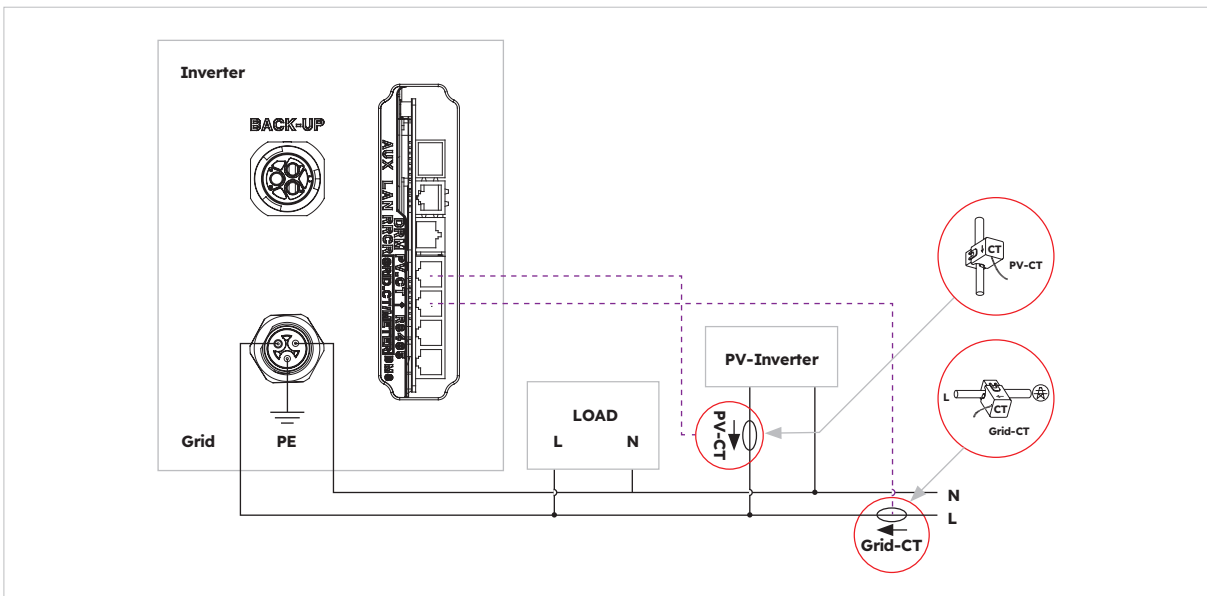
The CT cable marked Grid CT should be connected to the Grid CT, and the CT cable marked PV CT should be connected to the PV CT.



CT placement in DC-coupled Storage System



CT placement in AC-coupled and Hybrid-coupled Storage System



## 6.3.6. Meter Connection

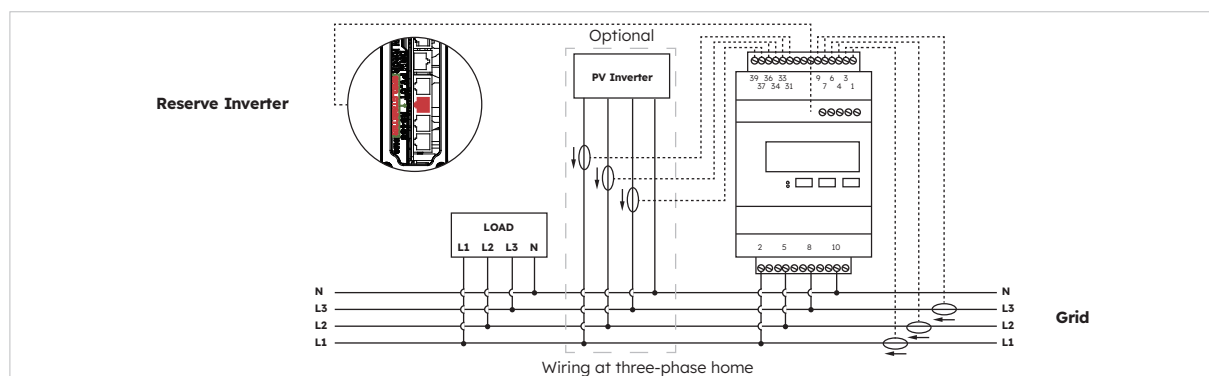
The system supports an external SunPower Reserve meter. The meter can be installed on a 1, 2 or 3 phase 4 wire 220-240V 120 grid supply.

A Sunpower Reserve meter is recommended where the grid measurement point is more than 20m from the Sunpower Reserve. A Sunpower Reserve meter can be located up to 80m from the Sunpower Reserve, connected via RS485 cabling.

The SunPower Reserve meter is supplied with six 100A current transformers (CT's). Three for monitoring the grid, three for monitoring a PV inverter. The meter has custom programming to communicate with the Sunpower Reserve.

Installing all six CT's is optional. For example, an installation with a 3 phase supply and a PV inverter on one phase will only need four CT's. Three Grid CT's would be installed to monitor the grid and one PV CT would be installed to monitor a PV inverter. Please refer to wiring diagrams for more information.

### Three-phase meter (with 6 CTs) connection and direction of CTs



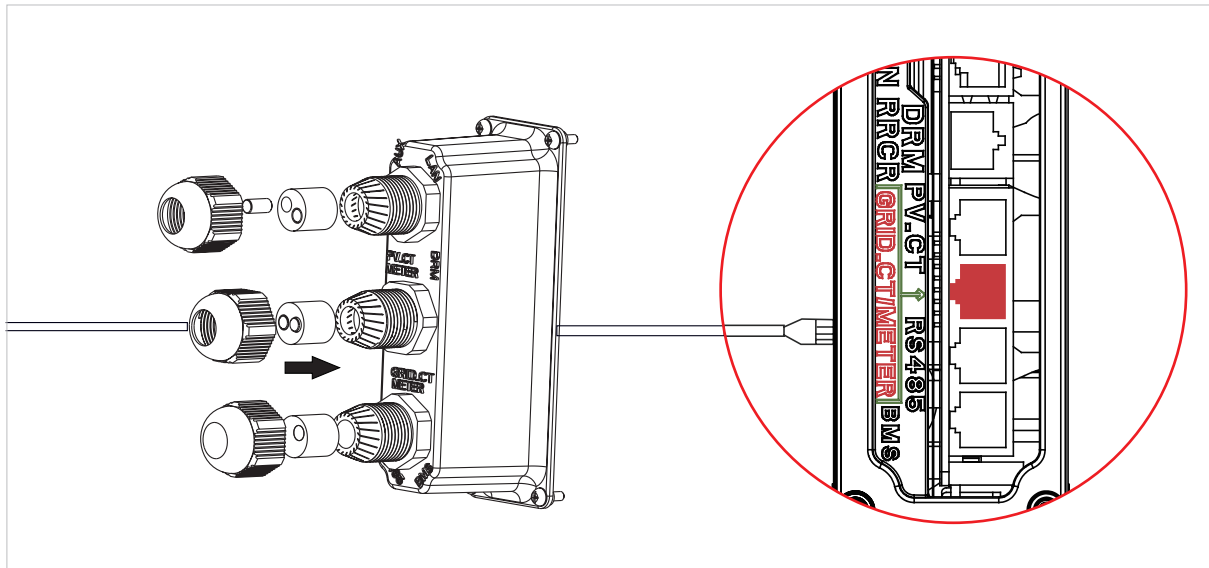
### Identification of CT wiring

The meter is supplied with 6 CTs that are labelled. Follow the table below to connect the CTs to the correct terminals of the meter.

Phase	GRID CT			PV CT			Grid	
	Label	Wire Colour	Meter Terminal	Label	Wire Colour	Meter Terminal	Label	Meter Terminal
L1	IA*	White	1	IA*	White	31	L1	2
	IA	Blue	3	IA	Blue	33	L2	5
L2	IB*	White	4	IB*	White	34	L3	8
	IB	Blue	6	IB	Blue	36	N	10
L3	IC*	White	7	IC*	White	37		
	IC	Blue	9	IC	Blue	39		



## Connection to the inverter



## Meter Setting on SunPower One App for commissioning

During the commission process, “Meter” must be selected for meter option instead of “CT” which is default value.

## Troubleshooting

Loads not measuring correctly	Turn off PV. Unclip L2 and L3 Grid CT's. Use a current clamp to confirm measurement matches the web portal realtime data. If not make sure the Meter Voltage supply terminals (2,5,8,10) are wired correctly, L1 should be wired to pin 2 of the meter with Neutral connected to Pin10. Check the CT is not reversed. Repeat for each phase.
CT's left unused after install	CT's are only required where a measurement is required. e.g if a single phase PV inverter is installed on L2 only, then L2 PV CT is required, L1 & L3 PV CT's are not.
Low measurements on L2 & L3	Make sure all supply phase voltages are connected to the meter e.g meter terminals 5 & 8 connected to L2 and L3 on a 3 phase site.

## 6.4 PV Connection

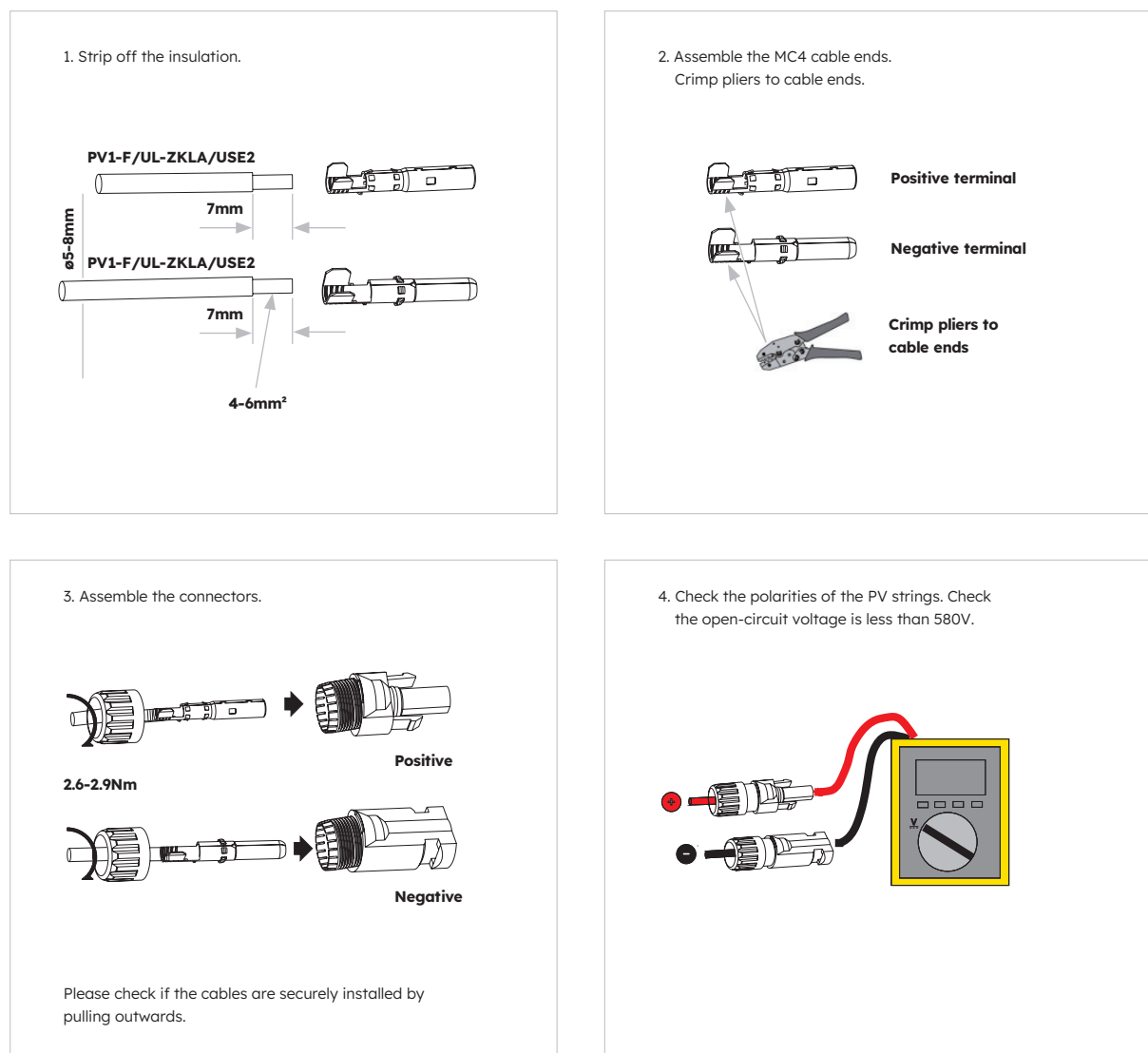
Please ensure the follows before connecting PV strings to the inverter:

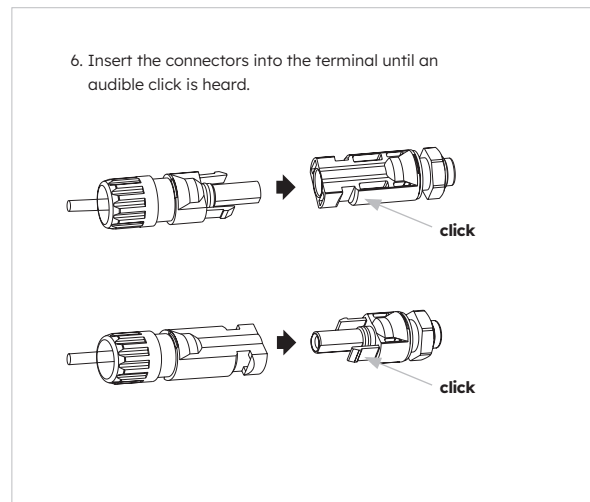
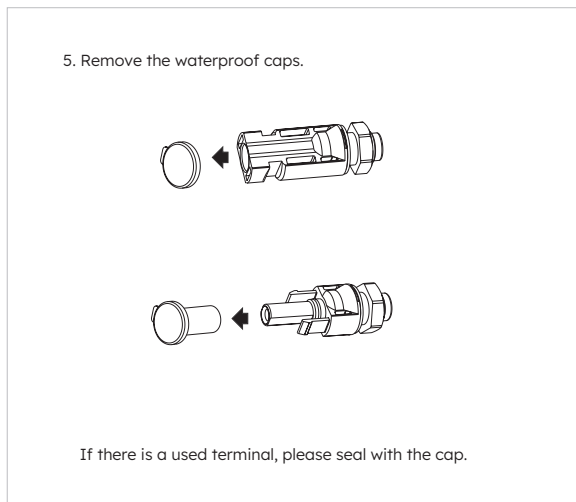
- Make sure the open voltage of the PV strings will not exceed the max. DC input voltage (580 VDC). Violating this condition will void the warranty.
- Make sure the polarity of the PV connectors is correct.
- Make sure the PV-switch, breakers of battery, AC-BACKUP and AC-Grid are all in their off-states
- Make sure the PV resistance to ground is higher than 200 k $\Omega$ .

The inverter includes Staubli MC4 PV connectors.

Please follow the picture below to assemble the PV connectors.

PV conductor cross section requirements: 4-6mm<sup>2</sup>



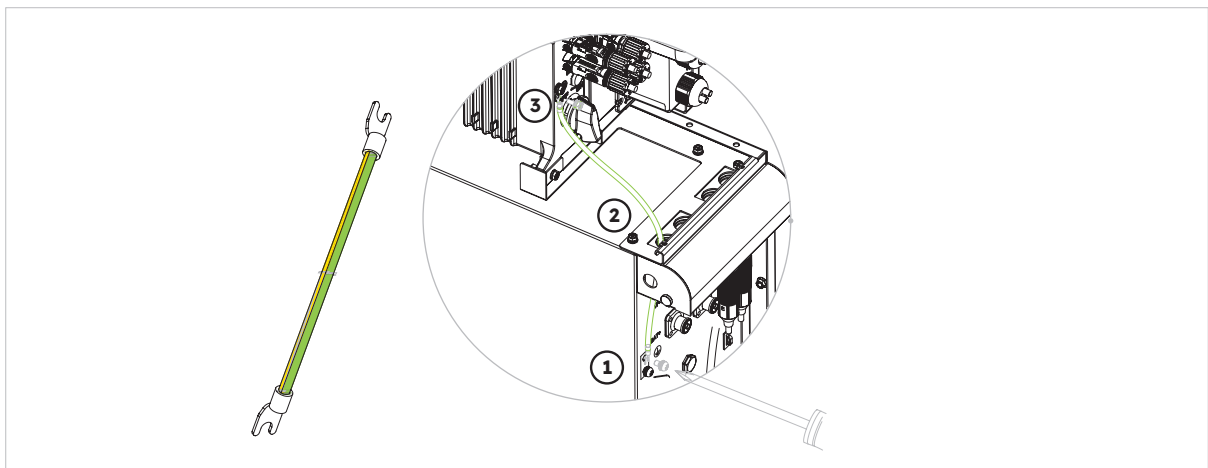


## 6.5 Electrical Connection Between the Inverter and Battery Packs

### 6.5.1. Electrical Connection Between the Inverter and First Battery

#### Electrical connection instructions:

1. Take out the Grounding cable from the inverter package.
2. Connect the Grounding cable to the inverter and battery packs.

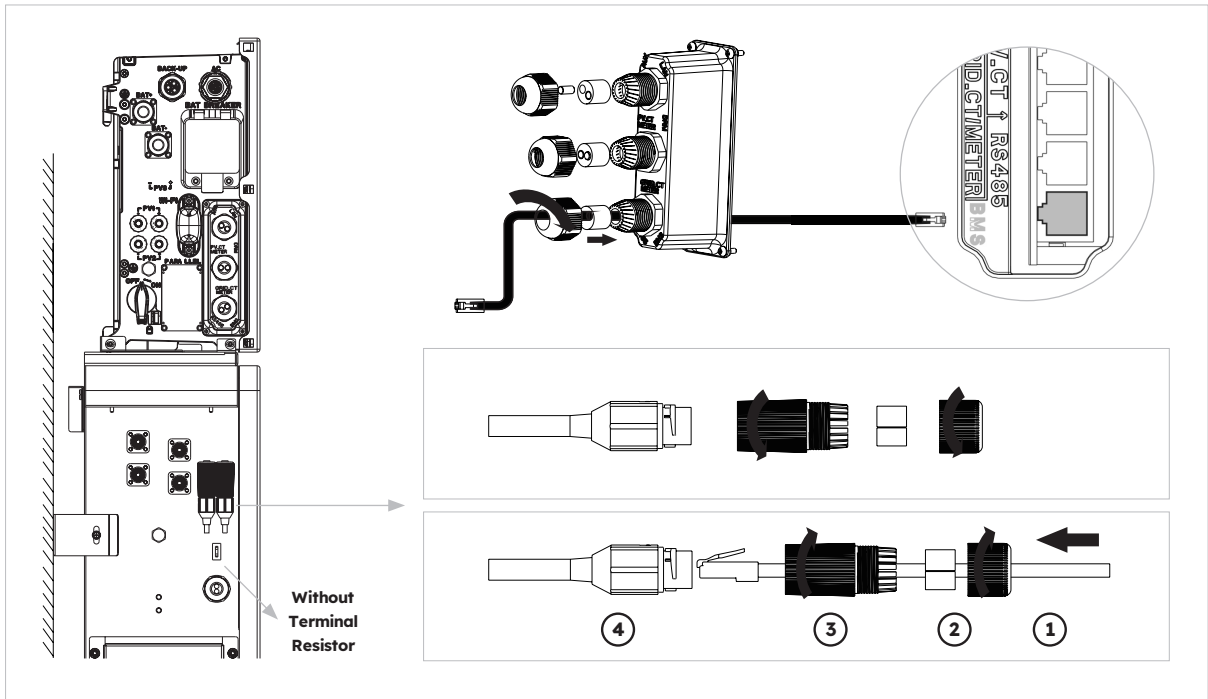


### 6.5.2. Communication cable connection

#### Communication connection instructions:

1. Take out the battery communication cable from the inverter package
2. Lead the battery communication cable through the cable gland of the COM connection cover of inverter, don't tighten the swivel nuts of the cable glands, insert the RJ45 plug to the BMS communication port of the inverter. Insert the other RJ45 plug to the relative RJ45 sockets provided by battery.

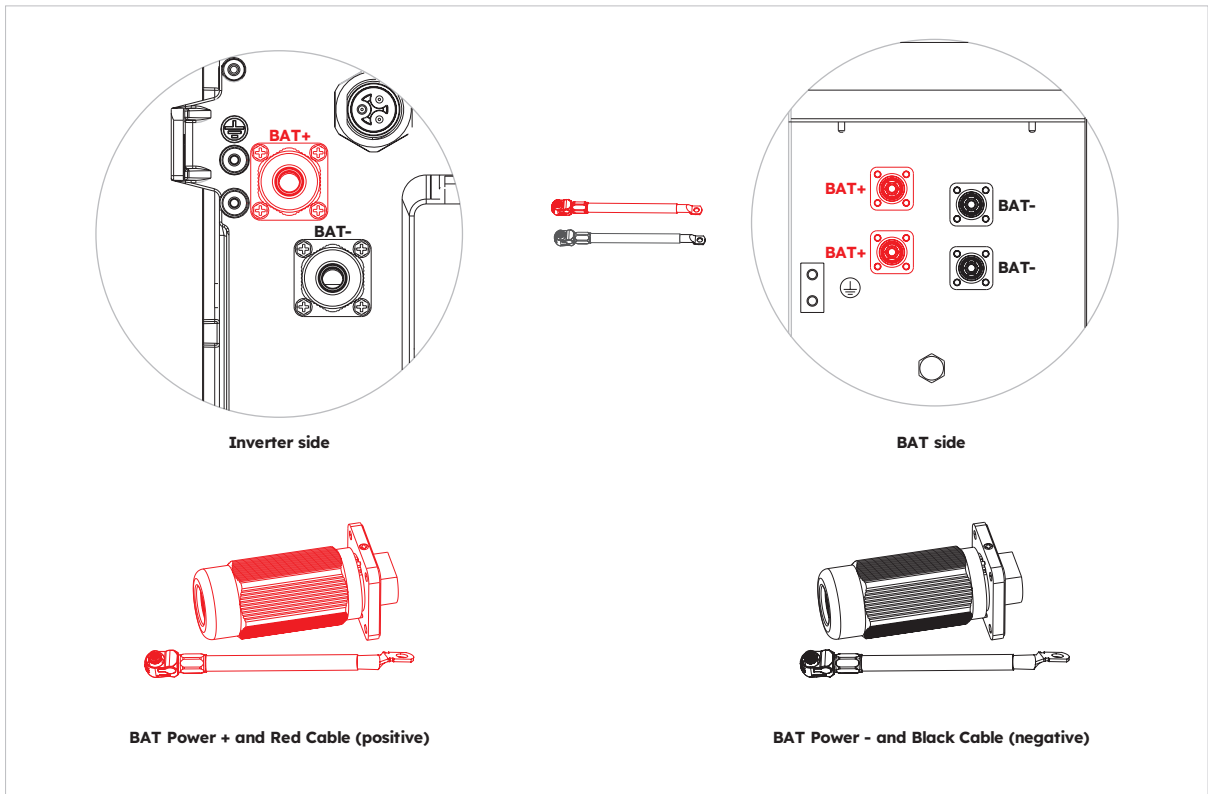
Note: The magnetic ring on the battery communication cable must be close to the inverter side.



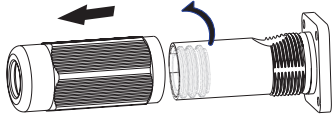
### 6.5.3. Power cable connection

#### Power cable connection instructions:

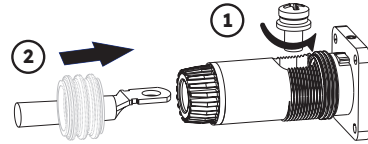
1. Take out the battery power cables from the inverter package.
  2. Remove the protective caps from the battery power connectors.
  3. Connect the battery power cables to the inverter and battery packs.
- Please pay attention to the connector polarity, red is for battery positive.



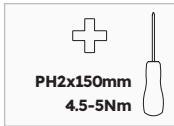
1.



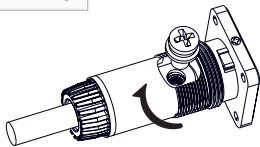
2.



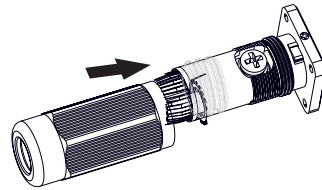
3.



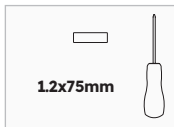
PH2x150mm  
4.5-5Nm



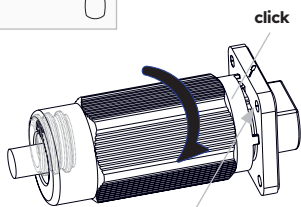
4.



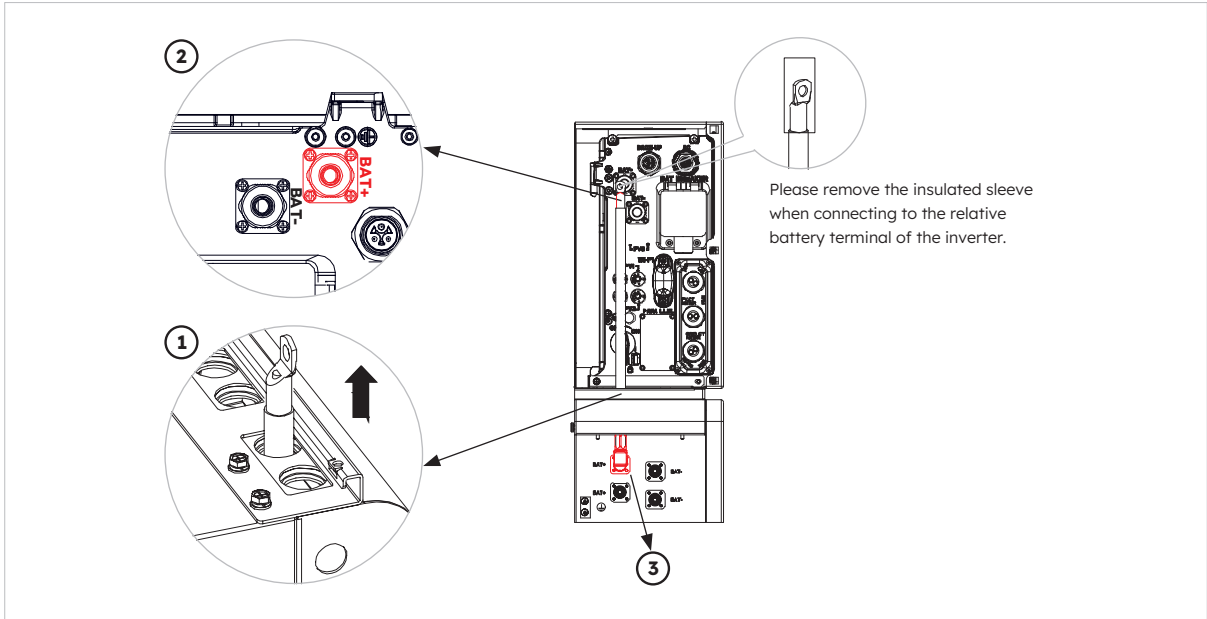
5.



1.2x75mm



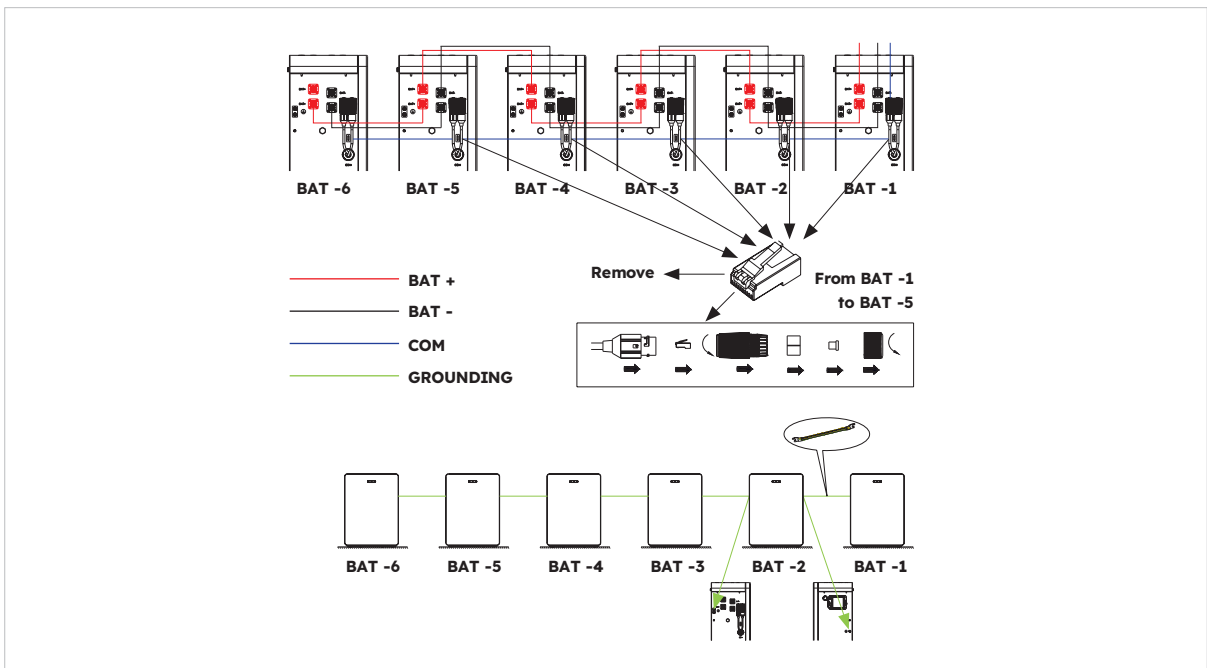
Press the buckle with a flat-head screwdriver when unscrewing the swivel nut



## 6.5.4. Electrical connection for expansion batteries

Electrical connection for expansion batteries up to 6 units as follows:

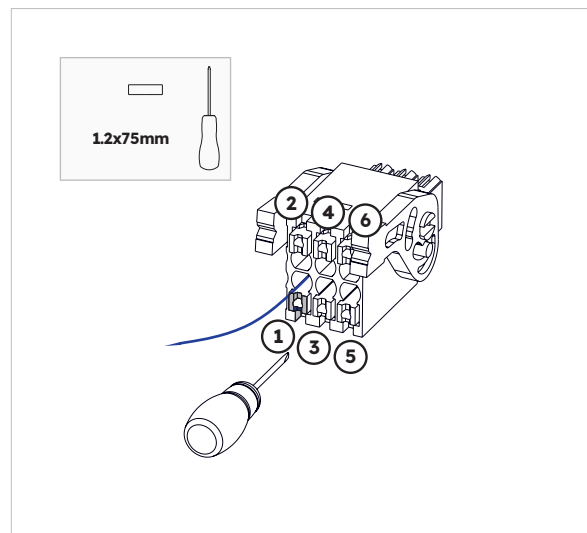
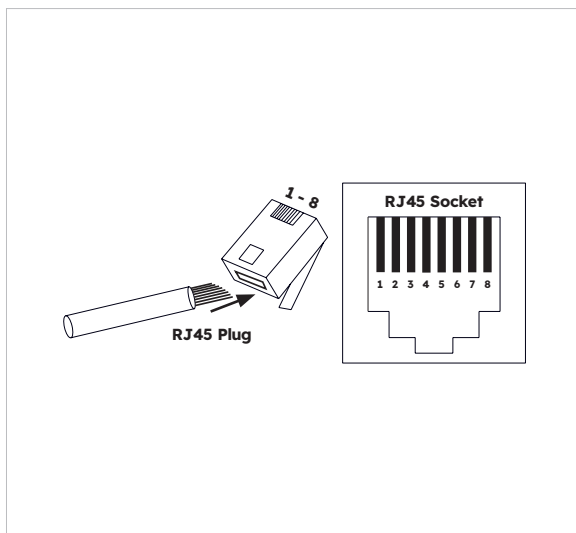
1. Take out the expansion battery power cables and communication cable from the battery package.
2. Remove the protective caps from the battery power connectors. Connect the battery power cables to the two batteries.
3. Please pay attention to the connector polarity, red is for battery positive.
4. Insert the RJ45 plugs to the relative RJ45 sockets provided by batteries.
5. Only retain the terminal resistor of the last battery, remove the other terminal resistor.
6. Please do grounding connection between two batteries by reference to the corresponding section 6.2.



## 6.5.5. Other Communication Connection of Inverter

For other communication (AUX, LAN, DRM, RS485) connection, please follow the below steps:

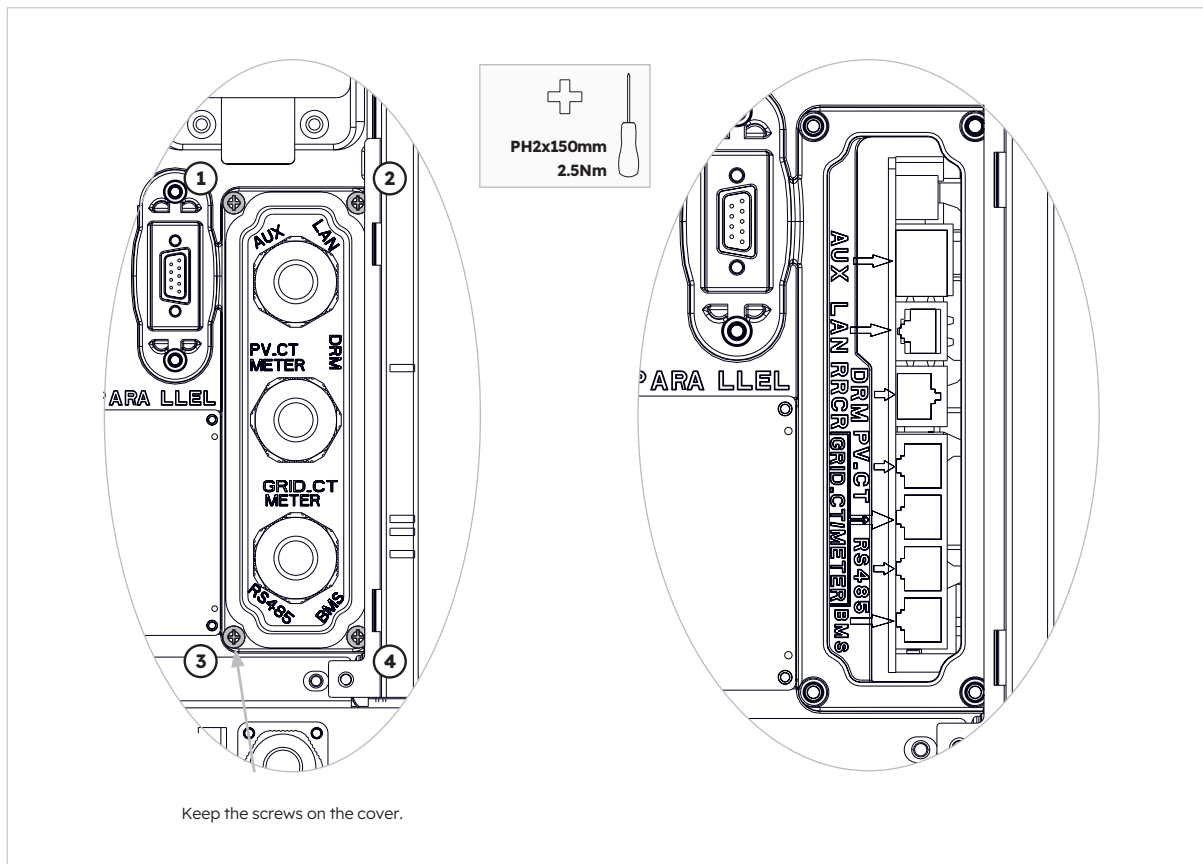
1. Loosen the cable glands on the COM connection cover, and then unscrew the 4 screws on the COM connection cover.
2. Lead the communication cables through the cable glands of the COM connection cover, don't tighten the swivel nuts of the cable glands. Insert the RJ45 plugs to the relative RJ45 sockets.
  - a. If DRM support is specified, the system may only be used in conjunction with a Demand Response Enabling Device (DRED). This ensures that the system always implements the commands from the grid operator for active power limitation. The system and the Demand Response Enabling Device (DRED) must be connected in the same network.  
Only DRM0 is available for this product.
  - b. Take out 6 pin terminal block for AUX connection. To do wiring connection, insert a screwdriver (blade width: 1.2 mm) into the relative connection position side. For AUX position definition, please see the AUX wiring documentation.



3. Place the COM connection cover against the inverter housing and tighten the 4 screws, at last secure the swivel nut of the cable glands.

The pin definition of the communication ports:

Port	Pin Numbers							
AUX	1	2	3	4	5	6	7	8
	DO1_NO	DO1_COM	DO1_NC	DI_negative	DI_positive	GND		
DRM RRCR	1	2	3	4	5	6	7	8
	DRED 1/5	DRED 2/6	DRED 3/7	DRED 4/8	REF GEN/0	COM LOAD/0	/	/
PV_CT	1	2	3	4	5	6	7	8
	/	/	RS485_A7	/	/	RS485_B7		/
GRID_ CT METER	1	2	3	4	5	6	7	8
	/	/	RS485_A7	/	/	RS485_B7		/
RS485	1	2	3	4	5	6	7	8
	/	/	/	RS485_B5	RS485_A5	/	/	/
BMS	1	2	3	4	5	6	7	8
	/	RS485_A4	/	CAN1_H	CAN1_L	/	RS485_B4	/



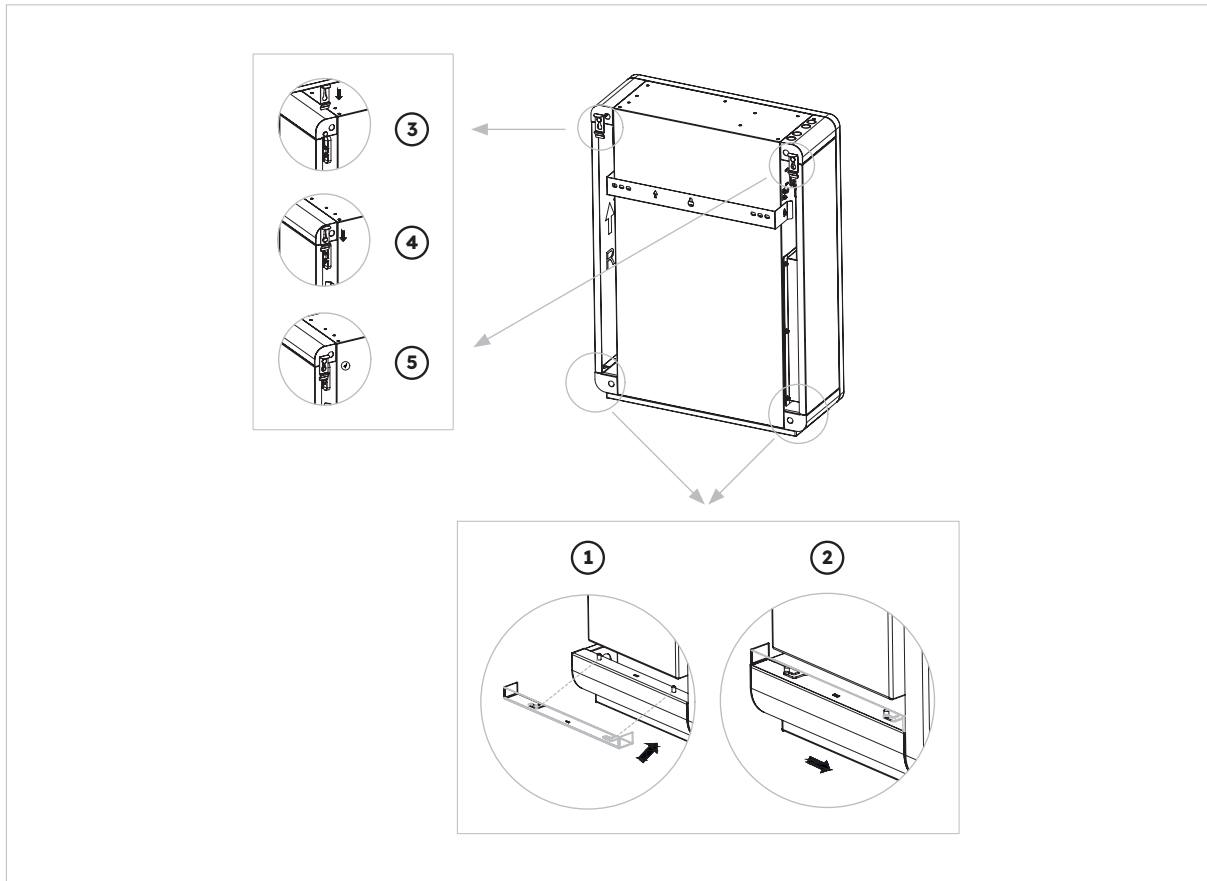


## 6.6. Mounting the Battery and Inverter Facade

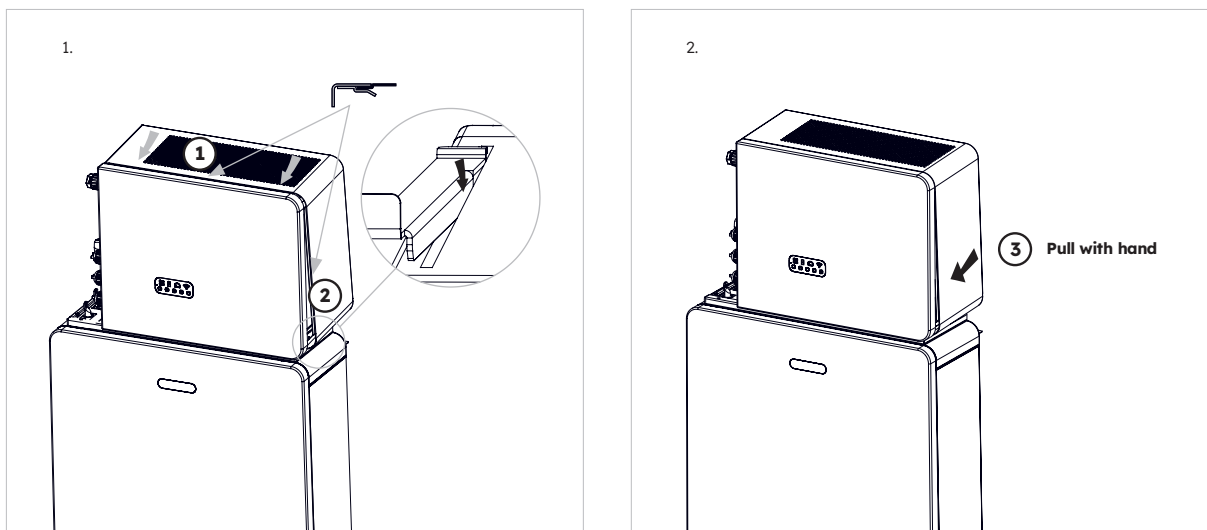
After finishing electrical connection of the energy storage system, do the following operations.

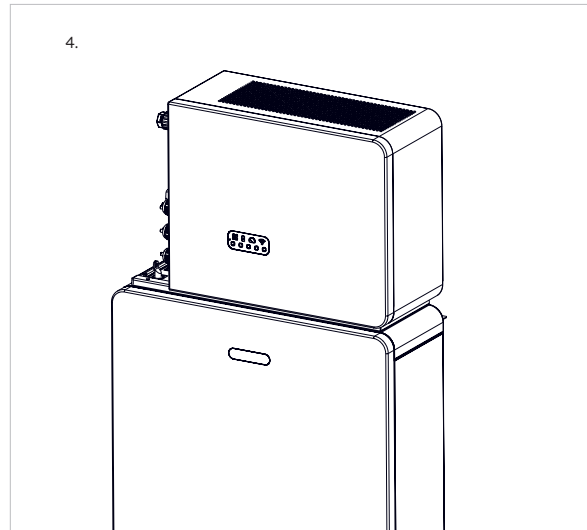
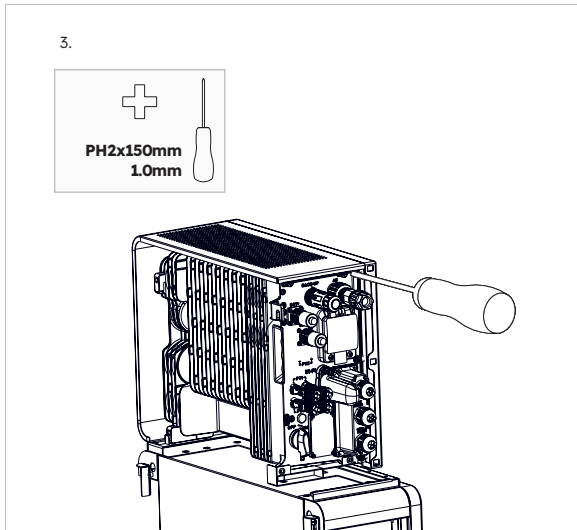
### Instructions:


1. Mounting the side plates of the battery



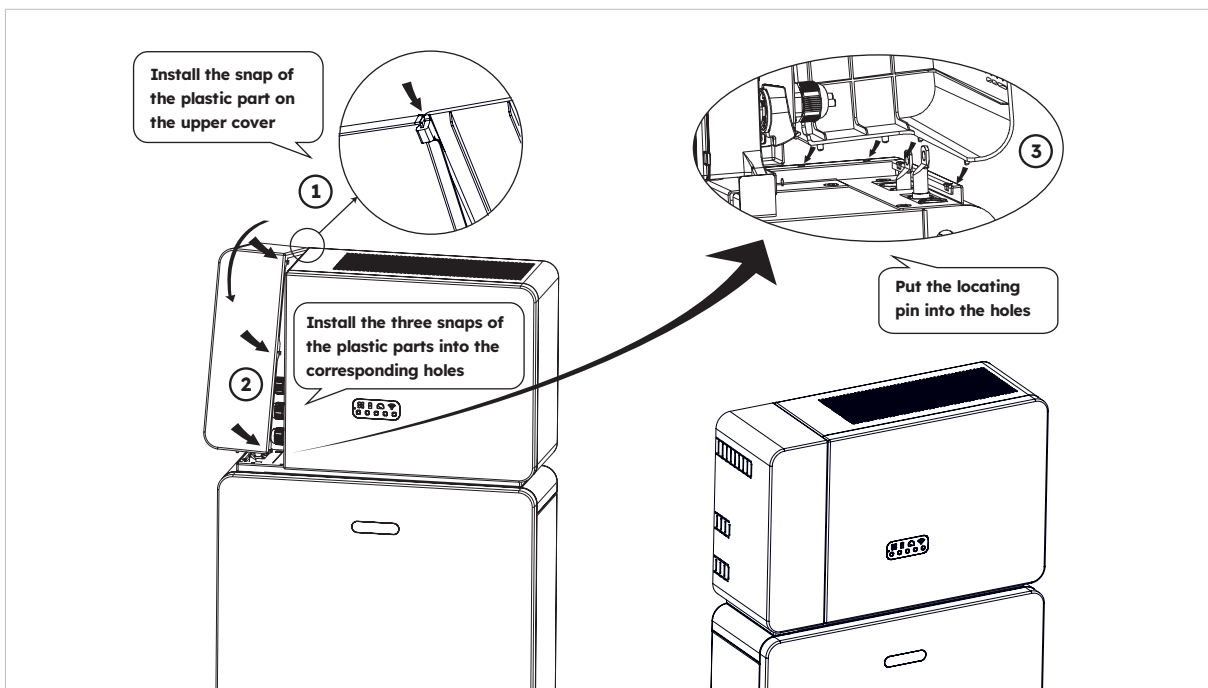
2. Install the top cover of the inverter






**TIP**  The serial number and check code of the inverter is located on right side of the inverter. Make sure that you have made a note of them before installing this cover.

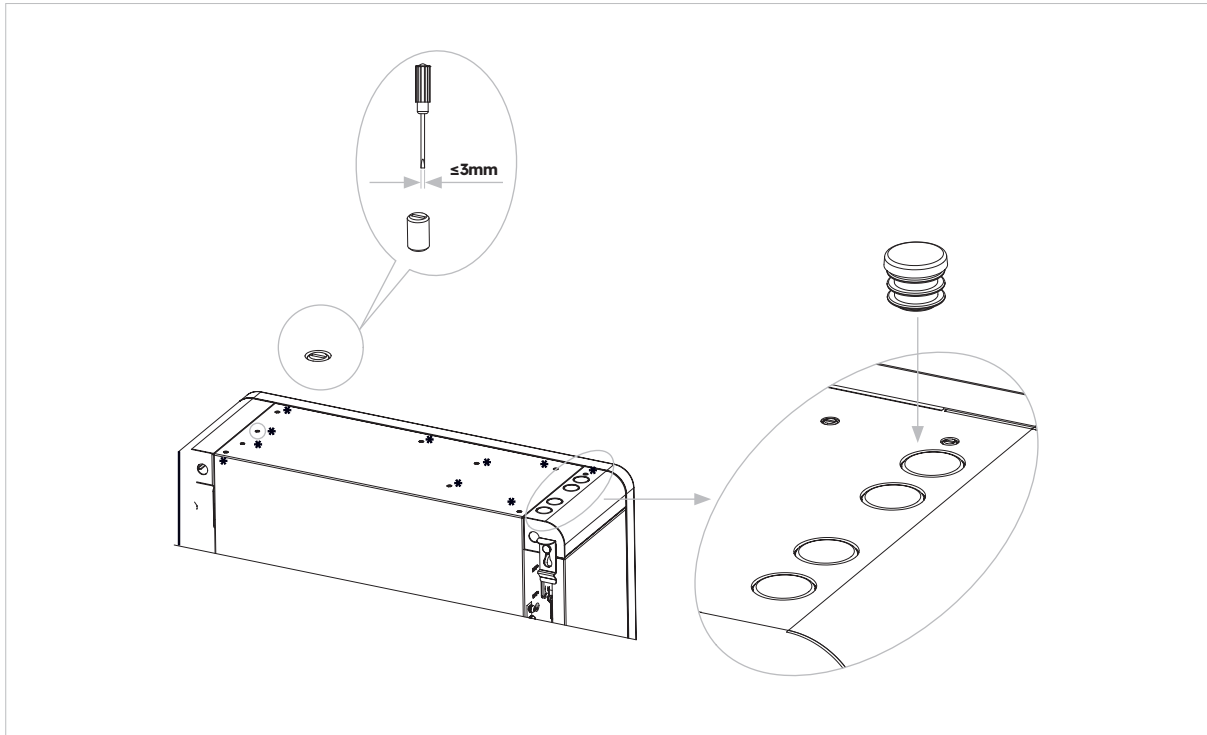
3. Install the left cable cover of the inverter



**TIP**  Make sure all the wiring is secure and the system is working properly and then install the top cover on the left side of the inverter.

## 6.7. Mounting the Screw Plugs

If more than one battery is installed, you can perform the following operations to improve the appearance of the battery top.



## 7.0 Startup and Shutdown procedure

### 7.1. Startup procedure

1. Switch ON the BATTERY CIRCUIT BREAKER on the right side of the battery. Repeat for additional batteries in sequential order.
2. Switch ON the BATTERY SYSTEM ISOLATOR which is on the left side of the inverter under housing top cover.
3. Press the BATTERY START BUTTON for 1s on BATTERY 1. It is located next to the battery circuit breaker(s). Repeat for additional batteries in sequential order, within 5s.
4. Switch ON the AC GRID SUPPLY to the inverter.
5. Switch ON the AC BACKUP SUPPLY from the inverter if installed.
6. Switch ON the PV ISOLATOR on the left side of the inverter if PV connected to the inverter directly.

### 7.2. Shutdown procedure



**DANGER**

After the energy storage system is powered off, the remaining electricity and heat may still cause electric shocks and body burns. Therefore, put on protective gloves and wait for the product 5 minutes after the power-off.

#### **Procedure**

1. Set the Changeover switch to MAINS to supply loads from the GRID, if installed.
2. Switch OFF the AC BACKUP SUPPLY from the inverter if installed.
3. Switch OFF the AC GRID SUPPLY to the inverter.
4. Switch OFF the PV ISOLATOR on the left side of the inverter if PV connected to the inverter directly.
5. Switch OFF the BATTERY SYSTEM ISOLATOR which is on the left side of the inverter.
6. Switch OFF the BATTERY CIRCUIT BREAKER for each battery.
7. Hold the battery start button in for 6s to turn off each battery. It is located next the BATTERY CIRCUIT BREAKER.

### 7.3. Checks before start-up

No.	Check Item	Acceptance Criteria
1	Mounting environment	The mounting space is proper, and the mounting environment is clean and tidy, without foreign objects.
2	Battery pack and inverter mounting	The battery pack and inverter are mounted correctly, securely, and reliably.
3	WiFi mounting	The WiFi module is mounted correctly, securely, and reliably.
4	Cable layout	Cables are routed properly as required by the customer.
5	Cable tie	Cable ties are secured evenly, and no burr exists.
6	Grounding	The ground cable is connected correctly, securely, and reliably.
7	Switch and breakers status	The PV switch (if there is any) and battery breakers and all the breakers connecting to the product are OFF.
8	Cable connections	The AC cables, PV cables (if there is any), battery power cables, and communication cables are connected correctly, securely, and reliably.
9	Unused power terminals	Unused power ports and communication ports are blocked by watertight caps.

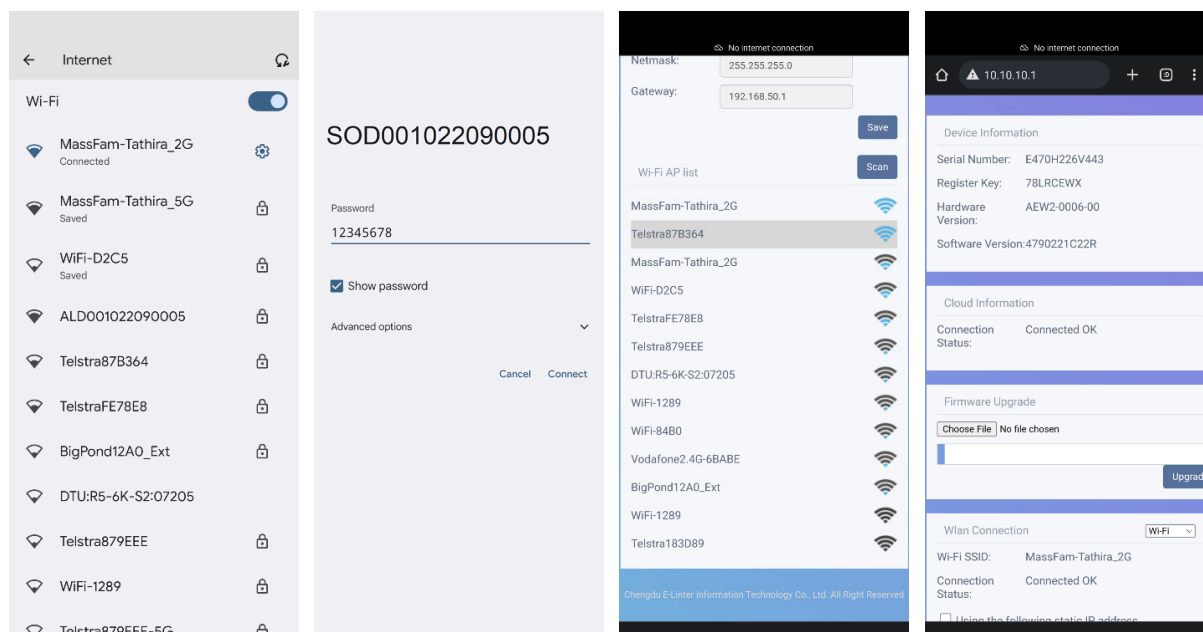
## 8.0 Set up a new System (Commissioning)

### 8.1 Connect Reserve to internet

To initiate the commissioning process for the recently installed SunPower Reserve, it is essential to establish a functional data connection which is also required for ongoing monitoring. The SunPower Reserve offers two methods of data connection: Ethernet and Wi-Fi.

If you opt for an Ethernet connection, no additional configuration is necessary. However, if you prefer a Wi-Fi connection, please adhere to the following steps to connect the system to the homeowner's Wi-Fi network:

1. On your mobile device, access the Wi-Fi settings and locate the Wi-Fi network associated with the SunPower Reserve unit. This network is identifiable by the Serial Number of the unit.
2. Connect to the Reserve unit network using the default password: 12345678.
3. Once connected, launch your mobile browser and enter the IP address of the SunPower Reserve: 10.10.10.1. This action will display a simple interface enabling the connection of the Reserve unit to the on-site Wi-Fi network.
4. Tap the 'scan' option at the bottom of the screen to search for available networks.
5. From the list of displayed networks, select the desired network to which the Reserve unit will connect, and input the corresponding Wi-Fi password.
6. Once the connection is successfully established, the interface will provide a confirmation message stating 'Connected OK.'



By following these instructions, the SunPower Reserve can be effectively connected and configured for operation.

If SunPower Reserve has for some reason lost its connection to the internet, for example if the customer changes the Wi-Fi password, the steps above will also allow customers to reset the internet connection of SunPower Reserve.

## 8.2 Download and Install the SunPower One app

1. Android device users can download the SunPower One app from Google Play.
2. iOS device users can download the SunPower One app from the Appstore



**TIP**

Commissioning tools including login details are only available to installers that have completed the necessary training modules.

## 8.3 Commissioning SunPower Reserve

Before commencing, ensure that the Reserve system is correctly installed and has a functional data connection.

Below is a summary of the steps required to successfully commission the SunPower Reserve. Please refer to the following instructions:

1. Launch the SunPower One app and log in using your SunPower One username (email) and password.
2. On the home screen, tap „start“ to initiate the commissioning process for a new system.
3. On the subsequent screen, enter the email address of the customer for whom you are installing the system. This email will be utilized to pre-configure the customer account required for logging into the SunPower One app. It is crucial to verify the accuracy of the email with the customer and ensure that they can access it on their mobile device.
4. Select the appropriate system configuration as outlined in section 3.3, and follow the app's provided steps to complete the activation and configuration of your installation.
5. Once the Reserve setup is complete, a confirmation email will be sent to the customer. This email will contain a link to the SunPower One app, enabling the customer to activate their SunPower One account and enjoy the comprehensive SunPower One experience.

Please follow the above steps to effectively commission the SunPower Reserve system.



**CAUTION**

### **The safety standard must be set correctly**

If you select a safety standard which is not valid for your country and purpose, it can cause a disturbance in the energy storage system and lead to problems with the grid operator. When selecting the safety standard, you must always observe the locally applicable standards and directives as well as the properties of the PV system (e.g., PV system size, grid connection point). If you are not sure which safety standard is valid for your country or purpose, contact your grid operator for information on which safety standard is to be configured.

**TIP**

In step 4 of commission process, available parameters changes depending on configuration selected. It is important to check correct values are interested at this stage.

## 8.4 Switch On the System and Check System Status

Please make sure the PV switch and battery breakers and all the breakers connecting to the product are ON.

## 8.5 Check the AC backup (if available)

Switch ON an electrical appliance connected on the backup load port of the energy storage inverter.

Switch ON the AC breaker on the backup port of the energy storage inverter.

Switch OFF the external AC breaker between the grid and the energy storage inverter.

The product will enter the AC-Backup mode at once.

Check if the electrical appliance on the backup side continues to operate.

**CAUTION**

During commissioning, if the LED indicators on the display panel of the inverter show red or the LED indicators on the display panel of the battery is yellow, please refer to the troubleshooting section (9.0)

## 8.6 Instruct the End User to Install the SunPower One App

Please make sure that the home owner has downloaded the APP and activated their account via the welcome email.

**TIP**

The warranty registration of the SunPower Reserve is completed when the home owner has activated their customer account



## 9.0 Maintenance and Troubleshooting

### 9.1 Routine Maintenance

To ensure that the energy storage system can operate properly in the long term, you are advised to perform routine maintenance on it as described in this chapter.

Check Item	Acceptance Criteria	Maintenance Interval
Product cleanliness	The heatsink on the back of the inverter and vent covers are clean and free from obstruction.	6 months
Product visible damage	The product is not damaged or deformed.	6 months
Product running status	1. The product operates with no abnormal sound. 2. All parameters of the product are correctly set. Perform this check when the product is running.	6 months
Electrical connections	1. Cables are securely connected. 2. Cables are intact and undamaged. 3. Unused cable glands are sealed.	6 months



Disconnect the system from all power sources before cleaning. Clean the housing, cover and display with a soft cloth.

Risk of burns due to hot enclosure and cover of the inverter

The enclosure and cover of the inverter can get hot during operation.

During operation, do not touch any parts other than the side covers. Wait approx. 30 minutes before cleaning until the inverter has cooled down.

### 9.2 Troubleshooting

To maintain the accuracy of the SOC, it may be required to fully charge the battery. This will reset the battery's SOC.

## 9.2.1. Inverter Error Troubleshooting

Error No.	Error description	Solution
4	Inverter_lost	Inverter communication lost <ol style="list-style-type: none"> <li>1. Restart the system and check whether the fault has been cleared.</li> <li>2. Contact the customer service to remotely update the inverter EMS and DSP program, after that confirm whether the fault continues.</li> <li>3. If the fault can't be cleared, please contact the service center for further check.</li> </ol>
100000	Grid_OVP	<ol style="list-style-type: none"> <li>1. Check whether Grid is abnormal.</li> <li>2. Confirm whether the grid cable connection is normal.</li> <li>3. Restart inverter and check whether the fault is existing.</li> </ol>
100001	Grid_UVP	
100002	Grid_OFP	
100003	Grid_UFP	
100005	BUS_OVP1	Check whether the input voltage of PV1 and PV2 exceeds 580 V. If the first one does not exist, restart the inverter to see if the fault still exists. If it still exists, please call the service center.
100007	Insulation_fault	<ol style="list-style-type: none"> <li>1. Check whether PV cable connection is reliable.</li> <li>2. Check whether PV cable is damaged.</li> </ol>
100008	GFCI_fault	<ol style="list-style-type: none"> <li>1. Restart inverter and check whether the fault is existing.</li> </ol>
100010	GFCI_fault	
100011	Over_Temperature	<ol style="list-style-type: none"> <li>1. Check whether the environment around inverter is with poor heat dissipation.</li> <li>2. Confirm whether inverter installation meet the installation requirements.</li> </ol>
100012	PV_Reverse	<ol style="list-style-type: none"> <li>1. Check whether the PV terminal of the inverter is reversed.</li> <li>2. If the PV terminal is right, please call the service center.</li> </ol>
100013	BAT_Reverse	<ol style="list-style-type: none"> <li>1. Check whether the PV terminal of the inverter is reversed.</li> <li>2. If the PV terminal is right, please call the service center.</li> </ol>
100017	MPPT1_OVP	Check the PV1 voltage. If it exceeds 585 VDC, reduce the number of PV modules.
100021	MPPT2_OVP	Check the PV2 voltage. If it exceeds 585 V, reduce the number of PV modules
100025	BAT_OVP	Check whether the actual battery voltage exceeds the battery charging cut-off voltage by more than 20 V.
100026	BAT_UVP	Check whether the actual battery voltage is lower than the battery discharge cut-off voltage.
100027	Battery_lose	Confirm that the wiring is normal, and check whether the battery voltage sampling value is less than 75 V.

Error No.	Error description	Solution
100042	Output_short_circuit	<ol style="list-style-type: none"> <li>1. Use a multimeter to test the impedance of the offgrid output. If it is small, check whether the wiring is correct.</li> <li>2. Restart the inverter to see if the fault still exists. If it still exists, please call the service center.</li> </ol>
100043	Output_overload	Check whether the load exceeds the rated power. Restart the inverter to see if the fault still exists. If it still exists, please call the service center.
100052	Backup_ovp	Restart the inverter to see if the fault still exists. If it still exists, please call the service center.
7	BMS lost	<p>BMS lost</p> <ol style="list-style-type: none"> <li>1. Check whether the BMS communication connection between the battery and the inverter is normal.</li> <li>2. Check if the battery is switched on</li> <li>3. If the fault can't be cleared, please contact the service center for further check.</li> </ol>
60002	Circuit_Breaker_Open	Try to switch on all batteries breakers, If the action cannot solve the problem, please contact customer service.
60004	Slave_Battery_Communication_Lost	Check the communication cables between batteries
60006	Master_Battery_Communication_Lost	
60008	Multi_Master_error	
5	Grid meter lost	<p>Grid side meter lose</p> <ol style="list-style-type: none"> <li>1. Check whether the system configuration parameters are correct and whether the meter is used on the grid side</li> <li>2. Check whether the communication cable of the grid meter is connected correctly (RS485: 3A6B).</li> <li>3. Check whether the communication configuration parameters of the grid meter is correct (communication address and baud rate).</li> <li>4. If the fault can't be cleared, please contact the service center for further check.</li> </ol>
6	PV meter lost	<p>PV inverter side meter lose</p> <ul style="list-style-type: none"> <li>• 1. Check whether the system configuration parameters are correct and whether the meter is used at the PV inverter side</li> <li>• 2. Check whether the communication configuration parameters of the meter of PV inverter side is correct (communication address and baud rate). (RS485: 3A6B).</li> <li>• 3. Check whether the communication configuration parameters of the meter of PV inverter side is correct (communication address and baud rate).</li> <li>• 4. If the fault can't be cleared, please contact the customer service center for further check.</li> </ul>

## 9.2.2. Inverter Error Description
















The four LEDs in the upper row are system (SYS), battery (BAT), meter (METER), and communication (COM).

The five LEDs in the lower row are divided into two functions:

Battery SOC of all batteries in the energy storage system

When an error occurs, the corresponding error code will be displayed. From right to left, the numbers represented by each light are 1, 2, 4, 8, 16.

LED Indicator	Error Code	LED Display	Description
SYS red is fast blink	4		Inverter lost
SYS red light is ON; METER light flashing quickly if Grid meter lost. SYS red light is ON;	5		Grid meter lost
METER light flashing slowly if PV meter lost; METER light is OFF if all meters lost;	6		PV meter lost
SYS red light is ON, bat is off	7		BMS lost
Inverter is faulty, SYS red flashing quickly	100000		Grid_OVP
Inverter is faulty, SYS red flashing quickly	100001		Grid_UVP
	100002		Grid_OFP
	100003		Grid_UFP
Inverter is faulty, SYS red flashing quickly	100005		BUS_OVP1
	100007		Insulation_fault
	100008		GFCI_fault
	100010		Grid_relay_fault

LED Indicator	Error Code	LED Display	Description
	100011		Over_Temperature
	100012		PV_Reverse
	100013		BAT_Reverse
	100017		MPPT1_OVP
	100021		MPPT2_OVP
Inverter is faulty, SYS red flashing quickly	100025		BAT_OVP
	100026		BAT_UVP
	100027		Battery_lose
	100042		Output_short_circuit
	100043		IOutput_overload
	100052		Backup_ovp
SYS red light is ON, BAT light is flashing during battery is faulty.	60002		Circuit_Breaker_ OpenCircuit Breaker_ Open
	60004		Slave_Battery_ Communication_Lost
	60006		Master_Battery_ Communication_Lost
SYS red light is ON, BAT light is flashing during battery is faulty	60008		Multi_Master_error

**TIP**

1. The four LEDs in the first row are system (SYS), battery (BAT), meter (METER), and communication (COM);
2. The five LEDs in the second row are divided into two functions:
  - Battery SOC power display
  - When a fault occurs, the corresponding fault code will be displayed.

### 9.2.3. Battery Protection Description

The three LED indicators on the battery front cover provide information about the protection status of the battery with lights displaying solid yellow or flashing.

Symbol	Description
	Flashing yellow LED
	On yellow LED
	Off LED

LED Indicator	Protection No.	LED Display	Description	Troubleshooting
Yellow LEDs on or Yellow LEDs flash once per second	1		Temperature difference	Wait for automatic recovery. If the problem is not solved yet, please call the service center.
	2		High temperature	Stop discharging and charging until this display state is eliminated and wait for the temperature to drop.
	3		Low temperature discharge	Stop discharging until this display state is eliminated and wait for the temperature to rise
	4		Over-current charge	Wait for automatic recovery. If the problem is not be solved yet, please call the service center.
	5		Over-current discharge	
	6		Cell overvoltage	
	7		Cell under voltage	Stop discharging and call the service immediately.
	8		Low temperature charge	Stop discharging until this display state is eliminated and wait for the temperature to rise.



**TIP**

In the case of work mode, if the protection status “Cell under voltage” appears, please press the power button 5 times within 10 seconds, the BMS will be forced to turn on the MOSFET of discharge so that the inverter can detect the battery open voltage and charge the battery.

## 9.2.4. Battery Error Description

LED Indicator	Error No.	LED Display	Description	Troubleshooting
Yellow LEDs on or Yellow LEDs flash once per second	Error 01		Hardware error	Wait for automatic recovery. If the problem is not solved yet, please call Error 05 Hardware error the service center.
	Error 05		Hardware error	
	Error 06		Circuit breaker open	Switch on circuit breaker after powering off the battery.
	Error 08		LMU disconnect (slave)	Reconnect the BMS communication cable.
	Error 09		SN missing	Contact your installer or customer service.
	Error 10		LMU disconnect (master)	Reconnect the BMS communication cable.
	Error 11		Software version inconsistent	Contact your installer or customer service.
	Error 12		Multi master	Restart all batteries.
	Error 13		MOS over temperature	Power off the battery and power on the battery after 30 minutes.
	Error 14		Insulation fault	Restart battery and in case the problem is not resolved, please contact your installer
Error 15		Total voltage fault	Restart battery and in case the problem is not resolved, please contact your installer or customer service.	



**TIP**

In the case of work mode, if the protection status “Cell under voltage” appears, please press the power button 5 times within 10 seconds, the BMS will be forced to turn on the MOSFET of discharge so that the inverter can detect the battery open voltage and charge the battery.

## 10.0 Uninstallation & Return

### 10.1. Removing the Product

#### Procedure

1. Power OFF the energy storage system by following instructions in Chapter 7.2 Shutdown procedure of the System.
2. Disconnect all cables from the product, including all communication cables, PV power cables, battery power cables, AC cables, and PE cables.
3. Remove the WiFi module.
4. Remove the inverter from the top of the battery.
5. Remove the wall bracket of the battery.
6. Remove the battery.
7. Remove the wall bracket of the expansion battery if there is any.
8. Remove the expansion battery if there is any

### 10.2. Packing the Product

If the original packaging is available, put the product inside it and then seal it using adhesive tape. If the original packaging is not available, put the product inside a suitable cardboard box and seal it properly.

### 10.3. Disposing the Product

If the product service life expires, dispose of it according to the local disposal rules for electrical equipment and electronic component waste.

Dispose of the packaging and replaced parts according to the rules at the installation site where the device is installed.

Do not dispose the product with normal domestic waste.





## 11.0 Specification

### 11.1 Datasheet of Inverter

Item	RESERVE-INV-1-P5-L1-INT
<b>Input DC (PV side)</b>	
Recommended max. PV power	10000 W
Max. PV input voltage	580 V
Rated voltage	360 V
Start-up voltage	90 V
MPPT voltage range	100 - 550 V
Max. input current per MPPT	15 A / 15 A
Max. short circuit current per MPPT	18.75 A /18.75 A
MPPT number	2
Max. input strings number per MPPT	1
<b>Battery</b>	
Battery type	Li-ion
Battery voltage range	80 - 450 V
Maximum charging power	5 kW
Maximum charge/ discharge current	60 A / 60 A
Communication	CAN
<b>Output AC (Back-up)</b>	
Rated output power	5 kW
Max. apparent output power	5 kVA
Back-up switch time	< 20 ms
Rated output voltage	L/N/PE, 230 V
Rated Frequency	50/60 Hz
Rated output current	21.7 A
THDv(@linear load)	3%

Item	RESERVE-INV-1-P5-L1-INT
<b>Input AC (Grid side)</b>	
Rated input voltage	L/N/PE, 230 V
Rated frequency	50 / 60 Hz
Rated input power	10 kW
Max. input current	43.5 A
<b>Output AC (Grid side)</b>	
Rated output power	5 kW
Max. apparent output Power	5 kVA
Operation phase	Single phase
Rated grid voltage	L/N/PE, 230 V
Grid voltage range	180 - 270 V
Rated grid frequency	50 / 60 Hz
Rating grid output current	21.7 A
Power factor	>0.99 (0.8 leading - 0.8 lagging)
Thdi	< 3%
Protection class	I
Overvoltage category	III
<b>Efficiency</b>	
Max. efficiency	>97%
EU efficiency	>96.2%
<b>Protection</b>	
Anti-Islanding protection	Integrated
Insulation resistor detection	Integrated
Residual current monitoring unit	Integrated
Output overcurrent protection	Integrated
Output short-circuit protection	Integrated
Output overvoltage protection	Integrated
DC reverse polarity protection	Integrated
PV overvoltage protection	Integrated
PV switch	Integrated
Battery breaker	Integrated

Item	RESERVE-INV-1-P5-L1-INT
<b>General Data</b>	
Dimensions (W*D*H)	610*212*380mm
Weight	20kg
Topology	Transformerless
Operation temperature range	-25 / +60°C
Ingress protection	IP65
Noise emission	<30 dB(A) @1m
Cooling concept	Natural convection
Max. operation altitude	2000m
<b>Features</b>	
PV connection	Plug-in connectors, MC4
Grid connection	Plug-in connectors
Back-up connection	Plug-in connectors
BAT connection	Screw terminal
Communication	LAN, WiFi

## 11.2 Datasheet of Battery

Item	RESERVE-BAT-1-DC-10.1-INT
<b>General Data</b>	
Battery type	LFP (LiFePO4)
Weight	90 kg
Dimension (W*D*H)	610 * 212 * 829 mm
Ingress protection	IP65
Energy capacity	10.1 kWh
Usable capacity	9.6 kWh
DoD	95%
Nominal voltage	96 V
Operating voltage range	90 ~ 108 V
Max. charging /discharging current *	60 A
Operating temperature range	Charge: $0 < T \leq 50^{\circ}\text{C}$ Discharge: $-10 < T \leq 50^{\circ}\text{C}$
Monitoring parameters	System voltage, current, cell voltage, cell temperature, PCBA temperature
BMS communication	CAN
<b>System</b>	
Safety	IEC62619/ IEC63056/IEC62040/IEC61000
Transportation	UN38.3

\*Max. charge/discharge current derating will occur related to temperature and SOC

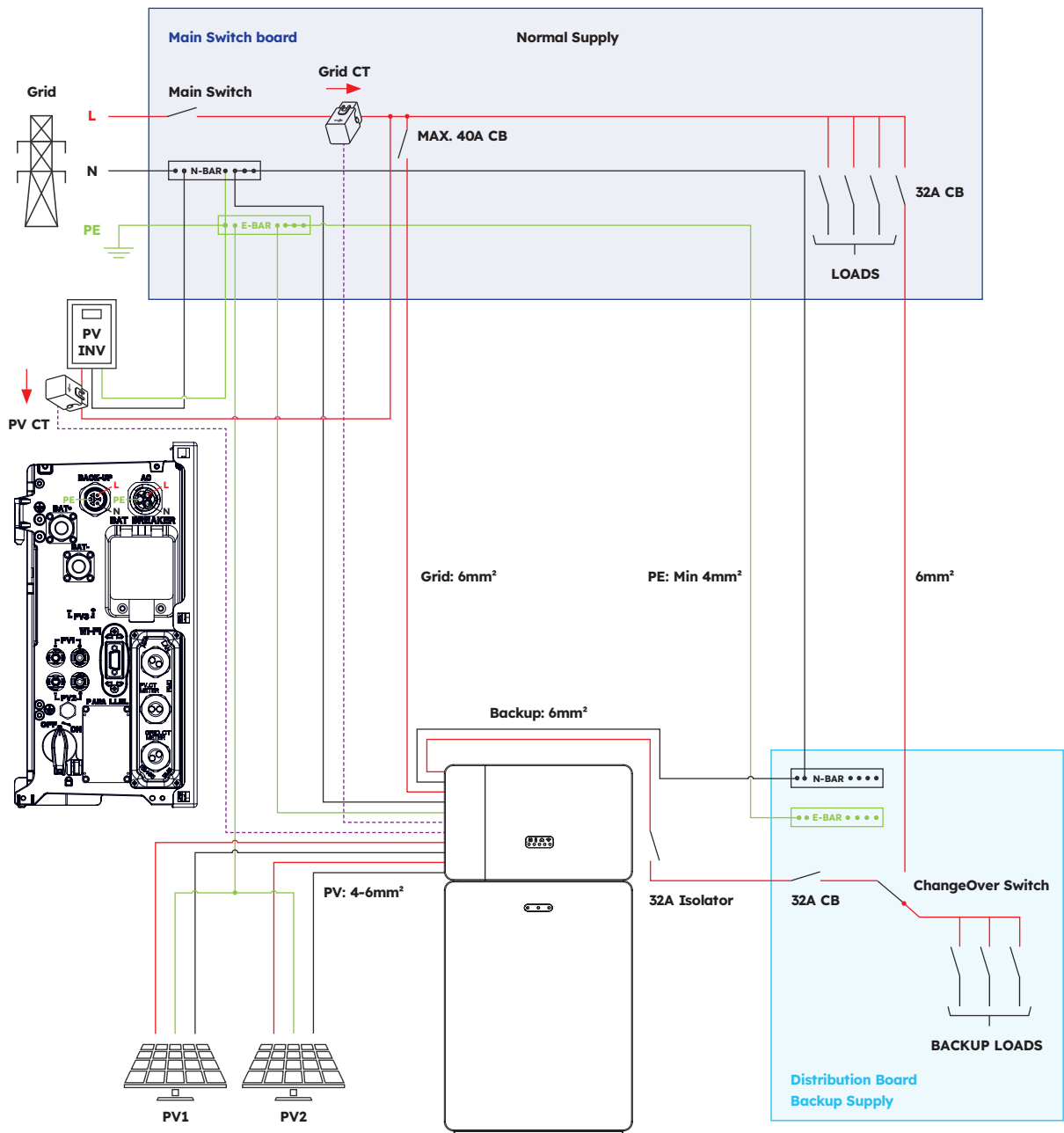
# 12.0 Appendix 1: System Overview

## 12.1 System wiring diagram for Australia

### 12.1.1. Hybrid or AC coupled configuration (AUS)

Sun Power Reserve Wiring Diagram-Hybrid Coupled with Single Phase (AU)

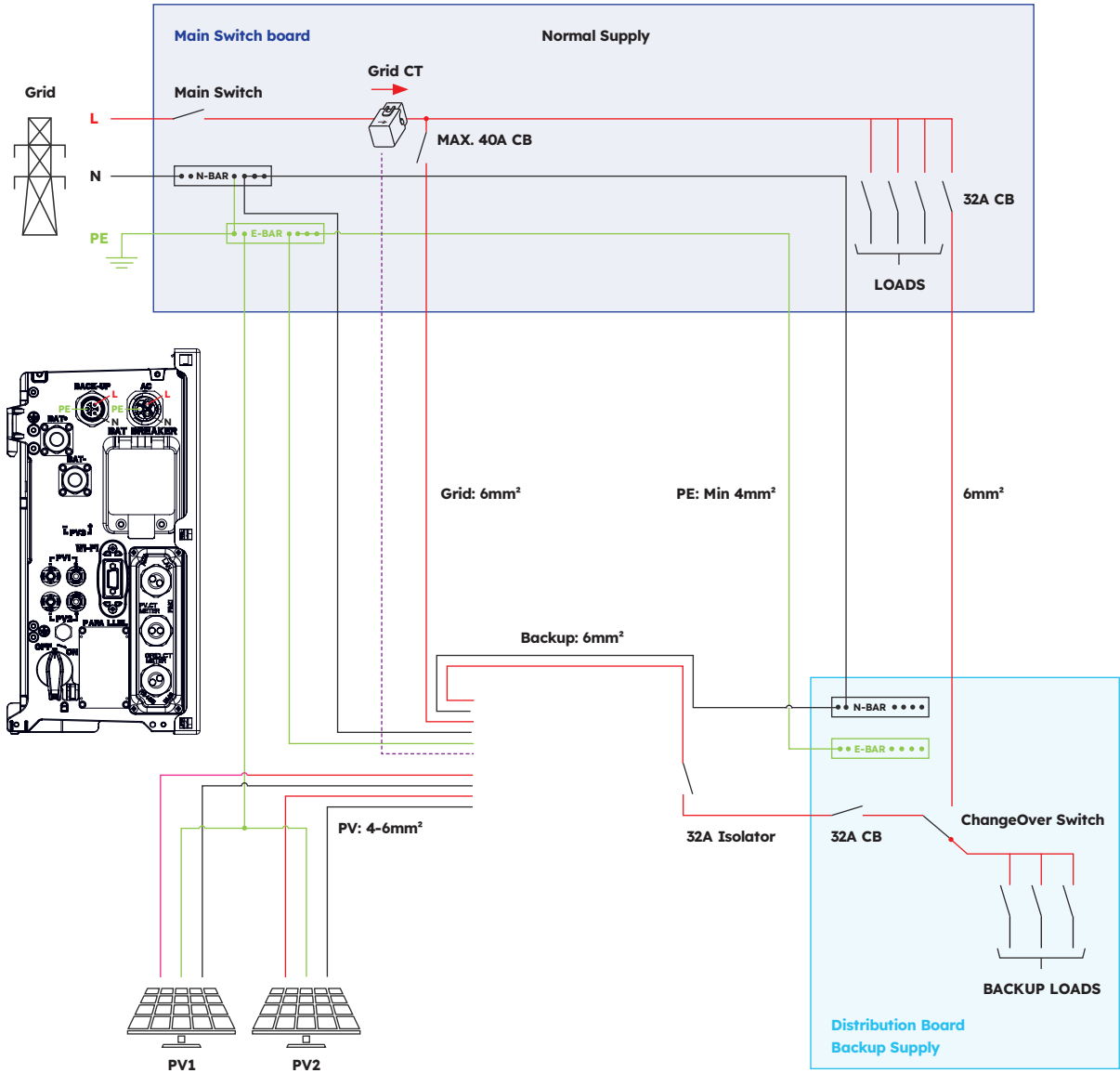
Note: The Neutral is switched so the AC Backup Neutral must be connected to the Neutral Bar.



## 12.1.2. DC coupled configuration (AUS)

Sun Power Reserve Wiring Diagram - DC Coupled with Single Phase (AU)

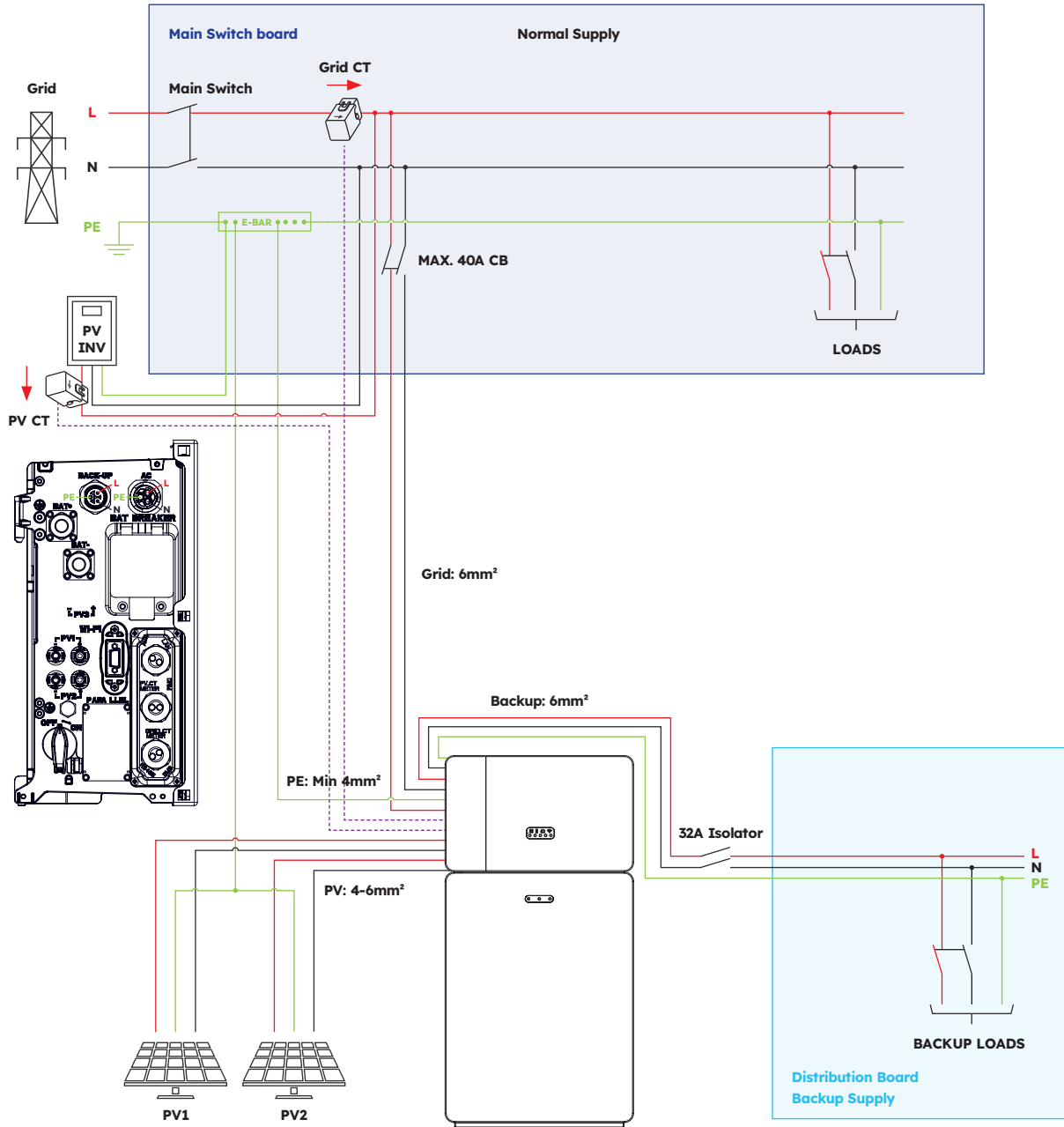
Note: The Neutral is switched so the AC Backup Neutral must be connected to the Neutral Bar.



## 12.2. System wiring diagram for Europe

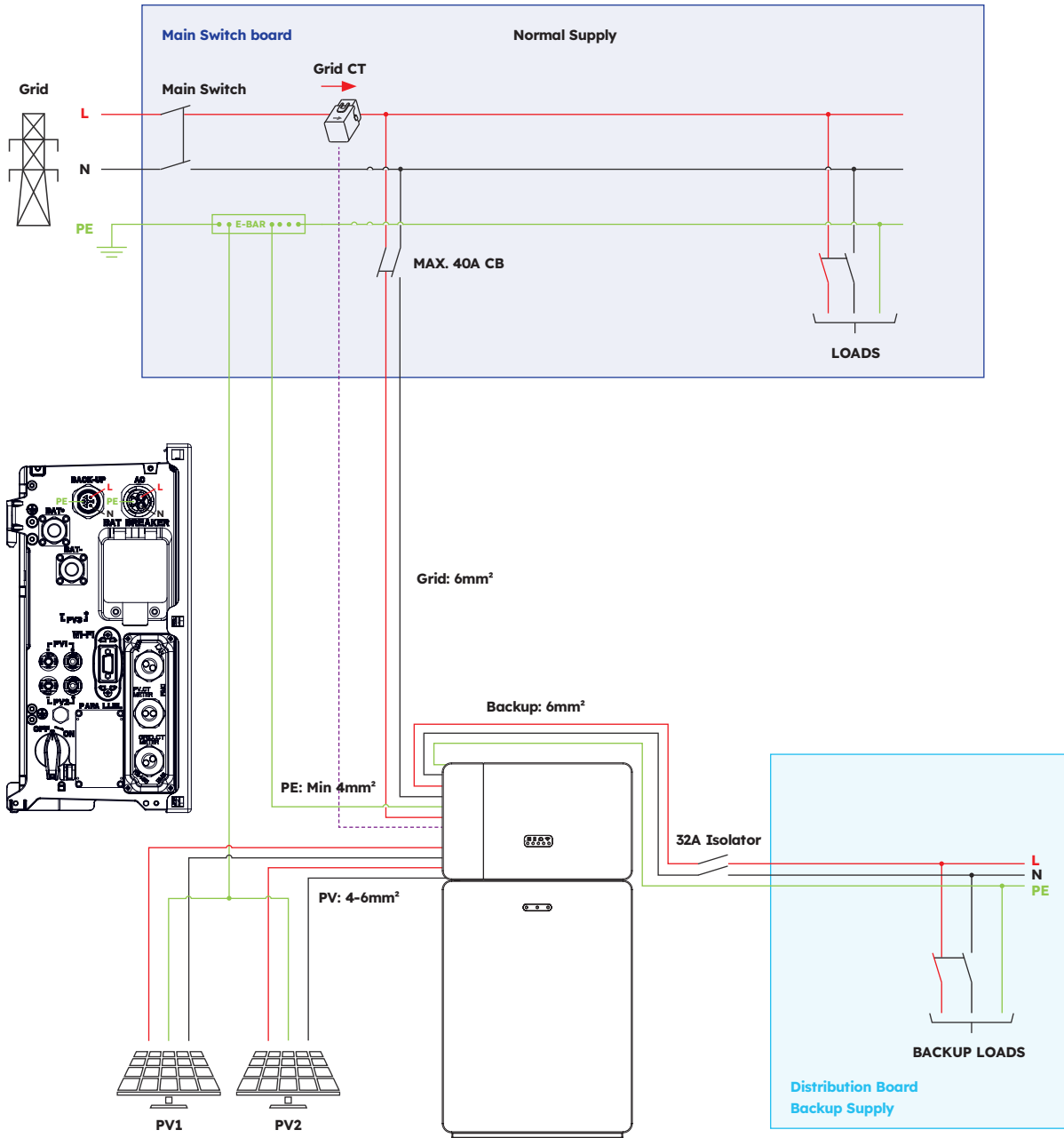
### 12.2.1. Hybrid or AC coupled configuration (EU)

SunPower Reserve Wiring Diagram-Hybrid Coupled with Single Phase (EU)



## 12.2.2. DC coupled configuration (EU)

Sun Power Reserve Wiring Diagram - DC Coupled with Single Phase (EU)





## 13.0 Appendix 2: Regional Application Standard

Please check with your local grid company and choose the correspond Regional Application Standard, the power quality modes Volt-VAR and Volt-Watt will be running automatically. (Only for regions with AS/NZW 4777.2 safety regulations).

Country (DNSP)	Safety standard	Region Setting
Ausgrid, Ausnet, Citipower, Endeavour Energy, Energex, Ergon, Essential Energy, Evoenergy, Jemena, SA Power Networks, PowerCor, United Energy	AS/NZS 4777.2: 2020	Australia A
Western Power	AS/NZS 4777.2: 2020	Australia B
Horizon Power and TasNetworks	AS/NZS 4777.2: 2020	Australia C
New Zealand	AS/NZS 4777.2: 2020	New Zealand
Germany	VDE4105/11.18	Germany
Italy	CEI 0-21	Italy
Spain	RD1699/UNE	Spain
Belgium	C10/C11	Belgium
Netherlands	EN50549	Netherlands

# SunPower Reserve

## Energie-opslagsysteem voor thuis



## Veiligheids- en installatie-instructies

547143 Revisie C  
Publicatie december 2023

Dit document is geldig voor het installeren van het SunPower Reserve-energiesysteem voor thuisgebruik inclusief:

- Omvormer: RESERVE-INV-1-P5-L1-INT
- Batterij: RESERVE-BAT-1-DC-10.1-INT
- Meter: CHINT-DTSU666-AC-L3-INT

Dit document beschrijft de montage, installatie, inbedrijfstelling, configuratie, bediening, probleemoplossing en buitengebruikstelling van de producten, evenals de bediening van de gebruikersinterface van het product. De bijgevoegde documentatie is een integraal onderdeel van dit product. Bewaar de documentatie op een handige plaats voor toekomstig gebruik en volg alle bijgeleverde instructies op.

Illustraties in dit document zijn beperkt tot de essentiële informatie en kunnen afwijken van het echte product.



Kijk voor de nieuwste versie op  
[www.sunpower.maxeon.com/int/InstallGuideReserve](http://www.sunpower.maxeon.com/int/InstallGuideReserve)  
De inhoud kan zonder voorafgaande kennisgeving worden gewijzigd.  
Maxeon Solar Technologies, Ltd.  
[sunpower.maxeon.com](http://sunpower.maxeon.com)

<b>1.0 Inleiding</b>	<b>5</b>
1.1. Afwijzing van aansprakelijkheid	5
1.2. Opensourcelicentie	5
1.3. Niveaus van berichten	5
1.4. Definitie van afkortingen en termen	6
<b>2.0 Veiligheid</b>	<b>7</b>
2.1. Beoogd gebruik	7
2.2. Veiligheidsinstructies voor batterij	7
2.2.1. Algemene veiligheidsmaatregelen	7
2.2.2. Reactie op noodsituaties	8
2.3. Belangrijke veiligheidsinstructies	9
2.4. Uitleg symbolen	11
<b>3.0 Productinleiding en toepassingsscenario's</b>	<b>13</b>
3.1. Systeminleiding	13
3.2. Beschrijving omvormer	14
3.2.1. Inleiding elektrische interface omvormer	14
3.2.2. Displayinterface omvormer	15
3.3. Beschrijving batterij	17
3.4. Toepassingsscenario's	19
3.4.1. DC-gekoppeld opslagsysteem	19
3.4.2. AC-gekoppeld opslagsysteem	20
3.4.3. Hybride gekoppeld opslagsysteem	20
<b>4.0 Opslag en transport</b>	<b>21</b>
4.1. Opslag	21
4.2. Transport	22
<b>5.0 Montage</b>	<b>23</b>
5.1. De buitenverpakking controleren	23
5.2. Omvang van de levering	23
5.3. Inbegrepen in de doos	23
5.4. Gereedschap en instrumenten voorbereiden	25
5.5. Eisen voor montage	26
5.6. Het energieopslagsysteem monteren	28
5.6.1. De batterij monteren	28
5.6.2. De omvormer monteren	29
5.6.3. De wifi-module monteren	30

<b>6.0</b>	<b>Elektrische aansluiting</b>	<b>31</b>
<b>6.1.</b>	<b>Kabelvereisten voor aansluiting</b>	<b>31</b>
<b>6.2.</b>	<b>Extra aarding aansluiten</b>	<b>32</b>
<b>6.3.</b>	<b>AC-aansluiting</b>	<b>33</b>
6.3.1.	Vereisten voor de AC-aansluiting	33
6.3.2.	Geschikte AC-lastscheider kiezen	34
6.3.3.	Net- en back-up-aansluiting	34
6.3.4.	CT-waarden	36
6.3.5.	CT-aansluiting	37
6.3.6.	Meteraansluiting	39
<b>6.4.</b>	<b>PV-aansluiting</b>	<b>41</b>
<b>6.5.</b>	<b>Elektrische aansluiting tussen de omvormer en batterij-eenheden</b>	<b>42</b>
6.5.1.	Elektrische aansluiting tussen de omvormer en de eerste batterij	42
6.5.2.	Aansluiting communicatiekabel	42
6.5.3.	Aansluiting voedingskabel	45
6.5.4.	Elektrische aansluiting voor uitbreidingsbatterijen	45
6.5.5.	Andere communicatieaansluiting van omvormer	46
<b>6.6.</b>	<b>Uiterlijke onderdelen batterij en omvormer monteren</b>	<b>48</b>
<b>6.7.</b>	<b>De schroefpluggen monteren (optie)</b>	<b>50</b>
<b>7.0</b>	<b>Opstart- en uitschakelprocedure</b>	<b>51</b>
<b>7.1.</b>	<b>Opstartprocedure</b>	<b>51</b>
<b>7.2.</b>	<b>Uitschakelprocedure</b>	<b>51</b>
<b>7.3.</b>	<b>Controles voor het opstarten</b>	<b>52</b>
<b>8.0</b>	<b>Een nieuw systeem instellen (Inbedrijfstelling)</b>	<b>53</b>
<b>8.1.</b>	<b>SunPower Reserve op internet aansluiten</b>	<b>53</b>
<b>8.2.</b>	<b>SunPower One-app downloaden en installeren</b>	<b>54</b>
<b>8.3.</b>	<b>Inbedrijfstelling SunPower Reserve</b>	<b>54</b>
<b>8.4.</b>	<b>Het systeem inschakelen en de systeemstatus controleren</b>	<b>55</b>
<b>8.5.</b>	<b>AC-back-up controleren (indien beschikbaar)</b>	<b>55</b>
<b>8.6.</b>	<b>Eindgebruiker instrueren om SunPower One-app te installeren</b>	<b>55</b>
<b>9.0</b>	<b>Onderhoud en probleemoplossing</b>	<b>56</b>
<b>9.1.</b>	<b>Routinematig onderhoud</b>	<b>56</b>
<b>9.2.</b>	<b>Problemen oplossen</b>	<b>56</b>
9.2.1.	Foutopsporing omvormer	57
9.2.2.	Foutbeschrijving omvormer	59
9.2.3.	Beschrijving batterijbeveiliging	61
9.2.4.	Foutbeschrijving batterij	62

<b>10.0</b>	<b>Verwijdering en retourzending</b>	<b>63</b>
<b>10.1.</b>	<b>Het product verwijderen</b>	<b>63</b>
<b>10.2.</b>	<b>Het product verpakken</b>	<b>63</b>
<b>10.3.</b>	<b>Het product weggooien</b>	<b>63</b>
<b>11.0</b>	<b>Specificatie</b>	<b>64</b>
<b>11.1.</b>	<b>Datasheet van omvormer</b>	<b>64</b>
<b>11.2.</b>	<b>Datasheet van batterij</b>	<b>67</b>
<b>12.0</b>	<b>Bijlage 1: Systemoverzicht</b>	<b>68</b>
<b>12.1.</b>	<b>Systeembedradingschema voor Australië</b>	<b>68</b>
12.1.1.	Hybride of AC-gekoppelde configuratie (AUS)	68
12.1.2.	DC-gekoppelde configuratie (AUS)	69
<b>12.2.</b>	<b>Systeembedradingschema voor Europa</b>	<b>70</b>
12.2.1.	Hybride of AC-gekoppelde configuratie (EU)	70
12.2.2.	DC-gekoppelde configuratie (EU)	71
<b>13.0</b>	<b>Bijlage 2: Regionale toepassingsnorm</b>	<b>72</b>

# 1.0 Inleiding

## 1.1. Afwijzing van aansprakelijkheid

Dit document is bedoeld voor gekwalificeerde personen en eindgebruikers. Handelingen die zijn gemarkeerd met een symbool GEVAAR of LET OP mogen alleen worden uitgevoerd door gekwalificeerde personen. Eindgebruikers zonder specifieke kwalificaties mogen alle niet-gemarkeerde taken uitvoeren.

Gekwalificeerde personen moeten het volgende hebben:

- Kennis van de werking van een omvormer
- Kennis van de werking van batterijen
- Training over hoe om te gaan met de gevaren en risico's die gepaard gaan met het installeren, repareren en gebruiken van elektrische apparaten, batterijen en installaties
- Training in het installeren en in bedrijf stellen van elektrische apparaten en installaties
- Kennis van de toepasselijke wetten, normen en richtlijnen in de installatieregio
- Kennis van en naleving van dit document, inclusief alle veiligheidsmaatregelen
- Kennis van en naleving van de documenten van de batterijfabrikant, inclusief alle veiligheidsmaatregelen

## 1.2. Opensourcelicentie

Dit product bevat opensourcesoftware, ontwikkeld door derden en gelicentieerd via middelen waaronder GPL en/of LGPL. Voor meer details, een lijst van gebruikte opensourcesoftware en de bijbehorende licentieteksten, verwijzen we naar het gedeelte met over in onze SunPower-app en op de Maxeon-website (<https://corp.maxeon.com/legal>).

## 1.3. Niveaus van berichten

De volgende niveaus van berichten kunnen optreden bij het hanteren van het product



GEVAAR geeft een gevaarlijke situatie aan die, als deze niet wordt vermeden, zal leiden tot ernstig letsel of de dood.



LET OP geeft een situatie aan die, als deze niet wordt vermeden, kan leiden tot materiële schade en/of licht tot matig letsel.



TIP geeft informatie voor een optimale installatie en werking van het product.

## 1.4. Definitie van afkortingen en termen

Afkorting	Beschrijving
AC	Wisselstroom
AUX	Auxiliary
BAT	Batterij
BMS	Batterijbeheersysteem
CT	Stroomtransformatoren
DC	Gelijkstroom
DNSP	Gedistribueerde netwerkserviceprovider
DRM	Modus vraagrespons
EMS	Energiebeheersysteem
INV	Omvormer
LED	Lichtgevende diode
PV	Fotovoltaïsch
SOC	Ladingstatus

## 2.0 Veiligheid

### 2.1. Beoogd gebruik

Product(en)	Beoogd gebruik en installatievereisten
<b>SunPower Reserve-systeem inclusief:</b> <ul style="list-style-type: none"><li>• <b>RESERVE-INV-1-P5-L1-INT</b></li><li>• <b>RESERVE-BAT-1-DC-10.1-INT</b></li><li>• <b>Stroomtransformatoren of elektriciteitsmeters</b></li></ul>	<p>Het SunPower Reserve-systeem is bedoeld voor installatie in woonhuizen om het eigen energieverbruik te optimaliseren. Het systeem is geschikt voor installatie binnen en buiten.</p> <p>Alle componenten moeten werken in een scenario dat geschikt is voor hun werking. Elk ander gebruik van de producten dan beschreven in dit hoofdstuk is niet geschikt. Zorg ervoor dat je dit product gebruikt in overeenstemming met de informatie in de begeleidende documenten en in overeenstemming met de lokaal geldende normen en richtlijnen.</p> <p>Elke andere handeling kan persoonlijk letsel of schade aan eigendommen veroorzaken. Wijzigingen aan het product, zoals veranderingen of modificaties, zijn alleen toegestaan met uitdrukkelijke schriftelijke toestemming van Maxeon Solar Technologies.</p> <p>Ongeoorloofde wijzigingen maken garantie- en garantieclaims ongeldig. Maxeon Solar Technologies kan niet aansprakelijk worden gesteld voor schade die door dergelijke wijzigingen wordt veroorzaakt.</p> <p>Het typeplaatje moet permanent aan het product bevestigd blijven.</p> <p>Dit document is een integraal onderdeel van dit product. Zorg dat het toegankelijk is voor toekomstige raadpleging en volg alle instructies die erin staan.</p>
<b>OMVORMER:</b> <b>RESERVE-INV-1-P5-L1-INT</b>	<p>De omvormer wordt gebruikt voor bidirectionele overdracht tussen wisselstroom en gelijkstroom.</p> <p>De omvormer mag alleen worden gebruikt met PV-opstellingen van beschermingsklasse II volgens IEC 61730, toepassingsklasse A. De koppelcapaciteit van de PV-modules mag niet groter zijn dan 1,0 <math>\mu</math>F.</p>
<b>BATTERIJ:</b> <b>RESERVE-BAT-1-DC-10.1-INT</b>	<p>De batterij-eenheid mag alleen worden gebruikt voor energieopslag met een SunPower Reserve-omvormer.</p>

### 2.2. Veiligheidsinstructies voor batterij

#### 2.2.1 Algemene veiligheidsmaatregelen

1. Overspanning of verkeerde bedrading kan de batterij-eenheid beschadigen en deflagratie veroorzaken, wat zeer gevaarlijk kan zijn.
2. Alle soorten defecten aan de batterij kunnen leiden tot lekkage van elektrolyt of brandbaar gas.
3. Batterij-eenheid kan niet door de gebruiker worden onderhouden. Er staat een hoge spanning op het apparaat.
4. Lees het etiket met waarschuwingssymbolen en voorzorgsmaatregelen, dat zich aan de rechterkant van de batterij-eenheid bevindt.




5. Sluit geen AC-geleiders of PV-geleiders rechtstreeks aan op de batterij-eenheid; deze moeten alleen worden aangesloten op de omvormer.
6. Beschadigde batterij niet opladen of ontladen.
7. Beschadig de batterij-eenheid niet door deze te laten vallen, vervormen, stoten, snijden of doorboren met een scherp voorwerp. Dit kan lekkage van elektrolyt of brand veroorzaken.
8. Stel de batterij niet bloot aan open vuur.






## 2.2.2. Reageren op noodsituaties


De batterij-eenheid is ontworpen om gevaar door storingen te voorkomen.




Als er een ongeluk op het land gebeurt, verwijder dan voorwerpen uit de buurt van de beschadigde batterij-eenheid en scheid deze indien mogelijk veilig af en bel de plaatselijke brandweer of servicemonteur. Als er een ongeluk in het water gebeurt, blijf dan uit het water en raak niets aan als er een deel van de batterij, omvormer of bedrading onder water ligt. Gebruik de batterij niet meer en neem contact op met de technische ondersteuning.

Scenario	Aanbevolen acties
<b>Als het batterijhuis beschadigd is en de gebruiker het binnenmateriaal van de batterijcellen aanraakt</b>	<ol style="list-style-type: none"> <li>1. <b>In geval van inademing:</b> Verlaat het besmette gebied onmiddellijk en zoek medische hulp.</li> <li>2. <b>Als de ogen gewond zijn:</b> Spoel de ogen 15 minuten met stromend water en zoek medische hulp.</li> <li>3. <b>Als de huid gewond is:</b> Was het contactgebied grondig met zeep en zoek medische hulp.</li> <li>4. <b>In geval van inslikken:</b> Wek braken op en zoek medische hulp.</li> </ol>
<b>Als er brand uitbreekt op de plaats waar de batterij-eenheid is geplaatst</b>	<p><b>Je hebt nodig:</b></p> <ul style="list-style-type: none"> <li>• FM-200, CO<sub>2</sub> of een andere geschikte brandblusser op de brandende batterij.</li> <li>• ABC-brandblusser kan worden gebruikt op andere voorwerpen, waar het niet in contact komt met de batterij-eenheid.</li> </ul> <p><b>Wat te doen:</b></p> <ol style="list-style-type: none"> <li>1. Als er brand ontstaat tijdens het opladen van batterijen, schakel dan, als het veilig is om dit te doen, de lastscheider van de batterij-eenheid uit om de voeding voor het opladen uit te schakelen.</li> <li>2. Als de batterij-eenheid nog niet in brand staat, blus de brand dan voordat de batterij-eenheid vlam vat.</li> <li>3. Als de batterij-eenheid in brand staat, probeer dan niet te blussen maar evacueer mensen onmiddellijk.</li> </ol>
 <p><b>Als de batterij-eenheid brandt</b></p>	<p>Er kan een explosie ontstaan wanneer batterijen worden verhit tot boven 150 °C. Als de batterij brandt, lekt deze giftige gassen. <b>Niet benaderen.</b></p>












## 2.3. Belangrijke veiligheidsinstructies

Scenario's met hoog risico	Aanbevolen acties
 <p><b>Levensgevaar door elektrische schok bij aanraking van spanningvoerende onderdelen of kabels</b></p>	<p>Er staat hoge spanning op de geleidende onderdelen of kabels van de omvormer. Het aanraken van spanningvoerende onderdelen en kabels kan leiden tot de dood of dodelijk letsel als gevolg van elektrische schokken.</p> <ul style="list-style-type: none"> <li>• Raak geen niet-geïsoleerde onderdelen of kabels aan.</li> <li>• Ontkoppel het product van spanningsbronnen en zorg ervoor dat het niet opnieuw kan worden aangesloten voordat je aan de omvormer of de batterij-eenheid werkt.</li> <li>• Wacht na het loskoppelen 5 minuten totdat de condensatoren in de omvormer ontladen zijn.</li> <li>• Open het product niet.</li> <li>• Draag geschikte persoonlijke beschermingsmiddelen bij alle werkzaamheden aan het product.</li> </ul>
 <p><b>Levensgevaar door gevaarlijke spanningen in de batterij-eenheid</b></p>	<p>Er staat gevaarlijke spanning op de pinconnector voor de voedingskabel. Grijpen in de pinconnector voor de voedingskabel kan leiden tot een dodelijke elektrische schok.</p> <ul style="list-style-type: none"> <li>• Open de batterij-eenheid niet.</li> <li>• Veeg niet met een vochtige doek over de batterij-eenheid.</li> <li>• Laat de beschermkapjes op de pinconnectoren voor de stroomaansluiting van de batterijen zitten totdat de kabels van de omvormer zijn aangesloten op de batterij-eenheid. Ontkoppel het systeem van spanningsbronnen en zorg ervoor dat het niet opnieuw kan worden aangesloten voordat je aan de omvormer of de batterij-eenheid werkt</li> </ul>
 <p><b>Levensgevaar door elektrische schokken als gevolg van het aanraken van een niet-geaarde PV-module of opstellingsframe</b></p>	<ul style="list-style-type: none"> <li>• Het aanraken van niet-geaarde PV-modules of opstellingsframes kan leiden tot de dood of dodelijk letsel als gevolg van elektrische schokken.</li> <li>• Verbind en aard het frame van de PV-modules, het opstellingsframe en de elektrisch geleidende oppervlakken zodat er een continue geleiding is.</li> <li>• Neem de geldende plaatselijke voorschriften in acht.</li> </ul>
 <p><b>Levensgevaar door elektrische schok bij aanraking van spanningvoerende onderdelen of PV-kabels</b></p>	<p>Wanneer PV-panelen worden blootgesteld aan zonlicht, genereert de PV-opstelling een hoge gelijkspanning die in de DC-geleiders terechtkomt. Het aanraken van de DC-kabels onder spanning kan leiden tot de dood of dodelijk letsel als gevolg van elektrische schokken.</p> <ul style="list-style-type: none"> <li>• Ontkoppel de omvormer van spanningsbronnen en zorg ervoor dat hij niet opnieuw kan worden aangesloten voordat je aan het apparaat werkt.</li> <li>• Raak geen niet-geïsoleerde onderdelen of kabels aan.</li> <li>• Koppel de DC-connectoren niet los onder belasting.</li> <li>• Draag geschikte persoonlijke beschermingsmiddelen voor alle werkzaamheden aan de omvormer.</li> </ul>
 <p><b>Levensgevaar door elektrische schok bij het aanraken van spanningvoerende systeemonderdelen in geval van een aardlek</b></p>	<p>Wanneer er een aardlek optreedt, kunnen delen van het systeem nog onder spanning staan. Het aanraken van spanningvoerende onderdelen en kabels kan leiden tot de dood of dodelijk letsel als gevolg van elektrische schokken.</p> <ul style="list-style-type: none"> <li>• Ontkoppel het product van spanningsbronnen en zorg ervoor dat het niet opnieuw kan worden aangesloten voordat je aan het apparaat werkt.</li> <li>• Raak de kabels van de PV-opstelling alleen aan op de isolatie.</li> <li>• Raak geen onderdelen van de onderbouw of het frame van de PV-opstelling aan.</li> <li>• Sluit geen PV-strings met aardlek aan op de omvormer.</li> </ul>

Scenario's met hoog risico	Aanbevolen acties
 <p><b>Risico op chemische brandwonden door elektrolyt of giftige gassen</b></p>	<p>Tijdens normaal gebruik lekt er geen elektrolyt uit de batterij-eenheid en ontstaan er geen giftige gassen. Ondanks zorgvuldige constructie is het mogelijk dat er elektrolyt lekt of dat er giftige gassen ontstaan als de batterij-eenheid beschadigd raakt of als er een storing optreedt.</p> <ul style="list-style-type: none"> <li>• Bewaar de batterij-eenheid op een koele en droge plaats.</li> <li>• Laat de batterij-eenheid niet vallen en beschadig deze niet met scherpe voorwerpen.</li> <li>• Zet de batterij-eenheid alleen op de achterkant of onderkant neer.</li> <li>• Open de batterij-eenheid niet.</li> <li>• Installeer of gebruik de batterij-eenheid niet in een explosiegevaarlijke omgeving of op plaatsen met een hoge luchtvochtigheid.</li> <li>• Als er vocht in de batterij-eenheid is binnengedrongen (bijvoorbeeld door een beschadigde behuizing), mag je de batterij-eenheid niet installeren of gebruiken.</li> <li>• In geval van contact met elektrolyt, de getroffen gebieden onmiddellijk spoelen met water en onmiddellijk een arts raadplegen.</li> </ul>

Waarschuwend scenario's	Aanbevolen acties
 <p><b>Risico op brandwonden door heet koellichaam en behuizing</b></p>	<p>De behuizing en deksel van de omvormer kunnen tijdens bedrijf heet worden. Raak tijdens bedrijf alleen de kap van de omvormer aan.</p>
 <p><b>Schade aan de omvormer door elektrostatische ontlading</b></p>	<ul style="list-style-type: none"> <li>• Het aanraken van elektronische onderdelen kan de omvormer en de batterij beschadigen of vernietigen door elektrostatische ontlading.</li> <li>• Aard jezelf voordat je een onderdeel aanraakt.</li> </ul>
 <p><b>Schade door schoonmaakmiddelen</b></p>	<ul style="list-style-type: none"> <li>• Het gebruik van reinigingsmiddelen kan schade veroorzaken aan het energieopslagsysteem en de onderdelen ervan.</li> <li>• Reinig het systeem en alle onderdelen alleen met een doek die is bevochtigd met schoon water.</li> </ul>

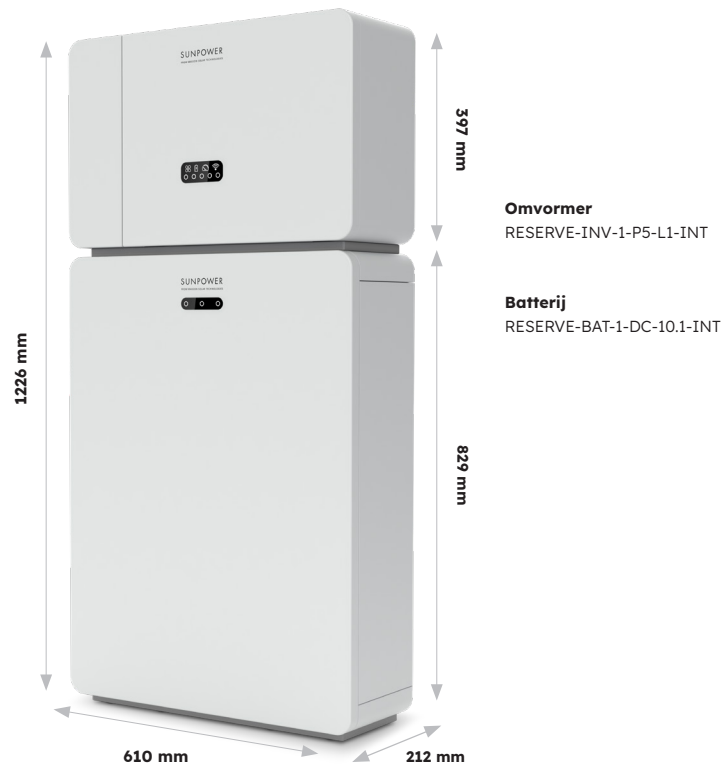
## 2.4. Uitleg symbolen

Symbolen omvormer	Uitleg
	Pas op voor een gevarezone Dit symbool geeft aan dat de omvormer extra geaard moet worden als er extra aarding of potentiaalvereffening nodig is op de installatielocatie.
	Pas op voor elektrische spanning Het product werkt bij hoge spanningen.
	Pas op voor heet oppervlak Het product kan heet worden tijdens gebruik.
	Levensgevaar door hoge spanningen in de omvormer, neem een wachttijd van 5 minuten in acht. Voordat je werkzaamheden aan de omvormer uitvoert, moet je deze loskoppelen van alle spanningsbronnen zoals beschreven in dit document.
	WEEE-aanduiding Gooi het product niet weg met het huishoudelijk afval, maar in overeenstemming met de afvalverwerkingsvoorschriften voor elektronisch afval die gelden op de installatielocatie.
	Let op de documentatie
	CE-markering Het product voldoet aan de eisen van de toepasselijke EU-richtlijnen.
	Gecertificeerde veiligheid Het product is TUV-getest en voldoet aan de eisen van de EU-wet op de veiligheid van apparatuur en producten.
	RCM (Regulatory Compliance Mark) Het product voldoet aan de eisen van de toepasselijke Australische normen.
	UKCA-markering Het product voldoet aan de voorschriften van de toepasselijke wetten van Engeland, Wales en Schotland.
	RoHS-etikettering Het product voldoet aan de eisen van de toepasselijke EU-richtlijnen.

Batterijsymbolen	Uitleg
	Pas op voor een gevarezone Dit symbool geeft aan dat de batterij-eenheid extra geaard moet worden als extra aarding of potentiaalvereffening nodig is op de installatielocatie.
	Risico op chemische brandwonden
	Explosiegevaar
	Let op de documentatie
	Risico op lekkage van elektrolyten
	CE-markering Het product voldoet aan de eisen van de toepasselijke EU-richtlijnen.
	Raadpleeg de bedieningsinstructies
	Gebruik oogbescherming
	Vuur, open licht en roken verboden
	Installeer het product buiten het bereik van kinderen
	Gooi de batterij-eenheid niet weg met het huishoudelijk afval, maar in overeenstemming met de plaatselijk geldende voorschriften voor de verwerking van batterijen
	Code voor recycling
<b>UN38.3</b>	Markering voor het vervoer van gevaarlijke goederen Het product voldoet aan de certificeringen van UN38.3

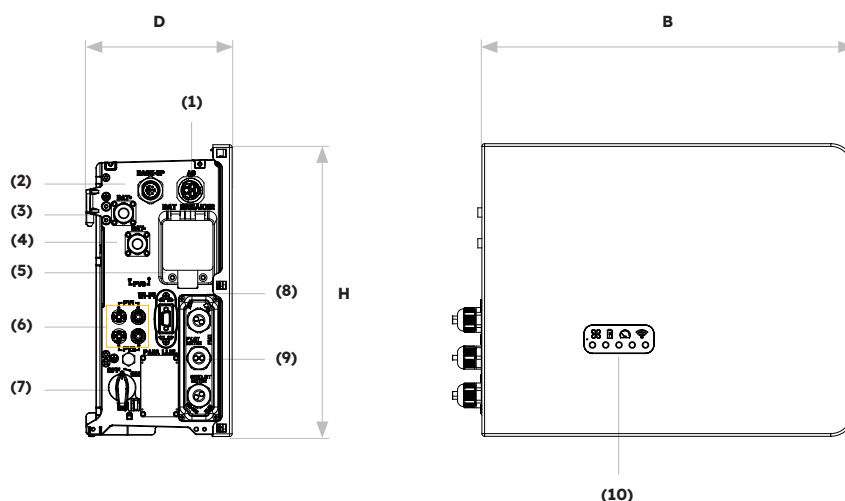
## 3.0 Productinleiding en toepassingsscenario's

### 3.1. Systeeminleiding



## 3.2. Beschrijving omvormer

### 3.2.1. Inleiding elektrische interface omvormer



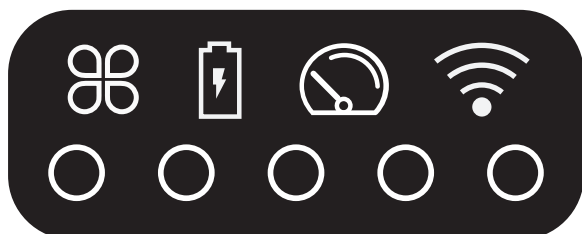
Positie	Beschrijving
1	Netconnector
2	Back-up-connector
3	Voedingsconnector batterij, plus
4	Voedingsconnector batterij, min
5	Batterij-lastscheider* van de omvormer
6	PV-connectoren plus en min, PV1/ PV2
7	PV-schakelaar*
8	Wifi-poort
9	Communicatie (poorten CAN/RS485, BMS, LAN, Meter/net-CT, DRM**, PV-CT, AUX)
10	Ledlampje omvormer

\* Alle lastscheiders en schakelaars van de omvormer zijn bij verzending uitgeschakeld.

\*\* De DRM is alleen voor regio's met veiligheidsvoorschriften AS/NZS 4777.2.

### 3.2.2. Displayinterface omvormer

Op het displaypaneel van de omvormer bevinden zich negen ledlampjes.











#### Bovenste ledlampjes

De vier systeemledlampjes geven informatie over de status en werking van het systeem

#### Onderste ledlampjes

Vijf ledlampjes geven de ladingstatus van de batterij(en) bij normaal gebruik aan

Als het systeem echter een storing heeft, wordt de combinatie van de bovenste en onderste ledlampjes gebruikt om foutcodes weer te geven, zoals:

Normale status	Beschrijving	Abnormale status	Beschrijving
 <b>SYSTEEM</b>	<b>Wit licht</b> Het systeem werkt normaal	 <b>SYSTEEM</b>	<b>Rood licht</b> Het systeem heeft een storing
 <b>METER</b>	<b>Wit licht</b> Metercommunicatie werkt normaal	 <b>METER</b>	<b>Geen licht</b> Meter uitgevallen
 <b>BATTERIJ</b>	<b>Wit licht</b> Batterij werkt normaal	 <b>BATTERIJ</b>	<b>Geen licht</b> Batterij werkt niet normaal
 <b>COMMUNICATIE</b>	<b>Wit licht</b> Server verbonden	 <b>COMMUNICATIE</b>	<b>Geen licht</b> Verbinding met server verbroken









De lampjes van de omvormer werken ook anders tijdens het downloaden en upgraden van de software:

Lampje	Tijdens het downloaden en upgraden van de software
Weergave omvormerlampjes	Terwijl de omvormer het bestand downloadt om de firmware bij te werken, zullen de onderste 5 ledlampjes van beide kanten naar het midden bewegen. Wanneer het downloadproces is voltooid en het upgradeproces begint, zullen de onderste 5 ledlampjes van het midden naar de twee zijkanten bewegen.
Weergave batterijlampjes	Het aantal lampjes van links naar rechts is 1-3. Tijdens het upgraden knippert het witte lampje nr. 3 snel, de andere twee ledlampjes zijn uit.

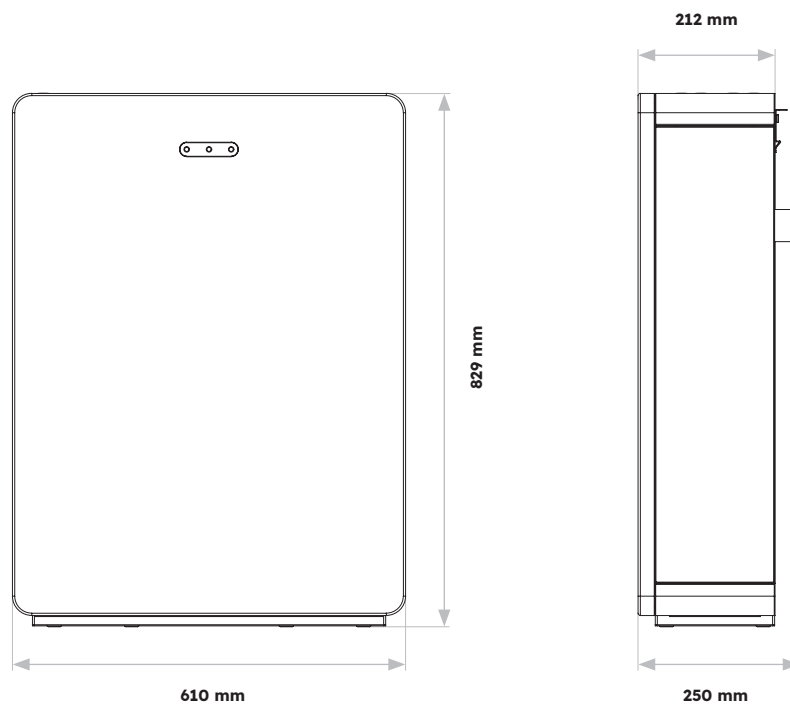
De onderste ledlampjes op de voorkant van de omvormer geven informatie over de ladingstatus (SOC). Als alle batterijen normaal werken, zijn ze wit of uit.

Tijdens de verschillende soorten ladingstatus worden de lampjes weergegeven:

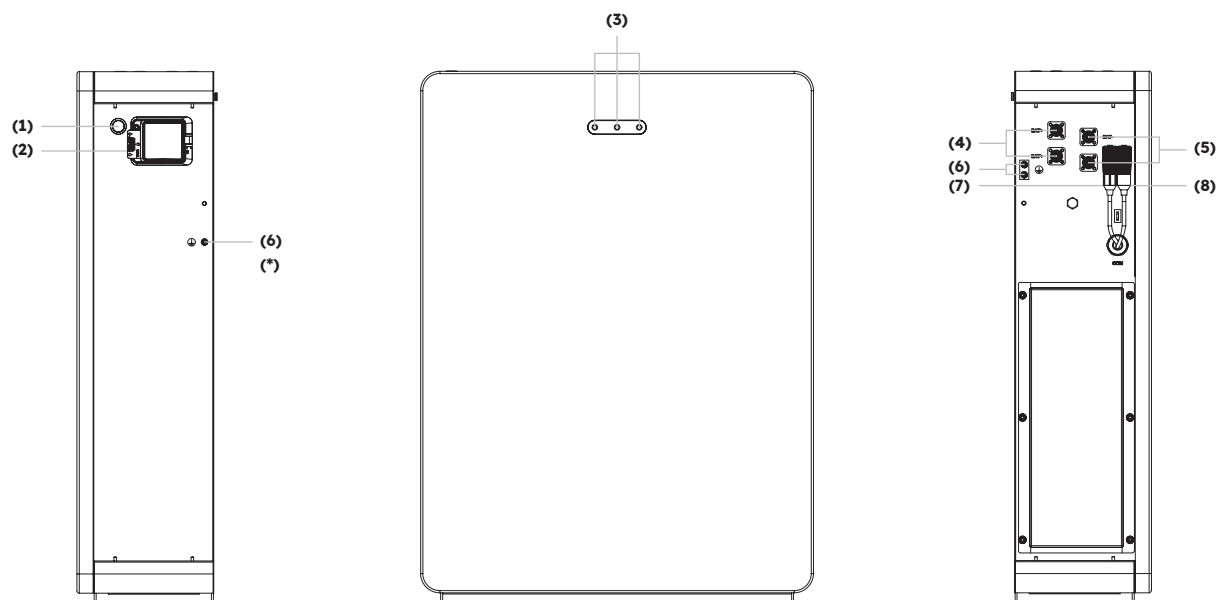
Ladingstatus (SOC)	Beschrijving
	$SOC \leq 5,2\%$
	$5,2\% < SOC \leq 9,5\%$
	$9,5\% < SOC \leq 25,2\%$
	$25,2\% < SOC \leq 50\%$
	$50\% < SOC \leq 75,2\%$
	$75,2\% \leq SOC \leq 100\%$

### 3.3 Beschrijving batterij

Uiterlijk en afmetingen van batterij-eenheid:



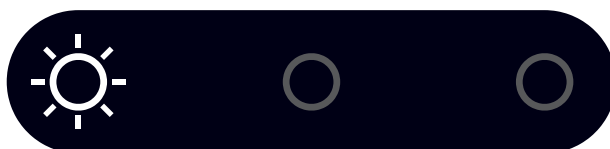
Overzicht van aansluitgebied:



Positie	Beschrijving
1	Batterijstartknop
2	Batterij-lastscheider
3	Led-display batterij
4	Voedingsconnector batterij+
5	Voedingsconnector batterij-
6	Aardklem
7	BMS COM (1)
8	BMS COM (2) (met eindweerstand)

### LED-display batterij

De drie ledlampjes aan de voorkant van de batterij geven informatie over de SOC-bedrijfsstatus van de enkele batterij met lampjes die continu wit branden of knipperen:



Ladingstatus (SOC)	Beschrijving
	$SOC \leq 10\%$
	$10\% < SOC \leq 30\%$
	$30\% < SOC \leq 50\%$
	$50\% < SOC \leq 60\%$
	$60\% < SOC \leq 90\%$
	$90\% < SOC \leq 100\%$

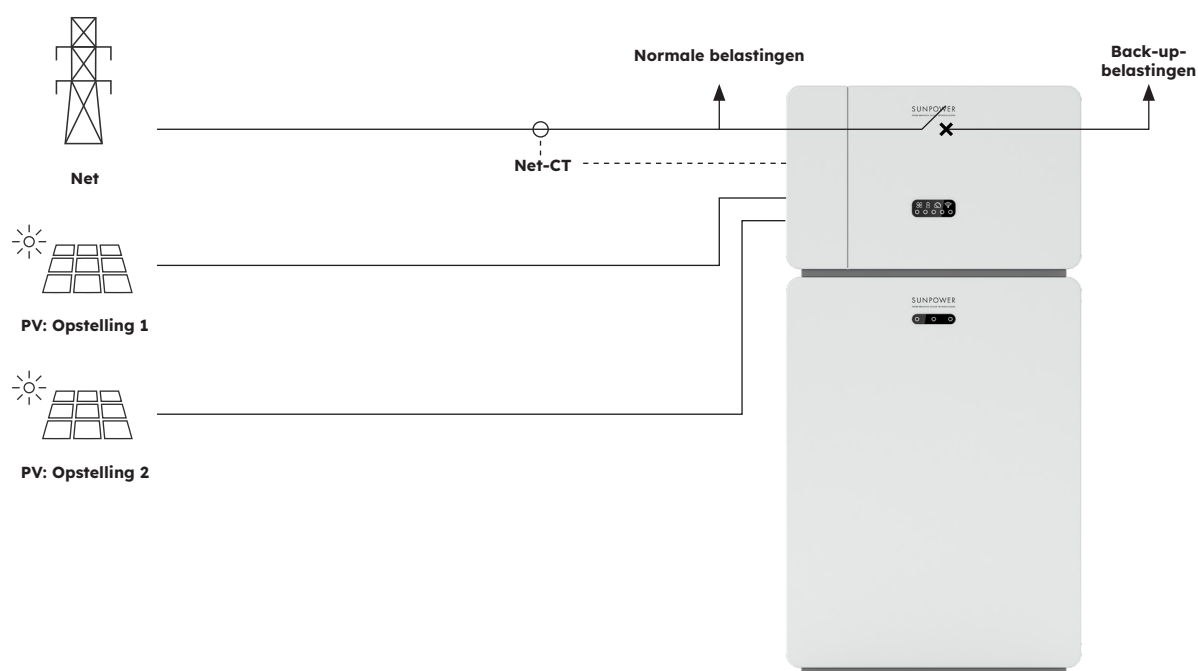
## 3.4 Toepassingsscenario's

Het SunPower Reserve-systeem is een flexibel opslagsysteem dat in alle volgende scenario's kan worden toegepast:

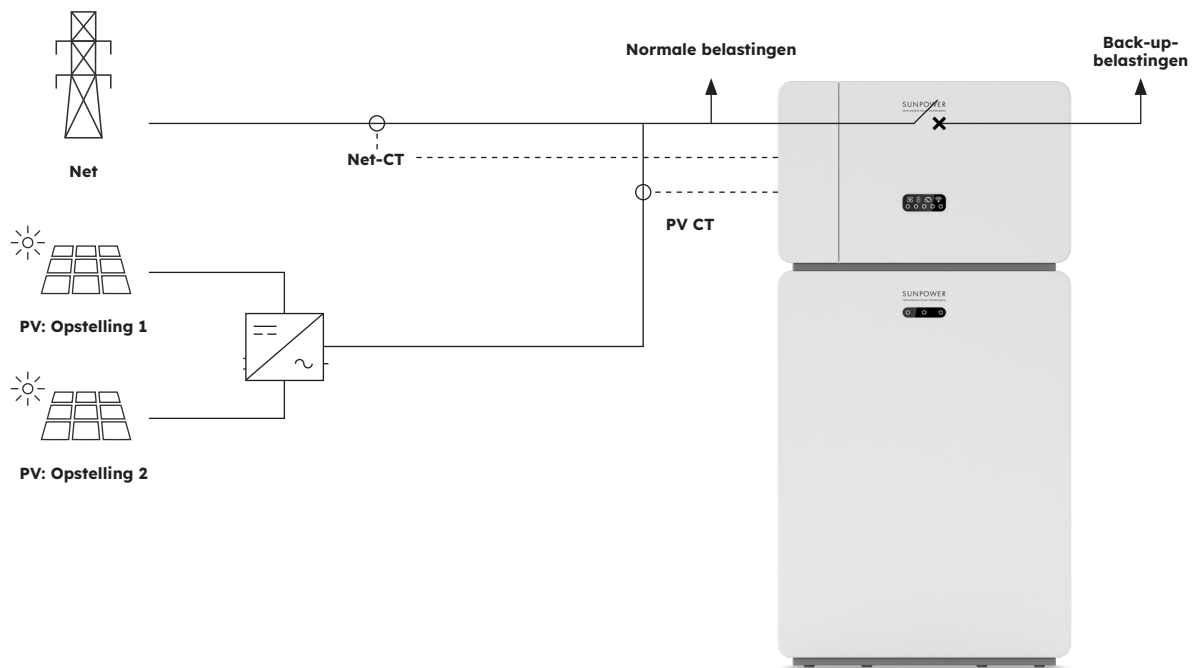
Toepassing	Beschrijving	Voordelen
<b>DC</b>	Eerste installatie PV-opstelling Hybride omvormer voor zonne-energie en batterij	Geen extra omvormer nodig
<b>AC</b>	Er is eerder een PV-opstelling geïnstalleerd of de PV-opstelling gebruikt micro-omvormers. Het systeem bestaat uit speciale omvormers voor zonne-energie en batterijen	<ul style="list-style-type: none"> <li>• Belasting kan gelijktijdig van de batterij en PV worden afgenomen</li> <li>• Batterijsysteem kan achteraf worden geïnstalleerd</li> </ul>
<b>Hybride</b>	Er is eerder een PV-opstelling geïnstalleerd en er wordt een nieuwe PV-opstelling toegevoegd als afzonderlijk systeem; de hybride omvormer zal het nieuwe zonnepaneel en de batterij aansturen	<ul style="list-style-type: none"> <li>• Kan worden gekoppeld aan elk bestaand PV-systeem</li> <li>• Systeem vergroten en regelen zonder het oorspronkelijke PV-systeem te veranderen</li> </ul>

Een voorbeeld van elk van deze scenario's:

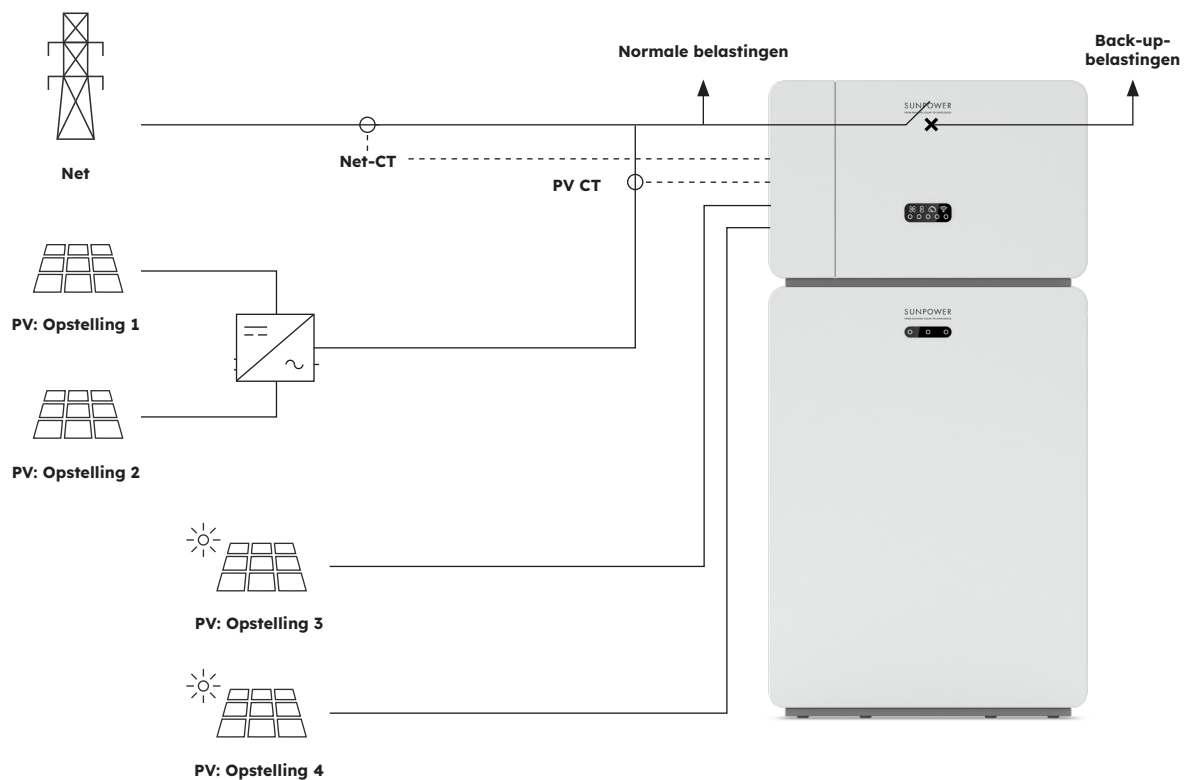
### 3.4.1. DC-gekoppeld opslagsysteem



### 3.4.2. AC-gekoppeld opslagsysteem



### 3.4.3. Hybride gekoppeld opslagsysteem



## 4.0 Opslag en transport

### 4.1 Opslag

Als de omvormer niet direct in gebruik wordt genomen, moet aan de volgende eisen worden voldaan:

Product(en)	Richtlijnen voor opslag
<b>Omvormer:</b> <b>RESERVE-INV-1-P5-L1-INT</b>	<ol style="list-style-type: none"><li>1. Pak de omvormer niet uit.</li><li>2. Houd de opslagtemperatuur op <math>-40\text{ °C}</math> / <math>+70\text{ °C}</math> en de luchtvochtigheid op 5% / 95% RV.</li><li>3. De omvormer moet worden opgeslagen op een schone en droge plaats en worden beschermd tegen corrosie door stof en waterdamp.</li><li>4. Er kunnen maximaal vijf omvormers worden gestapeld. Stapel omvormers voorzichtig op elkaar om te voorkomen dat ze omvallen, om persoonlijk letsel of schade aan het apparaat te voorkomen.</li><li>5. Controleer de omvormer regelmatig tijdens de opslagperiode. Vervang verpakkingsmateriaal dat is beschadigd door insecten of knaagdieren tijdig.</li><li>6. Als de omvormers langer dan twee jaar zijn opgeslagen, moeten ze door professionals worden gecontroleerd en getest voordat ze in gebruik worden genomen.</li></ol>
<b>Batterij:</b> <b>RESERVE-BAT-1-DC-10.1-INT</b>	<ol style="list-style-type: none"><li>1. Plaats batterijen volgens de aanduidingen op de verpakking tijdens opslag. Leg batterijen niet ondersteboven of op hun kant.</li><li>2. Stapel de batterijverpakkingsdozen volgens de stapelvoorschriften op de externe verpakking.</li><li>3. Bewaar de batterij-eenheid buiten bereik van kinderen en dieren.</li><li>4. Bewaar de batterij-eenheid op een plek waar zo min mogelijk stof en vuil aanwezig is.</li><li>5. Ga voorzichtig om met batterijen om schade te voorkomen.</li><li>6. De vereisten voor de opslagomgeving zijn als volgt:<ol style="list-style-type: none"><li>a. Omgevingstemperatuur: <math>-10\text{ °C}</math> / <math>+55\text{ °C}</math>, aanbevolen opslagtemperatuur: <math>15\text{ °C}</math> / <math>30\text{ °C}</math></li><li>b. Relatieve vochtigheid: 15% / 85%</li><li>c. Plaats batterijen op een droge en schone plaats met goede ventilatie.</li><li>d. Plaats batterijen op een plaats die uit de buurt is van corrosieve organische oplosmiddelen en gassen.</li><li>e. Houd batterijen uit de buurt van direct zonlicht.</li><li>f. Houd batterijen op minstens 2 m afstand van warmtebronnen.</li></ol></li><li>7. De batterijen in opslag moeten worden losgekoppeld van externe apparaten. De lampjes (indien aanwezig) op de batterijen moeten uit zijn.</li></ol>

8. Batterijen moeten worden geleverd op basis van de "first in, first out"-regel.
9. De magazijnbeheerder moet elke maand informatie verzamelen over de batterijopslag en periodiek de informatie over de batterijvoorraad rapporteren aan de planningsafdeling. De batterijen die bijna 6 maanden zijn opgeslagen, moeten worden opgeladen.
10. Als een lithiumbatterij lange tijd wordt opgeslagen, kan er capaciteitsverlies optreden. Nadat een lithiumbatterij 12 maanden is opgeslagen bij de aanbevolen opslagtemperatuur, is het onomkeerbare capaciteitsverlies 3% / 10%. Het wordt aanbevolen om batterijen niet voor langere tijd op te slaan. Als de batterijen langer dan 6 maanden moeten worden opgeslagen, wordt aanbevolen om de batterijen op te laden tot 65% / 75% van de SOC.

## 4.2. Transport

Neem tijdens het transport de volgende richtlijnen in acht:

1. Gebruik de originele verpakking voor transport.
2. Ga voorzichtig te werk. Kies voor een methode die past bij het gewicht en neem de veiligheid in acht.
3. Vermijd mechanische schade tijdens het transport en houd het droog.
4. Zet de verpakking goed vast tijdens transport om schade te voorkomen.
5. Neem de plaatselijke voorschriften voor het tillen van zware voorwerpen en veiligheidsrisico's in acht.

## 5.0 Montage

### 5.1. De buitenverpakking controleren

Controleer voordat je het product uitpakt de buitenverpakking op beschadigingen, zoals gaten en scheuren. Als er schade wordt aangetroffen, pak het product dan niet uit en neem zo snel mogelijk contact op met je leverancier.

### 5.2. Omvang van de levering


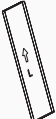
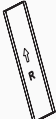
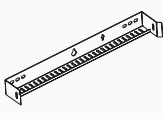




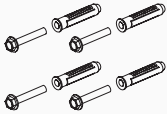

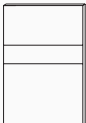
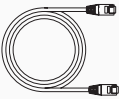


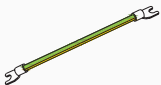
Controleer de leveringsomvang op volledigheid en eventuele uiterlijk zichtbare schade. Neem contact op met je leverancier als de levering incompleet of beschadigd is

### 5.3. Inbegrepen in de doos

Controleer de onderdelen die bij de omvormer en batterij worden geleverd aan de hand van de onderstaande lijst.

Omvormer (RESERVE-INV-1-P5-L1-INT)				
RESERVE-INV-1-P5-L1-INT (x1)	TOP-decoratieplaat (x1)	Kabelafdekking (x1)	Omvormerbasis (x1)	PV MC4-connectorpaar (x2)
Wifi-module (x1)	Netconnector (x1)	BACK-UP-aansluiting (x1)	AUX-aansluiting (x1)	Net-CT (x1)
PV CT (x1)	Net-CT-kabel (x1)	PV CT-kabel (x1)	Voedingskabel batterij, plus (x1)	Voedingskabel batterij, min (x1)
Batterij-communicatie-kabel (x1)	Schroef M4*10 (x2)	Schroef M5*12 (x8)	Beknopte installatiehandleiding voor de omvormer	Aardingskabel



BATTERIJ (RESERVE-BAT-1-DC-10.1-INT)				
				
Batterij-eenheid (x1)	Linkerzijplaat (x1)	Rechterzijplaat (x1)	Muurbeugel (x1)	M5 x 12 (X3)
				
Eindsteun (x2)	Kunststof stelschroeven (M5-L8) (x12)	Kunststof blokkering (x4)	Muuranker en expansieschroeven (x4)	Klemmenblokken type Y (x2)
				
Beknopte installatiehandleiding voor batterij (x1)	Communicatiekabel uitbreidingsbatterij (x1)	Voedingskabel uitbreidingsbatterij, plus (x1)	Voedingskabel uitbreidingsbatterij, min (x1)	Aardingskabel (x1)

## 5.4. Gereedschap en instrumenten voorbereiden

Zorg ervoor dat de volgende apparatuur en veiligheidsuitrusting beschikbaar zijn voordat je het apparaat installeert:

Gereedschappen en instrumenten en persoonlijke beschermingsmiddelen				
				
Klopboor (met een boor van $\varnothing 10$ mm)	Momentsleutel M10	Multimeter (DC-spanningsbereik 0-1000 V DC)	Diagonale tang	Striptang
				
PH2 schroevendraaier (koppelbereik: 0-5 Nm)	Rubberen hamer	Hobbymes	Kabelschaar	Krimptang
				
Kabelkrimptang	Demontage- en montagegereedschap van PV-connector	Stofzuiger	Krimpkous	Hittepistool
				
Marker	Meetlint	Bellenwaterpas of digitale waterpas	Anti-stofmasker	Veiligheidschoenen
				
Veiligheids-handschoenen	Veiligheidsbril			

## 5.5. Vereisten voor montage



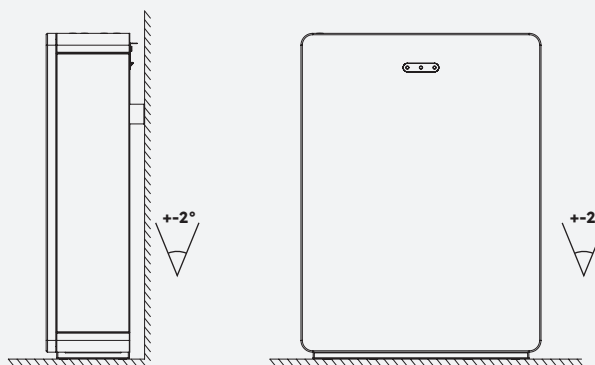
Ondanks zorgvuldige constructie kunnen elektrische apparaten brand veroorzaken.

- Monteer het energieopslagsysteem niet in ruimten met licht ontvlambare materialen of gassen.
- Monteer het systeem niet in omgevingen met explosiegevaar.

Type	Vereisten
<b>Basis</b>	<ul style="list-style-type: none"><li>• Het SunPower Reserve-systeem is geschikt voor gebruik binnen en buiten.</li><li>• Installeer de omvormer niet op een plek waar iemand hem gemakkelijk kan aanraken, omdat de behuizing en deksel tijdens bedrijf erg heet kunnen worden.</li><li>• Monteer het systeem niet in omgevingen met ontvlambare of explosieve materialen.</li><li>• Monteer het systeem niet binnen het bereik van kinderen.</li><li>• Monteer het systeem niet buiten in zoutgebieden omdat het daar zal corroderen en brand kan veroorzaken. Een zout gebied verwijst naar het gebied binnen 500 m van de kust of gevoelig voor zeewind.</li></ul>
<b>Montageomgeving</b>	<ul style="list-style-type: none"><li>• Het systeem moet in een goed geventileerde omgeving worden gemonteerd voor een goede warmteafvoer.</li><li>• Monteer het systeem niet op plaatsen waar het kan worden blootgesteld aan zonlicht. Het vermogen van het systeem kan afnemen door extra warmte.</li><li>• Monteer het systeem op een beschutte plek of monteer een luifel over het product.</li><li>• Het optimale temperatuurbereik voor de batterij-eenheid is 15 °C tot 30 °C en niet blootgesteld aan zonlicht.</li><li>• Niet blootstellen aan of plaatsen in de buurt van waterbronnen zoals regenpijpen of sproeiers.</li><li>• Als de batterij-eenheid wordt gemonteerd in een gebied waar voertuigen aanwezig zijn, zorg dan voor mechanische bescherming tegen voertuigen.</li></ul>
<b>Montagestructuur</b>	<ul style="list-style-type: none"><li>• Het montageoppervlak achter het systeem mag geen verspreiding van vuur toestaan.</li><li>• Zorg ervoor dat de montagevloer stevig is en het gewicht van het systeem kan dragen.</li></ul>

### Montagehoek en stapel

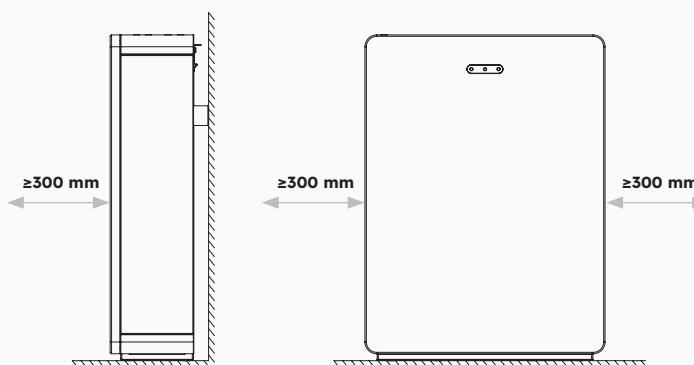
- De omvormer moet op de batterij worden gemonteerd. De vereiste installatiehoek is:



- Plaats de batterij niet voorover gekanteld, zijwaarts gekanteld, horizontaal of ondersteboven.

### Montageruimte

- Reserveer voldoende vrije ruimte rond het product om voldoende ruimte te garanderen voor installatie, onderhoud en warmteafvoer.
- De zijspeling is een aanbeveling. Houd de speling zo kort mogelijk als dat geen invloed heeft op de werking en het onderhoud.

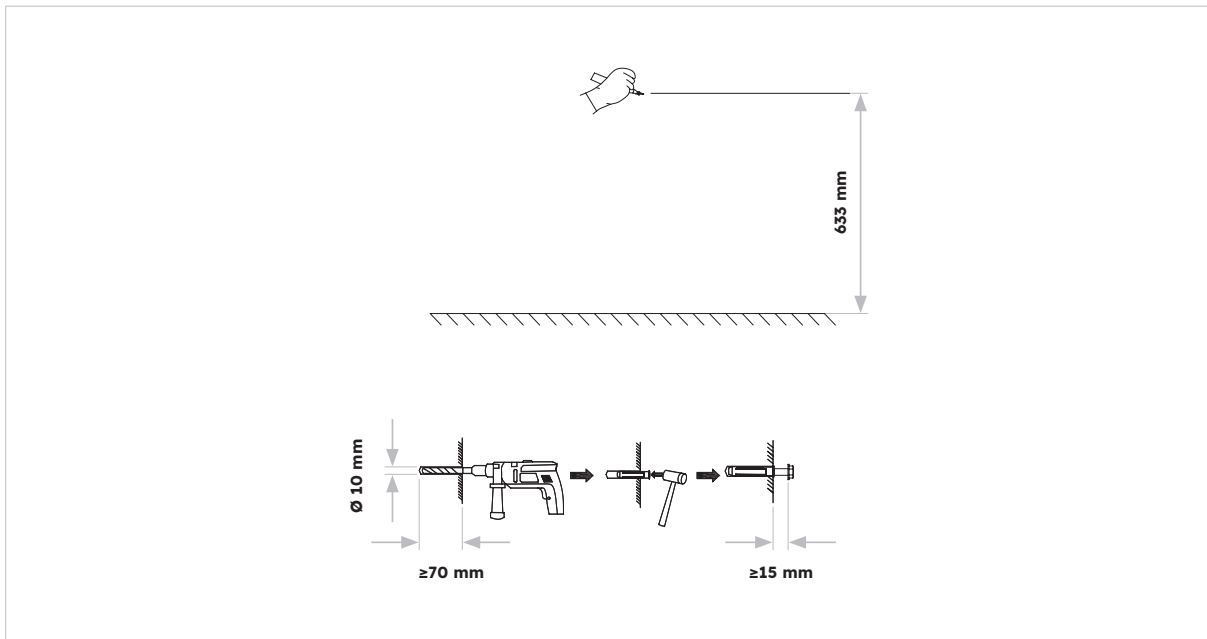


## 5.6 Het energieopslagsysteem monteren

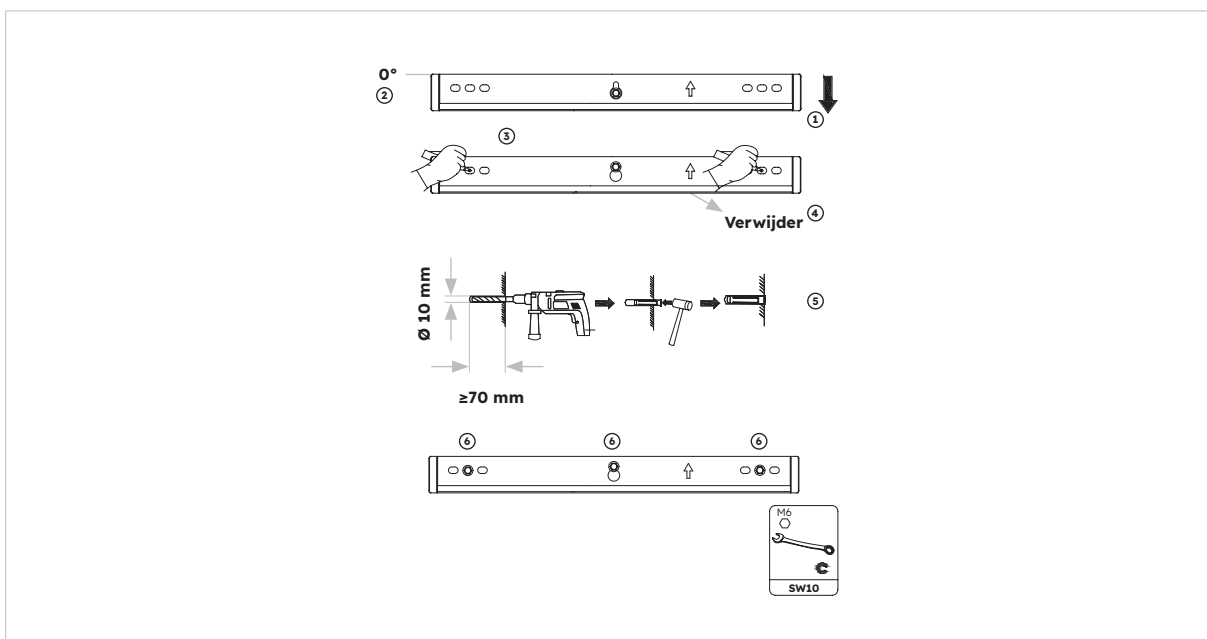
### 5.6.1. De batterij monteren

#### Instructies voor batterijmontage:

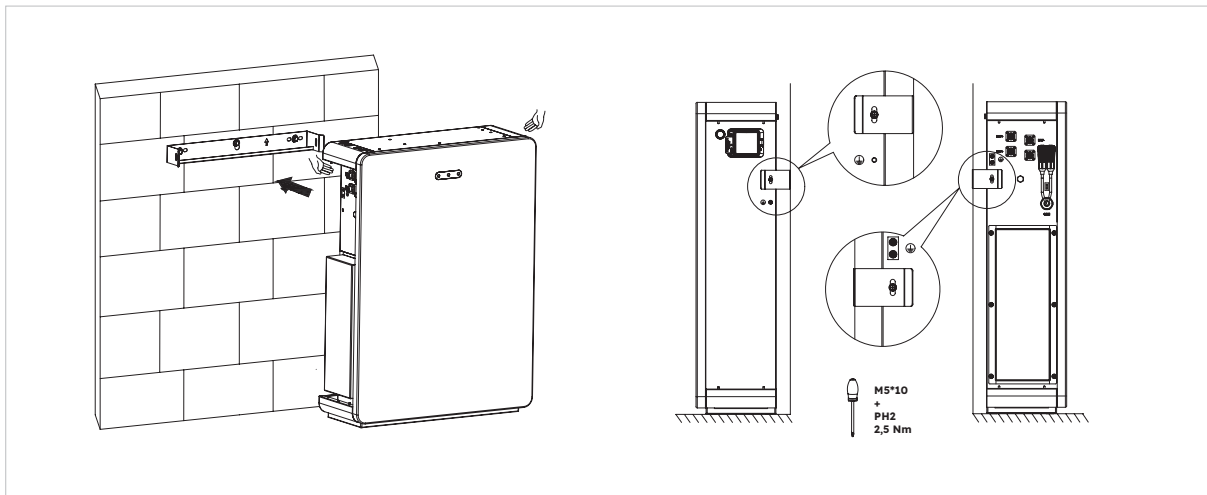
1. Haal de batterij uit de doos en vervoer hem naar de plaats van installatie met een geschikte handkar met vastzetvoorziening.



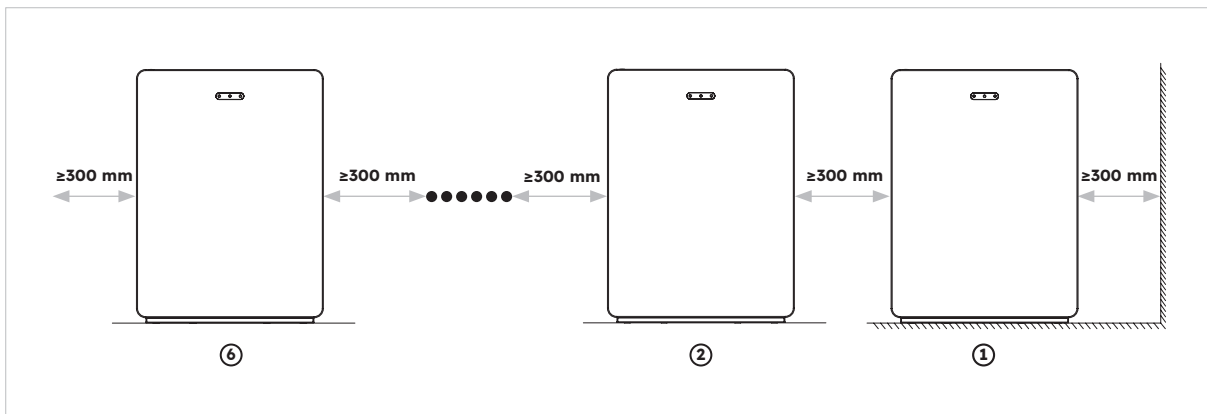
2. Markeer de gaten en monteer de wandpanelen. Zorg ervoor dat de ondergrond onder de batterij(en) stevig en vlak is.



3. Bevestig de batterij op de muurbeugel met twee M5\*10 schroeven.



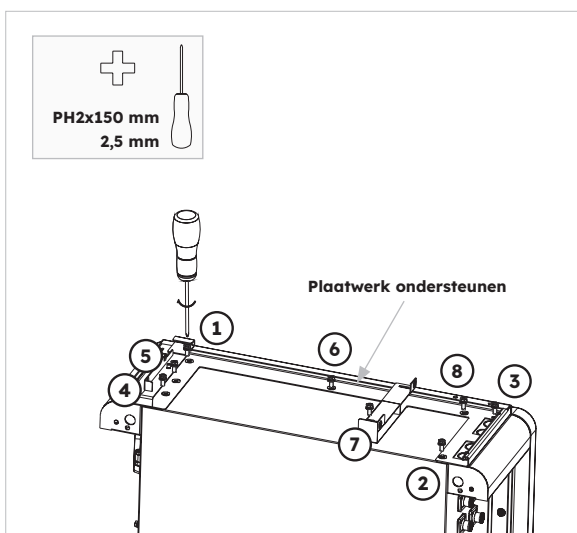
4. Volg de bovenstaande stappen om extra batterijen (max. 6 stuks) te monteren:



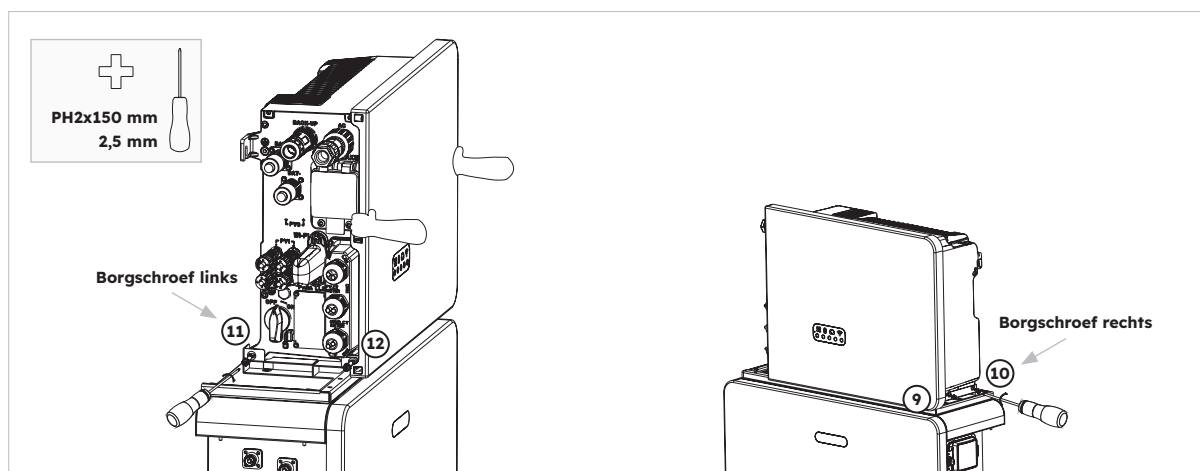
## 5.6.2. De omvormer monteren

Instructies voor montage van de omvormer:

1. Plaats de omvormerbasis op de bovenkant van de batterij en bevestig hem.



2. Bevestig de omvormer aan de zijkanten van de omvormerbasis en borg de linkerschroeven:



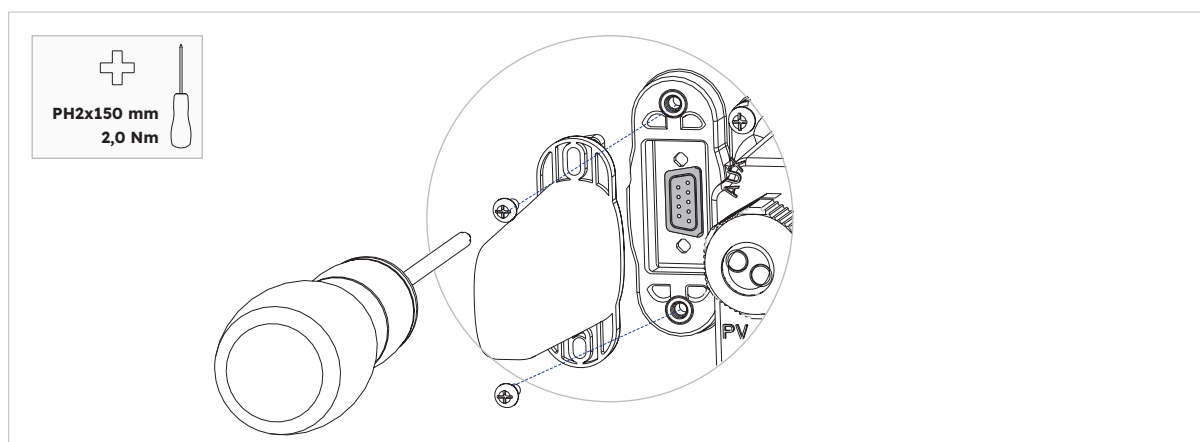
### 5.6.3. De wifi-module monteren

Instructies voor montage van de omvormer

1. Verwijder het stofbeschermkapje van de linkerzijde van de omvormer



2. Draai de wifi-module vast op de omvormer met schroef M4\*10 (x2)



Opmerking: je kunt er de voorkeur aan geven om de wifi-dongle als laatste te installeren voor maximale toegang voor het aansluiten van de elektriciteitskabels.

## 6.0 Elektrische aansluiting



Schade aan het energieopslagsysteem door onjuiste kabelaansluitingen valt niet onder de garantie. Alleen gecertificeerde elektriciens mogen kabels aansluiten. Bedieningspersoneel moet de juiste persoonlijke beschermingsmiddelen (PPE) dragen bij het aansluiten van kabels.



Voordat je kabels aansluit, moet je ervoor zorgen dat alle lastscheiders en schakelaars van het energieopslagsysteem op UIT staan. Anders kan de gevaarlijke spanning van het systeem elektrische schokken veroorzaken.



De kabelkleuren in de elektrische aansluitschema's in dit hoofdstuk dienen alleen ter referentie. Selecteer kabels in overeenstemming met de plaatselijke kabelspecificaties (groen-gele kabels worden alleen gebruikt voor PE).

### 6.1. Kabelvereisten voor aansluiting

Nr.	Kabel	Type	Diameter geleider	Buitendiam.	Bron
1	Batterijvoedingskabels met omvormer	Standaard PV-kabel in de industrie	16 mm <sup>2</sup>	N.v.t.	Geleverd met de omvormer
2	Batterij-communicatiekabel met omvormer	Standaardnetwerkkabel in de industrie	0,12-0,20 mm <sup>2</sup>	N.v.t.	Geleverd met de omvormer
3 <sub>1</sub>	Signaalkabel	Standaardnetwerkkabel in de industrie	0,12-0,20 mm <sup>2</sup>	N.v.t.	Geleverd met de omvormer
4	PV-voedingskabel	Standaard PV-kabel in de industrie (aanbevolen type: PV1-F)	4-6 mm <sup>2</sup>	5,5-9 mm	Gekocht door de installateur
5 <sub>2</sub>	Signaalkabel	Standaardnetwerkkabel in de industrie (aanbevolen type: C-buskabel)	0,12-0,20 mm <sup>2</sup>	4-6 mm	Gekocht door de installateur
6 <sub>3</sub>	Signaalkabel	Meeraderige buiten afgeschermd twisted-pair kabel	0,1-1,3 mm <sup>2</sup>	4-6 mm	Gekocht door de installateur
7	AC-voedingskabel voor back-up	YMKV-kabel met 3 aders (L, N en PE)	4-6 mm <sup>2</sup>	10-14 mm	Gekocht door de installateur
8	AC-voedingskabel voor net	YMKV-kabel met 3 aders (L, N en PE)	6-10 mm <sup>2</sup>	9-18 mm	Gekocht door de installateur



9	Aardekabel	Eenaderig buiten koperen kabel	4-10 mm <sup>2</sup>	N.v.t.	Gekocht door de installateur
10	Voedingskabels voor uitbreidingsbatterij	Standaard PV-kabel in de industrie	16 mm <sup>2</sup>	N.v.t.	Geleverd met de batterij
11	Uitbreidingsbatterij communicatiekabel	Standaardnetwerkkabel in de industrie (aanbevolen type: C-bus)	0,12 - 0,20 mm <sup>2</sup>	N.v.t.	Geleverd met de batterij

<sup>1</sup> Voor CT-communicatieaansluiting met omvormer.

<sup>2</sup> Voor communicatieaansluiting van CAN/RS485, LAN, Meter, DRM met omvormer.

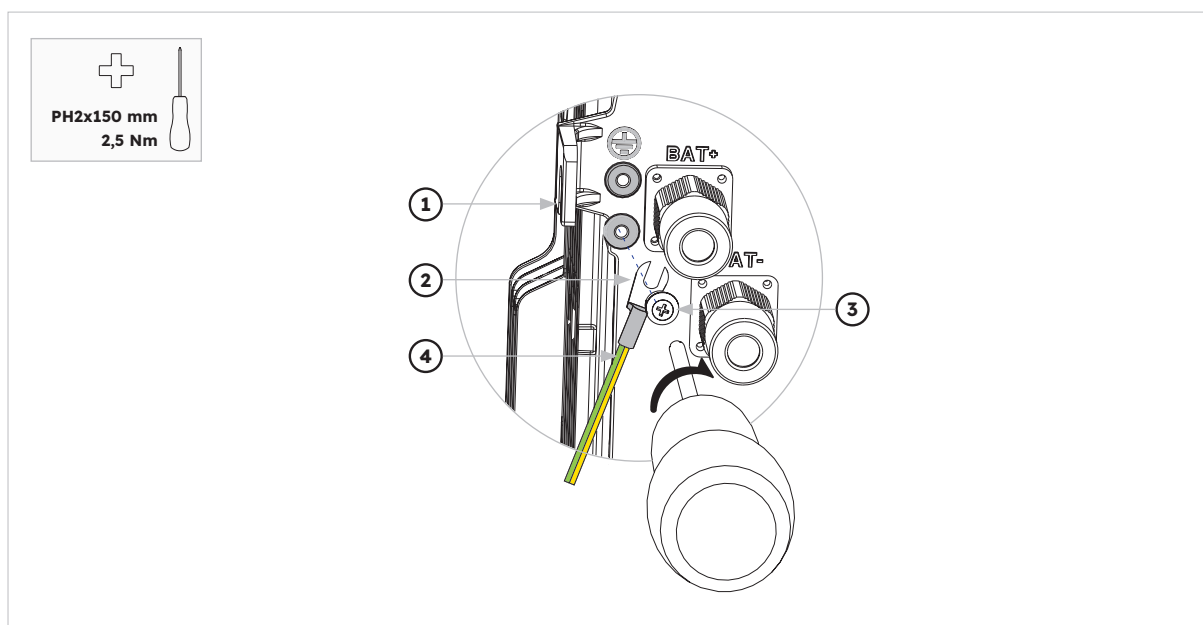
<sup>3</sup> Voor AUX-communicatieaansluiting met omvormer.

## 6.2 Extra aarding aansluiten



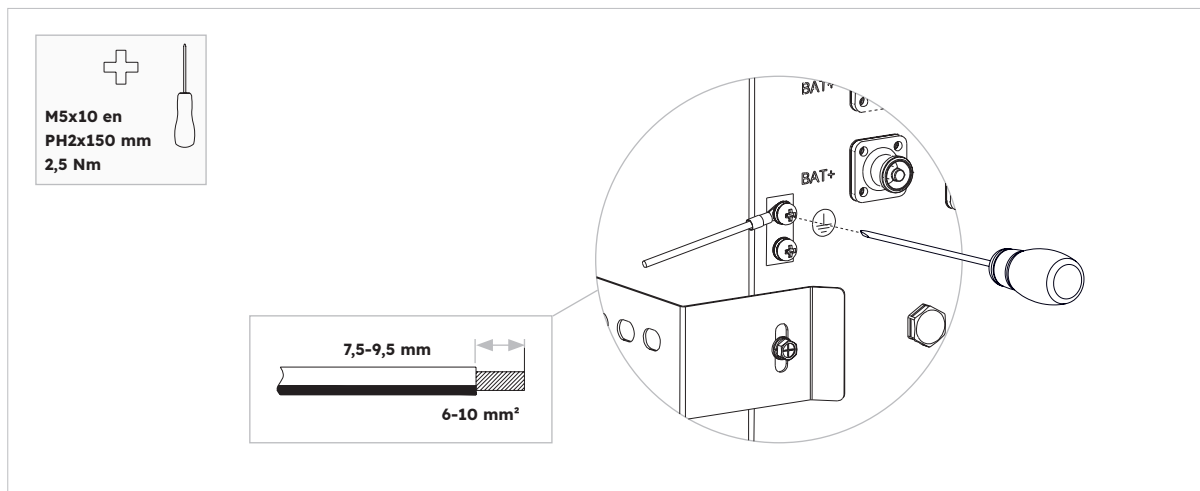
**Risico op elektrische schokken:** Voordat je een elektrische aansluiting maakt, moet je ervoor zorgen dat de PV-schakelaar en alle AC-lastscheiders en batterij-lastscheiders in het energieopslagsysteem zijn uitgeschakeld en niet opnieuw geactiveerd kunnen worden.

Linksboven op de omvormer zit een extern aardingspunt. Maak M5 OT-klemmen klaar, strip de isolatie van de aardingskabel, steek het gestripte deel van de aardingskabel in de ringkabelschoen en krimp met een krimp tang. Extra aardaansluiting voor omvormer:



Positie	Beschrijving
1	Behuizing
2	M5-kabelschoen, geïsoleerd
3	M5x12 PH2 kopschroef
4	Aardekabel

Aardingsaansluiting voor batterij:



## 6.3. AC-aansluiting

### 6.3.1. Vereisten voor de AC-aansluiting



**GEVAAR**

**Reststroombewakingseenheid:** De omvormer heeft tijdens bedrijf geen externe aardlekschakelaar nodig. Als plaatselijke voorschriften het gebruik van een aardlekschakelaar of een hybride gekoppeld opslagsysteem met grote koppelingcapaciteit van de PV-opstelling en de PV-omvormer vereisen, moet het volgende in acht worden genomen: De omvormer is compatibel met type A aardlekschakelaars met een nominale aardlekstroom van 100 mA of hoger. Elke omvormer in het systeem moet via een aparte aardlekschakelaar worden aangesloten op het elektriciteitsnet.



**GEVAAR**

**Beschermingsmiddelen:** Je moet elke omvormer beveiligen met een individuele installatieautomaat/back-up-lastscheider om ervoor te zorgen dat de omvormer veilig kan worden losgekoppeld.

AC-kabelvereisten als volgt:

- Type geleider: koperdraad
- Buitendiameter: 9 mm tot 18 mm voor netconnector, 10 mm tot 14 mm voor back-up-aansluiting
- Aanbeveling voor diameter van geleider: 10 mm<sup>2</sup> voor netaansluiting, 6 mm<sup>2</sup> voor back-up-aansluiting
- Striplengte isolatie: 10 mm
- Striplengte huls: 50 mm

## 6.3.2. Geschikte AC-lastscheider kiezen



**GEVAAR**

De maximaal toegestane stroom van de installatieautomaat is **50 A** wanneer de diameter van de koperen geleider voor netaansluiting **10 mm<sup>2</sup> is. Op basis van de belastbaarheid van de kabel moet rekening worden gehouden met andere invloeden op de uitvoering.** Je moet de app (SunPower One-app) of het installateurplatform (SunPower One-installateurdashboard) gebruiken om de juiste instelling te selecteren als de stroom van de installatieautomaat 32 A of 40 A is, anders neemt het risico toe dat de installatieautomaat uitschakelt onder normale bedrijfsomstandigheden.



**GEVAAR**

De maximaal toegestane stroom van de installatieautomaat is **40 A** wanneer de diameter van de koperen geleider voor netaansluiting **6 mm<sup>2</sup> (in sommige landen: 8 mm<sup>2</sup>) moet zijn. Op basis van de belastbaarheid van de kabel moet serieus rekening worden gehouden met andere invloeden op de uitvoering.** Je moet de app (SunPower One-app) of het installateurplatform (SunPower One-installateurdashboard) gebruiken om de juiste instelling te selecteren als de stroom van de installatieautomaat 32 A of 40 A is, anders neemt het risico toe dat de installatieautomaat uitschakelt onder normale bedrijfsomstandigheden.

De algemene vereisten voor de selectie van lastscheiders worden bepaald door normen en landspecifieke bepalingen. Hieronder worden algemeen toepasbare invloedsfactoren opgesomd waarmee rekening moet worden gehouden bij het kiezen van een geschikte lastscheider:

- Factoren die de belastbaarheid van de kabel beïnvloeden: type kabel dat wordt gebruikt, omgevingstemperatuur rond de kabel, type kabelgeleiding, bundeling van kabels.
- Andere invloeden op de uitvoering: lusimpedantie, wederzijdse verwarming van lastscheiders, omgevingstemperatuur bij de lastscheider, selectiviteit, type aangesloten apparaat.

Als deze factoren worden genegeerd, neemt het risico toe dat de lastscheider uitschakelt onder normale bedrijfsomstandigheden.

Beschrijving	Max. stroom	Grootte lastscheider voor RESERVE-INV-1-P5-L1-INT
Netzijde	43,5 A	32/40/50 A
Back-up-zijde	21,7 A	32 A

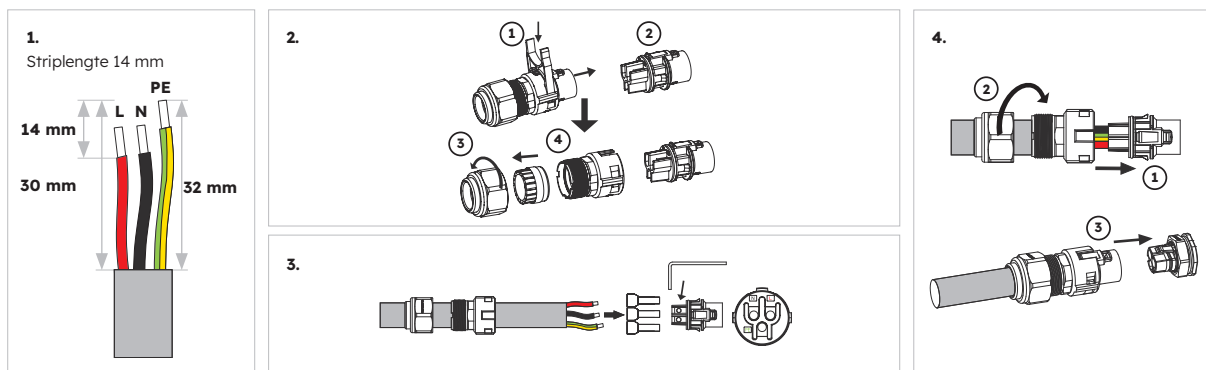
## 6.3.3. Net- en back-up-aansluiting

### Instructies voor net- en back-up-connector:

1. Schakel de lastscheiders uit en beveilig ze tegen opnieuw inschakelen.
2. Strip de AC-kabel 50 mm.
3. Kort L en N elk 2 mm in, zodat de aardgeleider 2 mm langer is. Dit zorgt ervoor dat de aardgeleider bij trekspanning als laatste van de schroefklem wordt getrokken.

4. Strip de isolatie van L, N en de aardgeleider 10 mm.
5. In het geval van fijnaderige draad moeten L, N en PE worden voorzien van adereindhulzen.
6. Demonteer de AC-connector en sluit de geleiders aan op de AC-connector.
7. Controleer of alle geleiders goed zijn aangesloten op de AC-connector en zet de AC-connector in elkaar.
8. Steek de netconnector in de netaansluiting. Lijn daarbij de netconnector zo uit dat het lipje op de netaansluiting van de omvormer in de opening op de netconnector steekt.
9. Voor een back-up-aansluiting sluit je de back-up-connector aan op de back-up-aansluiting van de omvormer en draai je hem rechtsonder stevig vast.

### De netconnector aansluiten:



Controleer of de connector correct is geïnstalleerd.

## De back-up-connector aansluiten:

**1.**

Ca. 24 mm  
Voor "L" en "N"

Ca. 26 mm voor PE

YMKV-kabel met 3 aders (L, N en PE)  
Diameter geleider: 4-6 mm<sup>2</sup>

**2.**

Steek de geleiders voorzien van de adereindhuls L, N en PE in de corresponderende aansluitklemmen en draai de schroeven vast (koppel 1,5 ±0,1 Nm)

Zet de vergrendelkap, draadbus en wartelmoer in elkaar

**3.**

Steek de connector in de aansluiting en draai deze stevig vast

Controleer of de connector correct is geïnstalleerd.



Voor installaties in Australië en Nieuw-Zeeland wordt de nulleider intern geschakeld tussen de net- en back-up-poorten van de omvormer. De nulleider van de back-up-poort moet worden aangesloten op de lokale aarding.

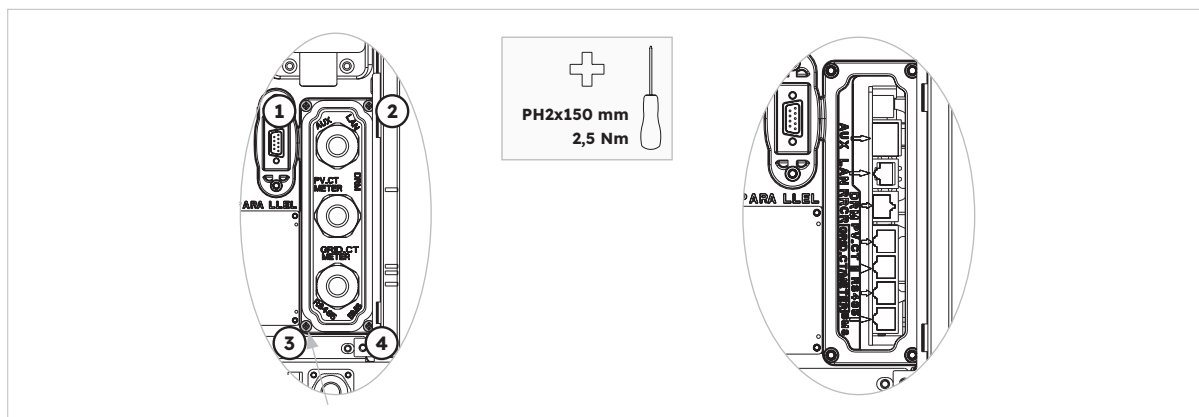
### 6.3.4. CT-waarden

Item	Stroom	Scenario's
CT	100 A	CT

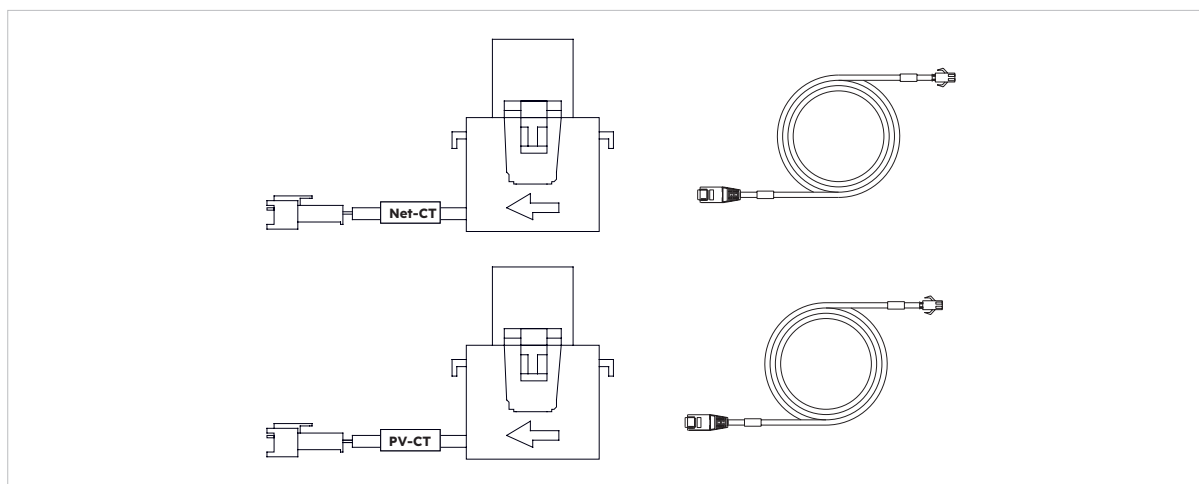
## 6.3.5. CT-aansluiting

### Instructies voor CT-aansluiting:

1. Draai de wartelmoeren van de wartels op het COM-aansluitdeksel van de omvormer los en draai de 4 schroeven op de hoeken los, waarna je de poorten voor de net-CT, PV-CT en metercommunicatie ziet. Laat de schroeven op het deksel zitten.



2. Zoek de meegeleverde net-CT en PV-CT.

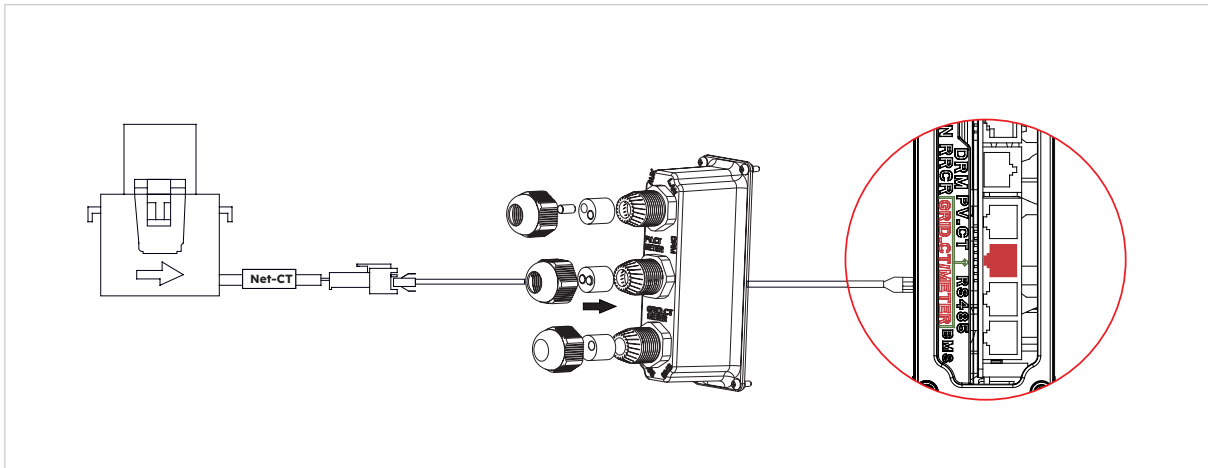


3. Leid de CT-kabel door de wartel van het COM-aansluitdeksel, draai de wartelmoeren van de wartels niet vast.
4. Steek de RJ45-stekkers in de betreffende RJ45-aansluitingen.
5. Bevestig de magnetische sluiting van de net-CT op de stroomvoerende huiskabel. De pijl op de magnetische sluiting van de net-CT moet naar de netpoort van de omvormer wijzen.
6. Voor hybride of AC-gekoppelde opslagsysteemtoepassing, maak de magnetische sluiting van de PV-CT vast aan de stroomvoerende kabel van de geïnstalleerde PV-omvormer. De pijl op de magnetische sluiting van de PV-CT moet naar het elektriciteitsnet wijzen.
7. Sluit de CT-kabels aan op respectievelijk de net-CT en de PV-CT.

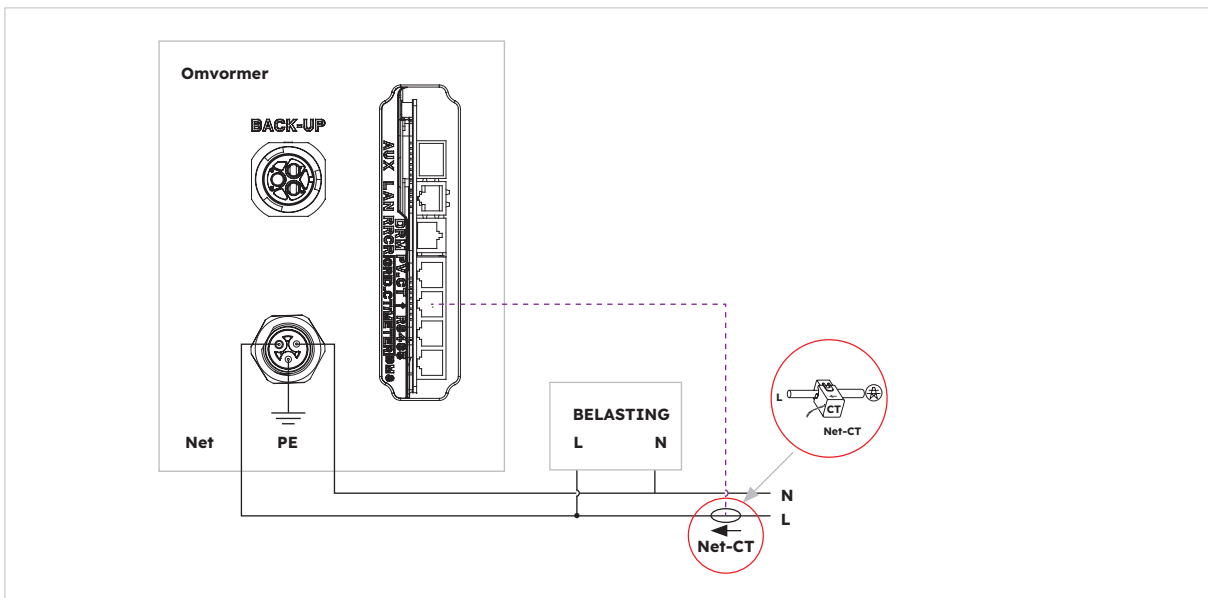


**TIP**

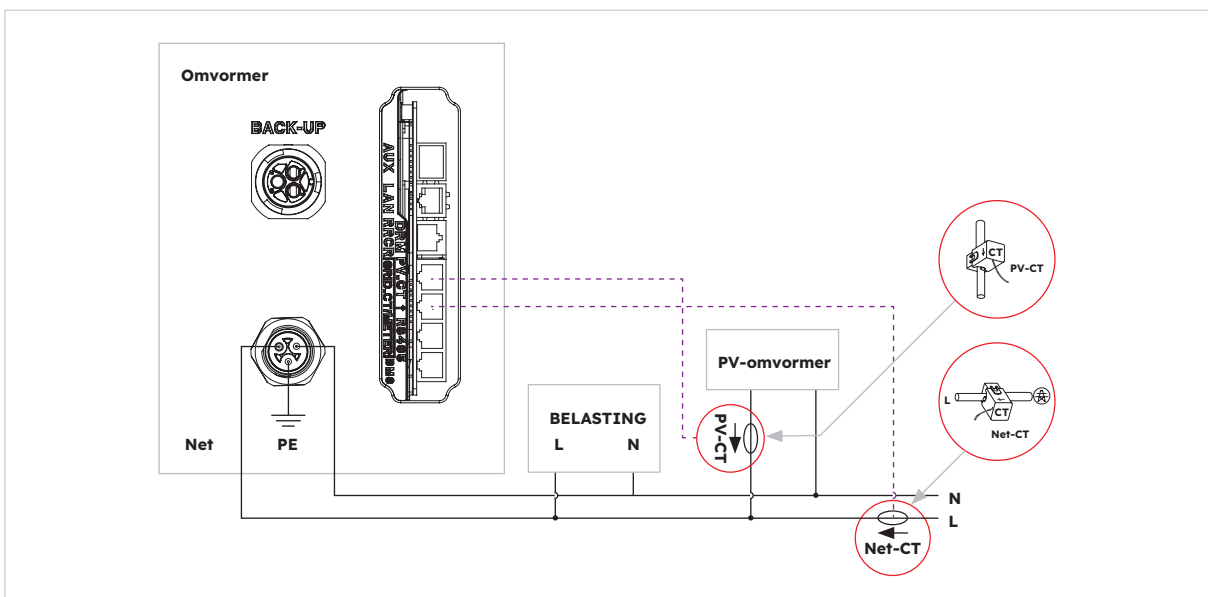
De CT-kabel met de aanduiding net-CT moet worden aangesloten op de net-CT en de CT-kabel met de aanduiding PV-CT moet worden aangesloten op de PV-CT.



### CT-plaatsing in DC-gekoppeld opslagsysteem



### CT-plaatsing in AC-gekoppeld en hybride gekoppeld opslagsysteem



## 6.3.6. Meteraansluiting

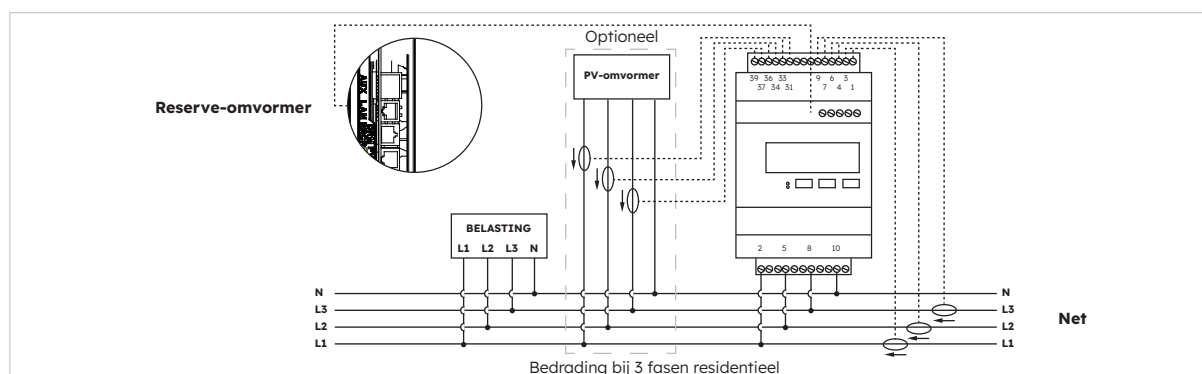
Het systeem ondersteunt een externe SunPower Reserve-meter. De meter kan worden geïnstalleerd op een 1-, 2- of 3-fasige netvoeding van 220-240 V met 4 draden.

Een SunPower Reserve-meter wordt aanbevolen wanneer het meetpunt voor het elektriciteitsnet meer dan 20 m is verwijderd van de SunPower Reserve. Een SunPower Reserve-meter kan tot 80 m van de SunPower Reserve worden geplaatst en worden aangesloten met een RS485-kabel.

De SunPower Reserve-meter wordt geleverd met zes 100A-stroomtransformatoren (CT's); drie voor monitoring van het elektriciteitsnet en drie voor monitoring van een PV-omvormer. De meter is speciaal geprogrammeerd voor communicatie met de SunPower Reserve.

Installatie van alle zes CT's is optioneel. In een installatie met een 3-fasige voeding en een PV-omvormer op één fase bijvoorbeeld zijn slechts vier CT's nodig. Er zouden drie CT's worden geïnstalleerd om het elektriciteitsnet te monitoren en één PV-CT om een PV-omvormer te monitoren. Raadpleeg de bedradingschema's voor meer informatie.

### Aansluiting en richting van CT's op driefasige meter (met 6 CT's)



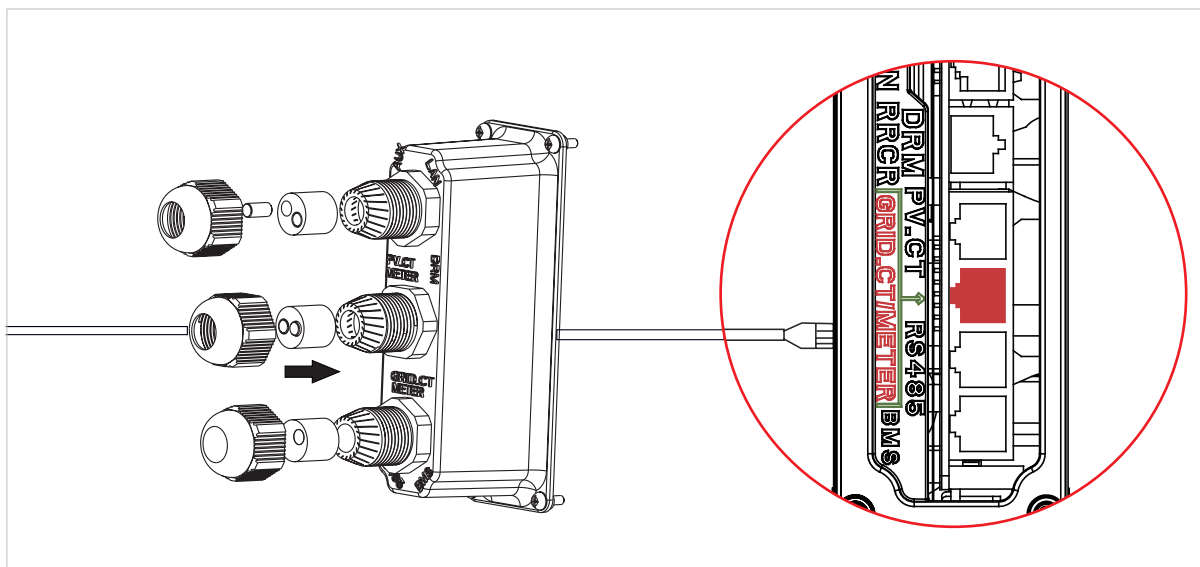
### Identificatie van CT-bedrading

De meter wordt geleverd met 6 CT's die gelabeld zijn. Neem de onderstaande tabel in acht om de CT's aan te sluiten op de juiste aansluitingen van de meter.

	NET-CT			PV CT			Net	
Fase	Label	Draadkleur	Meteraansluiting	Label	Draadkleur	Meteraansluiting	Label	Meteraansluiting
L1	IA*	Wit	1	IA*	Wit	31	L1	2
	IA	Blauw	3	IA	Blauw	33	L2	5
L2	IB*	Wit	4	IB*	Wit	34	L3	8
	IB	Blauw	6	IB	Blauw	36	N	10
L3	IC*	Wit	7	IC*	Wit	37		
	IC	Blauw	9	IC	Blauw	39		



## Aansluiten op de omvormer



### Meterinstelling in de SunPower One-app voor inbedrijfstelling

Tijdens de inbedrijfstelling moet voor de meteroptie 'Meter' worden geselecteerd in plaats van de standaardwaarde 'CT'.

### Probleemoplossing

Belastingen worden niet correct gemeten	Zet de PV uit. Koppel de elektriciteitsnet-CT's L2 en L3 los. Gebruik een stroomklem om te controleren of de meting overeenkomt met de realtimegegevens op het webportal. Is dat niet het geval, controleer dan of de meterspanningsaansluitingen (2, 5, 8, 10) goed zijn bedraad; L1 moet zijn aangesloten op pen 2 van de meter en de neutrale draad op pen 10. Controleer of de CT niet is omgekeerd. Herhaal dit voor iedere fase.
CT's worden na installatie niet geactiveerd	CT's zijn alleen nodig als een meting is vereist; als bijvoorbeeld een 1-fasige PV-omvormer alleen op L2 wordt geïnstalleerd, is een PV-CT voor L2 vereist, maar geldt dat niet voor PV-CT's voor L1 en L3.
Lage metingen op L2 en L3	Zorg dat alle fasespanningen van de voeding zijn aangesloten op de meter; de metaansluitingen 5 en 8 bijvoorbeeld moeten zijn aangesloten op L2 en L3 op een locatie met 3 fasen.

## 6.4 PV-aansluiting

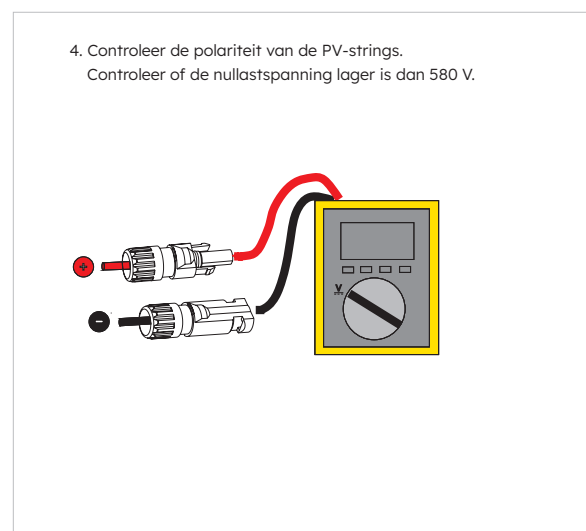
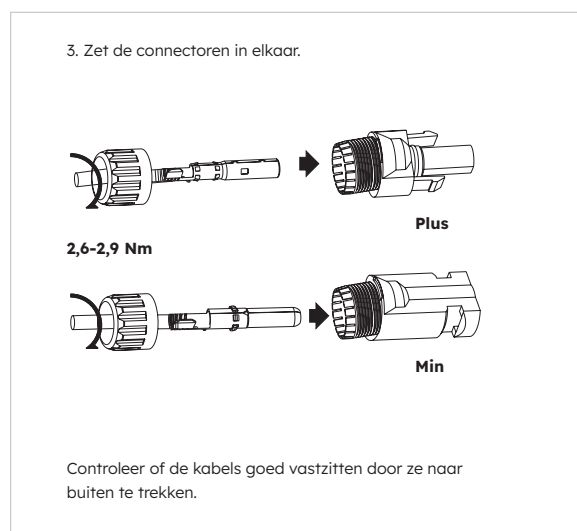
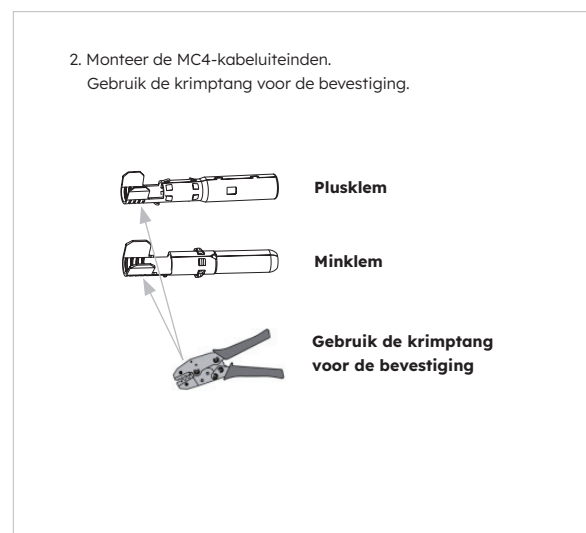
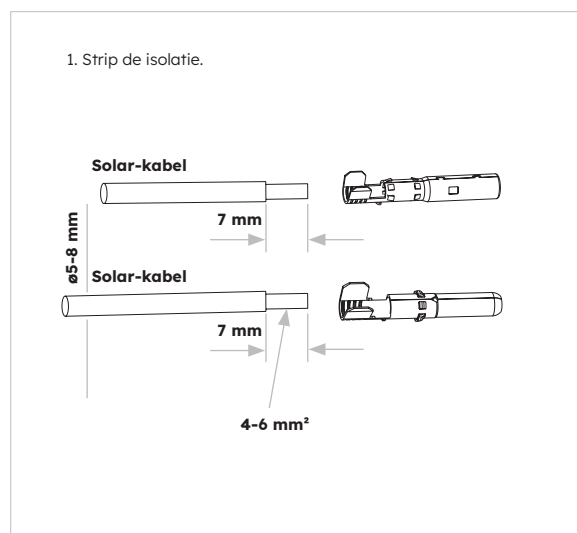
Controleer het volgende voordat je PV-strings aansluit op de omvormer:

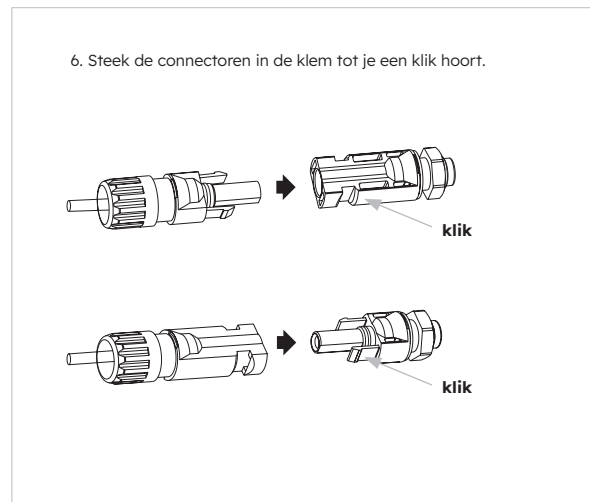
- Controleer of de open spanning van de PV-strings niet hoger is dan de maximale DC-ingangsspanning (580 V DC). Bij overtreding van deze voorwaarde vervalt de garantie.
- Controleer of de polariteit van de PV-connectoren juist is.
- Controleer of de PV-schakelaar, de batterij-lastscheiders, AC-BACK-UP-VOEDING en AC-NETVOEDING allemaal in de uit-stand staan.
- Controleer of de PV-weerstand ten opzichte van massa hoger is dan 200 k $\Omega$ .

De omvormer bevat Staubli MC4 PV-connectoren.

Volg de onderstaande afbeelding om de PV-connectoren te monteren.

Eisen aan de diameter van PV-geleiders: 4-6 mm<sup>2</sup>



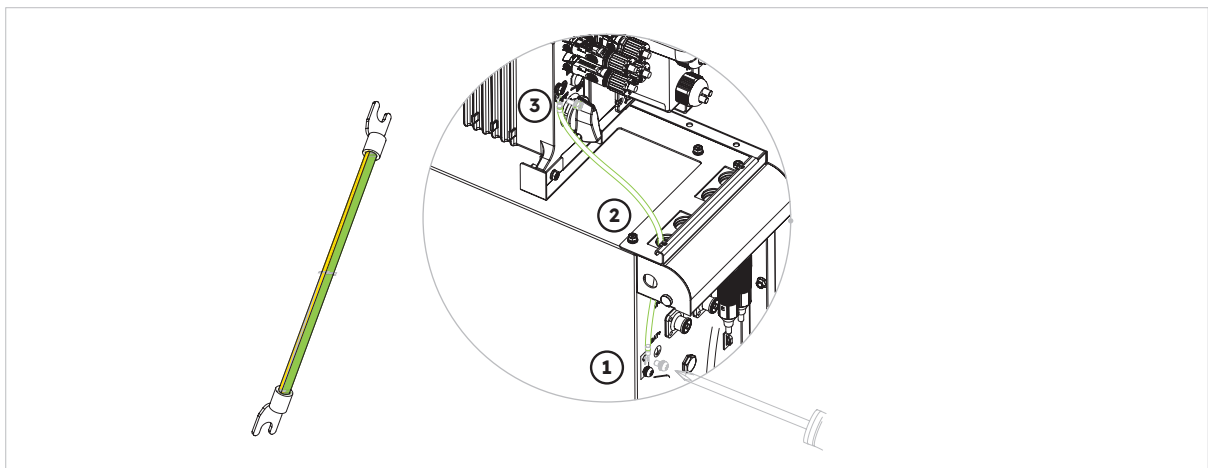


## 6.5 Elektrische aansluiting tussen de omvormer en batterij-eenheden

### 6.5.1. Elektrische aansluiting tussen de omvormer en de eerste batterij

#### Instructies voor elektrische aansluiting:

1. Neem de aardingskabel uit de verpakking van de omvormer.
2. Sluit de aardingskabel aan op de omvormer en batterij-eenheden.

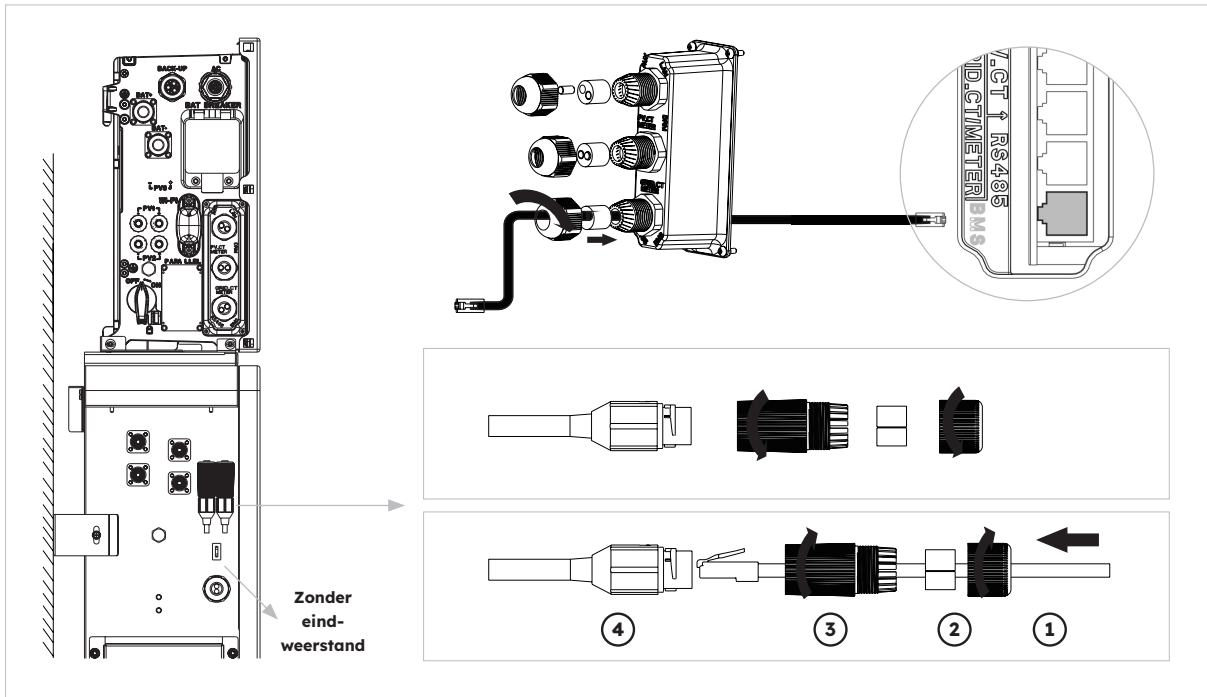


### 6.5.2. Aansluiting communicatiekabel

#### Instructies voor communicatieaansluiting:

1. Neem de batterijcommunicatiekabel uit het omvormerpakket
2. Leid de batterijcommunicatiekabel door de kabeldoorvoer van het COM-aansluitdeksel van de omvormer, draai de wartelmoeren van de kabeldoorvoeren niet vast, steek de RJ45-stekker in de BMS-communicatiepoort van de omvormer. Steek de andere RJ45-stekker in de betreffende RJ45-aansluitingen van de batterij.

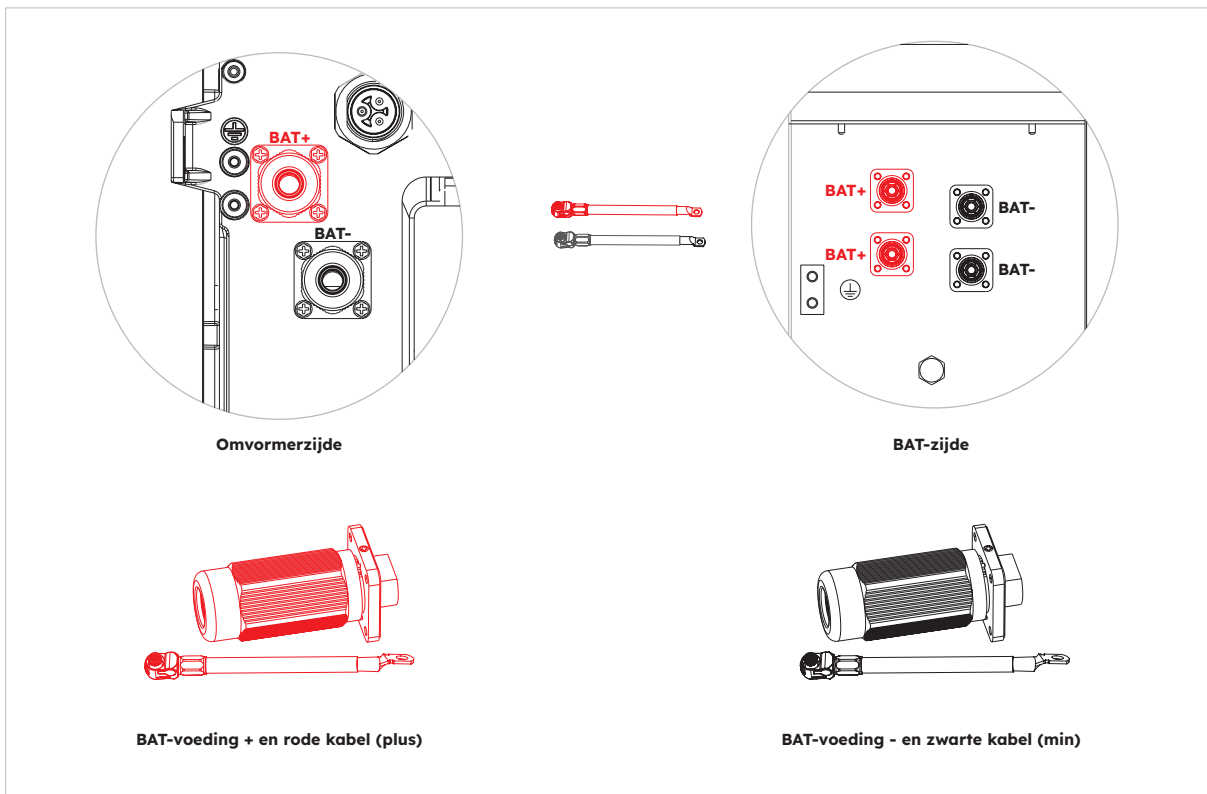
Opmerking: De magnetische ring op de batterijcommunicatiekabel moet zich dicht bij de kant van de omvormer bevinden.



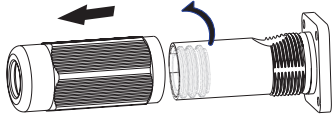
### 6.5.3. Aansluiting voedingskabel

#### Aansluitinstructies voor de voedingskabel:

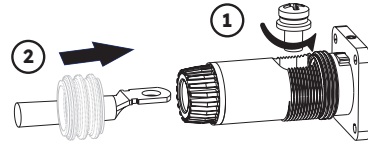
1. Neem de batterijvoedingskabels uit het omvormerpakket.
2. Verwijder de beschermkapjes van de voedingsconnectoren van de batterij.
3. Sluit de batterijvoedingskabels aan op de omvormer en batterij-eenheden.  
Let op de polariteit van de connector, rood is voor de plus van de batterij.



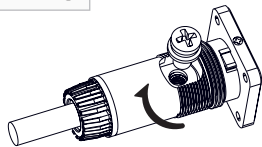
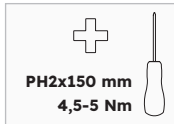
1.



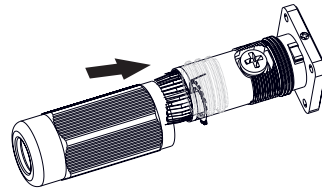
2.



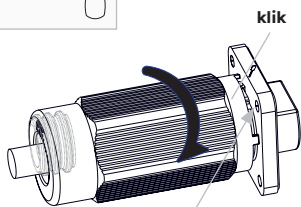
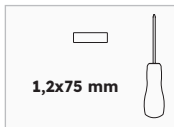
3.



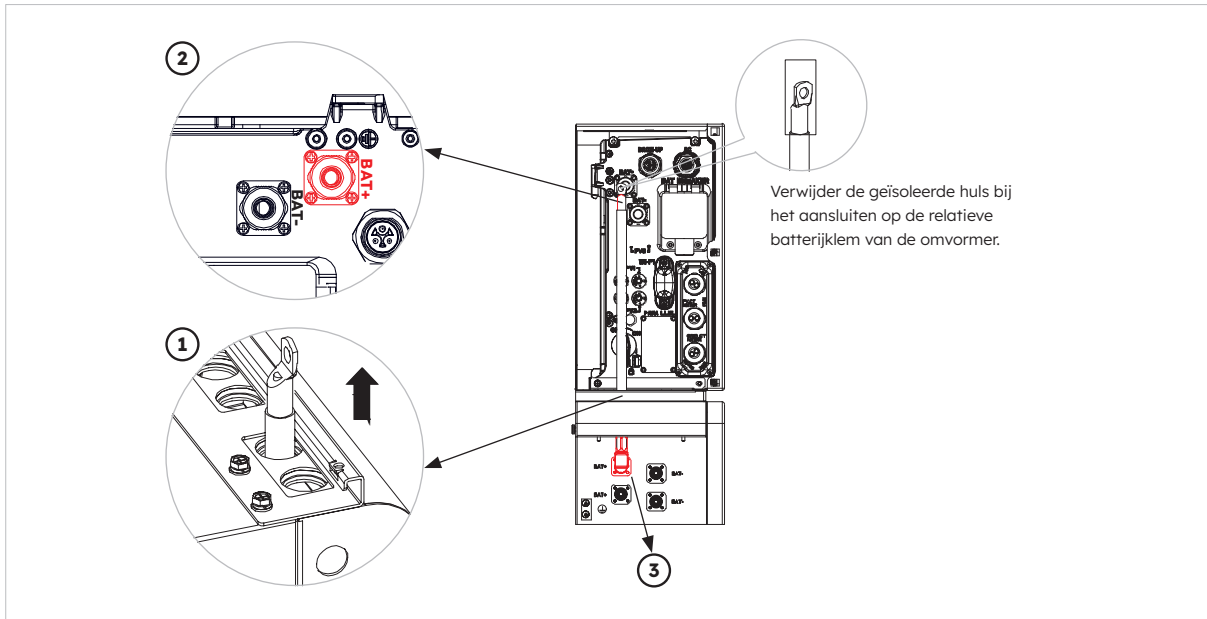
4.



5.



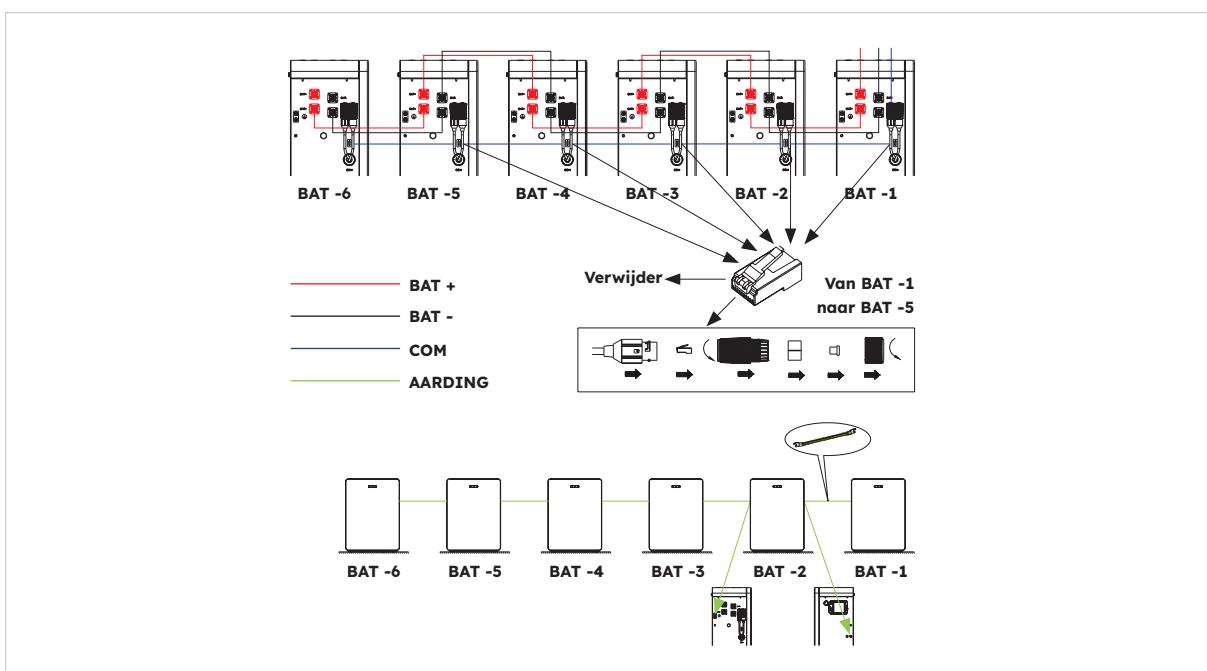
Druk op de sluiting met een platte schroevendraaier als je de wartelmoer losdraait



## 6.5.4. Elektrische aansluiting voor uitbreidingsbatterijen

Elektrische aansluiting voor uitbreidingsbatterijen tot 6 eenheden als volgt:

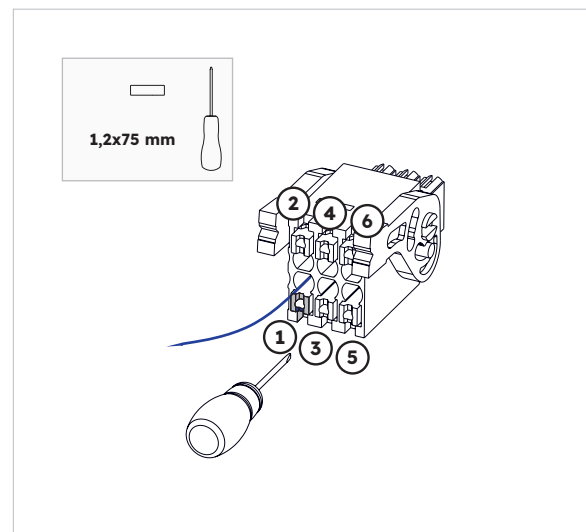
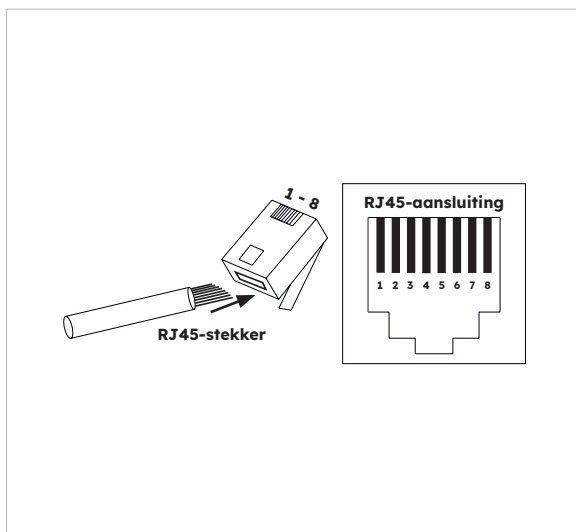
1. Haal de voedingskabels voor de uitbreidingsbatterij en de communicatiekabel uit de batterijverpakking.
2. Verwijder de beschermkapjes van de voedingsconnectoren van de batterij. Sluit de batterijvoedingskabels aan op de twee batterijen.
3. Let op de polariteit van de connector, rood is voor de plus van de batterij.
4. Steek de RJ45-stekkers in de betreffende RJ45-aansluitingen van de batterijen.
5. Bewaar alleen de eindweerstand van de laatste batterij, verwijder de andere eindweerstand.
6. Aard de aansluiting tussen twee batterijen aan de hand van het bijbehorende hoofdstuk 6.2.



## 6.5.5. Andere communicatieaansluiting van omvormer

Voor andere communicatieaansluitingen (AUX, LAN, DRM, RS485) volg je de onderstaande stappen:

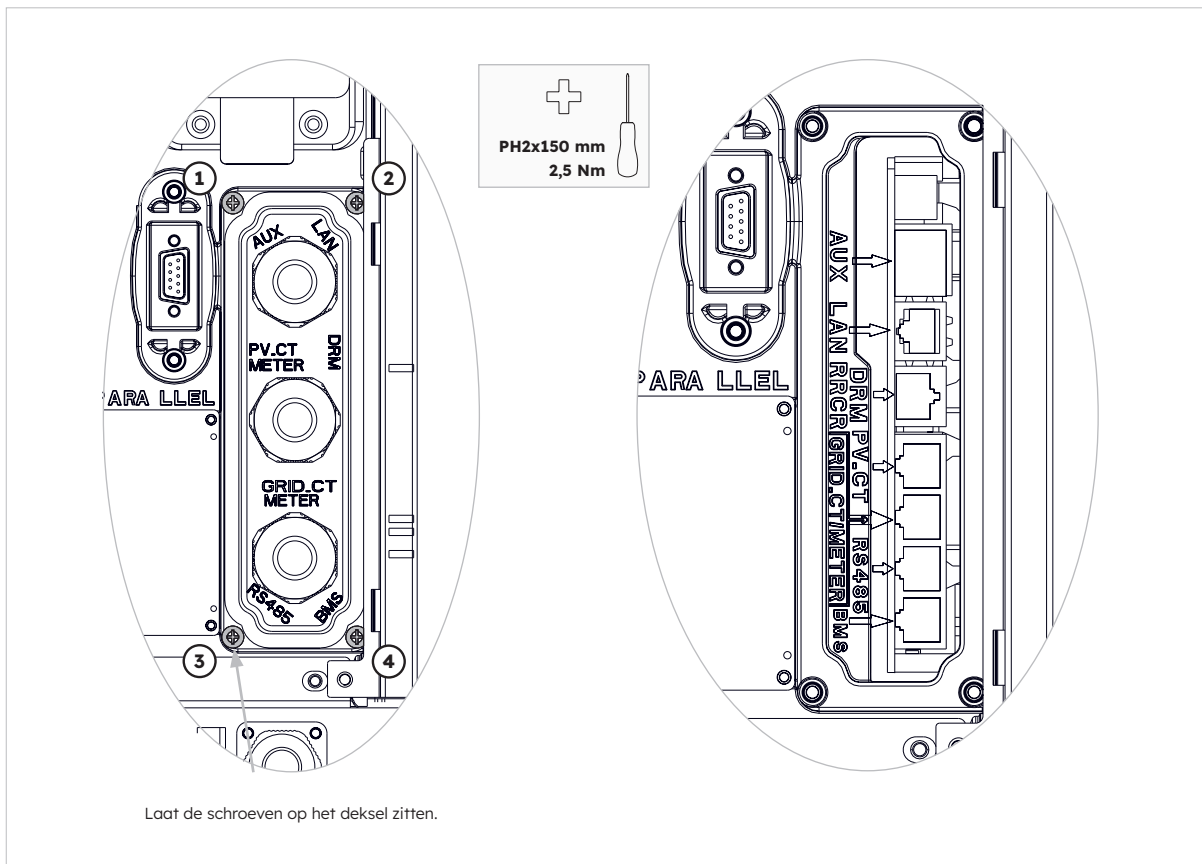
1. Draai de kabelwartels op het COM-aansluitdeksel los en draai vervolgens de 4 schroeven op het COM-aansluitdeksel los.
2. Leid de communicatiekabels door de kabelwartels van het COM-aansluitdeksel, draai de wartelmoeren van de kabelwartels niet vast. Steek de RJ45-stekkers in de betreffende RJ45-aansluitingen.
  - a. Als DRM-ondersteuning is gespecificeerd, mag het systeem alleen worden gebruikt in combinatie met een Demand Response Enabling Device (DRED). Dit zorgt ervoor dat het systeem altijd de opdrachten van de netbeheerder voor beperking van het actieve vermogen uitvoert. Het systeem en het Demand Response Enabling Device (DRED) moeten op hetzelfde netwerk zijn aangesloten. Alleen DRM0 is beschikbaar voor dit product.
  - b. Verwijder het 6-pins klemmenblok voor de AUX-aansluiting. Om bedrading aan te sluiten, steek een schroevendraaier (bladbreedte: 1,2 mm) in de betreffende aansluitingspositie. Zie de AUX-bedradingsdocumentatie voor de definitie van de AUX-positie.



3. Plaats het COM-aansluitdeksel tegen de behuizing van de omvormer en draai de 4 schroeven vast, draai als laatste de wartelmoer van de wartels vast.

De pindefinitie van de communicatiepoorten:

Poort	Pinnummers							
AUX	1	2	3	4	5	6	7	8
	DO1_NO	DO1_COM	DO1_NC	DI_negative	DI_positive	GND		
DRM RRCR	1	2	3	4	5	6	7	8
	DRED 1/5	DRED 2/6	DRED 3/7	DRED 4/8	REF GEN/0	COM LOAD/0	/	/
PV_CT	1	2	3	4	5	6	7	8
	/	/	RS485_A7	/	/	RS485_B7		/
GRID_ CT METER	1	2	3	4	5	6	7	8
	/	/	RS485_A7	/	/	RS485_B7		/
RS485	1	2	3	4	5	6	7	8
	/	/	/	RS485_B5	RS485_A5	/	/	/
BMS	1	2	3	4	5	6	7	8
	/	RS485_A4	/	CAN1_H	CAN1_L	/	RS485_B4	/



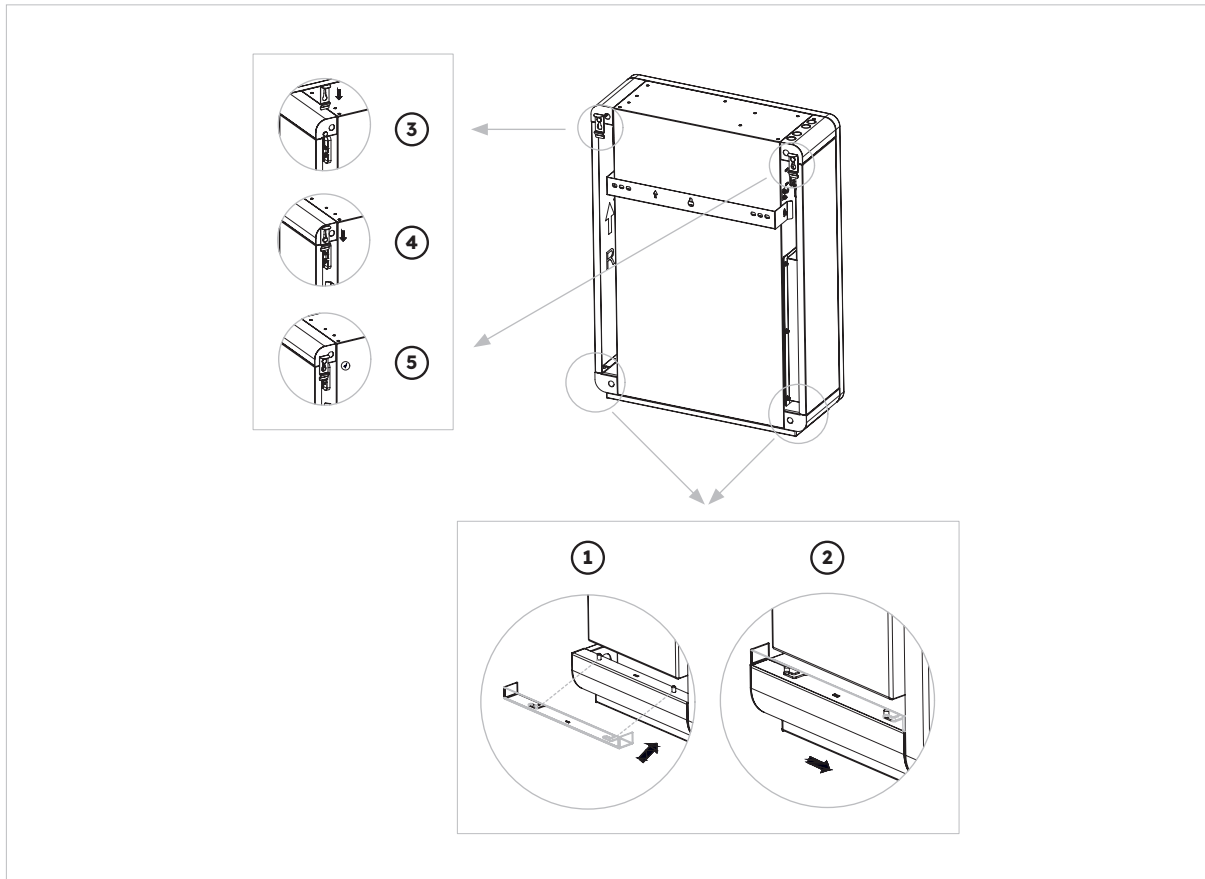


## 6.6. De kappen van de batterij en omvormer monteren

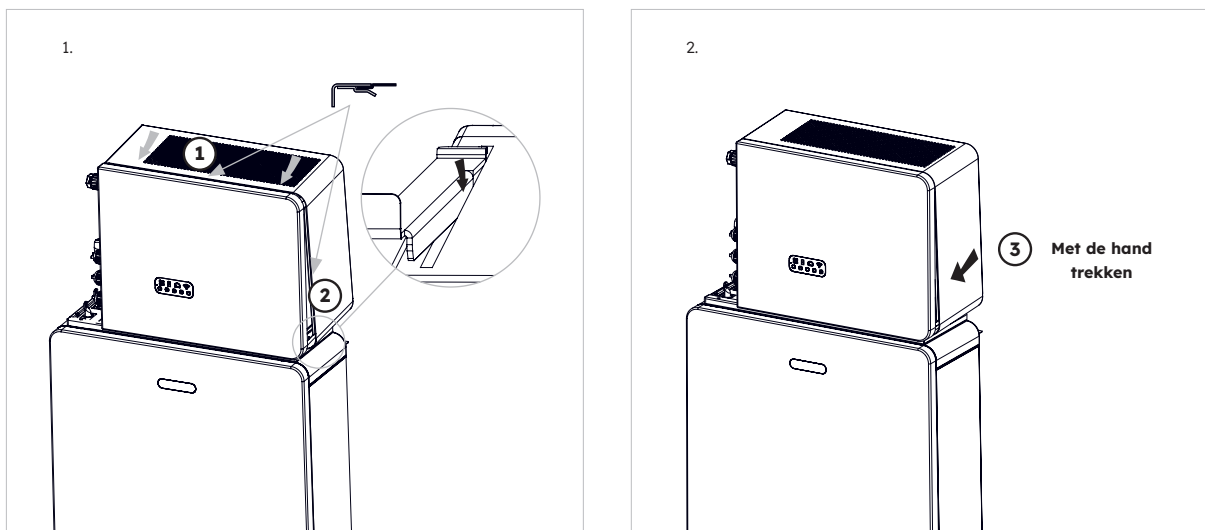
Voer na het voltooiën van de elektrische aansluiting van het energieopslagsysteem de volgende handelingen uit.

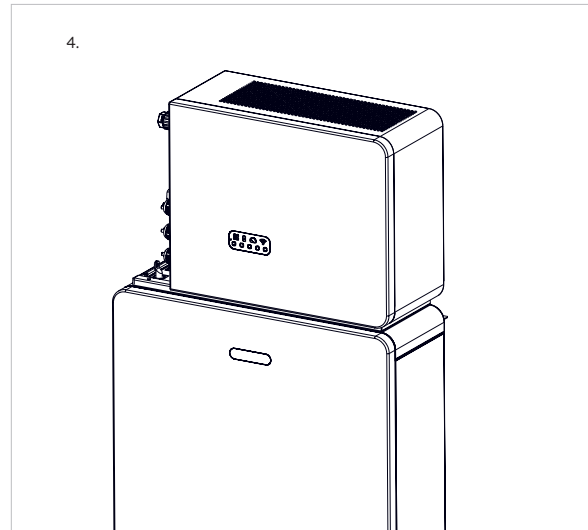
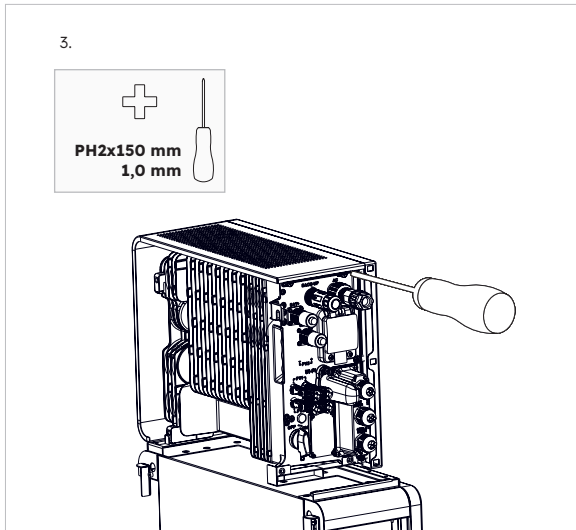
### Instructies:

1. Monteer de zijplaten van de batterij



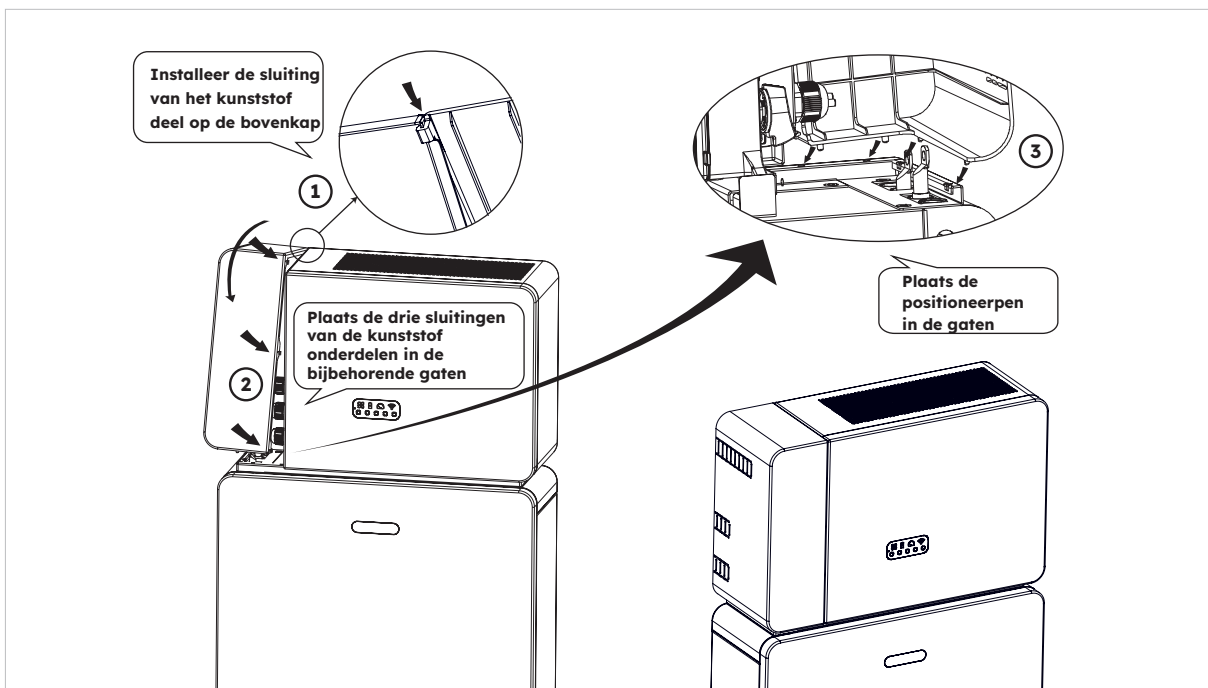
2. Installeer de bovenkap van de omvormer





Het serienummer en de controlecode van de omvormer bevinden zich aan de rechterkant van de omvormer. Zorg ervoor dat je ze hebt genoteerd voordat je deze kap installeert.

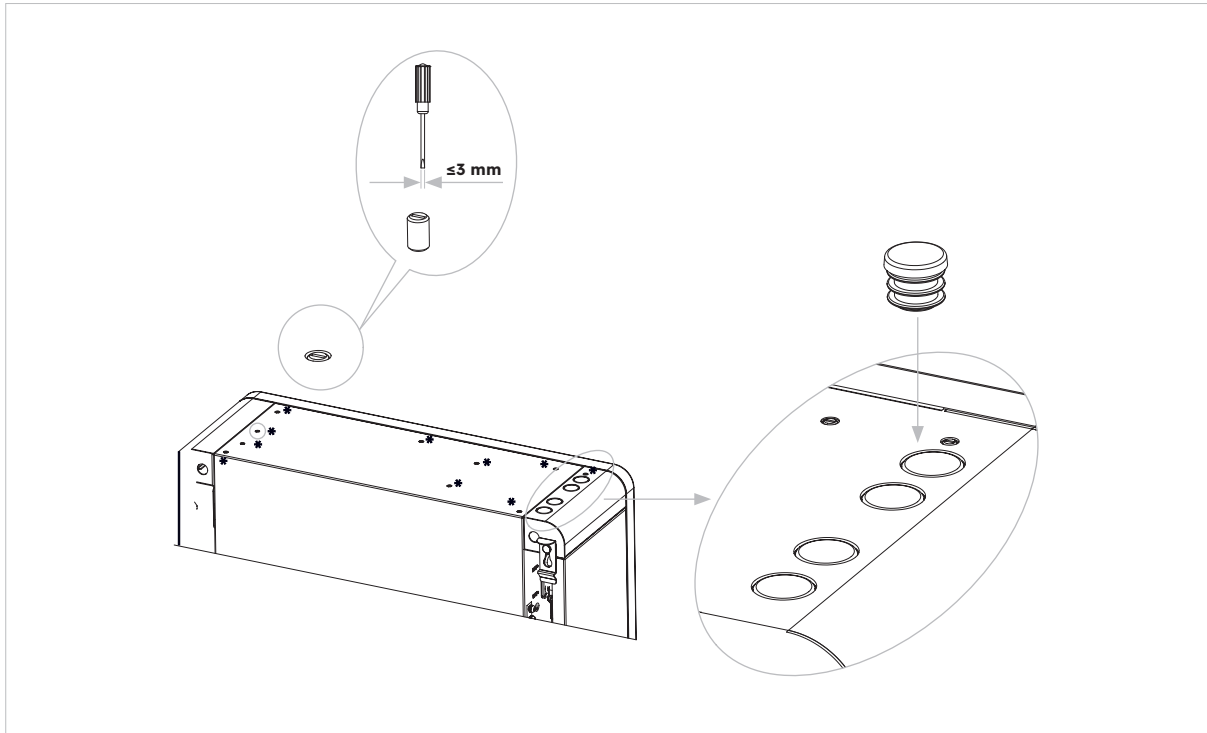
### 3. Monteer de linker kabelafdekking van de omvormer



Controleer of alle bedrading goed is aangesloten en het systeem goed werkt en installeer vervolgens de bovenkap aan de linkerkant van de omvormer.

## 6.7. De schroefpluggen monteren

Als er meer dan één batterij is geïnstalleerd, kun je de volgende handelingen uitvoeren om de bovenkant van de batterij er beter uit te laten zien.



## 7.0 Opstart- en uitschakelprocedure

### 7.1. Opstartprocedure

1. Schakel de BATTERIJ-LASTSCHEIDER aan de rechterkant van de batterij in. (Pos 5) Herhaal dit voor extra batterijen in opeenvolgende volgorde.
2. Zet de BATTERIJSYSTEEMSCHAKELAAR AAN, die zich aan de linkerkant van de omvormer onder de bovenklep van de behuizing bevindt.
3. Druk gedurende 1 seconde op de BATTERIJSTARTTOETS op BATTERIJ 1. Deze bevindt zich naast de batterij-lastscheider(s). Herhaal dit voor andere batterijen in opeenvolgende volgorde, binnen 5 seconden.
4. Schakel de AC-NETVOEDING naar de omvormer IN.
5. Schakel de AC-BACK-UP-VOEDING van de omvormer in (indien geïnstalleerd).
6. Schakel de PV-SCHAKELAAR aan de linkerkant van de omvormer IN als de PV rechtstreeks op de omvormer is aangesloten.

### 7.2. Uitschakelprocedure



Nadat het energieopslagsysteem is uitgeschakeld, kunnen de resterende elektriciteit en warmte nog steeds elektrische schokken en brandwonden veroorzaken. Trek daarom beschermende handschoenen aan en wacht 5 minuten na het uitschakelen op het product.

#### Procedure

1. Zet de wisselschakelaar op MAINS om belastingen te voeden vanuit het NET, indien geïnstalleerd.
2. Schakel de AC-BACK-UP-VOEDING van de omvormer UIT (indien geïnstalleerd).
3. Schakel de AC-NETVOEDING naar de omvormer UIT.
4. Schakel de PV-SCHAKELAAR aan de linkerkant van de omvormer UIT als de PV rechtstreeks op de omvormer is aangesloten.
5. Zet de BATTERIJSYSTEEMSCHAKELAAR UIT, die zich aan de linkerkant van de omvormer bevindt.
6. Schakel de BATTERIJ-LASTSCHEIDER voor elke batterij UIT.
7. Houd de batterijstartknop 6 seconden ingedrukt om elke batterij uit te schakelen. Deze bevindt zich naast de BATTERIJ-LASTSCHEIDER.

### 7.3. Controles voor het opstarten

Nr.	Controle-item	Aanvaardingscriteria
1	Montageomgeving	De montageruimte is toereikend en de montageomgeving is schoon en netjes, zonder vreemde voorwerpen.
2	Montage van batterij-eenheid en omvormer	De batterij-eenheid en de omvormer zijn correct, stevig en betrouwbaar gemonteerd.
3	Wifi-montage	De wifi-module is correct, stevig en betrouwbaar gemonteerd.
4	Kabelindeling	Kabels worden op de juiste manier geleid, zoals vereist door de klant.
5	Kabelbinder	Kabelbinders zijn gelijkmatig bevestigd en er is geen braam.
6	Aarding	De aardkabel is correct, stevig en betrouwbaar aangesloten.
7	Status van schakelaars en lastscheiders	De PV-schakelaar (indien aanwezig) en batterij-lastscheiders en alle lastscheiders die op het product zijn aangesloten, zijn UIT.
8	Kabelaansluitingen	De AC-kabels, PV-kabels (indien aanwezig), batterijstroomkabels en communicatiekabels zijn correct, stevig en betrouwbaar aangesloten.
9	Ongebruikte voedingsaansluitingen	Ongebruikte voedingspoorten en communicatiepoorten worden geblokkeerd door waterdichte kappen.

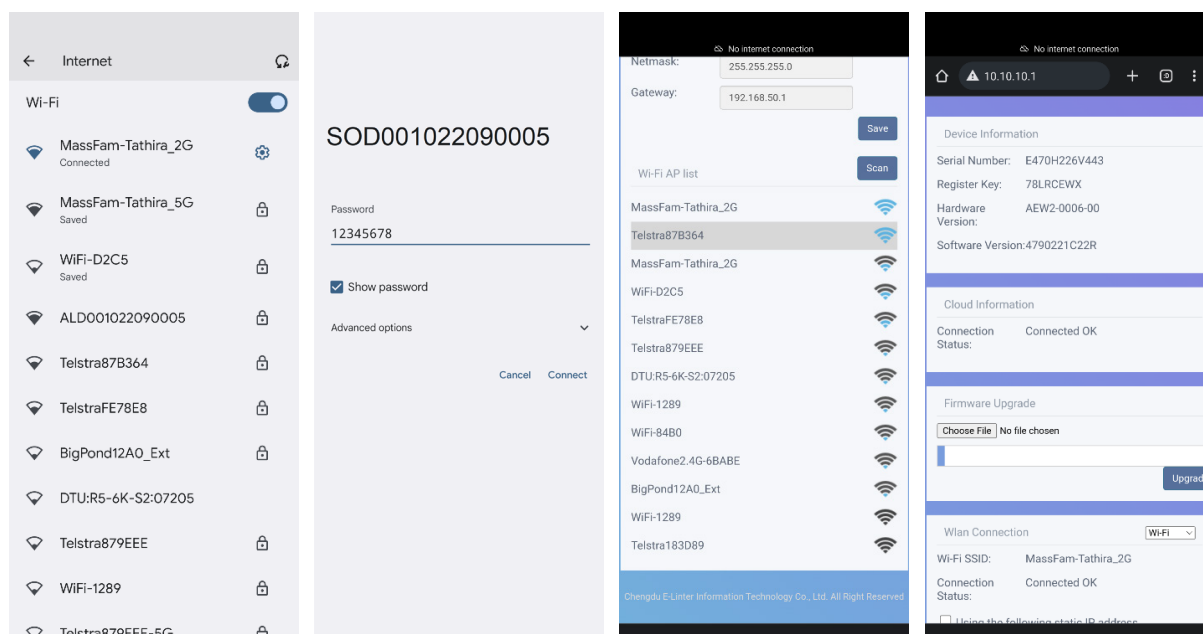
## 8.0 Een nieuw systeem instellen (Inbedrijfstelling)

### 8.1 Reserve op internet aansluiten

Om het inbedrijfstellingsproces voor de onlangs geïnstalleerde SunPower Reserve te starten, is het essentieel om een functionele gegevensverbinding tot stand te brengen, die ook nodig is voor doorlopend monitoren. De SunPower Reserve biedt twee methoden van gegevensverbinding: ethernet en wifi.

Als je voor een ethernetverbinding kiest, is er geen extra configuratie nodig. Als je echter de voorkeur geeft aan een wifi-verbinding, volg dan de volgende stappen om het systeem te verbinden met het wifi-netwerk van de huiseigenaar:

1. Ga op je mobiele apparaat naar de wifi-instellingen en zoek het wifi-netwerk dat is gekoppeld aan de SunPower Reserve-eenheid. Dit netwerk is te herkennen aan het serienummer van het apparaat.
2. Maak verbinding met het netwerk van de Reserve-eenheid met het standaardwachtwoord: 12345678.
3. Zodra je verbinding hebt gemaakt, start je je mobiele browser en voer je het IP-adres van de SunPower Reserve in: 10.10.10.1. Deze actie toont een eenvoudige interface waarmee de Reserve-eenheid verbinding kan maken met het wifi-netwerk op de locatie.
4. Tik op de optie 'scan' onderaan het scherm om naar beschikbare netwerken te zoeken.
5. Selecteer in de lijst met weergegeven netwerken het gewenste netwerk waarmee de Reserve-eenheid verbinding moet maken en voer het bijbehorende wifi-wachtwoord in.
6. Zodra de verbinding met succes tot stand is gebracht, geeft de interface een bevestigingsbericht met de tekst "Connected OK".



Door deze instructies te volgen, kan de SunPower Reserve effectief worden aangesloten en geconfigureerd voor gebruik.

Als om de een of andere reden de internetverbinding van de SunPower Reserve is verbroken, bijvoorbeeld als de klant het wifi-wachtwoord verandert, kunnen klanten met de bovenstaande stappen ook de internetverbinding van de SunPower Reserve resetten.

## 8.2 SunPower One-app downloaden en installeren

1. Gebruikers van Android-apparaten kunnen de SunPower One-app downloaden van Google Play.
2. Gebruikers van iOS-apparaten kunnen de SunPower One-app downloaden in de Appstore.



**TIP**

Hulpmiddelen voor opdrachten inclusief inloggegevens zijn alleen beschikbaar voor installateurs die de benodigde trainingsmodules hebben gevolgd.

## 8.3 Inbedrijfstelling SunPower Reserve

Controleer voordat je begint of het Reserve-systeem correct is geïnstalleerd en of de gegevensverbinding goed werkt.

Hieronder volgt een overzicht van de stappen die nodig zijn om de SunPower Reserve met succes in bedrijf te stellen. Raadpleeg de volgende instructies:

1. Start de SunPower One-app en log in met je SunPower One-gebruikersnaam (e-mail) en wachtwoord.
2. Tik in het beginscherm op "start" om het inbedrijfstellingsproces voor een nieuw systeem te starten.
3. Voer op het volgende scherm het e-mailadres in van de klant voor wie je het systeem installeert. Deze e-mail wordt gebruikt om het klantaccount dat nodig is om in te loggen op de SunPower One-app te configureren. Het is cruciaal om de juistheid van het e-mailadres te verifiëren met de klant en ervoor te zorgen dat ze toegang hebben tot hun e-mail op hun mobiele apparaat.
4. Selecteer de juiste systeemconfiguratie zoals beschreven in hoofdstuk 3.3 en volg de stappen van de app om de activering en configuratie van je installatie te voltooien.
5. Nadat het instellen van de Reserve is voltooid, wordt er een bevestigingsmail naar de klant gestuurd. Deze e-mail bevat een link naar de SunPower One-app, waar de klant het SunPower One-account kan activeren en kan genieten van de uitgebreide SunPower One-ervaring.

Volg de bovenstaande stappen om het SunPower Reserve-systeem effectief in bedrijf te stellen.



**LET OP**

### **De veiligheidsnorm moet correct zijn ingesteld**

Als je een veiligheidsnorm selecteert die niet geldig is voor jouw land en doel, kan dit een storing veroorzaken in het energieopslagsysteem en leiden tot problemen met de netbeheerder. Bij het kiezen van de veiligheidsnorm moet je altijd rekening houden met de lokaal geldende normen en richtlijnen en de eigenschappen van het PV-systeem (bijv. grootte van het PV-systeem, aansluitpunt op het elektriciteitsnet). Als je niet zeker weet welke veiligheidsnorm geldig is voor jouw land of doel, neem dan contact op met je netbeheerder voor informatie over welke veiligheidsnorm geconfigureerd moet worden.



**TIP**

In stap 4 van het inbedrijfstellingsproces veranderen de beschikbare parameters afhankelijk van de gekozen configuratie. Het is belangrijk om in dit stadium te controleren of de waarden juist zijn.

## 8.4 Het systeem inschakelen en de systeemstatus controleren

Zorg ervoor dat de PV-schakelaar en batterij-lastscheiders en alle lastscheiders die op het product zijn aangesloten AAN staan.

## 8.5 AC-back-up controleren (indien beschikbaar)

Schakel een elektrisch apparaat IN dat is aangesloten op de back-up-belastingpoort van de energieopslagomvormer.

Schakel de AC-lastscheider op de back-up-poort van de energieopslagomvormer in.

Schakel de externe AC-lastscheider tussen het elektriciteitsnet en de energieopslagomvormer UIT.

Het product gaat meteen naar de modus AC-backup.

Controleer of het elektrische apparaat aan de back-up-zijde blijft werken.



**LET OP**

Als tijdens de inbedrijfstelling de ledlampjes op het display van de omvormer rood branden of de ledlampjes op het display van de batterij geel branden, raadpleeg dan het hoofdstuk over probleemoplossing (9.0).

## 8.6 Eindgebruiker instrueren om SunPower One-app te installeren

Zorg ervoor dat de huiseigenaar de app heeft gedownload en het account heeft geactiveerd via de welkomstmail.



**TIP**

De garantieregistratie van de SunPower Reserve is voltooid wanneer de huiseigenaar het klantaccount heeft geactiveerd



## 9.0 Onderhoud en probleemoplossing

### 9.1 Routinematig onderhoud

Om ervoor te zorgen dat het energieopslagsysteem op de lange termijn goed kan werken, raden we je aan om routineonderhoud uit te voeren zoals beschreven in dit hoofdstuk.

Controle-item	Aanvaardingscriteria	Onderhoudsinterval
Reinheid van het product	Het koellichaam aan de achterkant van de omvormer en de ontluuchtingsafdekkingen zijn schoon en vrij van obstakels.	6 maanden
Zichtbare schade aan product	Het product is niet beschadigd of vervormd.	6 maanden
Werkingsstatus product	1. Het product werkt zonder abnormaal geluid. 2. Alle parameters van het product zijn correct ingesteld. Voer deze controle uit als het product in werking is.	6 maanden
Elektrische aansluitingen	1. Kabels zijn goed aangesloten. 2. Kabels zijn intact en onbeschadigd. 3. Ongebruikte wartels worden verzegeld.	6 maanden



Ontkoppel het systeem van alle stroombronnen voordat je het schoonmaakt. Maak de behuizing, het deksel en het scherm schoon met een zachte doek.

Verbrandingsgevaar door hete behuizing en deksel van de omvormer  
De behuizing en deksel van de omvormer kunnen tijdens bedrijf heet worden. Raak tijdens het gebruik geen andere onderdelen aan dan de zijkappen. Wacht ongeveer 30 minuten met reinigen totdat de omvormer is afgekoeld.

### 9.2 Problemen oplossen

Om de nauwkeurigheid van de SOC te handhaven, kan het nodig zijn om de batterij volledig op te laden. Hierdoor wordt de SOC van de batterij gereset.

## 9.2.1. Foutopsporing omvormer

Foutnr.	Foutbeschrijving	Oplossing
4	Inverter_lost	Communicatie met omvormer verbroken 1. Start het systeem opnieuw op en controleer of de fout is verholpen. 2. Neem contact op met de klantenservice om het EMS- en DSP-programma van de omvormer op afstand bij te werken, en controleer daarna of de storing aanhoudt. 3. Als de fout niet kan worden verholpen, neem dan contact op met het servicecentrum voor verdere controle.
100000	Grid_OVP	1. Controleer of net abnormaal is. 2. Controleer of de aansluiting van de netkabel normaal is. 3. Start de omvormer opnieuw op en controleer of de storing aanwezig is.
100001	Grid_UVP	
100002	Grid_OFF	
100003	Grid_UFP	
100005	BUS_OVP1	Controleer of de ingangsspanning van PV1 en PV2 hoger is dan 580 V. Als de eerste niet bestaat, start de omvormer dan opnieuw om te zien of de storing nog steeds bestaat. Als het probleem zich nog steeds voordoet, bel dan het servicecentrum.
100007	Insulation_fault	1. Controleer of de aansluiting van de PV-kabel betrouwbaar is. 2. Controleer of de PV-kabel beschadigd is.
100008	GFCI_fault	1. Start de omvormer opnieuw op en controleer of de storing aanwezig is.
100010	GFCI_fault	
100011	Over_Temperature	1. Controleer of de omgeving rond de omvormer een slechte warmteafvoer heeft. 2. Controleer of de installatie van de omvormer voldoet aan de installatievereisten.
100012	PV_Reverse	1. Controleer of de PV-aansluitingen zijn omgekeerd. 2. Als de aansluitingen juist zijn, bel dan het servicecentrum.
100013	BAT_Reverse	1. Controleer of de batterijaansluitingen zijn omgekeerd. 2. Als de aansluitingen juist zijn, bel dan het servicecentrum.
100017	MPPT1_OVP	Controleer de spanning van PV1. Als deze hoger is dan 585 V DC, verminder dan het aantal PV-modules.
100021	MPPT2_OVP	Controleer de spanning van PV2. Als deze hoger is dan 585 V, verminder dan het aantal PV-modules.
100025	BAT_OVP	Controleer of de werkelijke batterijspanning meer dan 20 V hoger is dan de uitschakelspanning voor het opladen van de batterij.
100026	BAT_UVP	Controleer of de werkelijke batterijspanning lager is dan de afsluitspanning voor het ontladen van de batterij.
100027	Battery_lose	Controleer of de bedrading normaal is en of de meetwaarde van de batterijspanning lager is dan 75 V.

Foutnr.	Foutbeschrijving	Oplossing
100042	Output_short_circuit	<ol style="list-style-type: none"> <li>1. Gebruik een multimeter om de impedantie van de niet aan het net gekoppelde uitgang te testen. Als het klein is, controleer dan of de bedrading correct is.</li> <li>2. Start de omvormer opnieuw op om te zien of de storing nog steeds optreedt. Als dit nog steeds het geval is, bel dan het servicecentrum.</li> </ol>
100043	Output_overload	Controleer of de belasting het nominale vermogen overschrijdt. Start de omvormer opnieuw op om te zien of de storing nog steeds optreedt. Als het probleem zich nog steeds voordoet, bel dan het servicecentrum.
100052	Backup_ovp	Start de omvormer opnieuw op om te zien of de storing nog steeds optreedt. Als het probleem zich nog steeds voordoet, bel dan het servicecentrum.
7	BMS lost	<p>BMS lost</p> <ol style="list-style-type: none"> <li>1. Controleer of de BMS-communicatieaansluiting tussen de batterij en de omvormer normaal is.</li> <li>2. Controleer of de batterij is ingeschakeld</li> <li>3. Als de storing niet kan worden verholpen, neem dan contact op met het servicecentrum voor verdere controle.</li> </ol>
60002	Circuit_Breaker_Open	Probeer alle batterij-lastscheiders in te schakelen, als de actie het probleem niet kan oplossen, neem dan contact op met de klantenservice.
60004	Slave_Battery_Communication_Lost	Controleer de communicatiekabels tussen batterijen
60006	Master_Battery_Communication_Lost	
60008	Multi_Master_error	
5	Grid meter lost	<p>Meteruitval aan netzijde</p> <ol style="list-style-type: none"> <li>1. Controleer of de configuratieparameters van het systeem juist zijn en of de meter aan de netzijde wordt gebruikt</li> <li>2. Controleer of de communicatiekabel van de netmeter correct is aangesloten (RS485: 3A6B).</li> <li>3. Controleer of de communicatieconfiguratieparameters van de netmeter correct zijn (communicatieadres en baudrate).</li> <li>4. Als de fout niet kan worden verholpen, neem dan contact op met het servicecentrum voor verdere controle.</li> </ol>
6	PV meter lost	<p>Meter aan zijde van PV-omvormer uitgevallen</p> <ol style="list-style-type: none"> <li>1. Controleer of de configuratieparameters van het systeem juist zijn en of de meter wordt gebruikt aan de kant van de PV-omvormer</li> <li>2. Controleer of de communicatieconfiguratieparameters van de meter aan de kant van de PV-omvormer correct zijn (communicatieadres en baudrate). (RS485: 3A6B).</li> <li>3. Controleer of de communicatieconfiguratieparameters van de meter aan de kant van de PV-omvormer correct zijn (communicatieadres en baudrate).</li> <li>4. Als de fout niet kan worden verholpen, neem dan contact op met de klantenservice voor verdere controle.</li> </ol>













## 9.2.2. Foutbeschrijving omvormer
















De vier ledlampjes in de bovenste rij zijn systeem (SYS), batterij (BAT), meter (METER) en communicatie (COM).

De vijf ledlampjes in de onderste rij zijn verdeeld in twee functies:

SOC van alle batterijen in het energieopslagsysteem

Als er een fout optreedt, wordt de bijbehorende foutcode weergegeven. Van rechts naar links zijn de getallen die door elk lampje worden vertegenwoordigd 1, 2, 4, 8, 16.

Ledlampje	Foutcode	Led-display	Beschrijving
Rode SYS-lampje knippert snel	4		Inverter lost
Het rode SYS-lampje brandt; het METER-lampje knippert snel als de netmeter is uitgevallen. Het rode SYS-lampje brandt; METER-lampje knippert langzaam als PV-meter is uitgevallen; METER-lampje is UIT als alle meters zijn uitgevallen;	5		Grid meter lost
	6		PV meter lost
Het rode SYS-lampje brandt, BAT is uit	7		BMS lost
Omvormer is defect, Rode SYS-lampje knippert snel	100000		Grid_OVP
	100001		Grid_UVP
	100002		Grid_OFP
	100003		Grid_UFP
Omvormer is defect, Rode SYS-lampje knippert snel	100005		BUS_OVP1
	100007		Insulation_fault
	100008		GFCI_fault
	100010		Grid_relay_fault

Ledlampje	Foutcode	Led-display	Beschrijving
	100011		Over_Temperature
	100012		PV_Reverse
	100013		BAT_Reverse
	100017		MPPT1_OVP
	100021		MPPT2_OVP
Omvormer is defect, Rode SYS-lampje knippert snel	100025		BAT_OVP
	100026		BAT_UVP
	100027		Battery_lose
	100042		Output_short_circuit
	100043		IOutput_overload
	100052		Backup_ovp
Rode SYS-lampje brandt, BAT-lampje brandt als de batterij defect is.	60002		Circuit_Breaker_ OpenCircuit Breaker_ Open
	60004		Slave_Battery_ Communication_Lost
	60006		Master_Battery_ Communication_Lost
Rode SYS-lampje brandt, BAT-lampje brandt als de batterij defect is	60008		Multi_Master_error

**TIP**

1. De vier ledlampjes in de eerste rij zijn systeem (SYS), batterij (BAT), meter (METER) en communicatie (COM).
2. De vijf ledlampjes in de tweede rij zijn verdeeld in twee functies:
  - Weergave SOC-vermogen batterij
  - Als er een fout optreedt, wordt de bijbehorende foutcode weergegeven.

### 9.2.3. Beschrijving batterijbeveiliging

De drie ledlampjes op de voorkant van de batterij geven informatie over de beschermingsstatus van de batterij door middel van gele lampjes die branden of knipperen.

Symbol	Beschrijving
	Geel ledlampje knippert
	Geel ledlampje brandt
	Geel ledlampje uit

Ledlampje	Beschermingsnr.	Led-display	Beschrijving	Probleemoplossing
Gele ledlampjes branden of gele ledlampjes knipperen één keer per seconde	1		Temperatuurverschil	Wacht op automatisch herstel. Als het probleem nog niet is opgelost, bel dan het servicecentrum.
	2		Hoge temperatuur	Stop met ontladen en opladen totdat deze displaytoestand is verdwenen en wacht tot de temperatuur is gedaald.
	3		Lage temperatuur ontlading	Stop met ontladen totdat deze displaytoestand is verdwenen en wacht tot de temperatuur is gestegen.
	4		Overstroom lading	Wacht op automatisch herstel. Als het probleem nog niet is opgelost, bel dan het servicecentrum.
	5		Overstroom ontlading	
	6		Overspanning cel	
	7		Cel onder spanning	Stop met ontladen en bel onmiddellijk de service.
	8		Lage temperatuur lading	Stop met ontladen totdat deze displaytoestand is verdwenen en wacht tot de temperatuur is gestegen.

**TIP**

Als in de werkmodus de beveiligingsstatus "Cell under voltage" (Cel onder spanning) verschijnt, druk dan binnen 10 seconden 5 keer op de aan/uit-knop. De BMS wordt dan gedwongen de MOSFET van ontlading in te schakelen zodat de omvormer de open batterijspanning kan detecteren en de batterij kan opladen.

## 9.2.4. Foutbeschrijving batterij

Ledlampje	Foutnr.	Led-display	Beschrijving	Probleemoplossing
Gele ledlampjes branden of gele ledlampjes knipperen één keer per seconde	Fout 01		Hardwarefout	Wacht op automatisch herstel. Als het probleem nog niet is opgelost, bel dan het servicecentrum.
	Fout 05		Hardwarefout	
	Fout 06		Lastscheider open	Schakel de lastscheider in nadat je de batterij hebt uitgeschakeld.
	Fout 08		LMU losgekoppeld (slave)	Sluit de communicatiekabel van het BMS weer aan.
	Fout 09		SN ontbreekt	Neem contact op met je installateur of klantenservice.
	Fout 10		LMU losgekoppeld (master)	Sluit de communicatiekabel van het BMS weer aan.
	Fout 11		Softwareversie inconsistent	Neem contact op met je installateur of klantenservice.
	Fout 12		Multi-master	Start alle batterijen opnieuw op.
	Fout 13		MOS-over-temperatuur	Schakel de batterij uit en na 30 minuten weer in.
	Fout 14		Isolatiefout	Start de batterij opnieuw op en als het probleem niet is opgelost, neem dan contact op met je installateur.
	Fout 15		Totale spanningsfout	Start de batterij opnieuw op en als het probleem niet is opgelost, neem dan contact op met je installateur of klantenservice.

**TIP**

Als in de werkmodus de beveiligingsstatus "Cell under voltage" (Cel onder spanning) verschijnt, druk dan binnen 10 seconden 5 keer op de aan/uit-knop. De BMS wordt dan gedwongen de MOSFET van ontlading in te schakelen zodat de omvormer de open batterijspanning kan detecteren en de batterij kan opladen.

## 10.0 Verwijdering en retourzending

### 10.1. Het product verwijderen

#### Procedure

1. Schakel het energieopslagsysteem uit door de instructies in hoofdstuk 7.2 Uitschakelprocedure van het systeem te volgen.
2. Koppel alle kabels los van het product, inclusief alle communicatiekabels, PV-voedingskabels, batterijvoedingskabels, AC-kabels en aardekabels.
3. Verwijder de wifi-module.
4. Verwijder de omvormer van de bovenkant van de batterij.
5. Verwijder de muurbeugel van de batterij.
6. Verwijder de batterij.
7. Verwijder de muurbeugel van de uitbreidingsbatterij (indien aanwezig).
8. Verwijder de uitbreidingsbatterij (indien aanwezig).

### 10.2. Het product verpakken

Als de originele verpakking beschikbaar is, stop het product er dan in en plak deze dicht met plakband. Als de originele verpakking niet beschikbaar is, doe het product dan in een geschikte kartonnen doos en sluit deze goed af.

### 10.3. Het product weggooien

Als de levensduur van het product is verstreken, gooi het dan weg volgens de plaatselijke afvalverwerkingsregels voor elektrische apparatuur en afval van elektronische onderdelen.

Voer de verpakking en vervangen onderdelen af volgens de regels op de plaats waar het apparaat is geïnstalleerd.

Gooi het product niet weg met het normale huisvuil.





## 11.0 Specificatie

### 11.1 Datasheet van omvormer

Item	RESERVE-INV-1-P5-L1-INT
<b>Ingang DC (PV-zijde)</b>	
Aanbevolen max. PV-voeding	10000 W
Max. PV-ingangsspanning	580 V
Nominale spanning	360 V
Opstartspanning	90 V
MPPT-spanningsbereik	100 - 550 V
Max. ingangsstroom per MPPT	15 A / 15 A
Max. kortsluitstroom per MPPT	18,75 A / 18,75 A
MPPT-aantal	2
Max. aantal ingangstrings per MPPT	1
<b>Batterij</b>	
Type batterij	Li-ion
Spanningsbereik batterij	80 - 450 V
Maximaal oplaadvermogen	5 kW
Maximale laad-/ontlaadstroom	60 A / 60 A
Communicatie	CAN
<b>Uitgang AC (back-up)</b>	
Nominaal uitgangsvermogen	5 kW
Max. schijnbaar uitgangsvermogen	5 kVA
Back-up-schakeltijd	< 20 ms
Nominale uitgangsspanning	L/N/PE, 230 V
Nominale frequentie	50/60 Hz
Nominale uitgangsstroom	21,7 A
THDv(@lineaire belasting)	3%

Item	RESERVE-INV-1-P5-L1-INT
<b>Ingang AC (netzijde)</b>	
Nominale ingangsspanning	L/N/PE, 230 V
Nominale frequentie	50 / 60 Hz
Nominaal ingangsvermogen	10 kW
Max. ingangsstroom	43,5 A
<b>Uitgang AC (netzijde)</b>	
Nominaal uitgangsvermogen	5 kW
Max. schijnbaar uitgangsvermogen	5 kVA
Werkingsfase	Enkele fase
Nominale netspanning	L/N/PE, 230 V
Bereik netspanning	180 - 270 V
Nominale netfrequentie	50 / 60 Hz
Nominale uitgangsstroom net	21,7 A
Vermogensfactor	>0,99 (0,8 voor - 0,8 achter)
Thdi	< 3%
Beschermingsklasse	I
Overspanningscategorie	III
<b>Rendement</b>	
Max. rendement	>97%
Rendement in EU	>96,2%
<b>Bescherming</b>	
Bescherming tegen eilandvorming	Geïntegreerd
Detectie isolatieweerstand	Geïntegreerd
Reststroombewakingseenheid	Geïntegreerd
Uitgangsoverstroombeveiliging	Geïntegreerd
Bescherming tegen kortsluiting aan de uitgang	Geïntegreerd
Uitgangsoverspanningsbeveiliging	Geïntegreerd
DC-ompoolbeveiliging	Geïntegreerd
PV-overspanningsbeveiliging	Geïntegreerd
PV-schakelaar	Geïntegreerd
Batterij-lastscheider	Geïntegreerd

Item	RESERVE-INV-1-P5-L1-INT
<b>Algemene gegevens</b>	
Afmetingen (B*D*H)	610 * 212 * 380 mm
Gewicht	20 kg
Topologie	Transformatorloos
Bedrijfstemperatuurbereik	-25 / +60 °C
Bescherming tegen binnendringen	IP65
Geluidsemisatie	<30 dB(A) @1m
Koelconcept	Natuurlijke convectie
Max. werkingshoogte	2000 m
<b>Kenmerken</b>	
PV-aansluiting	Insteekconnectoren, MC4
Netaansluiting	Insteekconnectoren
Back-up-aansluiting	Insteekconnectoren
BAT-aansluiting	Schroefklem
Communicatie	LAN, wifi

## 11.2 Datasheet van batterij

Item	RESERVE-BAT-1-DC-10.1-INT
<b>Algemene gegevens</b>	
Type batterij	LFP (LiFePO4)
Gewicht	90 kg
Afmetingen (B*D*H)	610 * 212 * 829 mm
Bescherming tegen binnendringen	IP65
Energiecapaciteit	10,1 kWh
Bruikbare capaciteit	9,6 kWh
DoD	95%
Nominale spanning	96 V
Bereik bedrijfsspanning	90 ~ 108 V
Max. laad-/ontlaadstroom *	60 A
Bedrijfstemperatuurbereik	Lading: $0 < T \leq 50$ °C Ontlading: $-10 < T \leq 50$ °C
Bewakingsparameters	Systeemsparing, stroom, celspanning, celtemperatuur, PCBA-temperatuur
BMS-communicatie	CAN
<b>Systeem</b>	
Veiligheid	IEC62619/ IEC63056/IEC62040/IEC61000
Vervoer	UN38.3

\*De maximale stroomafname bij laden/ontladen is afhankelijk van de temperatuur en SOC

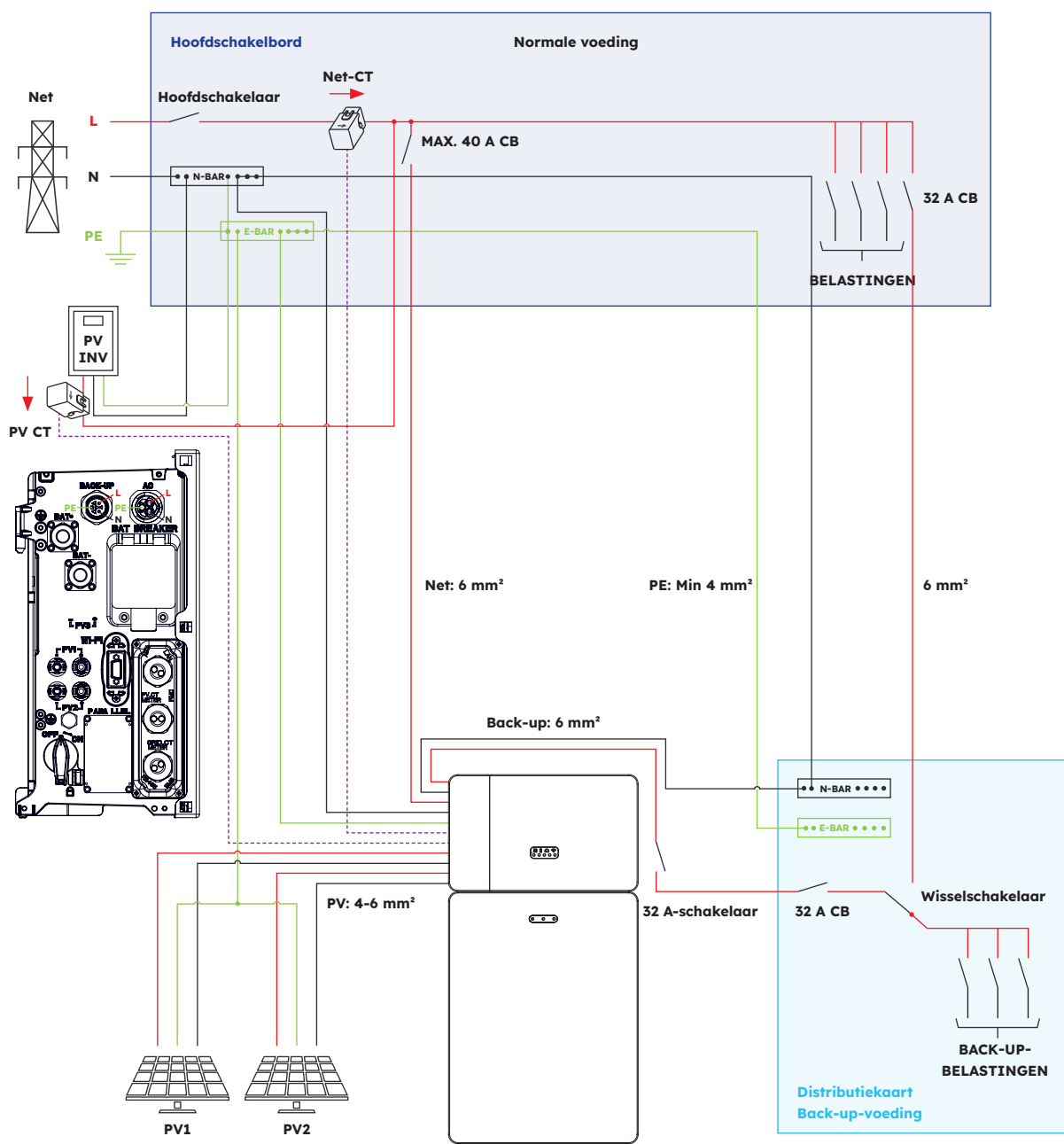
## 12.0 Bijlage 1: Systemoverzicht

### 12.1 Systeembedradingschema voor Australië

#### 12.1.1. Hybride of AC-gekoppelde configuratie (AUS)

Aansluitschema SunPower Reserve - Hybride gekoppeld met enkele fase (AU)

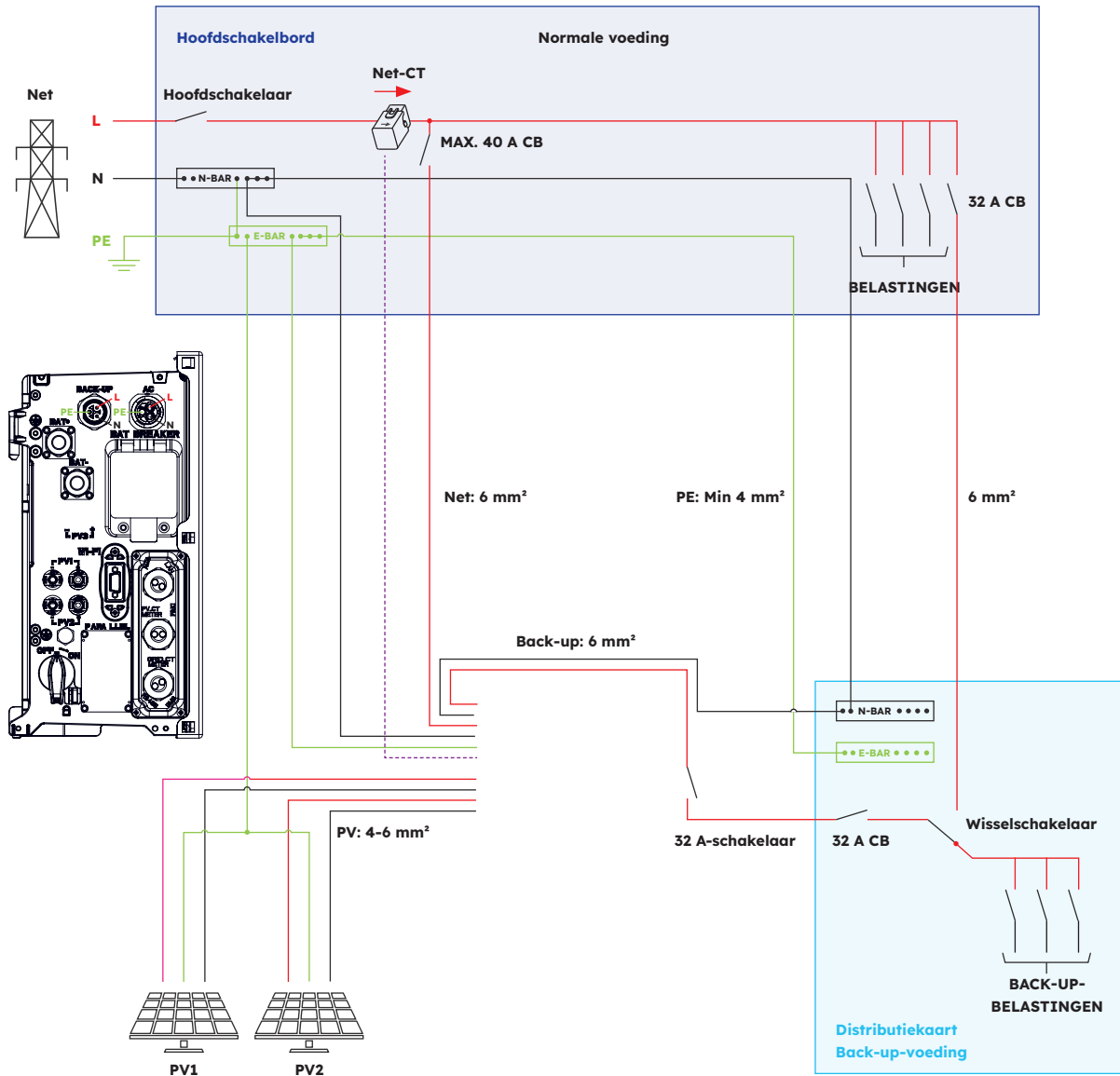
Opmerking: De nulleider is geschakeld, dus de AC-back-up-nulleider moet worden aangesloten op de lokale aarding.



## 12.1.2. DC-gekoppelde configuratie (AUS)

Aansluitschema SunPower Reserve - DC-gekoppeld met enkele fase (AU)

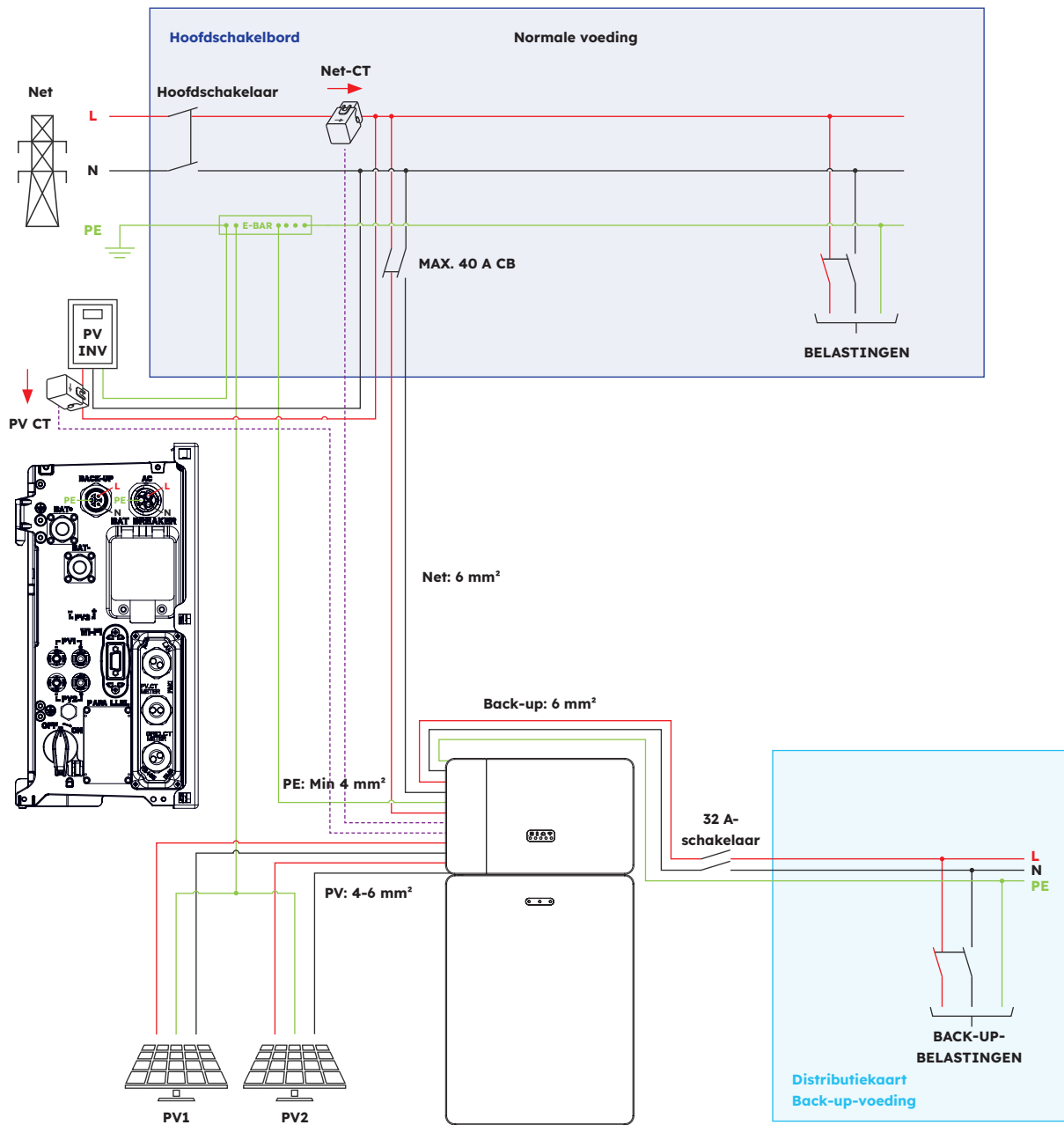
Opmerking: De nulleider is geschakeld, dus de AC-back-up-nulleider moet worden aangesloten op de lokale aarding.



## 12.2. Systeembedradingschema voor Europa

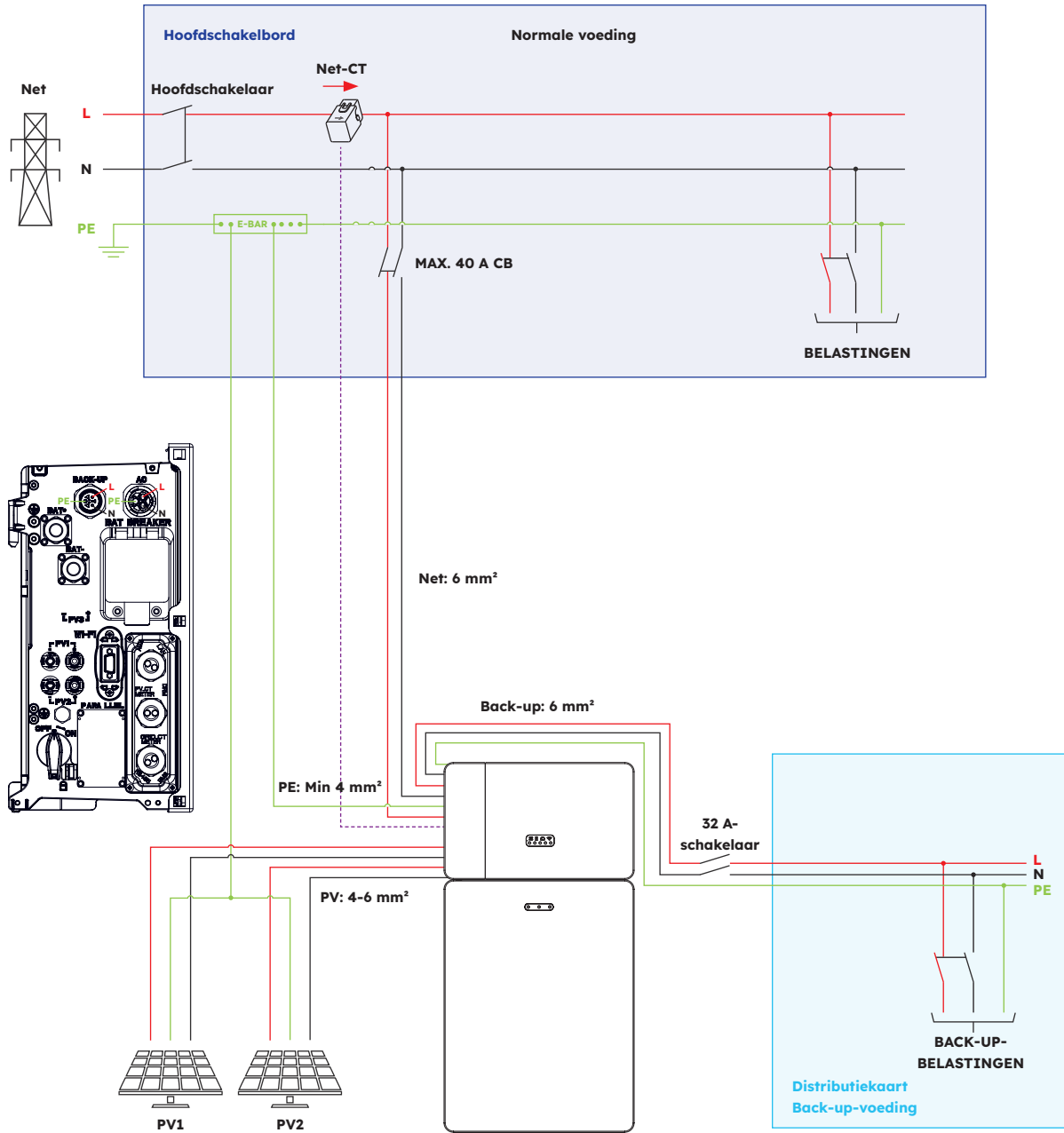
### 12.2.1. Hybride of AC-gekoppelde configuratie (EU)

Bedradingschema SunPower Reserve - Hybride gekoppeld met enkele fase (EU)



## 12.2.2. DC-gekoppelde configuratie (EU)

Aansluitschema SunPower Reserve - DC-gekoppeld met enkele fase (EU)





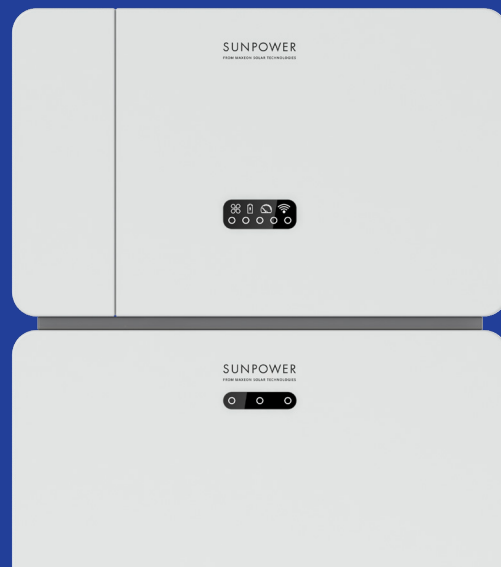
## 13.0 Bijlage 2: Regionale toepassingsnorm

Neem contact op met je lokale netbedrijf en kies de corresponderende Regionale Toepassingsnorm, de stroomkwaliteitsmodi Volt-VAR en Volt-Watt zullen automatisch worden uitgevoerd. (Alleen voor regio's met veiligheidsvoorschriften AS/NZW 4777.2.)

Land (DNSP)	Veiligheidsnorm	Regio-instelling
Ausgrid, Ausnet, Citipower, Endeavour Energy, Energex, Ergon, Essential Energy, Evoenergy, Jemena, SA Power Networks, PowerCor, United Energy	AS/NZS 4777.2: 2020	Australië A
Western Power	AS/NZS 4777.2: 2020	Australië B
Horizon Power en TasNetworks	AS/NZS 4777.2: 2020	Australië C
Nieuw-Zeeland	AS/NZS 4777.2: 2020	Nieuw-Zeeland
Duitsland	VDE4105/11.18	Duitsland
Italië	CEI 0-21	Italië
Spanje	RD1699/UNE	Spanje
België	C10/C11	België
Nederland	EN50549	Nederland

# SunPower Reserve

## Système de stockage de l'énergie domestique



## Sécurité et instructions d'installation

547143 Révision C  
Publication : décembre 2023

Ce document est valable pour l'installation du système énergétique domestique SunPower Reserve, y compris :

- Onduleur : RESERVE-INV-1-P5-L1-INT
- Batterie : RESERVE-BAT-1-DC-10.1-INT
- Compteur: CHINT-DTSU666-AC-L3-INT

Ce document décrit le montage, l'installation, la mise en service, la configuration, le fonctionnement, le dépannage et la mise hors service des produits, ainsi que le fonctionnement de l'interface utilisateur du produit. La documentation jointe fait partie intégrante de ce produit. Conservez la documentation dans un endroit pratique pour toute référence ultérieure et respectez toutes les instructions fournies.

Les illustrations de ce document sont réduites aux informations essentielles et peuvent différer du produit réel.



Pour la dernière version, veuillez vous référer à  
[www.sunpower.maxeon.com/int/InstallGuideReserve](http://www.sunpower.maxeon.com/int/InstallGuideReserve)

Le contenu du présent document est susceptible d'être modifié sans préavis.

Maxeon Solar Technologies, Ltd.

[sunpower.maxeon.com](http://sunpower.maxeon.com)

<b>1.0 Introduction</b>	<b>5</b>
1.1. Clause de non-responsabilité	5
1.2. Licence Open Source	5
1.3. Niveaux de messages	5
1.4. Définition des abréviations et des noms	6
<b>2.0 Sécurité</b>	<b>7</b>
2.1. Utilisation prévue	7
2.2. Consignes de sécurité pour la batterie	7
2.2.1. Précautions générales de sécurité	7
2.2.2. Réponse aux situations d'urgence	8
2.3. Consignes de sécurité importantes	9
2.4. Explication des symboles	11
<b>3.0 Présentation du produit et scénarios d'application</b>	<b>13</b>
3.1. Présentation du système	13
3.2. Description de l'onduleur	14
3.2.1. Présentation de l'interface électrique de l'onduleur	14
3.2.2. Interface d'affichage de l'onduleur	15
3.3. Description de la batterie	17
3.4. Scénarios d'application	19
3.4.1. Système de stockage couplé DC	19
3.4.2. Système de stockage couplé AC	20
3.4.3. Système de stockage hybride couplé	20
<b>4.0 Stockage et transport</b>	<b>21</b>
4.1. Stockage	21
4.2. Transport	22
<b>5.0 Montage</b>	<b>23</b>
5.1. Vérification de l'emballage extérieur	23
5.2. Contenu de la livraison	23
5.3. Inclus dans la boîte	23
5.4. Préparation des outils et des instruments	25
5.5. Exigences en matière de montage	26
5.6. Montage du système de stockage d'énergie	28
5.6.1. Montage de la batterie	28
5.6.2. Montage de l'onduleur	29
5.6.3. Montage du module Wi-Fi	30

## **6.0 Raccordement électrique \_\_\_\_\_ 31**

<b>6.1. Câbles requis pour la connexion</b>	<b>31</b>
<b>6.2. Raccordement d'une mise à la terre supplémentaire</b>	<b>32</b>
<b>6.3. Connexion AC</b>	<b>33</b>
6.3.1. Exigences relatives à la connexion AC	33
6.3.2. Sélection d'un disjoncteur AC approprié	34
6.3.3. Connexion réseau et connexion alimentation de secours	34
6.3.4. Puissance nominale du transformateur	36
6.3.5. Connexion du transformateur	37
6.3.6. Connexion du compteur	39
<b>6.4. Connexion PV</b>	<b>39</b>
<b>6.5. Connexion électrique entre l'onduleur et les blocs-batteries</b>	<b>40</b>
6.5.1. Connexion électrique entre l'onduleur et la première batterie	40
6.5.2. Connexion du câble de communication	40
6.5.3. Connexion du câble d'alimentation	41
6.5.4. Connexion électrique pour les batteries supplémentaires	43
6.5.5. Autre connexion de communication de l'onduleur	44
<b>6.6. Montage des pièces apparentes de la batterie et de l'onduleur</b>	<b>46</b>
<b>6.7. Montage des vis d'obturation (facultatif)</b>	<b>48</b>

## **7.0 Procédure de démarrage et d'arrêt \_\_\_\_\_ 49**

<b>7.1. Procédure de démarrage</b>	<b>49</b>
<b>7.2. Procédure d'arrêt</b>	<b>49</b>
<b>7.3. Contrôles avant le démarrage</b>	<b>50</b>

## **8.0 Mise en place d'un nouveau système (mise en service) \_\_\_\_\_ 51**

<b>8.1. Connexion de SunPower Reserve à Internet</b>	<b>51</b>
<b>8.2. Télécharger et installer l'application SunPower One</b>	<b>52</b>
<b>8.3. Mise en service de SunPower Reserve</b>	<b>52</b>
<b>8.4. Mettre le système sous tension et vérifier son état</b>	<b>53</b>
<b>8.5. Vérifier l'alimentation de secours AC (si disponible)</b>	<b>53</b>
<b>8.6. Demander à l'utilisateur final d'installer l'application SunPower One</b>	<b>53</b>

## **9.0 Maintenance et dépannage \_\_\_\_\_ 54**

<b>9.1. Entretien courant</b>	<b>54</b>
<b>9.2. Dépannage</b>	<b>54</b>
9.2.1. Dépannage des erreurs de l'onduleur	55
9.2.2. Description des erreurs de l'onduleur	57
9.2.3. Description de la protection de la batterie	59
9.2.4. Description des erreurs de la batterie	60

<b>10.0</b>	<b>Désinstallation et retour</b>	<b>61</b>
<b>10.1.</b>	<b>Démontage du produit</b>	<b>61</b>
<b>10.2.</b>	<b>Emballage du produit</b>	<b>61</b>
<b>10.3.</b>	<b>Mise au rebut du produit</b>	<b>61</b>
<b>11.0</b>	<b>Spécification</b>	<b>62</b>
<b>11.1.</b>	<b>Fiche technique de l'onduleur</b>	<b>62</b>
<b>11.2.</b>	<b>Fiche technique de la batterie</b>	<b>65</b>
<b>12.0</b>	<b>Annexe 1 : Vue d'ensemble du système</b>	<b>66</b>
<b>12.1.</b>	<b>Schéma de câblage du système pour l'Australie</b>	<b>66</b>
12.1.1.	Configuration hybride ou couplée AC (AUS)	66
12.1.2.	Configuration couplée DC (AUS)	67
<b>12.2.</b>	<b>Schéma de câblage de l'installation pour l'Europe</b>	<b>68</b>
12.2.1.	Configuration hybride ou couplée AC (UE)	68
12.2.2.	Configuration couplée DC (UE)	69
<b>13.0</b>	<b>Annexe 2 : Norme régionale d'application</b>	<b>70</b>

# 1.0 Introduction

## 1.1. Clause de non-responsabilité

Ce document est destiné aux personnes qualifiées et aux utilisateurs finaux.

Les opérations marquées d'un symbole DANGER ou ATTENTION ne peuvent être effectuées que par des personnes qualifiées. Les utilisateurs finaux ne disposant pas de qualifications spécifiques peuvent effectuer toutes les tâches non signalées.

Les personnes qualifiées doivent :




- Connaître le fonctionnement et l'utilisation d'un onduleur
- Connaître le fonctionnement et l'utilisation des batteries
- Avoir reçu une formation sur la manière de gérer les dangers et les risques liés à l'installation, à la réparation et à l'utilisation d'appareils, de batteries et d'installations électriques
- Avoir été formé à l'installation et à la mise en service d'appareils et d'installations électriques
- Connaître les lois, normes et directives applicables dans la région d'installation
- Connaître et respecter le présent document, y compris toutes les précautions de sécurité
- Connaître et respecter les documents du fabricant de la batterie, y compris toutes les précautions de sécurité

## 1.2. Licence Open Source

Ce produit contient des logiciels Open Source, développés par des tiers et soumis à des licences telles que la GPL et/ou LGPL. Pour plus de détails et pour obtenir la liste des logiciels Open Source utilisés avec les textes de licence correspondants, veuillez vous référer à la section Licences de l'application SunPower et du site Web Maxeon (<https://corp.maxeon.com/legal>).

## 1.3. Niveaux de messages

Les niveaux de messages suivants peuvent survenir lors de la manipulation du produit

 <b>DANGER</b>	DANGER indique une situation dangereuse qui, si elle n'est pas évitée, entraînera la mort ou des blessures graves.
 <b>ATTENTION</b>	ATTENTION indique une situation qui, si elle n'est pas évitée, peut entraîner des dommages matériels et/ou des blessures légères à modérées.
 <b>CONSEIL</b>	CONSEIL fournit des informations pour une installation et un fonctionnement optimaux du produit.

## 1.4. Définition des abréviations et des noms

Abréviation	Description
AC	Courant alternatif
AUX	Auxiliaire
BAT	Batterie
BMS	Système de gestion de la batterie
DC	Courant continu
DNSP	Fournisseur de services de réseau distribué
DRM	Mode de réponse à la demande
EMS	Système de gestion de l'énergie
LED	Diode électroluminescente
OND	onduleur
PV	Photovoltaïque
SOC	État de charge
TC	Transformateurs de courant

## 2.0 Sécurité

### 2.1. Utilisation prévue

Produit(s)	Utilisation prévue et conditions d'installation
<b>Système SunPower Reserve comprenant :</b> <ul style="list-style-type: none"><li>• <b>RESERVE-INV-1-P5-L1-INT</b></li><li>• <b>RESERVE-BAT-1-DC-10.1-INT</b></li><li>• <b>Transformateurs de courant ou compteurs d'électricité</b></li></ul>	<p>Le système SunPower Reserve est destiné à être installé dans les maisons résidentielles pour optimiser l'autoconsommation. Il peut être installé à l'intérieur ou à l'extérieur.</p> <p>Tous les composants doivent fonctionner dans un scénario adapté à leur fonctionnement. Toute utilisation du ou des produit(s) autre que celle décrite dans cette section n'est pas considérée comme appropriée. Veillez à utiliser ce produit conformément aux informations fournies dans les documents d'accompagnement et aux normes et directives locales applicables.</p> <p>Toute autre opération peut entraîner des blessures ou des dommages matériels. Les altérations du produit, par exemple les changements ou les modifications, ne sont autorisées qu'avec l'autorisation écrite expresse de Maxeon Solar Technologies.</p> <p>Toute modification non autorisée entraîne l'annulation de la garantie. Maxeon Solar Technologies n'est pas responsable des dommages causés par ces changements.</p> <p>La plaque signalétique doit rester fixée au produit de manière permanente.</p> <p>Ce document fait partie intégrante de ce produit. Veillez à ce qu'il soit accessible pour toute référence ultérieure et respectez toutes les instructions qu'il contient.</p>
<b>ONDULEUR :</b> <b>RESERVE-INV-1-P5-L1-INT</b>	<p>L'onduleur est utilisé pour le transfert bidirectionnel entre le courant alternatif (AC) et le courant continu (DC).</p> <p>Il ne doit être utilisé qu'avec des panneaux photovoltaïques de classe de protection II conformément à la norme CEI 61730, classe d'application A. La capacité de couplage des modules photovoltaïques ne doit pas dépasser 1 µF.</p>
<b>BATTERIE :</b> <b>RESERVE-BAT-1-DC-10.1-INT</b>	<p>Le bloc-batterie ne doit être utilisé que pour le stockage de l'énergie avec un onduleur SunPower Reserve.</p>

## 2.2. Instructions de sécurité pour la batterie

### 2.2.1 Précautions générales de sécurité

1. Une surtension ou un mauvais câblage peut endommager le bloc-batterie et provoquer une déflagration, ce qui peut être extrêmement dangereux.
2. Tous les types de défaillance de la batterie peuvent entraîner une fuite d'électrolyte ou de gaz inflammable.
3. Le bloc-batterie n'est pas réparable par l'utilisateur. Il y a une haute tension dans l'appareil.
4. Lisez l'étiquette contenant les symboles d'avertissement et les précautions à prendre, qui se trouve sur le côté droit du bloc-batterie.
5. Ne connectez aucun conducteur AC ou PV directement au bloc-batterie, qui ne doit être raccordé qu'à l'onduleur.




6. Ne chargez ni ne déchargez une batterie endommagée.
7. N'endommagez pas la batterie en la laissant tomber, en la déformant, en la heurtant, en la coupant ou en y insérant un objet pointu. Cela peut provoquer une fuite d'électrolyte ou un incendie.
8. N'exposez pas la batterie à une flamme nue.

## 2.2.2. Réponse aux situations d'urgence





Le bloc-batterie est conçu pour éviter tout danger lié à un dysfonctionnement.

Si un accident survient sur la terre ferme, éloignez les objets du bloc-batterie endommagé et isolez-les si possible en toute sécurité, puis appelez les pompiers ou le technicien de maintenance.

Si un accident survient dans l'eau, restez hors de l'eau et ne touchez à rien si une partie de la batterie, de l'onduleur ou du câblage est immergée. N'utilisez plus la batterie et contactez le service d'assistance technique.

Scénario	Actions recommandées
<b>Si l'enveloppe de la batterie est endommagée et que l'utilisateur touche le matériau interne des cellules de la batterie</b>	<ol style="list-style-type: none"> <li>1. <b>En cas d'inhalation</b> : Quitter immédiatement la zone contaminée et consulter un médecin.</li> <li>2. <b>En cas de lésions oculaires</b> : Rincer les yeux à l'eau courante pendant 15 minutes et consulter un médecin.</li> <li>3. <b>En cas de lésion cutanée</b> : Laver soigneusement la zone touchée avec du savon et consulter un médecin.</li> <li>4. <b>En cas d'ingestion</b> : Faire vomir et consulter un médecin.</li> </ol>
<b>Si un incendie se déclare à l'endroit où le bloc-batterie est installé</b>	<p><b>Vous aurez besoin :</b></p> <ul style="list-style-type: none"> <li>• D'un extincteur à FM-200 ou à CO<sup>2</sup>, ou tout autre extincteur approprié pour l'incendie de la batterie.</li> <li>• L'extincteur ABC peut être utilisé sur d'autres éléments, où il n'entrera pas en contact avec le bloc-batterie.</li> </ul> <p><b>Ce qu'il faut faire :</b></p> <ol style="list-style-type: none"> <li>1. Si un incendie se produit lors de la charge des batteries, débranchez le disjoncteur du bloc-batterie pour couper l'alimentation du chargeur, si cela ne présente pas de danger.</li> <li>2. Si le bloc-batterie n'est pas encore en feu, éteignez le feu avant que le bloc-batterie ne prenne feu.</li> <li>3. Si le bloc-batterie est en feu, n'essayez pas de l'éteindre mais évacuez immédiatement les personnes.</li> </ol>
 <b>Si le bloc-batterie brûle</b>	<p>Une explosion est possible lorsque les batteries sont chauffées à plus de 150 °C. Lorsque le bloc-batterie brûle, il laisse échapper des gaz toxiques. <b>Ne vous approchez pas.</b></p>

## 2.3. Consignes de sécurité importantes

Scénarios à haut risque	Actions recommandées
 <p><b>Danger de mort par électrocution en cas de contact avec des composants ou des câbles sous tension</b></p>	<p>Il y a une haute tension dans les composants conducteurs ou les câbles de l'onduleur. Le contact avec des pièces et des câbles sous tension peut entraîner la mort ou des blessures mortelles par électrocution.</p> <ul style="list-style-type: none"> <li>• Ne touchez pas les pièces ou les câbles non isolés.</li> <li>• Débranchez le produit des sources de tension et assurez-vous qu'il ne peut pas être rebranché avant d'intervenir sur l'onduleur ou le bloc-batterie.</li> <li>• Une fois le produit débranché, attendez 5 minutes que les condensateurs à l'intérieur de l'onduleur se déchargent.</li> <li>• N'ouvrez pas le produit.</li> <li>• Portez un équipement de protection individuelle approprié pour toutes les opérations effectuées sur le produit.</li> </ul>
 <p><b>Danger de mort dû à des tensions dangereuses sur le bloc-batterie</b></p>	<p>Le connecteur à broches du câble d'alimentation présente une tension dangereuse. Le fait de toucher le connecteur à broches du câble d'alimentation peut entraîner une électrocution mortelle.</p> <ul style="list-style-type: none"> <li>• N'ouvrez pas le bloc-batterie.</li> <li>• N'essuyez pas le bloc-batterie avec un chiffon humide.</li> <li>• Laissez les capuchons de protection sur les connecteurs à broches pour le branchement électrique des batteries jusqu'à ce que les câbles de l'onduleur soient connectés au bloc-batterie. Débranchez le système des sources de tension et assurez-vous qu'il ne peut pas être rebranché avant d'intervenir sur l'onduleur ou le bloc-batterie.</li> </ul>
 <p><b>Danger de mort par électrocution en cas de contact avec le cadre d'un module ou d'une installation photovoltaïque non mis à la terre</b></p>	<ul style="list-style-type: none"> <li>• Le contact avec le cadre d'un module ou d'une installation photovoltaïque non mis à la terre peut entraîner la mort ou des blessures mortelles par électrocution.</li> <li>• Connectez et mettez à la terre le cadre des modules photovoltaïques, le cadre de l'installation et les surfaces conductrices d'électricité de manière à assurer une conduction continue.</li> <li>• Respectez les réglementations locales en vigueur.</li> </ul>
 <p><b>Danger de mort par électrocution en cas de contact avec des composants sous tension ou des câbles PV</b></p>	<p>Lorsque les panneaux PV sont exposés à la lumière du soleil, l'installation PV génère un courant continu haute tension dans les conducteurs DC. Tout contact avec les câbles DC sous tension peut entraîner la mort ou des blessures mortelles par électrocution.</p> <ul style="list-style-type: none"> <li>• Débranchez l'onduleur des sources de tension et assurez-vous qu'il ne peut pas être rebranché avant d'intervenir sur le dispositif.</li> <li>• Ne touchez pas les pièces ou les câbles non isolés.</li> <li>• Ne débranchez pas les connecteurs DC en charge.</li> <li>• Portez un équipement de protection individuelle approprié pour toute intervention sur l'onduleur.</li> </ul>



**Danger de mort par électrocution en cas de contact avec des composants sous tension du système en présence d'un défaut de mise à la terre**

Lorsqu'un défaut de mise à la terre se produit, certaines parties du système peuvent encore être sous tension. Le contact avec des pièces et des câbles sous tension peut entraîner la mort ou des blessures mortelles par électrocution.

- Débranchez le produit des sources de tension et assurez-vous qu'il ne peut pas être rebranché avant d'intervenir sur le dispositif.
- Ne touchez que la partie isolée des câbles de l'installation photovoltaïque.
- Ne touchez aucune partie de la sous-structure ou du cadre de l'installation photovoltaïque.
- Ne connectez pas à l'onduleur des chaînes photovoltaïques présentant des défauts de mise à la terre.

#### Scénarios à haut risque

#### Actions recommandées



**Risque de brûlures chimiques dues à l'électrolyte ou aux gaz toxiques**

En fonctionnement normal, aucun électrolyte ne s'échappe du bloc-batterie et aucun gaz toxique ne se forme. Malgré une construction soignée, si le bloc-batterie est endommagé ou si une défaillance se produit, il est possible que de l'électrolyte s'échappe ou que des gaz toxiques se forment.

- Conservez le bloc-batterie dans un endroit frais et sec.
- Ne faites pas tomber le bloc-batterie et ne l'endommagez pas avec des objets pointus.
- Ne posez le bloc-batterie que sur sa face arrière ou inférieure.
- N'ouvrez pas le bloc-batterie.
- N'installez pas et ne faites pas fonctionner le bloc-batterie dans une atmosphère potentiellement explosive ou dans des zones très humides.
- Si de l'humidité a pénétré dans le bloc-batterie (par exemple, en raison d'un boîtier endommagé), n'installez pas et ne faites pas fonctionner le bloc-batterie.
- En cas de contact avec l'électrolyte, rincez immédiatement les zones affectées avec de l'eau et consultez un médecin sans tarder.

#### Scénarios de mise en garde

#### Actions recommandées



**Risque de brûlures dues à la chaleur du dissipateur et du boîtier**

Le boîtier et le capot de l'onduleur peuvent chauffer pendant le fonctionnement. Pendant le fonctionnement, ne touchez rien d'autre que le capot de l'onduleur.



**Dommages causés à l'onduleur par une décharge électrostatique**












- Si vous touchez les composants électroniques, vous risquez d'endommager ou de détruire l'onduleur et la batterie par décharge électrostatique.
- Mettez-vous à la terre avant de toucher un composant.















**Dommages dus aux produits de nettoyage**

- L'utilisation de produits de nettoyage peut endommager le système de stockage d'énergie et ses composants.
- Nettoyez le système et tous ses composants uniquement à l'aide d'un chiffon humidifié à l'eau claire.

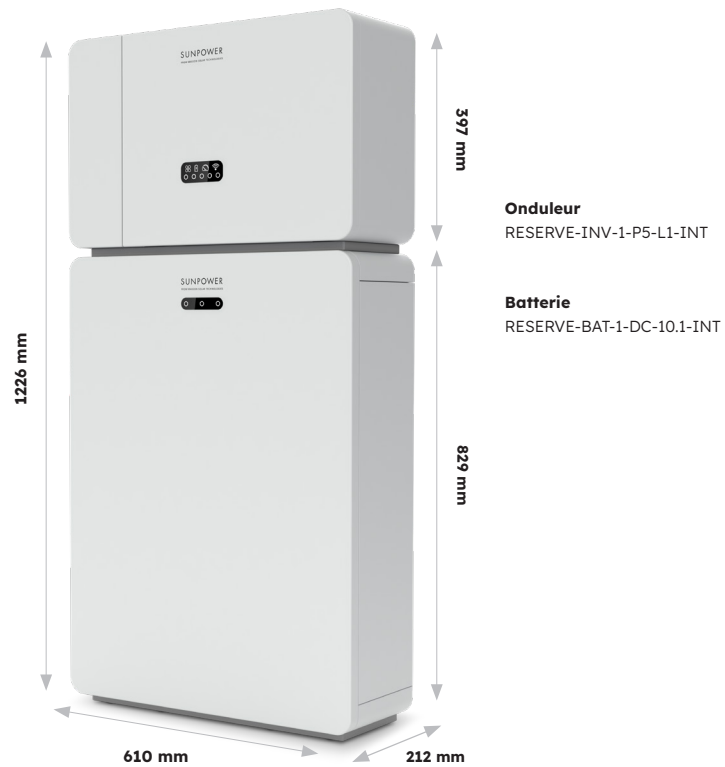
## 2.4. Explication des symboles

Symboles de l'onduleur	Explication
	Attention zone de danger Ce symbole indique que l'onduleur doit être mis à la terre si une mise à la terre ou une liaison équipotentielle supplémentaire est nécessaire sur le site d'installation.
	Attention à la tension électrique Le produit fonctionne à des tensions élevées.
	Attention aux surfaces chaudes Le produit peut chauffer pendant son fonctionnement.
	Danger de mort dû à des tensions élevées dans l'onduleur, respectez un temps d'attente de 5 minutes. Avant toute intervention sur l'onduleur, déconnectez-le de toutes les sources de tension comme indiqué dans le présent document.
	Désignation DEEE N'éliminez pas le produit avec les ordures ménagères, mais conformément aux règles d'élimination des déchets électroniques en vigueur sur le lieu d'installation.
	Respectez la documentation
	Marquage CE Le produit est conforme aux exigences des directives européennes applicables.
	Sécurité certifiée Le produit a été testé par TÜV et est conforme aux exigences de la loi européenne sur la sécurité des équipements et des produits.
	RCM (Regulatory Compliance Mark) Le produit est conforme aux exigences des normes australiennes applicables.
	Marquage UKCA Le produit est conforme aux réglementations des lois applicables en Angleterre, au Pays de Galles et en Écosse.
	Labellisation RoHS Le produit est conforme aux exigences des directives européennes applicables.

Symboles de la batterie	Explication
	Attention zone de danger Ce symbole indique que le bloc-batterie doit être mis à la terre si une mise à la terre ou une liaison équipotentielle supplémentaire est nécessaire sur le site d'installation.
	Risque de brûlures chimiques
	Risque d'explosion
	Respectez la documentation
	Risque de fuite d'électrolyte
	Marquage CE Le produit est conforme aux exigences des directives européennes applicables.
	Reportez-vous aux instructions d'utilisation
	Utilisez des lunettes de protection
	Flamme nue interdite, et défense de faire du feu et de fumer
	Installez le produit hors de portée des enfants
 Li-Ion	Ne jetez pas le bloc-batterie avec les ordures ménagères, mais conformément aux réglementations locales en vigueur en matière d'élimination des batteries
	Code de recyclage
<b>UN38.3</b>	Marquage pour le transport de marchandises dangereuses Le produit est conforme aux certifications de la norme UN38.3

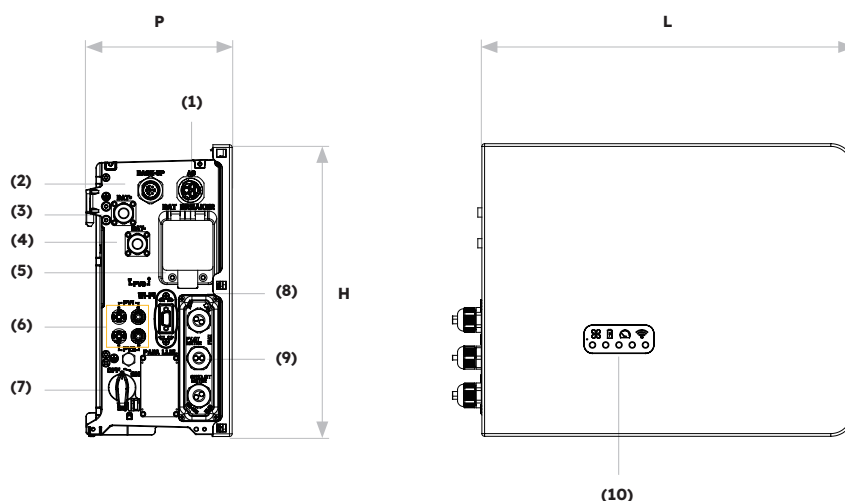
## 3.0 Présentation du produit et scénarios d'application

### 3.1. Présentation du système



## 3.2. Description de l'onduleur

### 3.2.1. Présentation de l'interface électrique de l'onduleur



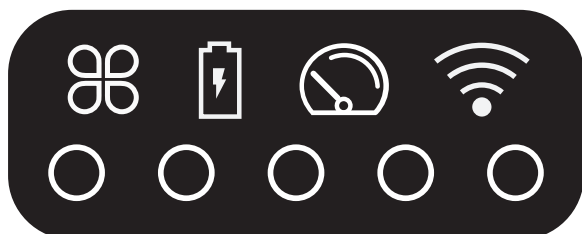
Position	Description
1	Connecteur réseau
2	Connecteur de secours
3	Connecteur d'alimentation positif de la batterie
4	Connecteur d'alimentation négatif de la batterie
5	Disjoncteur* de la batterie de l'onduleur
6	Connecteurs PV positif et négatif, PV1/PV2
7	Interrupteur PV*
8	Port Wi-Fi
9	Communication (Ports CAN/RS485, BMS, LAN, Compteur/TC réseau, DRM**, TC PV, AUX)
10	LED de l'onduleur

\* Tous les disjoncteurs et interrupteurs de l'onduleur sont éteints lors de l'expédition.

\*\* Le DRM est uniquement destiné aux régions soumises aux règles de sécurité AS/NZS 4777.2.

### 3.2.2. Interface d'affichage de l'onduleur

Le panneau d'affichage de l'onduleur comporte neuf indicateurs LED.







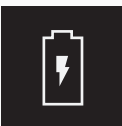
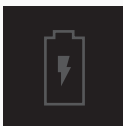


#### Indicateurs LED supérieurs

Les quatre voyants du système fournissent des informations sur l'état et les opérations du système

#### Indicateurs LED inférieurs

Cinq voyants indiquent l'état de charge des batteries en fonctionnement normal

Toutefois, lorsque le système présente une anomalie, la combinaison des deux voyants supérieur et inférieur est utilisée pour afficher les codes d'erreur :

État normal	Description	État anormal	Description
 <b>SYSTÈME</b>	<b>Lumière blanche</b> Le système fonctionne normalement	 <b>SYSTÈME</b>	<b>Lumière rouge</b> Le système présente une défaillance
 <b>COMPTEUR</b>	<b>Lumière blanche</b> La communication avec le compteur fonctionne normalement	 <b>COMPTEUR</b>	<b>Pas de lumière</b> Perte du compteur
 <b>BATTERIE</b>	<b>Lumière blanche</b> La batterie fonctionne normalement	 <b>BATTERIE</b>	<b>Pas de lumière</b> La batterie ne fonctionne pas normalement
 <b>COMMUNICATIONS</b>	<b>Lumière blanche</b> Serveur connecté	 <b>COMMUNICATIONS</b>	<b>Pas de lumière</b> Serveur déconnecté









Les voyants de l'onduleur fonctionnent aussi différemment pendant le processus de téléchargement et de mise à jour du logiciel :

Lumière	Pendant le téléchargement et la mise à jour du logiciel
Affichage de la lumière de l'onduleur	Pendant que l'onduleur télécharge le fichier pour mettre à jour son micrologiciel, les 5 LED du bas s'allument de façon alternative des deux extrémités vers le milieu. Lorsque le téléchargement est terminé et que la mise à niveau commence, les 5 LED inférieures s'allument de façon alternative du milieu vers les deux extrémités.
Affichage du voyant de la batterie	Le nombre de lumières de gauche à droite est de 1 à 3. Pendant la mise à niveau, la lumière blanche n° 3 clignote rapidement et les deux autres LED sont éteintes.

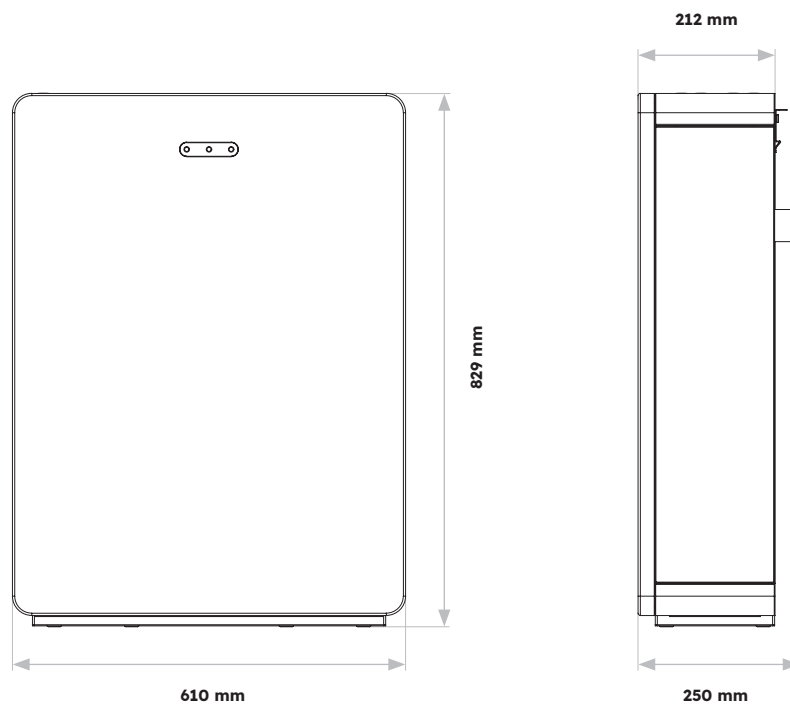
Les indicateurs LED inférieurs situés sur le panneau avant de l'onduleur fournissent des informations sur l'état de charge (SOC). Si toutes les batteries fonctionnent normalement, elles s'allument en blanc fixe ou sont éteintes.

Pendant les différents états de charge, les voyants s'affichent comme suit :

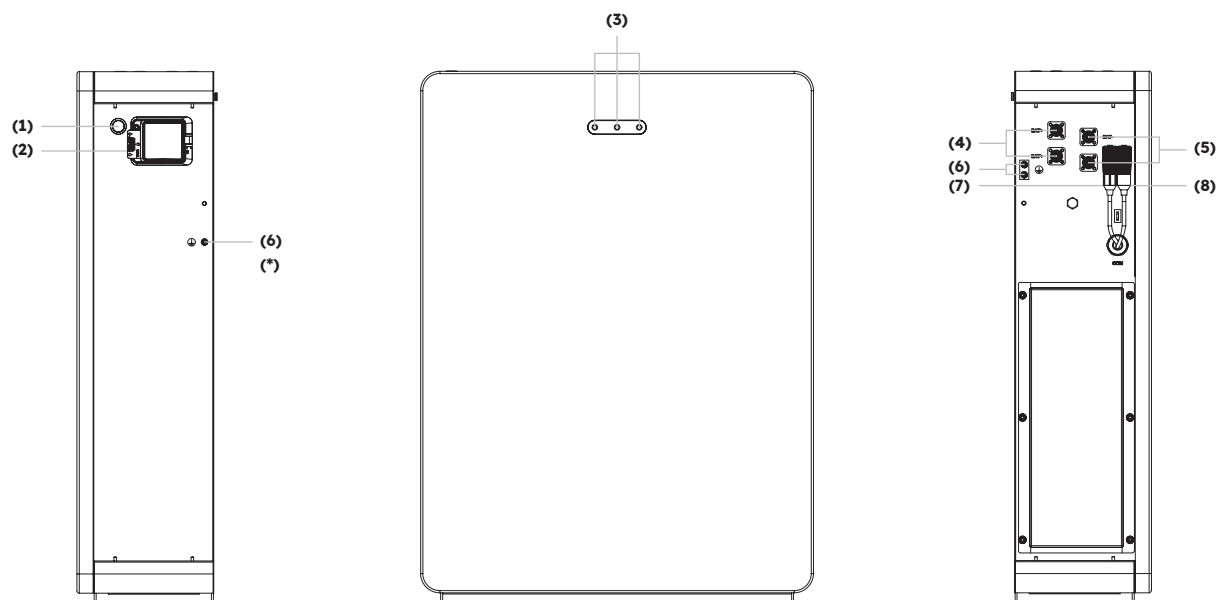
État de charge (SOC)	Description
	$SOC \leq 5,2 \%$
	$5,2 \% < SOC \leq 9,5 \%$
	$9,5 \% < SOC \leq 25,2 \%$
	$25,2 \% < SOC \leq 50 \%$
	$50 \% < SOC \leq 75,2 \%$
	$75,2 \% \leq SOC \leq 100 \%$

### 3.3 Description de la batterie

Aspect et dimensions du bloc-batterie :



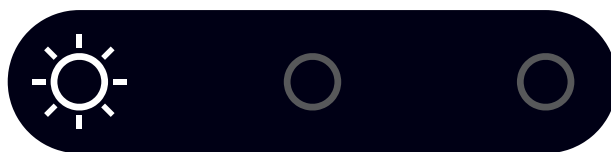
Vue d'ensemble de la zone de connexion :



Position	Description
1	Bouton de démarrage de la batterie
2	Disjoncteur de la batterie
3	Affichage LED de la batterie
4	Connecteur d'alimentation Batterie+
5	Connecteur d'alimentation Batterie-
6	Borne de mise à la terre
7	BMS COM (1)
8	BMS COM (2) (avec résistance de terminaison)

### Affichage LED de la batterie

Les trois indicateurs LED situés sur la face avant de la batterie fournissent des informations sur l'état de fonctionnement du SOC de la batterie unique, avec des voyants blancs fixes ou clignotants :



État de charge (SOC)	Description
	$SOC \leq 10 \%$
	$10 \% < SOC \leq 30 \%$
	$30 \% < SOC \leq 50 \%$
	$50 \% < SOC \leq 60 \%$
	$60 \% < SOC \leq 90 \%$
	$90 \% < SOC \leq 100 \%$

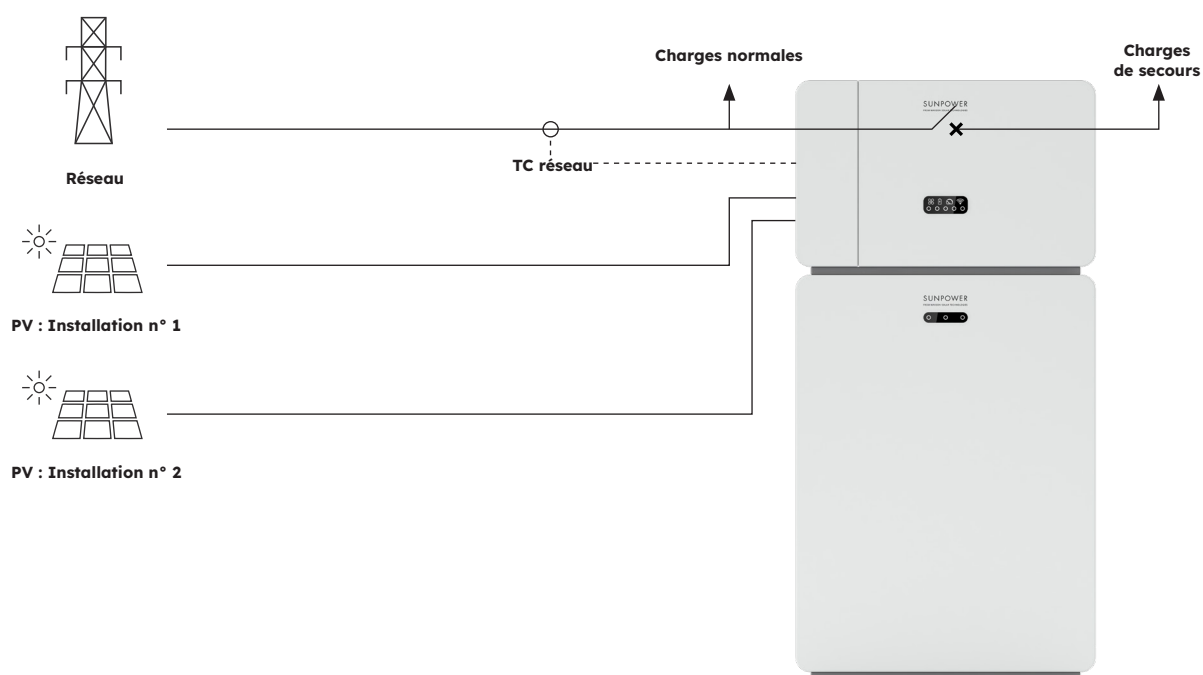
## 3.4 Scénarios d'application

Le système SunPower Reserve est un système de stockage flexible qui peut être utilisé dans tous les scénarios suivants :

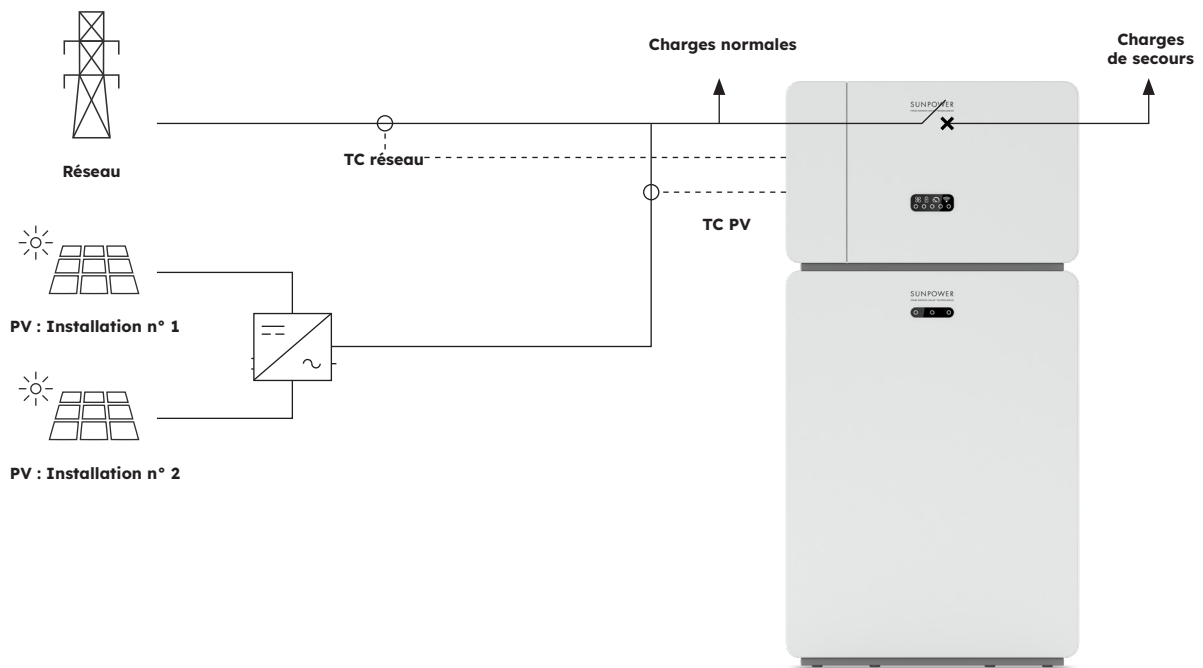
Application	Description	Avantages
<b>DC</b>	Première installation de panneaux photovoltaïques L'onduleur hybride permet de faire fonctionner à la fois l'énergie solaire et la batterie	Aucun onduleur supplémentaire n'est nécessaire
<b>AC</b>	Un réseau photovoltaïque a été installé précédemment ou le réseau photovoltaïque utilise des micro-onduleurs. Le système sera composé d'onduleurs dédiés à l'énergie solaire et aux batteries	<ul style="list-style-type: none"> <li>• Les charges peuvent être prélevées simultanément sur la batterie et sur le système photovoltaïque</li> <li>• Le système de batterie peut être mis à jour</li> </ul>
<b>Hybride</b>	Des panneaux photovoltaïques ont été installés précédemment et une nouvelle installation photovoltaïque est ajoutée en tant que système séparé ; l'onduleur hybride fera fonctionner la nouvelle installation et la batterie	<ul style="list-style-type: none"> <li>• Peut être couplé à n'importe quel système photovoltaïque existant</li> <li>• Augmentation de la taille et du contrôle du système sans modifier le système PV d'origine</li> </ul>

Voici un exemple de chacun de ces scénarios :

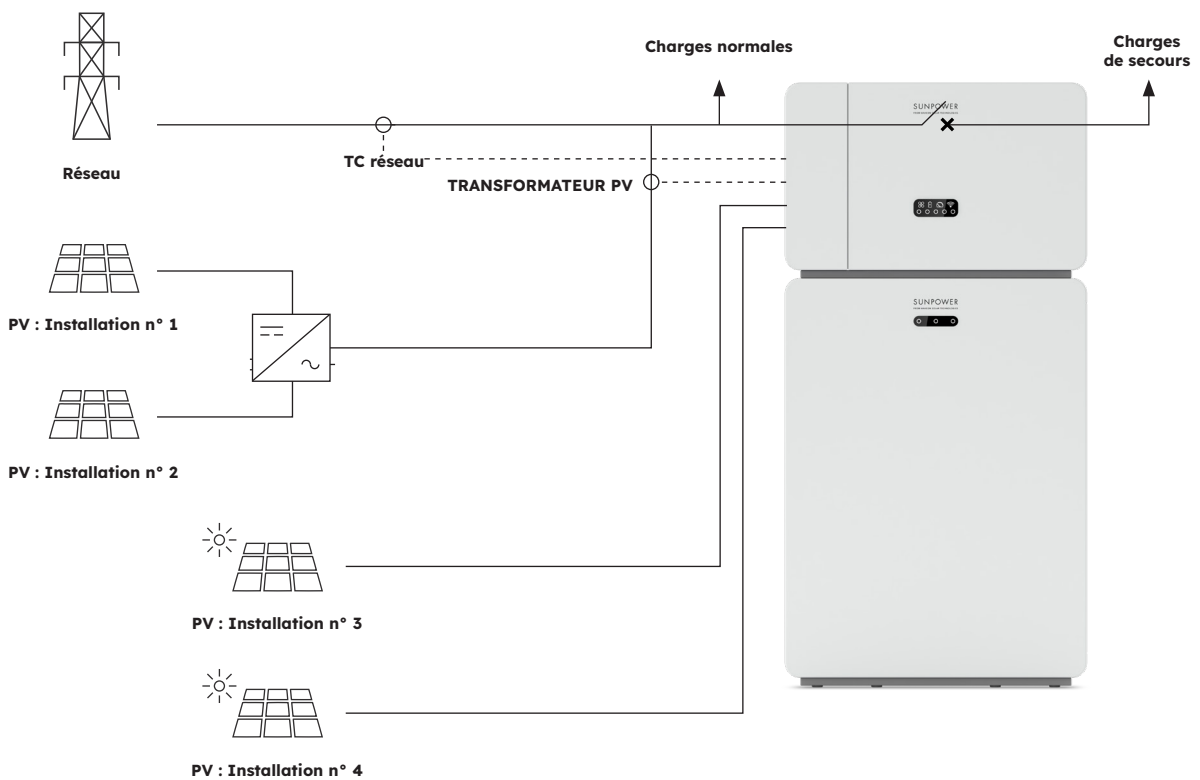
### 3.4.1. Système de stockage à couplage DC



### 3.4.2. Système de stockage à couplage AC



### 3.4.3. Système de stockage à couplage hybride



## 4.0 Stockage et transport

### 4.1. Stockage

Les exigences suivantes doivent être respectées si l'onduleur n'est pas utilisé directement :

Produit(s)	Instructions de stockage
<b>Onduleur :</b> <b>RESERVE-INV-1-P5-L1-INT</b>	<ol style="list-style-type: none"><li>1. Ne déballez pas l'onduleur.</li><li>2. Maintenez la température de stockage à -40 °C/+70 °C et l'humidité à 5 %/95 % HR.</li><li>3. L'onduleur doit être stocké dans un endroit propre et sec et être protégé de la poussière et de la corrosion due à la vapeur d'eau.</li><li>4. Cinq onduleurs maximum peuvent être empilés. Pour éviter tout risque de blessure ou d'endommagement de l'appareil, empilez les onduleurs avec précaution pour éviter qu'ils ne tombent.</li><li>5. Durant la période de stockage, vérifiez régulièrement l'onduleur. Remplacez en temps utile les matériaux d'emballage endommagés par des insectes ou des rongeurs.</li><li>6. Si les onduleurs ont été stockés pendant plus de deux ans, ils doivent être vérifiés et testés par des professionnels avant d'être mis en service.</li></ol>
<b>Batterie :</b> <b>RESERVE-BAT-1-DC-10.1-INT</b>	<ol style="list-style-type: none"><li>1. Placez les batteries en respectant les indications de la boîte d'emballage pendant le stockage. Ne mettez pas les batteries à l'envers ou sur le côté.</li><li>2. Empilez les caisses d'emballage des blocs-batteries en respectant les exigences d'empilage figurant sur l'emballage extérieur.</li><li>3. Conservez la batterie hors de portée des enfants et des animaux.</li><li>4. Rangez le bloc-batterie dans un endroit où la poussière et la saleté sont réduites au minimum.</li><li>5. Manipulez les batteries avec précaution pour éviter de les endommager.</li><li>6. Les exigences en matière d'environnement de stockage sont les suivantes :<ol style="list-style-type: none"><li>a. Température ambiante : -10 °C/+55 °C, température de stockage recommandée : 15 °C/30 °C</li><li>b. Humidité relative : 15 %/85 %</li><li>c. Placez les batteries dans un endroit sec et propre avec une ventilation adéquate.</li><li>d. Placez les batteries dans un endroit éloigné des solvants et des gaz organiques corrosifs.</li><li>e. Conservez les batteries à l'abri de la lumière directe du soleil.</li><li>f. Conservez les batteries à une distance d'au moins 2 m des sources de chaleur.</li></ol></li><li>7. Les batteries stockées doivent être déconnectées des appareils externes. Les indicateurs (s'il y en a) sur les batteries doivent être éteints.</li></ol>

8. Les batteries doivent être livrées selon la règle du « premier arrivé, premier sorti ».
9. Le magasinier doit collecter chaque mois les informations relatives au stockage des batteries et les communiquer périodiquement au service de planification. Les batteries qui ont été stockées pendant près de 6 mois doivent être rechargées.
10. Si une batterie au lithium est stockée pendant une longue période, une perte de capacité peut se produire. Après 12 mois de stockage d'une batterie au lithium à la température de stockage recommandée, le taux de perte de capacité irréversible est de 3 %/10 %. Il est recommandé de ne pas stocker les batteries pendant une longue période. Si les batteries doivent être stockées pendant plus de 6 mois, il est recommandé de les recharger à 65 %/75 % de l'état de charge.

## 4.2. Transport

Pendant le transport, veuillez respecter les consignes suivantes :

1. Utilisez l'emballage d'origine pour le transport.
2. Manipulez les produits avec précaution, choisissez la méthode de manipulation appropriée en fonction du poids et veillez à la sécurité.
3. Pendant le transport, évitez les dommages mécaniques et gardez le produit au sec.
4. Veuillez sécuriser l'emballage pendant le transport afin d'éviter tout dommage.
5. Respectez les réglementations locales en matière de levage d'objets lourds et de risques de sécurité.

## 5.0 Montage

### 5.1. Vérification de l'emballage extérieur

Avant de débiller le produit, vérifiez que l'emballage extérieur n'est pas endommagé (trous, fissures, etc.). Si vous constatez des dommages, ne débiller pas le produit et contactez votre fournisseur dès que possible.

### 5.2. Contenu de la livraison

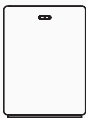
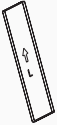
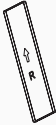
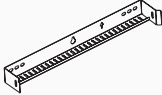




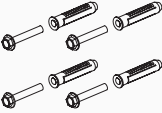

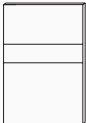
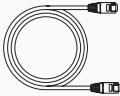



Vérifiez que le contenu de la livraison est complet et qu'il ne présente pas de dommages visibles de l'extérieur. Contactez votre fournisseur si la livraison est incomplète ou endommagée.

### 5.3. Inclus dans la boîte

Vérifiez les composants inclus avec l'onduleur et la batterie dans la liste ci-dessous.

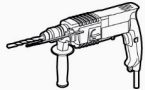



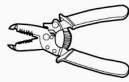
















Onduleur (RESERVE-INV-1-P5-L1-INT)				
RESERVE-INV-1-P5-L1-INT (x1)	Plaque de décoration supérieure (x1)	Boîtier de câbles (x1)	Base de l'onduleur (x1)	Paire de connecteurs PV MC4 (X2)
Module Wi-Fi (x1)	Connecteur réseau (x1)	Connecteur de secours (x1)	Connecteur AUX (x1)	TC réseau (x1)
TC PV (x1)	Câble du TC réseau (x1)	Câble TC PV (x1)	Câble d'alimentation positif de la batterie (x1)	Câble d'alimentation négatif de la batterie (x1)
Câble de communication batterie (x1)	Vis M4*10 (x2)	Vis M5*12 (x8)	Guide d'installation rapide de l'onduleur	Câble de mise à la terre



BATTERIE (RESERVE-BAT-1-DC-10.1-INT)				
				
Bloc-batterie (x1)	Plaque latérale gauche (x1)	Plaque latérale droite (x1)	Support mural (x1)	M5 x 12 (X3)
				
Support de limite (x2)	Vis de fixation en plastique (M5-L8) (x12)	Dispositif de blocage en plastique (x4)	Vis d'ancrage et d'expansion (x4)	Borniers de type Y (x2)
				
Guide d'installation rapide de la batterie (x1)	Câble de communication de batterie supplémentaire (x1)	Câble d'alimentation positif de batterie supplémentaire (x1)	Câble d'alimentation négatif de batterie supplémentaire (x1)	Câble de mise à la terre (x1)

## 5.4. Préparation des outils et des instruments

Assurez-vous que l'équipement et les dispositifs de sécurité suivants sont disponibles avant l'installation de l'appareil :

Outils, instruments et équipements de protection individuelle				
				
Perceuse à percussion (avec foret de $\varnothing 10$ mm)	Clé à douille dynamométrique M10	Multimètre (plage de tensions DC 0-1000 V DC)	Pince diagonale	Pince à dénuder
				
Tournevis PH2 (plage de couple : 0-5 Nm)	Maillet en caoutchouc	Cutter	Coupe-câble	Outil de sertissage
				
Sertisseuse de bornes	Outil de démontage et d'assemblage du connecteur PV	Aspirateur	Tubes thermorétractables	Pistolet thermique
				
Marqueur	Ruban à mesurer	Niveau à bulle ou numérique	Respirateur anti-poussière	Chaussures de sécurité
				
Gants de sécurité	Lunettes de sécurité			

## 5.5. Exigences pour le montage



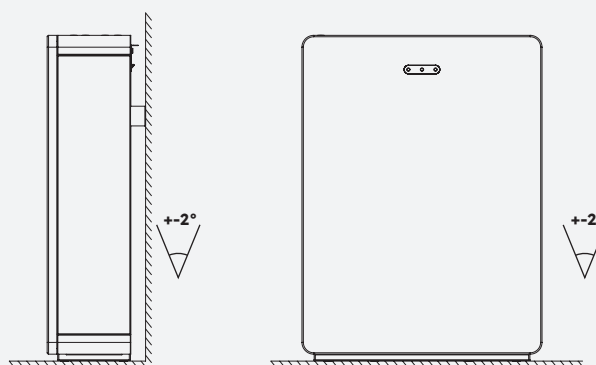
Malgré une construction soignée, les appareils électriques peuvent provoquer des incendies.

- N'installez pas le système de stockage d'énergie dans des zones contenant des matériaux ou des gaz hautement inflammables.
- N'installez pas le système dans des atmosphères potentiellement explosives.

Type	Exigences
<b>Base</b>	<ul style="list-style-type: none"><li>• Le système SunPower Reserve peut être utilisé à l'intérieur comme à l'extérieur.</li><li>• N'installez pas l'onduleur dans un endroit où une personne peut facilement le toucher, car son boîtier et son capot peuvent être très chauds pendant le fonctionnement.</li><li>• N'installez pas le système dans des zones où se trouvent des matériaux inflammables ou explosifs.</li><li>• N'installez pas le système dans un endroit accessible aux enfants.</li><li>• N'installez pas le système à l'extérieur dans des zones salines, car il risque de se corroder et de provoquer un incendie. Une zone saline désigne une région située à moins de 500 m de la côte ou exposée à la brise de mer.</li></ul>
<b>Environnement de montage</b>	<ul style="list-style-type: none"><li>• Le système doit être monté dans un environnement bien ventilé pour assurer une bonne dissipation de la chaleur.</li><li>• N'installez pas le système dans des endroits où il pourrait être exposé à la lumière du soleil, car la puissance du système pourrait être réduite en raison de la chaleur accrue.</li><li>• Installez le système dans un endroit abrité ou prévoyez un auvent au-dessus du produit.</li><li>• La température optimale pour le bloc-batterie se situe entre 15 °C et 30 °C et il ne doit pas être exposé à la lumière du soleil.</li><li>• Ne pas exposer ou placer à proximité de sources d'eau telles que des tuyaux de descente ou des arroseurs.</li><li>• Si le bloc-batterie est monté dans une zone où des véhicules sont présents, assurez une protection mécanique contre les véhicules.</li></ul>
<b>Structure de montage</b>	<ul style="list-style-type: none"><li>• La surface de montage derrière le système ne doit pas permettre la propagation du feu.</li><li>• Assurez-vous que le sol de montage est solide et capable de supporter le poids du système.</li></ul>

### Angle de montage et empilement

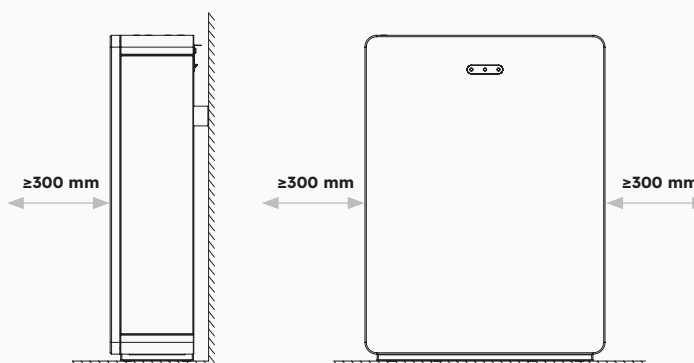
- L'onduleur doit être monté sur la batterie. L'angle d'installation requis est le suivant :



- Ne montez pas la batterie en position inclinée vers l'avant, sur le côté, à l'horizontale ou à l'envers

### Espace de montage

- Réservez un dégagement suffisant autour du produit afin de garantir un espace suffisant pour l'installation, l'entretien et la dissipation de la chaleur.
- Le dégagement latéral est une recommandation. Maintenez le dégagement le plus court possible s'il n'a pas d'incidence sur le fonctionnement et l'entretien de l'appareil.

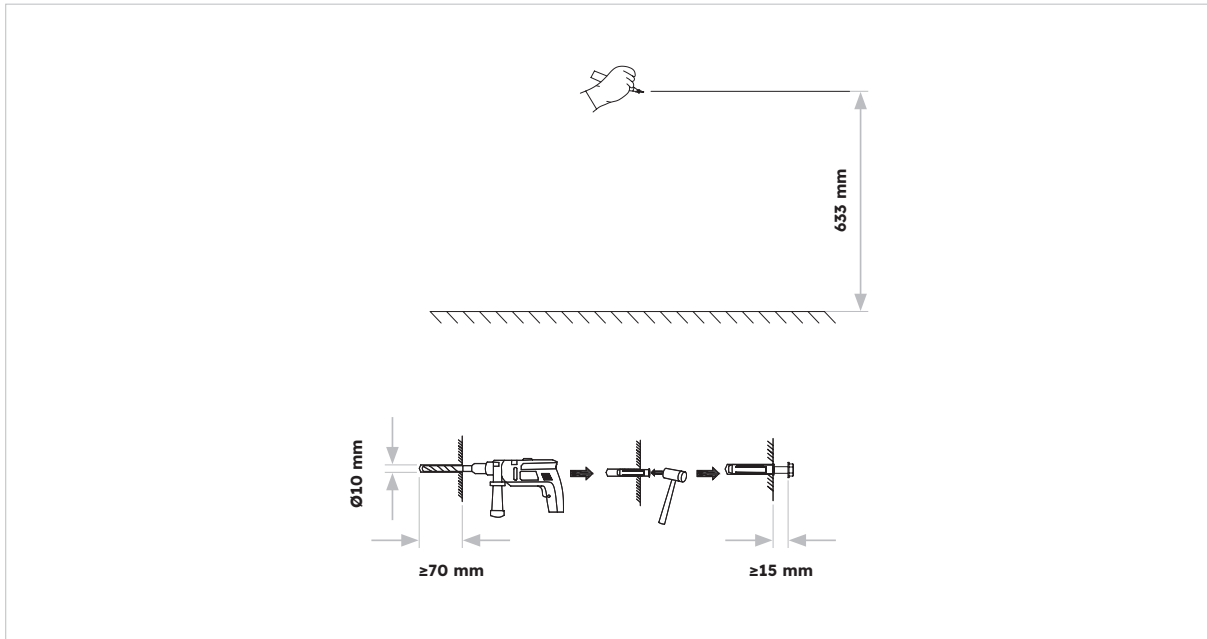


## 5.6 Montage du système de stockage d'énergie

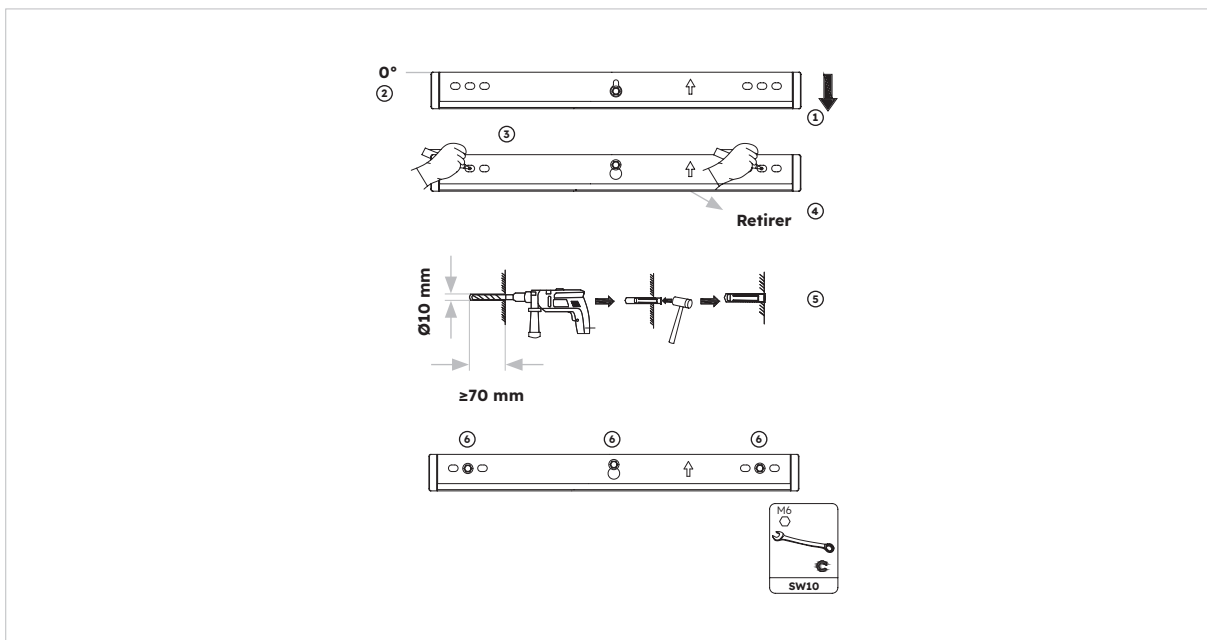
### 5.6.1. Montage de la batterie

#### Instructions de montage de la batterie :

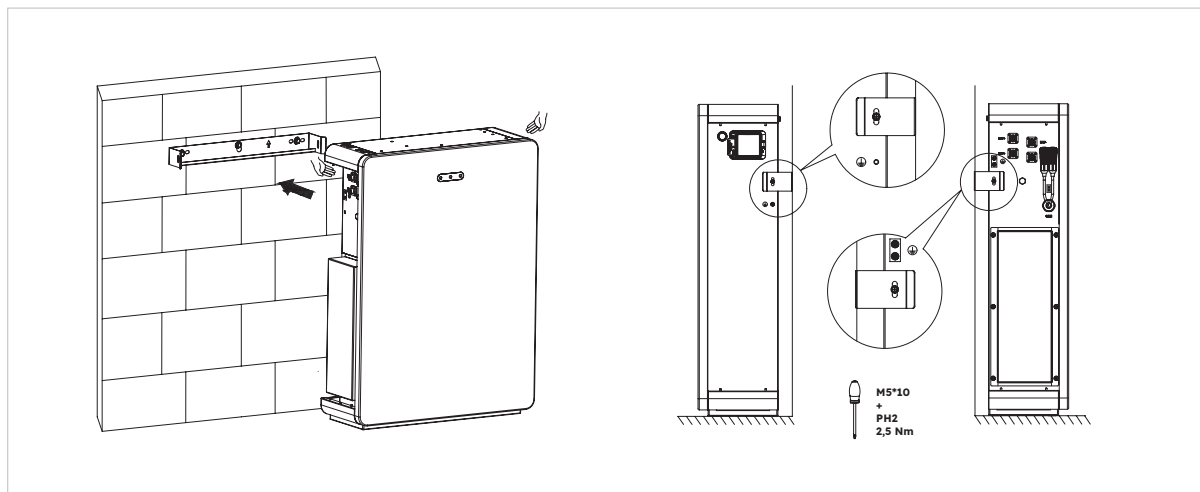
1. Sortez la batterie du carton et transportez-la sur le site d'installation à l'aide d'un diable approprié doté d'un dispositif d'arrimage.



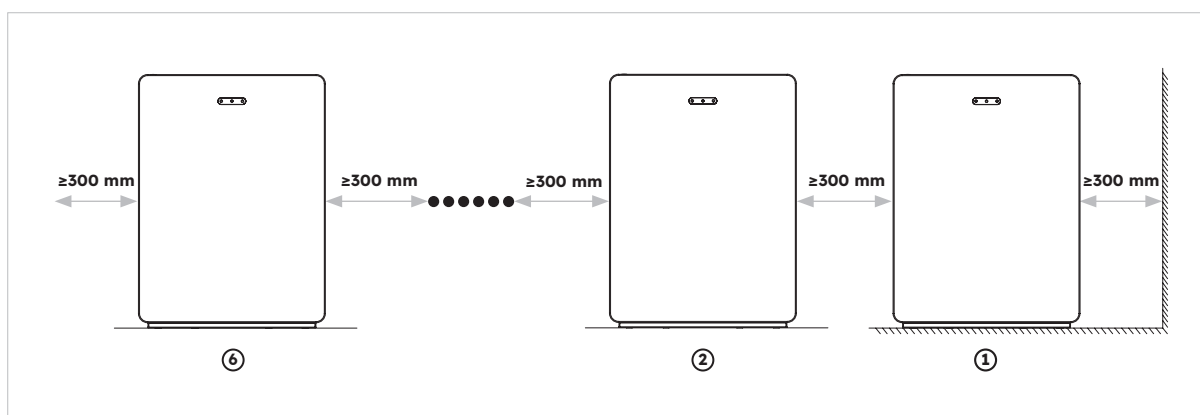
2. Marquez les trous et montez les panneaux muraux. Veillez à ce que la surface sous la/les batterie(s) soit solide et plane.



3. Fixez la batterie sur le support mural à l'aide de deux vis M5\*10.



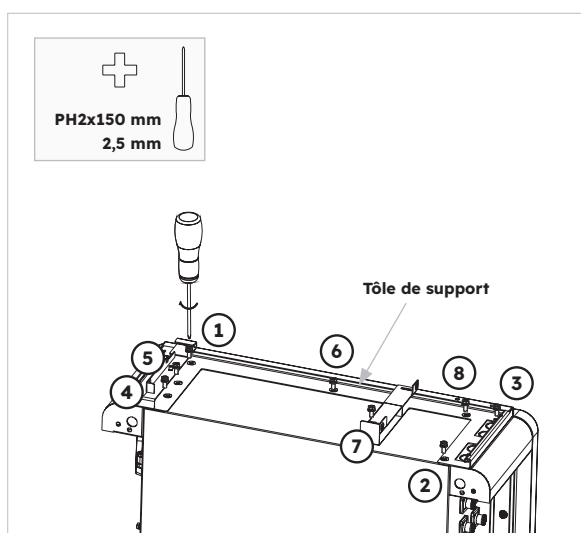
4. Pour monter des batteries supplémentaires (6 unités maxi), veuillez suivre ces étapes :



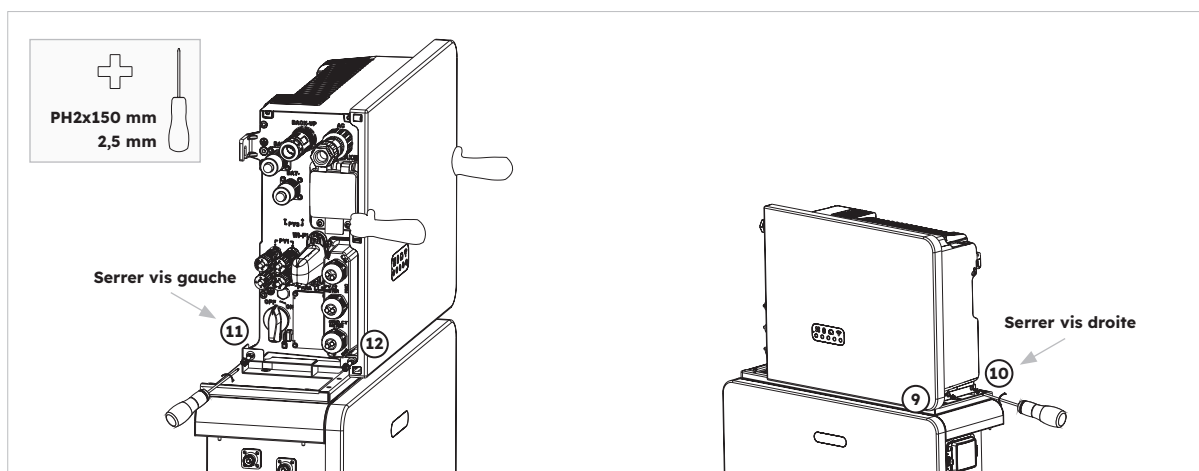
## 5.6.2. Montage de l'onduleur

Instructions de montage de l'onduleur :

1. Placez la base de l'onduleur sur le dessus de la batterie et fixez-la.



- Fixez l'onduleur sur les côtés de la base et serrez les vis de gauche :



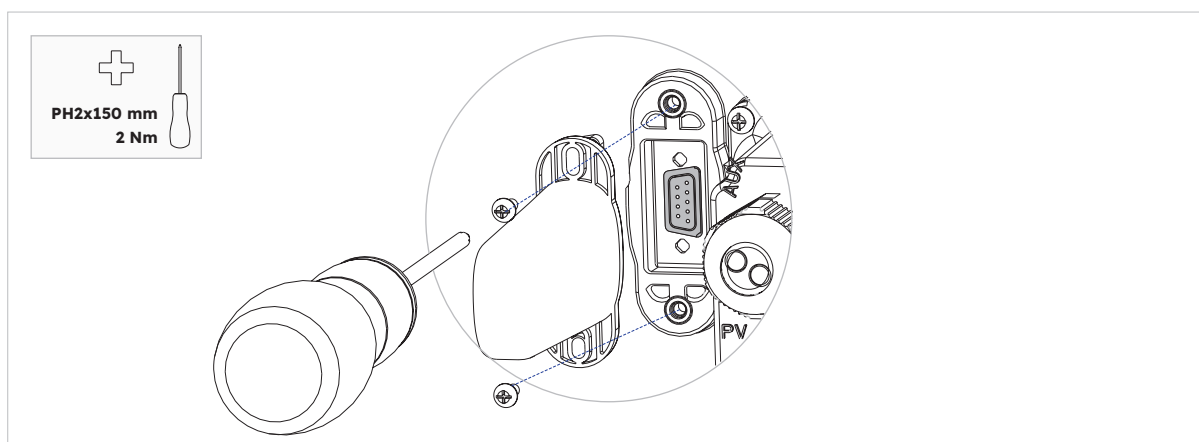
### 5.6.3. Montage du module Wi-Fi

Instructions de montage de l'onduleur

- Retirez le capot Wi-Fi anti-poussière du côté gauche de l'onduleur



- Fixez le module Wi-Fi à l'onduleur à l'aide de la vis M4\*10 (X2)



Remarque : si vous le préférez, vous pouvez installer le dongle Wi-Fi en dernier afin de laisser l'accès libre pour la connexion des câbles électriques.

## 6.0 Raccordement électrique



Les dommages causés au système de stockage d'énergie par des connexions de câbles incorrectes ne sont couverts par aucune garantie. Seuls les électriciens certifiés sont autorisés à raccorder les câbles. Le personnel d'exploitation doit porter un EPI approprié lors de la connexion des câbles.



Avant de connecter les câbles, assurez-vous que tous les disjoncteurs et interrupteurs du système de stockage d'énergie sont ÉTEINTS. Dans le cas contraire, la tension dangereuse du système peut provoquer des chocs électriques.



Les couleurs des câbles indiquées dans les schémas de connexion électrique de ce chapitre ne sont données qu'à titre de référence. Sélectionnez les câbles conformément aux spécifications locales (les câbles vert et jaune ne sont utilisés que pour la mise à la terre).

### 6.1. Câbles requis pour la connexion

N°	Câble	Type	Surface de la section transversale du conducteur	Diamètre ext.	Source
1	Câbles d'alimentation de la batterie avec onduleur	Câble PV standard du secteur	16 mm <sup>2</sup>	S/O	Livré avec l'onduleur
2	Câble de communication entre la batterie et l'onduleur	Câble réseau standard du secteur	0,12-0,20 mm <sup>2</sup>	S/O	Livré avec l'onduleur
3 <sub>1</sub>	Câble de signal	Câble réseau standard du secteur	0,12-0,20 mm <sup>2</sup>	S/O	Livré avec l'onduleur
4	Câble d'alimentation PV	Câble PV standard du secteur (type recommandé : PV1-F)	4-6 mm <sup>2</sup>	5,5-9 mm	Acheté par l'installateur
5 <sub>2</sub>	Câble de signal	Câble réseau standard du secteur (type recommandé : câble C-Bus)	0,12-0,20 mm <sup>2</sup>	4-6 mm	Acheté par l'installateur
6 <sub>3</sub>	Câble de signal	Câble à paires torsadées blindé à plusieurs conducteurs pour l'extérieur	0,1-1,3 mm <sup>2</sup>	4-6 mm	Acheté par l'installateur
7	Câble de secours pour l'alimentation AC	Câble extérieur en cuivre à trois conducteurs (P, N et T)	4-6 mm <sup>2</sup>	10-14 mm	Acheté par l'installateur
8	Câble d'alimentation AC pour le réseau	Câble extérieur en cuivre à trois conducteurs (P, N et T)	6-10 mm <sup>2</sup>	9-18 mm	Acheté par l'installateur
9	Câble de mise à la terre	câble en cuivre monoconducteur pour l'extérieur	4-10 mm <sup>2</sup>	S/O	Acheté par l'installateur



10	Câbles d'alimentation de la batterie supplémentaire	Câble PV standard du secteur	16 mm <sup>2</sup>	S/O	Livré avec la batterie
11	Câble de communication de la batterie supplémentaire	Câble réseau standard du secteur (type recommandé : C-Bus)	0,12 - 0,20 mm <sup>2</sup>	S/O	Livré avec la batterie

1 Pour la connexion de communication du transformateur avec l'onduleur.

2 Pour la connexion de communication CAN/RS485, LAN, compteur, DRM avec l'onduleur.

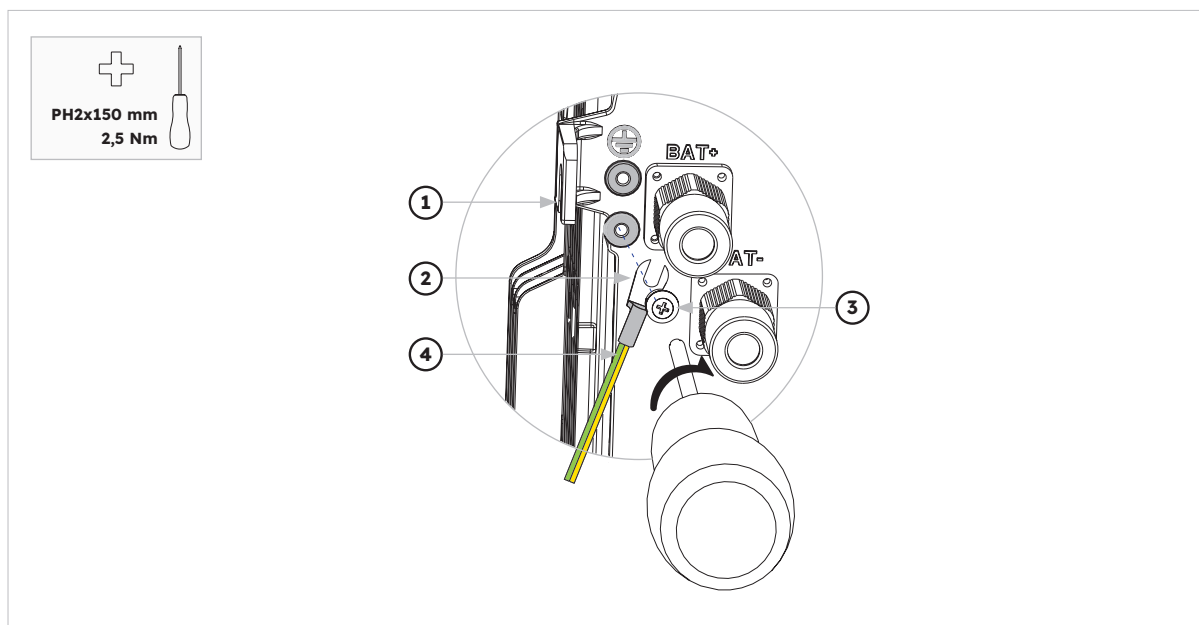
3 Pour la connexion de communication AUX avec l'onduleur.

## 6.2 Raccordement d'une mise à la terre supplémentaire



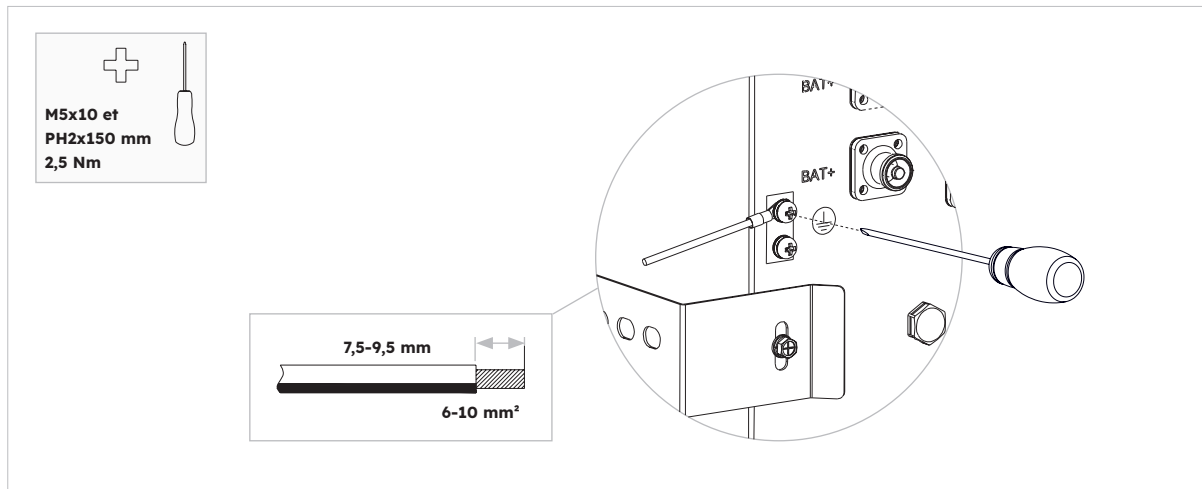
**Risque de choc électrique :** Avant de procéder au raccordement électrique, assurez-vous que l'interrupteur PV et tous les disjoncteurs AC et BAT du système de stockage d'énergie sont éteints et ne peuvent pas être remis en marche.

Un point de mise à la terre externe est prévu en haut à gauche de l'onduleur. Préparez les bornes ouvertes M5, dénudez l'isolation du câble de mise à la terre, insérez la partie dénudée du câble dans la cosse à anneau et serrez à l'aide d'une pince à sertir. Connexion de mise à la terre supplémentaire pour l'onduleur :



Position	Désignation
1	Logement
2	Cosse M5 avec conducteur de protection
3	Vis à tête M5x12 PH2
4	Câble de mise à la terre

Connexion de mise à la terre pour la batterie :



## 6.3. Connexion AC

### 6.3.1. Exigences relatives à la connexion AC



**DANGER**

**Détecteur de fuite à la terre :** L'onduleur ne nécessite pas de disjoncteur de fuite à la terre externe lorsqu'il fonctionne. Si la réglementation locale exige l'utilisation d'un tel dispositif ou d'un système de stockage à couplage hybride avec une forte capacité de couplage depuis l'installation PV et l'onduleur PV, les points suivants doivent être respectés : l'onduleur est compatible avec les disjoncteurs de fuite à la terre de type A avec un courant résiduel nominal de 100 mA ou plus. Chaque onduleur du système doit être connecté au réseau électrique par l'intermédiaire d'un disjoncteur de fuite à la terre distinct.



**DANGER**

**Dispositifs de protection :** Vous devez protéger chaque onduleur avec un disjoncteur réseau/de secours individuel pour vous assurer que l'onduleur peut être déconnecté en toute sécurité.

Câble AC requis :

- Type de conducteur : fil de cuivre
- Diamètre extérieur : 9 mm à 18 mm pour le connecteur réseau, 10 mm à 14 mm pour le connecteur de secours
- Surface recommandée de la section du conducteur : 10 mm<sup>2</sup> pour la connexion au réseau, 6 mm<sup>2</sup> pour la connexion de secours
- Longueur de dénudage de l'isolation : 10 mm
- Longueur de dénudage de la gaine : 50 mm

### 6.3.2. Sélection d'un disjoncteur AC approprié



La spécification maximale autorisée pour les disjoncteurs de réseau est de **50 A** lorsque la section du conducteur en cuivre pour le raccordement au réseau est de **10 mm<sup>2</sup>**. **Selon l'intensité admissible du câble, d'autres incidences sur son dimensionnement doivent être prises en compte.** Vous devez utiliser l'APP (appli SunPower One) ou la plate-forme d'installation (tableau de bord d'installation SunPower One) pour sélectionner le réglage correct si la spécification du disjoncteur réseau est de 32 A ou 40 A, sinon cela augmente le risque de déclenchement du disjoncteur dans des conditions de fonctionnement normales.



La spécification maximale autorisée pour les disjoncteurs de réseau est de **40 A** lorsque la section du conducteur en cuivre pour le raccordement au réseau doit être de **6 mm<sup>2</sup> (dans certains pays : 8 mm<sup>2</sup>)**. **Selon l'intensité admissible du câble, d'autres incidences sur son dimensionnement doivent sérieusement être prises en compte.** Vous devez utiliser APP (appli SunPower One) ou la plate-forme d'installation (tableau de bord d'installation SunPower One) pour sélectionner le réglage correct si la spécification du disjoncteur réseau est de 32 A ou 40 A, sinon cela augmente le risque de déclenchement du disjoncteur dans des conditions de fonctionnement normales.

Les exigences générales pour la sélection des disjoncteurs sont déterminées par les normes et les dispositions spécifiques à chaque pays. Les facteurs d'influence généralement applicables à prendre en compte lors de la sélection d'un disjoncteur approprié sont énumérés ci-dessous :

- Facteurs influençant le courant admissible du câble : type de câble utilisé, température ambiante autour du câble, type d'acheminement du câble, mise en faisceau des câbles.
- Autres influences sur le dimensionnement : impédance de la boucle, échauffement mutuel des disjoncteurs, température ambiante au niveau du disjoncteur, sélectivité, type d'appareil connecté.

Si ces facteurs sont ignorés, le risque de déclenchement du disjoncteur dans des conditions de fonctionnement normales augmente.

Description	Courant maxi	Taille du disjoncteur pour RESERVE-INV-1-P5-L1-INT
Côté réseau	43,5 A	32/40/50 A
Côté secours	21,7 A	32 A

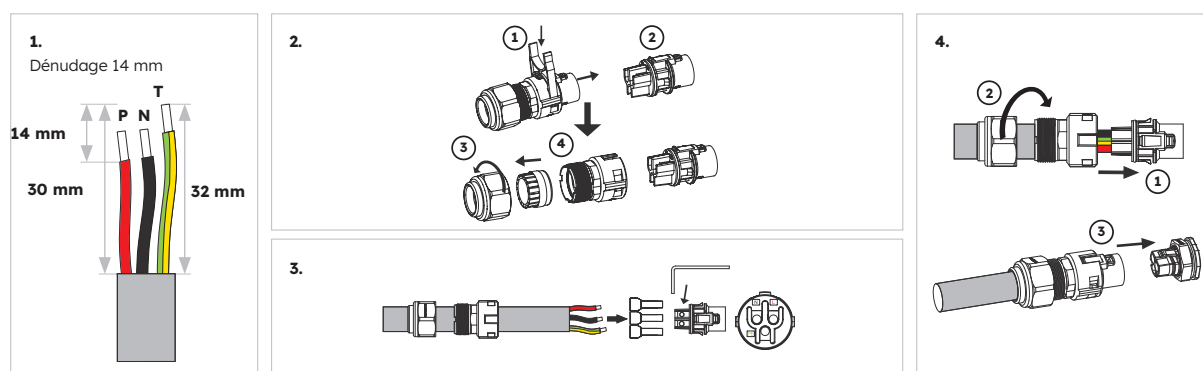
### 6.3.3. Connexion au réseau et connexion de secours

#### Instructions relatives aux connecteurs réseau et de secours :

1. Déconnectez les disjoncteurs et protégez-les contre toute reconnexion.
2. Démontez le câble AC de 50 mm.
3. Raccourcissez les câbles P et N de 2 mm chacun, de sorte que le conducteur de mise à la terre soit plus long de 2 mm. Cela permet de s'assurer que le conducteur de mise à la terre est le dernier à être retiré de la borne à vis en cas de traction.

4. Dénudez l'isolation des câbles P, N et du conducteur de mise à la terre sur 10 mm.
5. Dans le cas de câbles à torons fins, les câbles P, N et T doivent être munis d'embouts.
6. Démontez le connecteur AC et connectez les conducteurs au connecteur AC.
7. Assurez-vous que tous les conducteurs sont bien connectés au connecteur AC, puis assemblez le connecteur AC.
8. Branchez le connecteur réseau dans la prise pour le raccordement au réseau. Ce faisant, alignez le connecteur réseau de manière à ce que la clavette de la prise réseau de l'onduleur soit insérée dans la rainure de l'entrée du connecteur réseau.
9. Pour la connexion de secours, branchez le connecteur de secours dans la prise de secours de l'onduleur et serrez fermement dans le sens des aiguilles d'une montre.

### Pour raccorder le connecteur réseau :



Veuillez vous assurer que le connecteur a été correctement installé.

## Pour brancher le connecteur de secours :

**1.**

Environ 24 mm  
Pour « P » et « N »

8 mm

Environ 26 mm pour T

Câble extérieur en cuivre à trois conducteurs (P, N et T)  
Section du conducteur : 4-6 mm<sup>2</sup>

**2.**

Insérez les conducteurs sertis, P, N et T dans les bornes correspondantes et serrez les vis (couple de serrage 1,5±0,1 Nm)

Assemblez le capuchon de verrouillage, le manchon fileté et l'écrou pivotant

**3.**

Branchez le connecteur dans la prise et serrez fermement

Veillez vous assurer que le connecteur a été correctement installé.



Pour les sites d'installation en Australie et en Nouvelle-Zélande, le neutre est commuté en interne entre les ports réseau et de secours de l'onduleur. Le conducteur Neutre du port de secours doit être connecté à la barre Neutre du site.

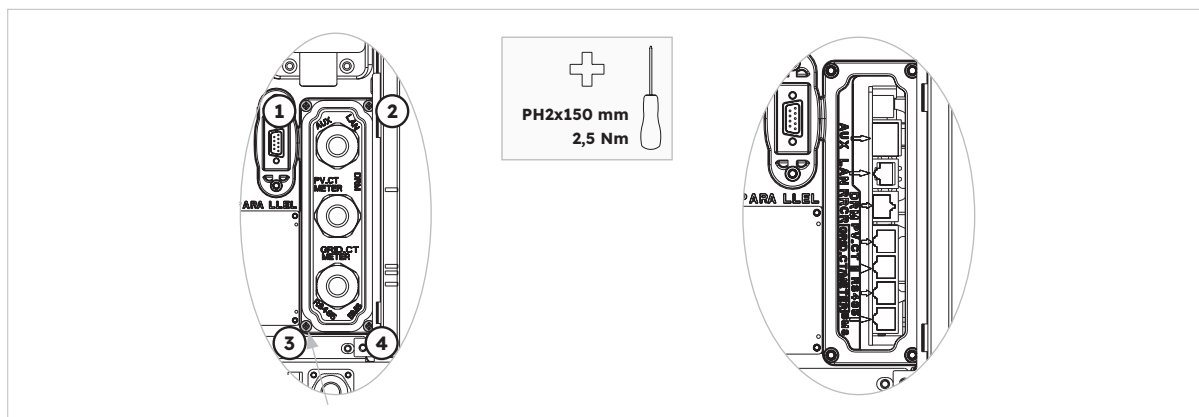
### 6.3.4. Puissance nominale du transformateur

Élément	Courant	Scénarios
TC	100 A	TC

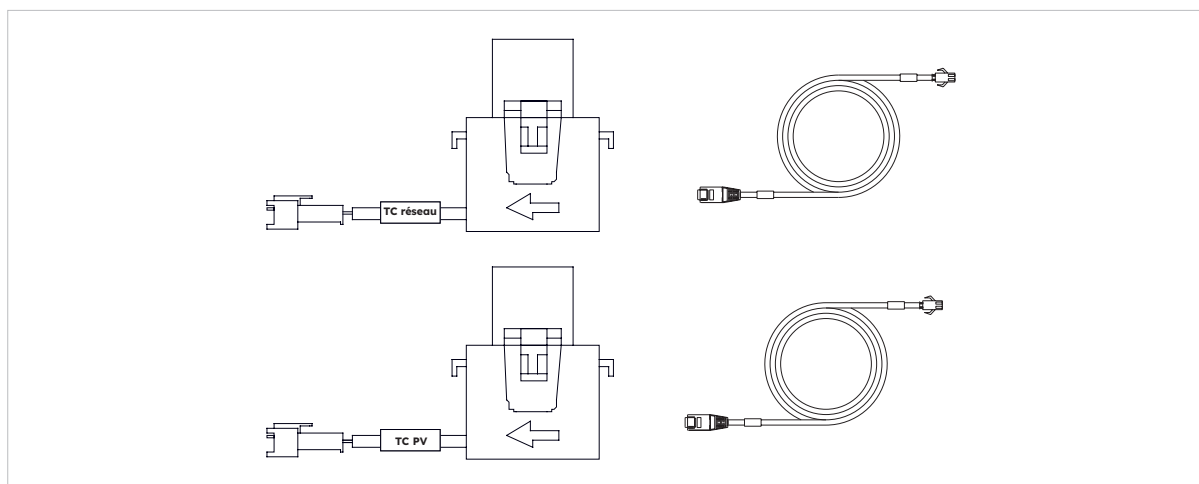
## 6.3.5. Connexion du transformateur

### Instructions de connexion du transformateur :

1. Desserrez les écrous pivotants des presse-étoupes sur le capot de connexion COM de l'onduleur, et dévissez les 4 vis situées dans les angles ; vous verrez alors les ports de communication du transformateur réseau, du transformateur PV et du compteur. Laissez les vis sur le capot.



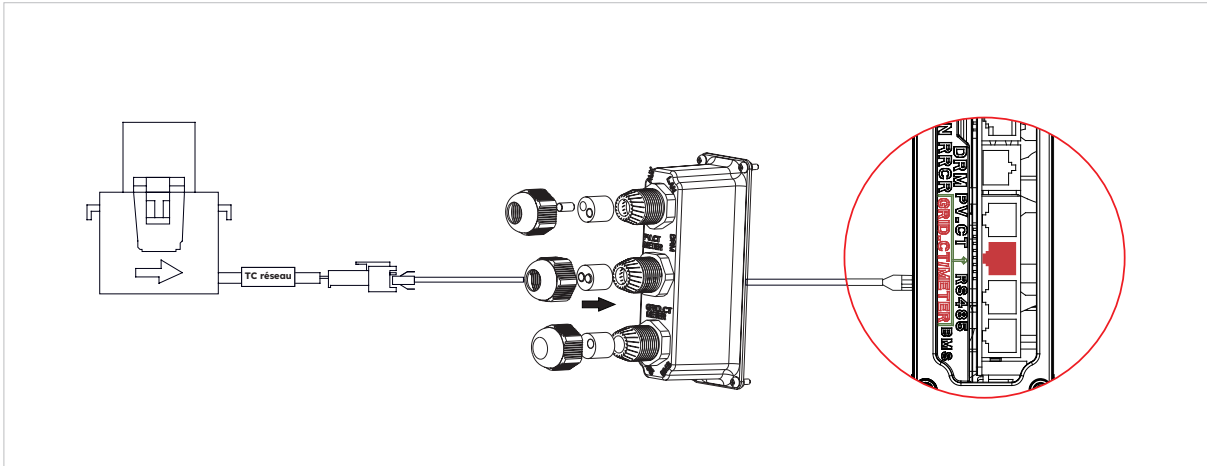
2. Localisez le transformateur réseau (Grid-CT) et le transformateur PV (PV-CT) inclus.



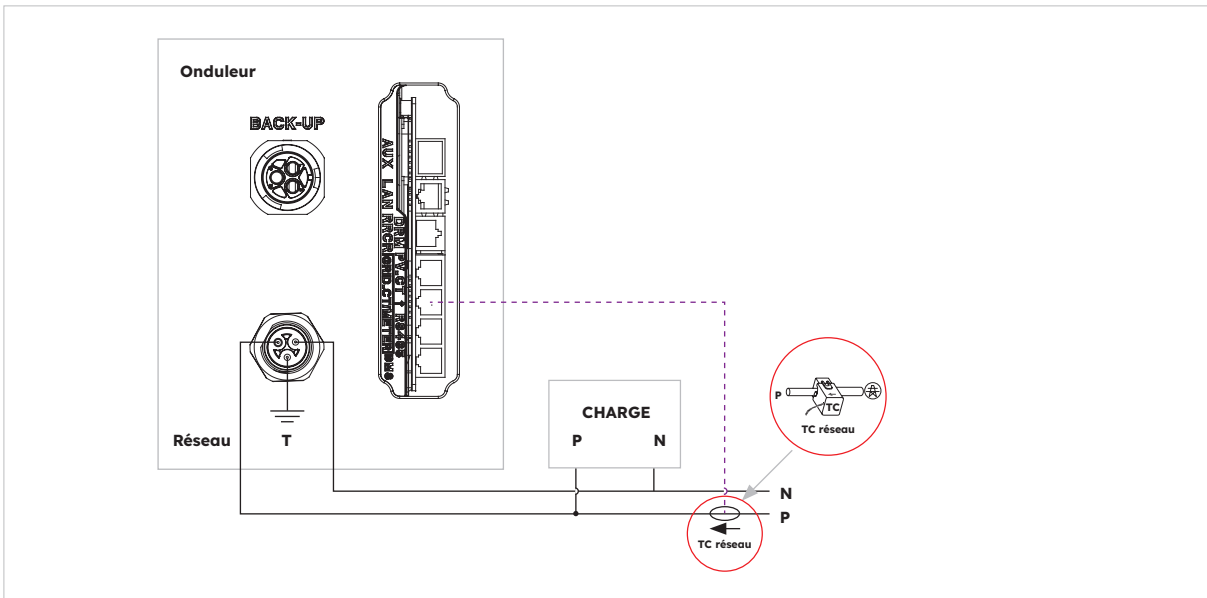
3. Faites passer le câble du transformateur par le presse-étoupe du capot de connexion COM, ne serrez pas les écrous pivotants des presse-étoupes.
4. Insérez les fiches RJ45 dans les prises RJ45 correspondantes.
5. Fixez le clip magnétique du transformateur réseau au câble sous tension de l'installation domestique. La flèche sur le clip magnétique du transformateur réseau doit pointer vers le port réseau de l'onduleur.
6. Pour les systèmes de stockage AC hybrides ou couplés, fixez le clip magnétique du transformateur PV au câble sous tension de l'onduleur PV installé. La flèche sur l'enclenchement magnétique du transformateur PV doit être orientée vers le réseau électrique.
7. Raccordez les câbles du transformateur au transformateur réseau et au transformateur PV respectivement.



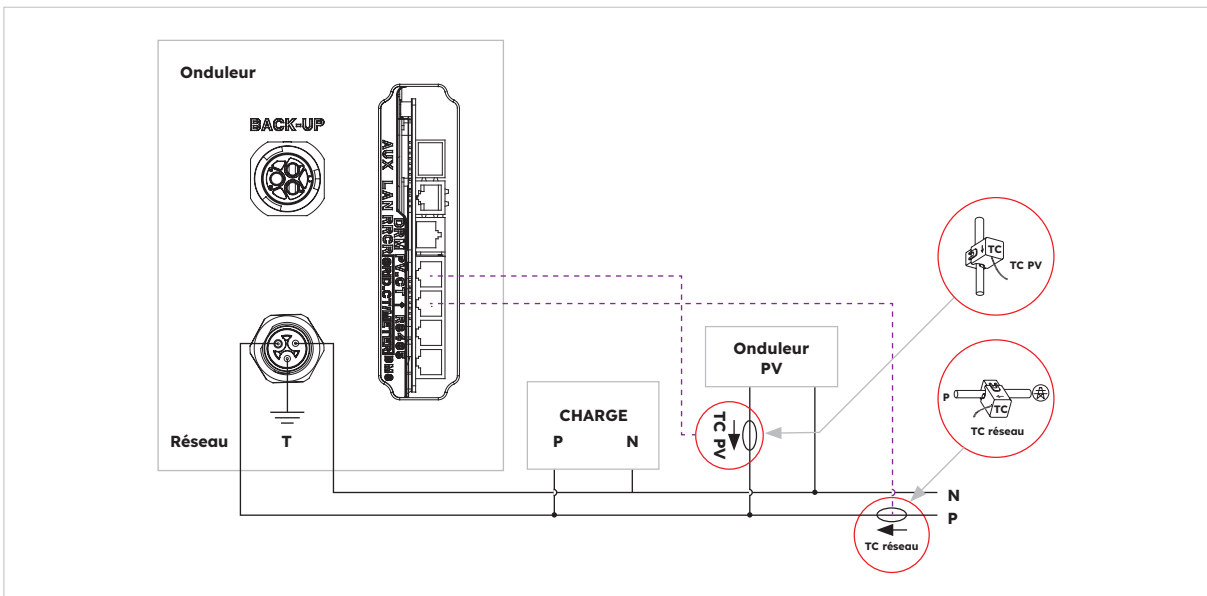
Le câble du transformateur marqué « Grid CT » doit être connecté au transformateur réseau, et le câble marqué « PV CT » doit être connecté au transformateur PV.



Placement des transformateurs dans un système de stockage à couplage DC



Placement des transformateurs dans un système de stockage à couplage AC ou hybride



## 6.3.6. Connexion du compteur

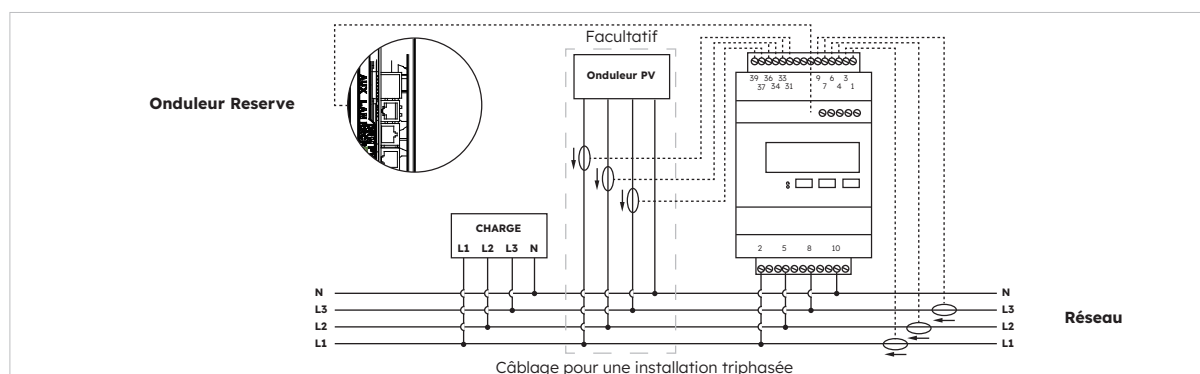
Le système prend en charge un compteur SunPower Reserve externe. Il peut être installé sur une alimentation réseau 220-240 V ou 120 V à 4 fils et 1, 2 ou 3 phases.

Il est recommandé d'installer un compteur SunPower Reserve lorsque le point de mesure du réseau est situé à plus de 20 m du SunPower Reserve. Un compteur SunPower Reserve peut être placé jusqu'à 80 m du SunPower Reserve. Il est connecté via un câble RS485.

Le compteur SunPower Reserve est fourni avec six transformateurs de courant (TC) 100 A. Trois permettent de surveiller le réseau, trois permettent de surveiller un onduleur photovoltaïque. Le compteur dispose d'une programmation spécifiquement conçue pour communiquer avec le SunPower Reserve.

Il n'est pas toujours nécessaire d'installer les six transformateurs. Par exemple, dans une installation comportant une alimentation triphasée et un onduleur photovoltaïque monophasé, seuls quatre transformateurs de courant sont nécessaires : trois pour surveiller le réseau, le dernier pour surveiller l'onduleur. Reportez-vous au schéma de câblage pour en savoir plus.

### Connexion du compteur triphasé (avec six TC) et direction des TC



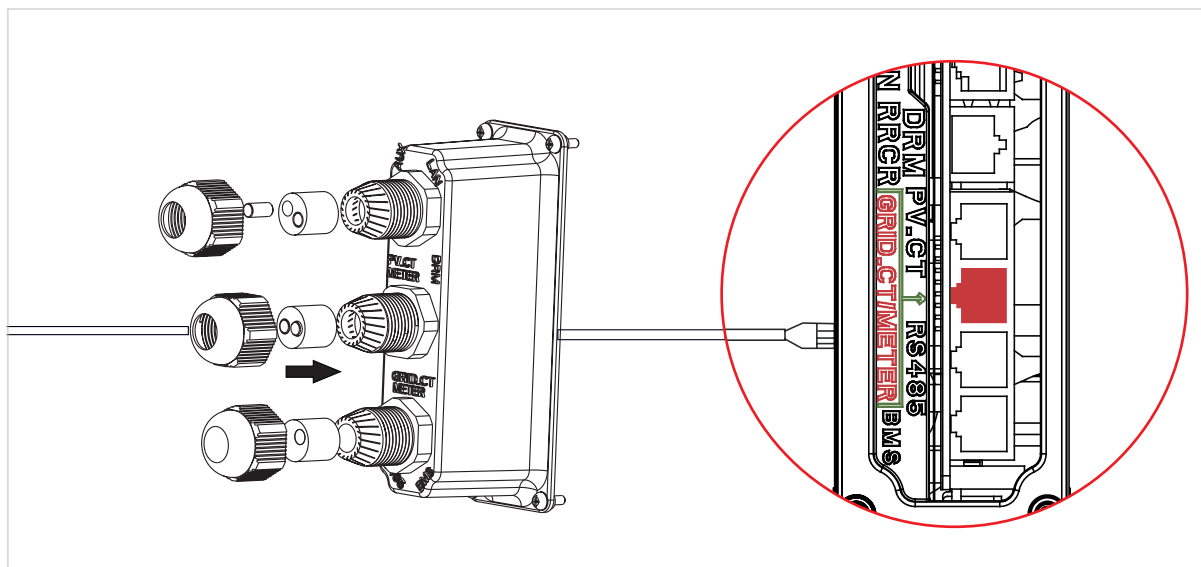
### Identification du câblage des transformateurs de courant

Le compteur est fourni avec 6 transformateurs de courant identifiés. Reportez-vous au tableau ci-dessous pour les brancher aux bornes appropriées du compteur.

	TC RÉSEAU			TC PV			Réseau	
Phase	Identifi- cation	Couleur du fil	Borne du compteur	Identifi- cation	Couleur du fil	Borne du compteur	Identifi- cation	Borne du compteur
L1	IA*	Blanc	1	IA*	Blanc	31	L1	2
	IA	Bleu	3	IA	Bleu	33	L2	5
L2	IB*	Blanc	4	IB*	Blanc	34	L3	8
	IB	Bleu	6	IB	Bleu	36	N	10
L3	IC*	Blanc	7	IC*	Blanc	37		
	IC	Bleu	9	IC	Bleu	39		



## Connexion à l'onduleur



## Configuration du compteur dans l'application SunPower One pour la mise en service

Pendant le processus de mise en service, l'option de compteur sélectionnée doit être Meter (Compteur) et non CT (Transformateur de courant), qui est la valeur par défaut.

## Dépannage

<p>Les charges ne sont pas mesurées correctement</p>	<p>Mettez l'installation photovoltaïque hors tension. Débranchez les transformateurs de courant réseau L2 et L3. Utilisez une pince ampèremétrique pour vous assurer que les mesures sont identiques aux données en temps réel du portail Web. Si ce n'est pas le cas, assurez-vous que les bornes d'alimentation du compteur (2, 5, 8, 10) sont câblées correctement. La borne L1 doit être câblée sur la broche 2 du compteur et le neutre connecté à la broche 10. Vérifiez que le transformateur de courant n'est pas branché à l'envers. Répétez l'opération pour chaque phase.</p>
<p>Les transformateurs ne sont pas utilisés après l'installation</p>	<p>Les transformateurs ne sont nécessaires que lorsqu'une mesure doit être faite. Par exemple, si un onduleur monophasé est installé uniquement sur la phase L2, seul le transformateur L2 est nécessaire. Les transformateurs L1 et L3 ne le sont pas.</p>
<p>Valeurs faibles sur les bornes L2 et L3</p>	<p>Vérifiez que toutes les tensions de la phase d'alimentation sont connectées au compteur (bornes 5 et 8 du compteur connectées à L2 et L3 sur un site triphasé).</p>

## 6.4 Connexion PV

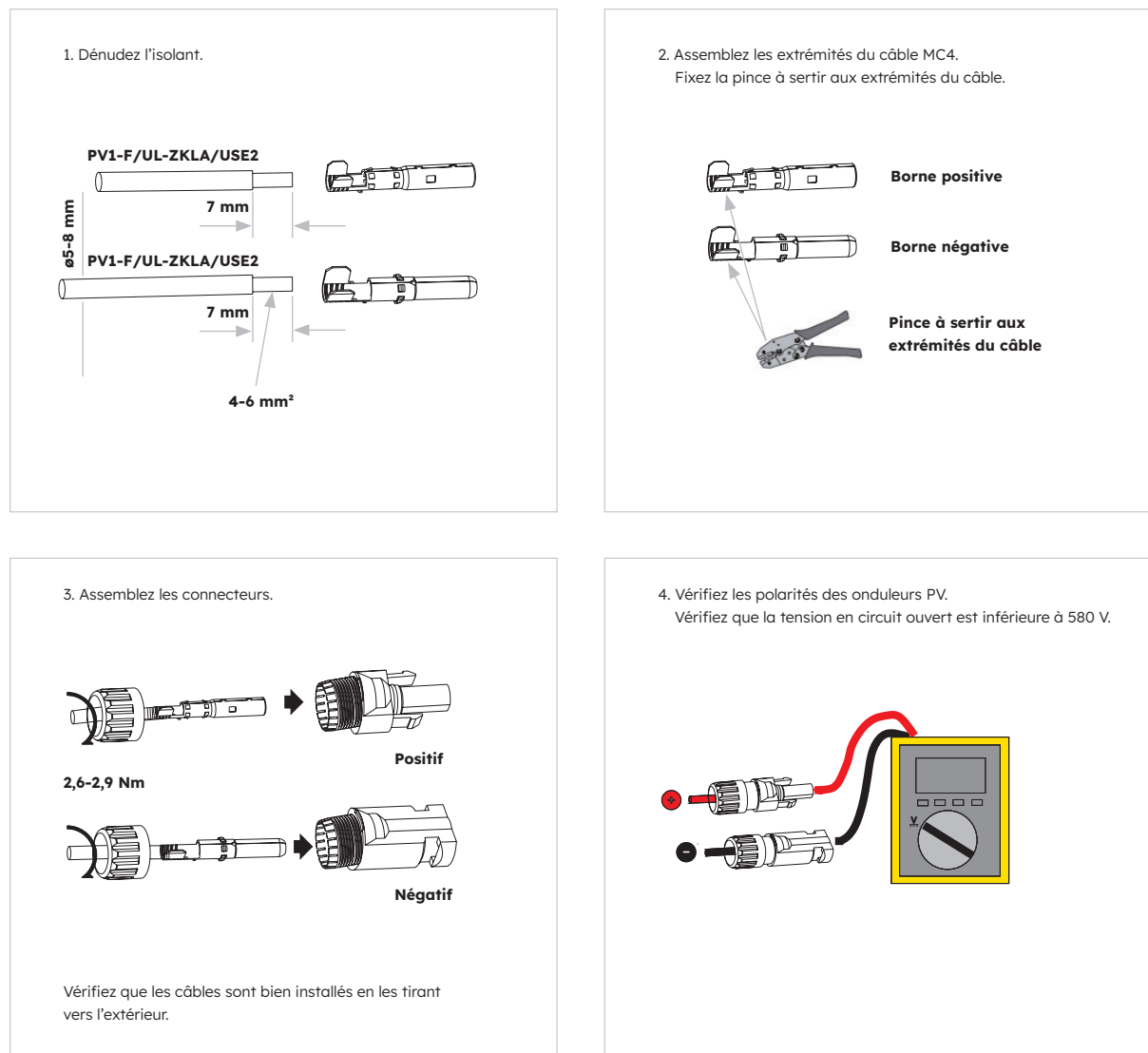
Veillez vérifier les points suivants avant de connecter les chaînes de panneaux à l'onduleur :

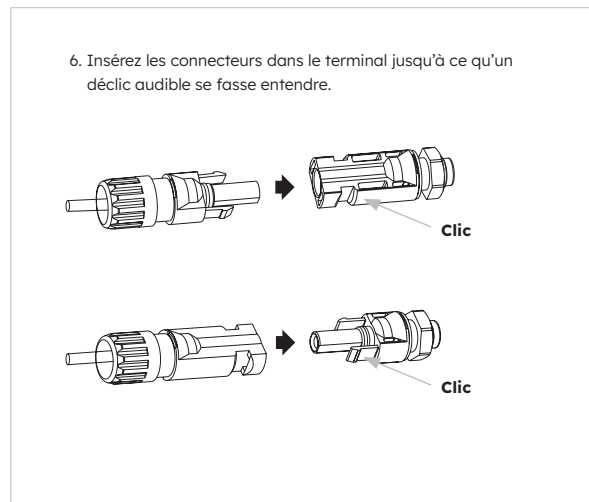
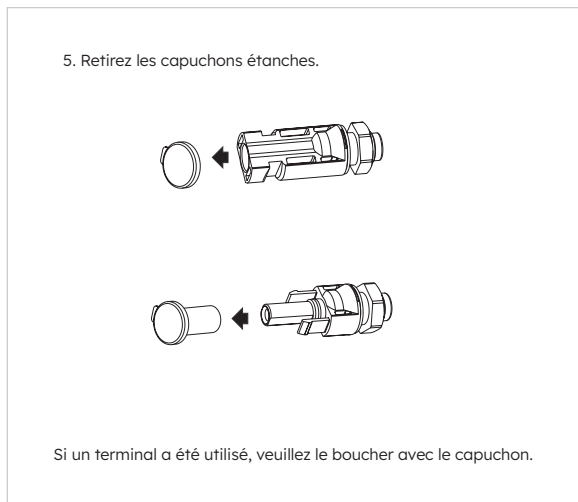
- Assurez-vous que la tension ouverte des chaînes de panneaux PV ne dépasse pas la tension maximale. Tension d'entrée DC (580 VDC). Le non-respect de cette condition entraîne l'annulation de la garantie.
- Assurez-vous que la polarité des connecteurs PV est correcte.
- Assurez-vous que l'interrupteur PV, les disjoncteurs de la batterie, et l'alimentation AC de secours et du réseau sont coupés.
- Assurez-vous que la résistance de mise à la terre des panneaux est supérieure à 200 k $\Omega$ .

L'onduleur est équipé de connecteurs PV Staubli MC4.

Veillez suivre l'illustration ci-dessous pour assembler les connecteurs PV.

Exigences relatives à la section transversale des conducteurs PV : 4-6 mm<sup>2</sup>



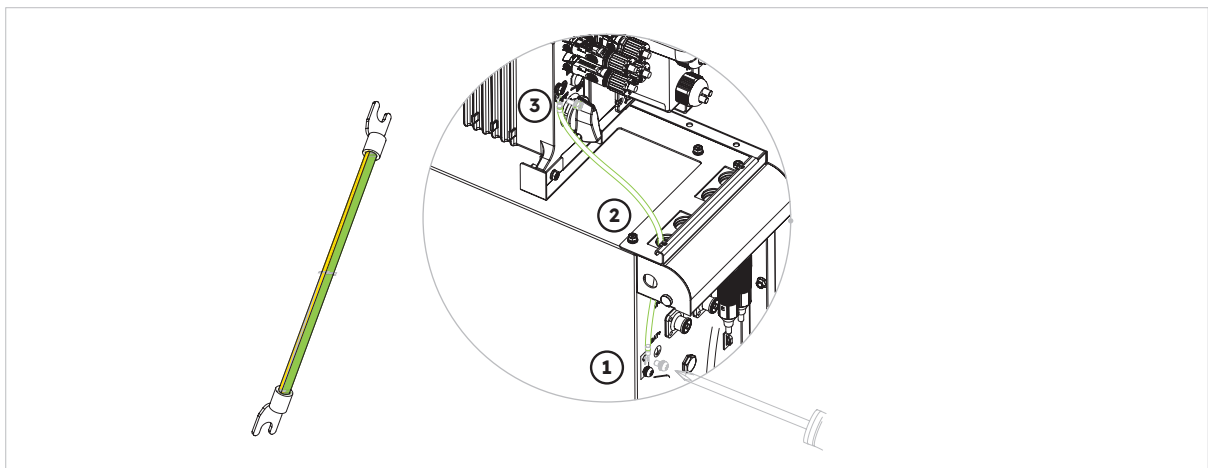


## 6.5. Connexion électrique entre l'onduleur et les blocs-batteries

### 6.5.1. Connexion électrique entre l'onduleur et la première batterie

#### Instructions de raccordement électrique :

1. Retirez le câble de mise à la terre de l'emballage de l'onduleur.
2. Raccordez le câble de mise à la terre à l'onduleur et aux blocs-batteries.

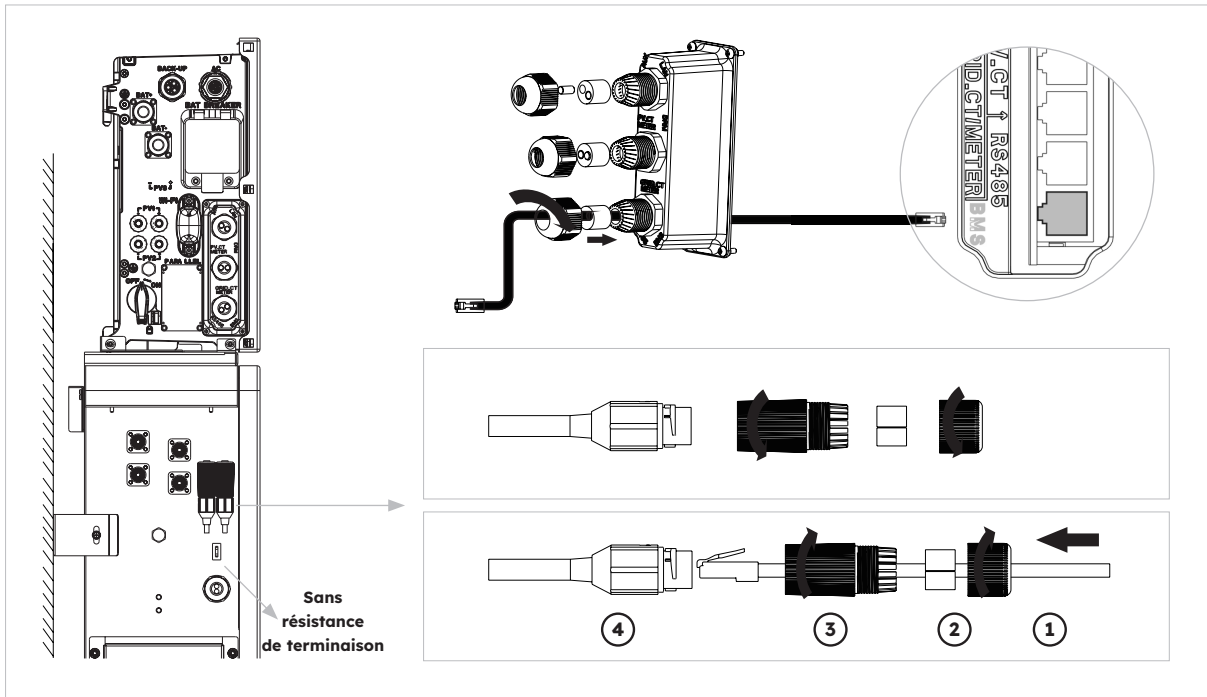


### 6.5.2. Connexion du câble de communication

#### Instructions de raccordement :

1. Retirez le câble de communication de la batterie de l'emballage de l'onduleur.
2. Faites passer le câble de communication de la batterie par le presse-étoupe du capot de connexion COM de l'onduleur ; ne serrez pas les écrous pivotants des presse-étoupes, insérez la fiche RJ45 dans le port de communication BMS de l'onduleur. Insérez l'autre fiche RJ45 dans les prises RJ45 correspondantes fournies avec la batterie.

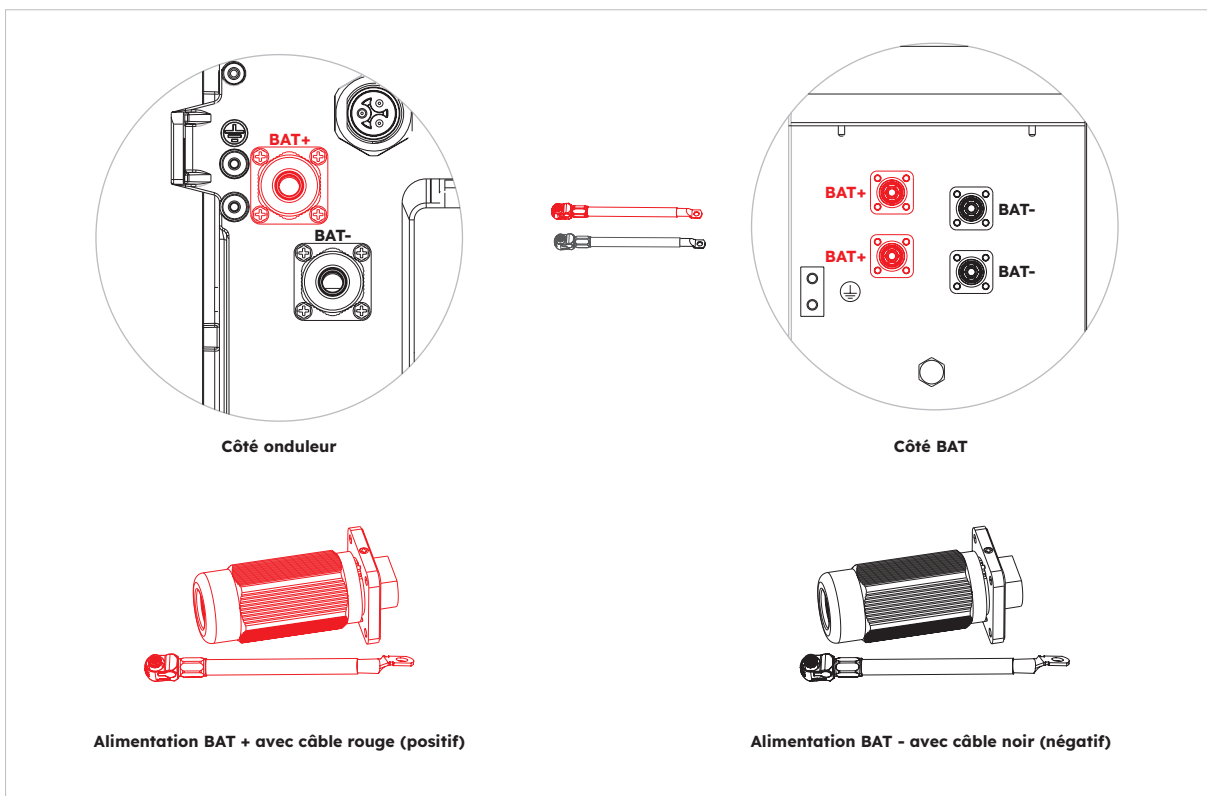
Remarque : L'anneau magnétique du câble de communication de la batterie doit être proche du côté de l'onduleur.



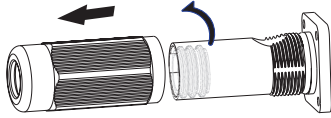
### 6.5.3. Connexion du câble d'alimentation

#### Instructions de raccordement :

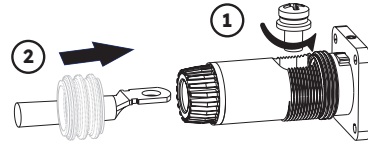
1. Retirez les câbles d'alimentation de la batterie de l'emballage de l'onduleur.
  2. Retirez les capuchons de protection des connecteurs d'alimentation de la batterie.
  3. Raccordez les câbles d'alimentation de la batterie à l'onduleur et aux blocs-batteries.
- Veuillez faire attention à la polarité des connecteurs : le rouge correspond au connecteur positif de la batterie.



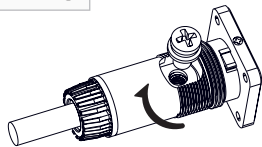
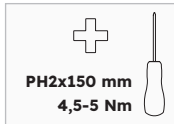
1.



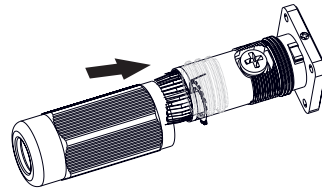
2.



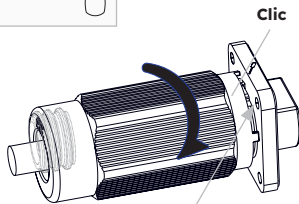
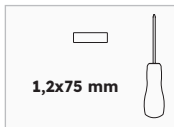
3.



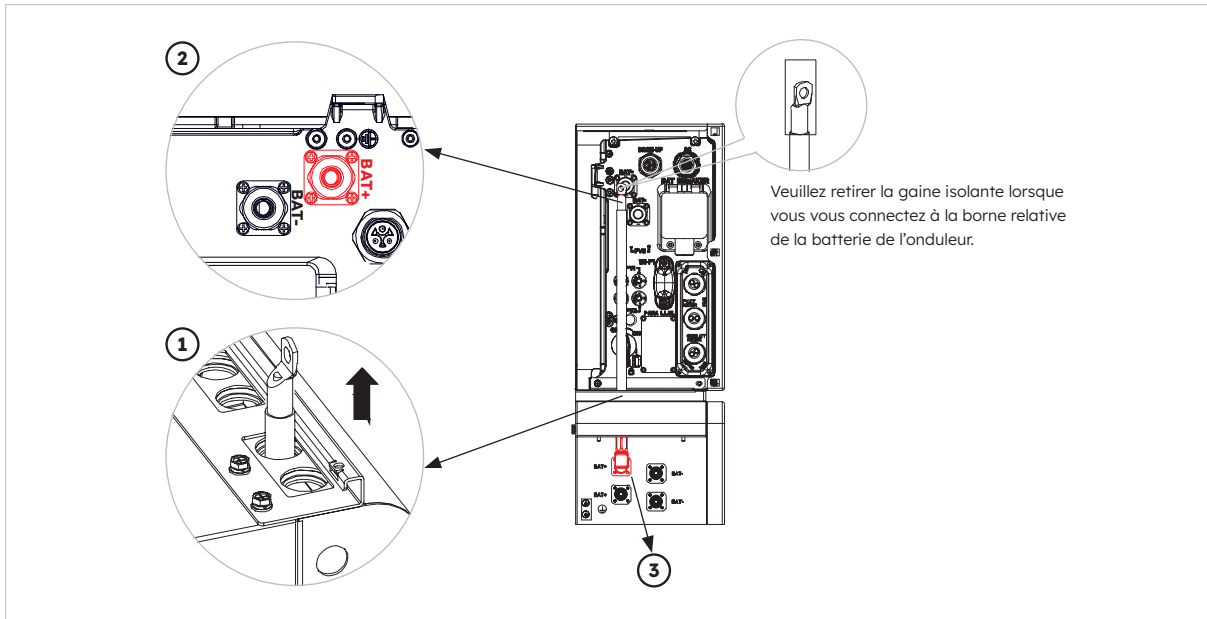
4.



5.



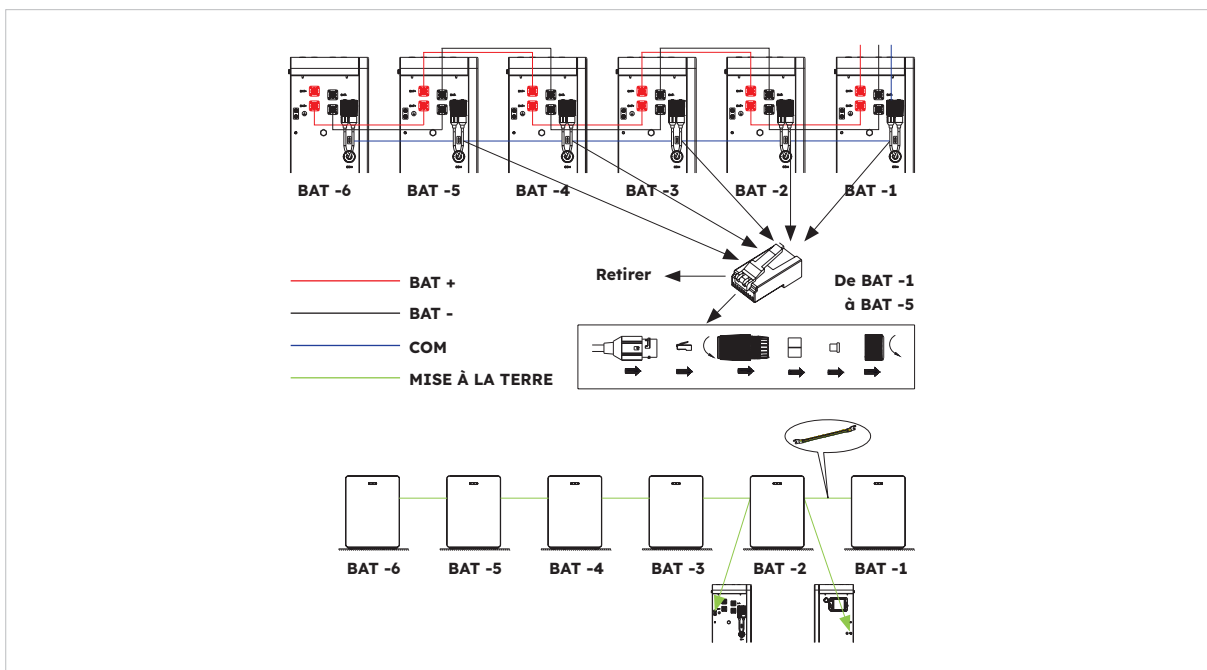
Appuyez sur la boucle à l'aide d'un tournevis à tête plate lorsque vous dévissez l'écrou pivotant



### 6.5.4. Connexion électrique pour les batteries supplémentaires

Connexion électrique pour les batteries supplémentaires (jusqu'à 6) :

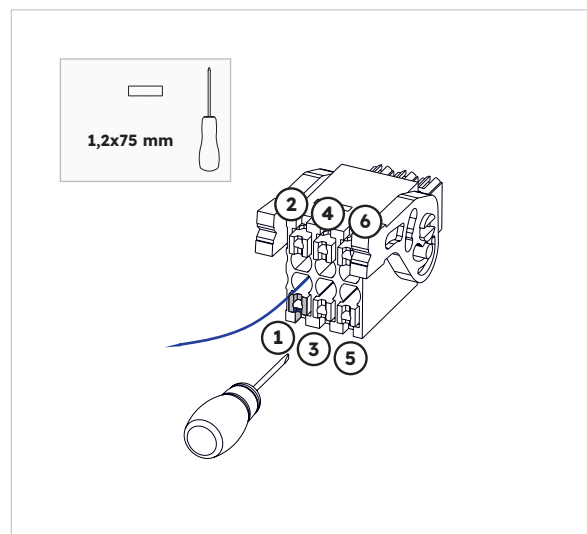
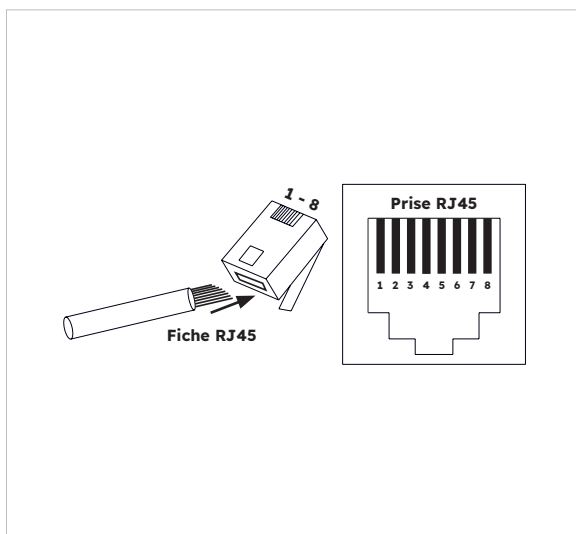
1. Retirez les câbles d'alimentation et le câble de communication de la batterie supplémentaire de l'emballage de la batterie.
2. Retirez les capuchons de protection des connecteurs d'alimentation de la batterie. Connectez les câbles d'alimentation aux deux batteries.
3. Veuillez faire attention à la polarité des connecteurs : le rouge correspond au connecteur positif de la batterie.
4. Insérez les fiches RJ45 dans les prises RJ45 correspondantes fournies avec les batteries.
5. Ne conservez que la résistance de terminaison de la dernière batterie, retirez l'autre résistance de terminaison.
6. Veuillez effectuer la mise à la terre entre deux batteries en vous référant à la section 6.2 correspondante.



## 6.5.5. Autre connexion de communication de l'onduleur

Pour toute autre connexion de communication (AUX, LAN, DRM, RS485), veuillez suivre les étapes ci-dessous :

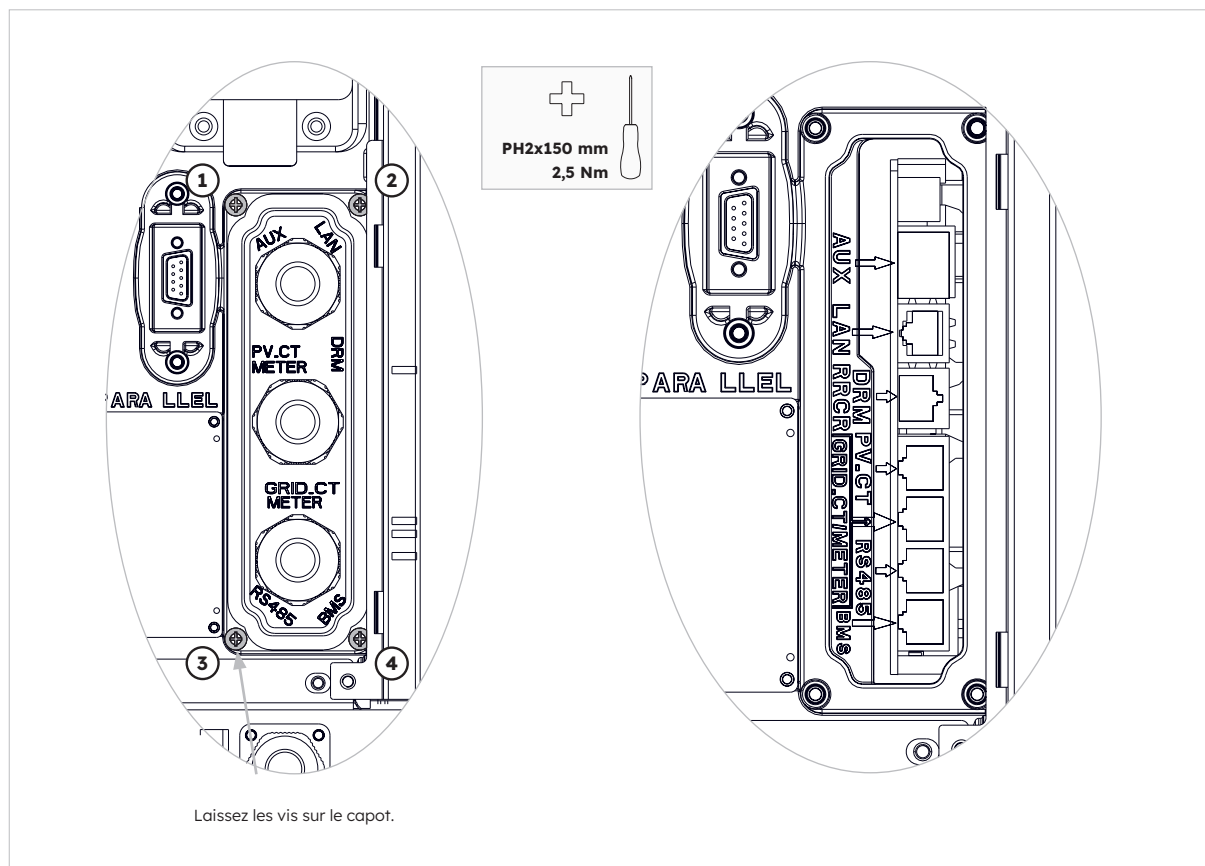
1. Desserrez les presse-étoupes du capot de connexion COM, puis dévissez les 4 vis du capot de connexion COM.
2. Faites passer les câbles de communication par les presse-étoupes du capot de connexion COM, ne serrez pas les écrous pivotants des presse-étoupes. Insérez les fiches RJ45 dans les prises RJ45 correspondantes.
  - a. Si la prise en charge DRM est spécifiée, le système ne peut être utilisé qu'avec un Demand Response Enabling Device (DRED). Cela garantit que le système met toujours en œuvre les commandes de l'opérateur du réseau pour la limitation de la puissance active. Le système et le Demand Response Enabling Device (DRED) doivent être connectés au même réseau.  
Seul le DRM0 est disponible pour ce produit.
  - b. Ôtez le bornier à 6 broches pour la connexion AUX. Pour raccorder les câbles, insérez un tournevis (largeur de la lame : 1,2 mm) dans le côté de la position de connexion relative. Pour la définition de la position AUX, veuillez consulter la documentation relative au câblage AUX.



3. Placez le capot de connexion COM contre le boîtier de l'onduleur et serrez les 4 vis, puis fixez l'écrou pivotant des presse-étoupes.

Définition des broches des ports de communication :

Port	Numéros des broches							
AUX	1	2	3	4	5	6	7	8
	DO1_NO	DO1_COM	DO1_NC	DI_negative	DI_positive	Terre		
DRM RRCR	1	2	3	4	5	6	7	8
	DRED 1/5	DRED 2/6	DRED 3/7	DRED 4/8	REF GEN/0	COM CHARGE/0	/	/
PV_CT	1	2	3	4	5	6	7	8
	/	/	RS485_A7	/	/	RS485_B7		/
COMPTEUR TC RÉSEAU	1	2	3	4	5	6	7	8
	/	/	RS485_A7	/	/	RS485_B7		/
RS485	1	2	3	4	5	6	7	8
	/	/	/	RS485_B5	RS485_A5	/	/	/
BMS	1	2	3	4	5	6	7	8
	/	RS485_A4	/	CAN1_H	CAN1_L	/	RS485_B4	/



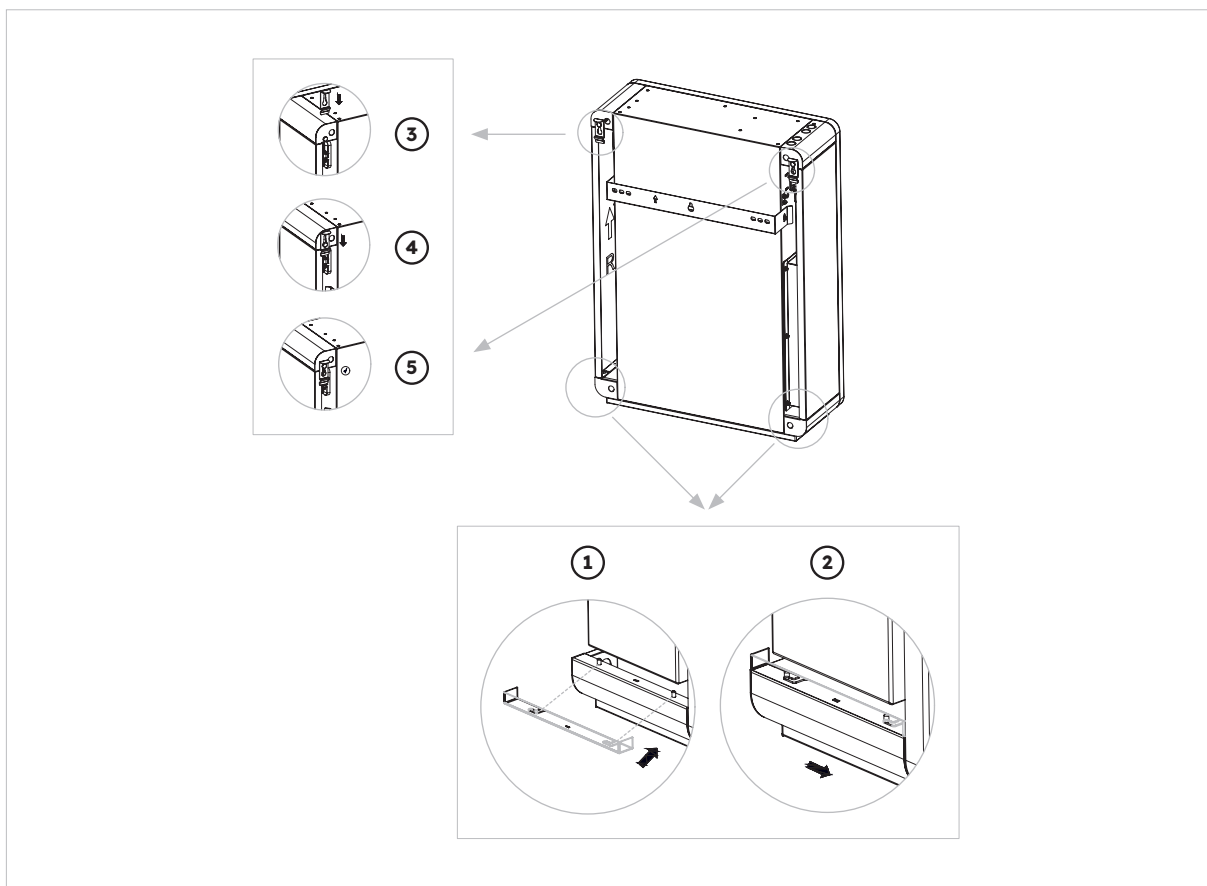


## 6.6. Montage de la batterie et de la façade de l'onduleur

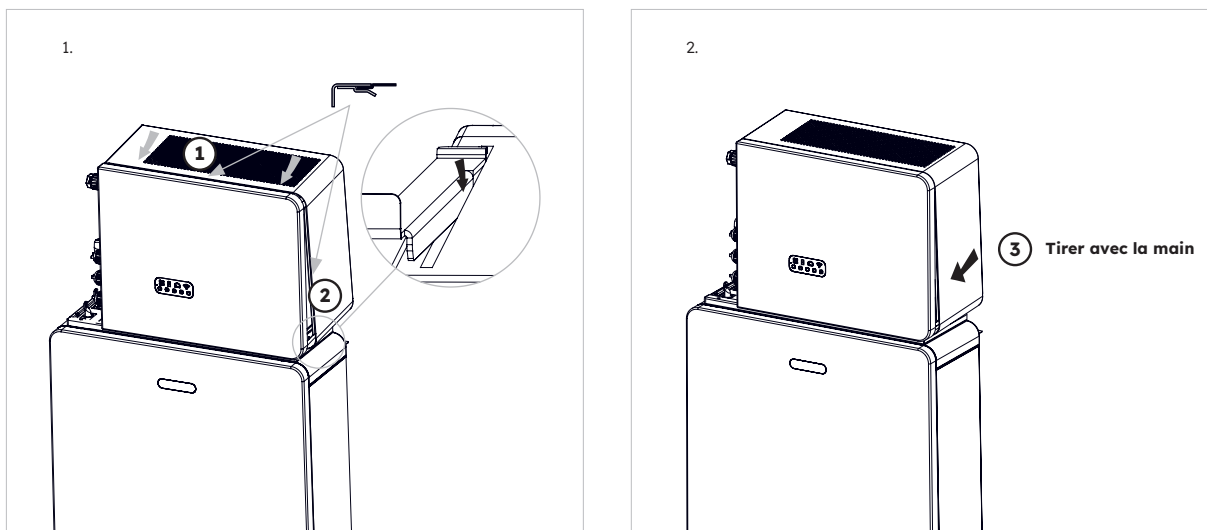
Après avoir terminé le raccordement électrique du système de stockage d'énergie, effectuez les opérations ci-après.

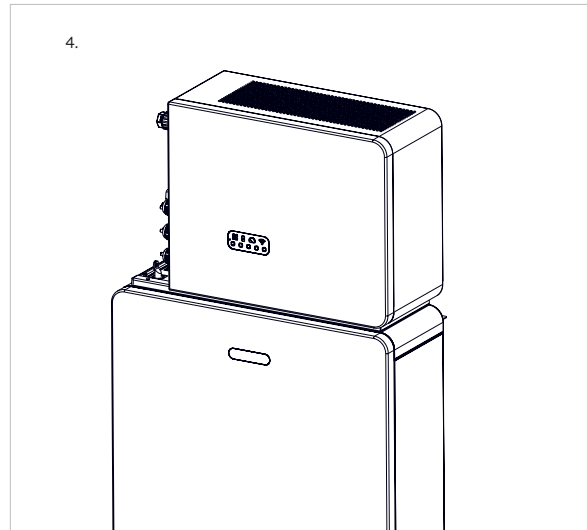
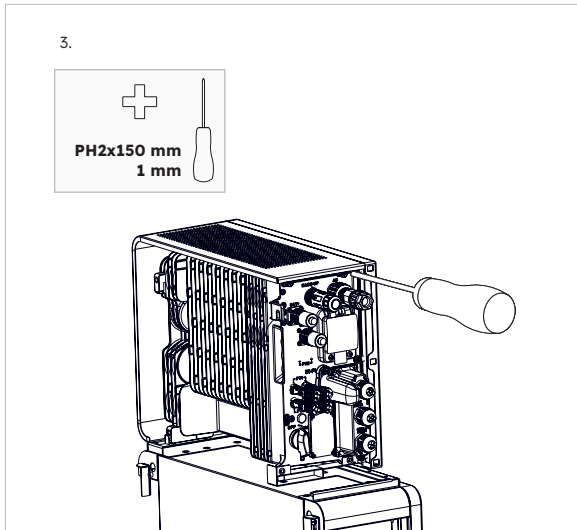
### Instructions :

#### 1. Montage des plaques latérales de la batterie



#### 2. Installation du capot supérieur de l'onduleur

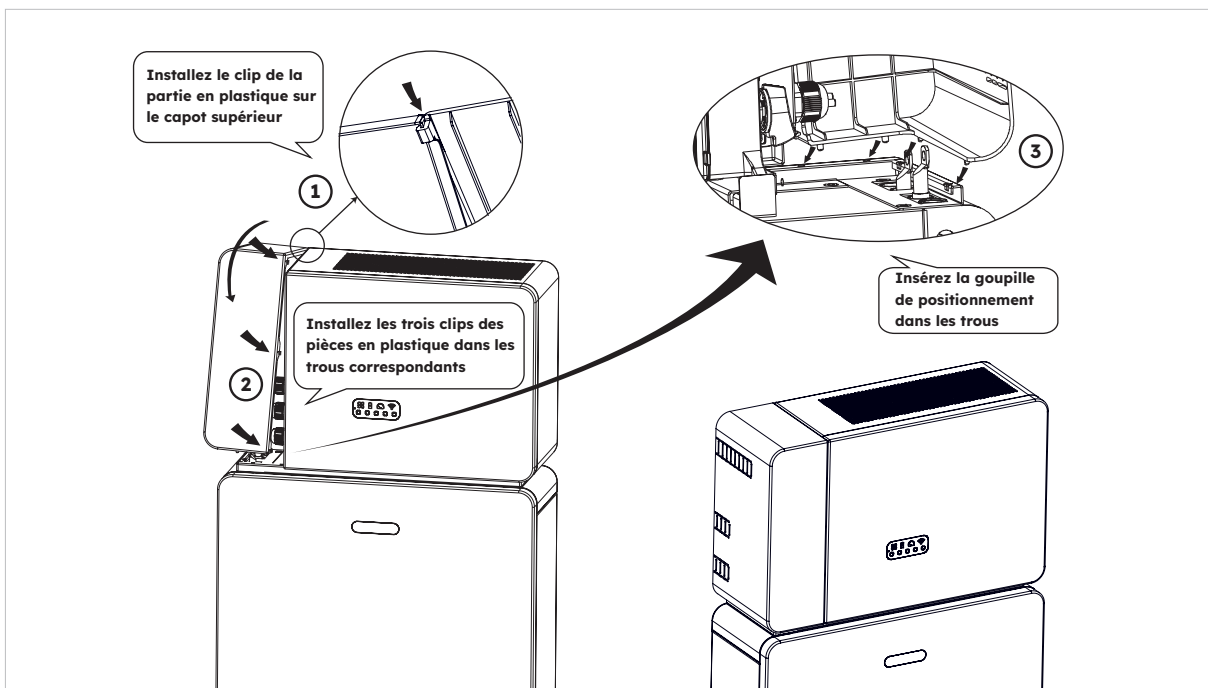




 **CONSEIL**

Le numéro de série et le code de contrôle de l'onduleur se trouvent sur le côté droit de l'onduleur. Assurez-vous de les avoir notés avant d'installer ce capot.

### 3. Installation du cache-câble gauche de l'onduleur

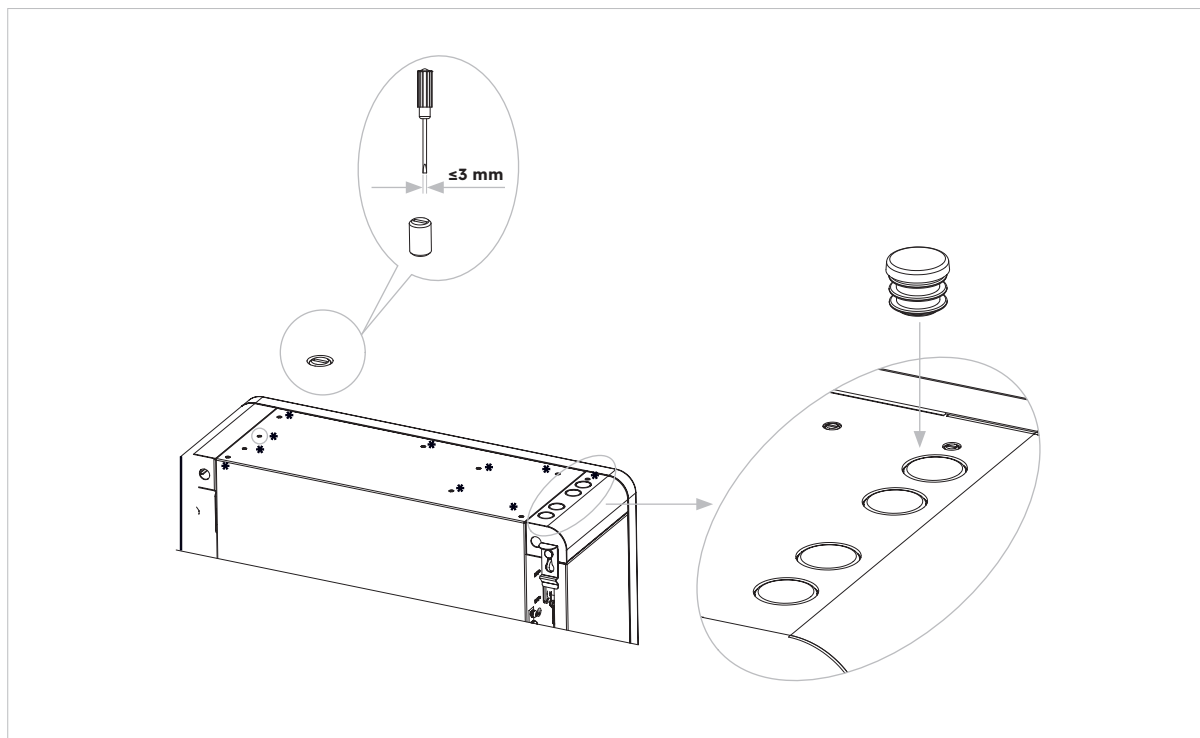


 **CONSEIL**

Assurez-vous que tous les câbles sont bien fixés et que le système fonctionne correctement, puis installez le capot supérieur sur le côté gauche de l'onduleur.

## 6.7. Montage des vis d'obturation

Si plusieurs batteries sont installées, vous pouvez effectuer les opérations suivantes pour améliorer l'aspect du dessus de la batterie.



## 7.0 Procédure de démarrage et d'arrêt

### 7.1. Procédure de démarrage

1. Allumez le DISJONCTEUR DE LA BATTERIE sur le côté droit de la batterie. Répétez l'opération pour les autres batteries dans l'ordre.
2. Allumez l'ISOLATEUR DU SYSTÈME DE BATTERIES qui se trouve sur le côté gauche de l'onduleur, sous le capot du boîtier.
3. Appuyez sur le BOUTON DE DÉMARRAGE DE LA BATTERIE pendant 1 seconde sur la BATTERIE 1. Il est situé à côté du (des) disjoncteur(s) de la batterie. Répétez l'opération pour les autres batteries dans l'ordre, dans un délai de 5 secondes.
4. Mettez l'alimentation du réseau AC de l'onduleur sous tension.
5. Mettez sous tension l'alimentation de secours AC de l'onduleur si elle est installée.
6. Allumez l'ISOLATEUR PV sur le côté gauche de l'onduleur si le PV est connecté directement à l'onduleur.

### 7.2. Procédure d'arrêt



Après la mise hors tension du système de stockage d'énergie, l'électricité et la chaleur résiduelles peuvent encore provoquer des chocs électriques et des brûlures corporelles. Par conséquent, mettez des gants de protection et attendez 5 minutes après la mise hors tension.

#### Procédure

1. Placez le commutateur sur MAINS (secteur) pour alimenter les charges à partir du RÉSEAU, s'il est installé.
2. Coupez l'ALIMENTATION DE SECOURS AC de l'onduleur si elle est installée.
3. Coupez l'ALIMENTATION DU RÉSEAU AC de l'onduleur.
4. Éteignez l'ISOLATEUR PV sur le côté gauche de l'onduleur si le PV est connecté directement à l'onduleur.
5. Éteignez l'ISOLATEUR DU SYSTÈME DE BATTERIES qui se trouve sur le côté gauche de l'onduleur.
6. Coupez le DISJONCTEUR DE BATTERIE pour chaque batterie.
7. Maintenez le bouton de démarrage de la batterie enfoncé pendant 6 secondes pour éteindre chaque batterie. Il est situé à côté du DISJONCTEUR DE LA BATTERIE.

### 7.3. Contrôles avant le démarrage

N°	Élément à contrôler	Critères d'acceptation
1	Environnement de montage	L'espace de montage est approprié et l'environnement de montage est propre et ordonné, sans corps étrangers.
2	Montage du bloc-batterie et de l'onduleur	Le bloc-batterie et l'onduleur sont montés correctement, en toute sécurité et de manière fiable.
3	Montage Wi-Fi	Le module Wi-Fi est monté correctement, en toute sécurité et de manière fiable.
4	Câblage	Les câbles sont acheminés correctement selon les exigences du client.
5	Collier de serrage	Les colliers de serrage sont fixés de manière uniforme et ne dépassent pas.
6	Mise à la terre	Le câble de mise à la terre est connecté de manière correcte, sûre et fiable.
7	État des interrupteurs et des disjoncteurs	L'interrupteur PV (s'il y en a un), les disjoncteurs des batteries et tous les disjoncteurs connectés au produit sont COUPÉS.
8	Connexion des câbles	Les câbles AC, les câbles PV (le cas échéant), les câbles d'alimentation de la batterie et les câbles de communication sont connectés correctement, en toute sécurité et de manière fiable.
9	Bornes d'alimentation inutilisées	Les ports d'alimentation et de communication non utilisés sont bloqués par des bouchons étanches.

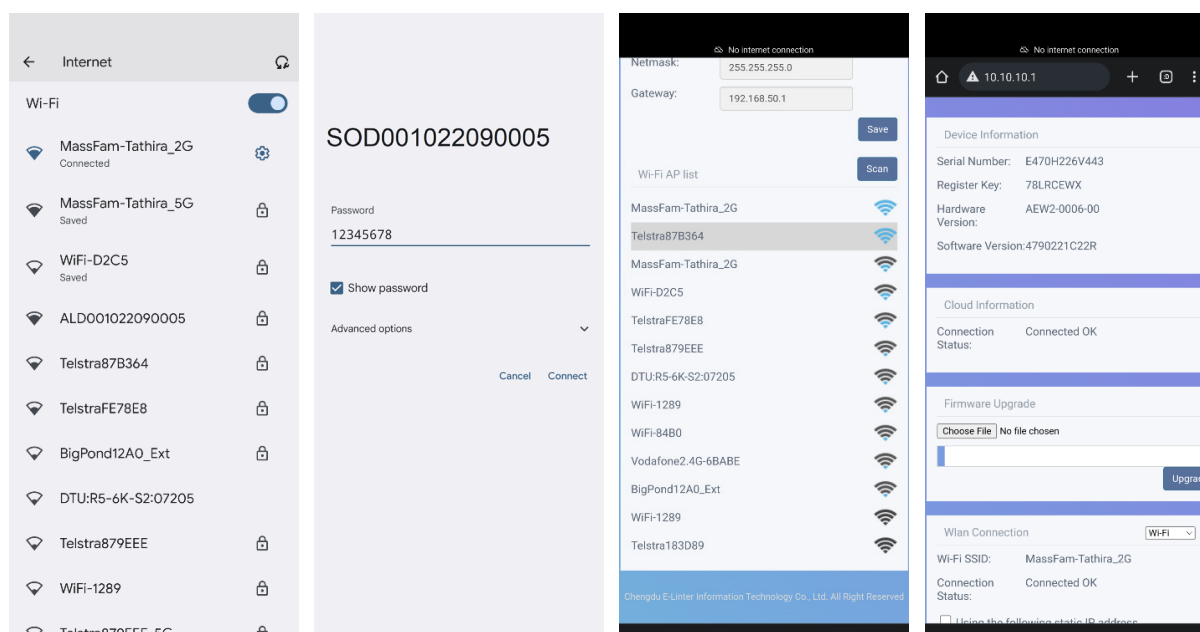
## 8.0 Mise en place d'un nouveau système (mise en service)

### 8.1. Connexion de SunPower Reserve à Internet

Pour lancer le processus de mise en service du système SunPower Reserve récemment installé, il est essentiel d'établir une connexion de données fonctionnelle qui est également requise pour la surveillance continue. SunPower Reserve propose deux modes de connexion des données : Ethernet et Wi-Fi.

Si vous optez pour une connexion Ethernet, aucune configuration supplémentaire n'est nécessaire. Toutefois, si vous préférez une connexion Wi-Fi, veuillez suivre les étapes suivantes pour connecter le système au réseau Wi-Fi du propriétaire :

1. Sur votre appareil mobile, accédez aux paramètres Wi-Fi et localisez le réseau Wi-Fi associé à l'unité SunPower Reserve. Ce réseau est identifiable par le numéro de série de l'appareil.
2. Connectez-vous au réseau de l'unité SunPower Reserve en utilisant le mot de passe par défaut : 12345678.
3. Une fois connecté, lancez votre navigateur mobile et entrez l'adresse IP de SunPower Reserve : 10.10.10.1. Cette action affichera une interface simple permettant la connexion de l'unité SunPower Reserve au réseau Wi-Fi du site.
4. Appuyez sur l'option « scan » en bas de l'écran pour rechercher les réseaux disponibles.
5. Dans la liste des réseaux affichés, sélectionnez le réseau auquel l'unité SunPower Reserve se connectera et saisissez le mot de passe Wi-Fi correspondant.
6. Une fois la connexion établie, l'interface affiche un message de confirmation indiquant « Connected OK ».



Si vous suivez ces instructions, SunPower Reserve sera Une fois connecté et configuré pour fonctionner correctement.

Si, pour une raison quelconque, SunPower Reserve a perdu sa connexion à Internet, par exemple si le client change le mot de passe Wi-Fi, les étapes ci-dessus permettront également aux clients de réinitialiser la connexion Internet de SunPower Reserve.

## 8.2 Télécharger et installer l'application SunPower One

1. Les utilisateurs d'appareils Android peuvent télécharger l'application SunPower One sur Google Play.
2. Les utilisateurs d'appareils iOS peuvent télécharger l'application SunPower One sur l'Appstore.



Les outils de mise en service et les informations de connexion ne sont accessibles qu'aux installateurs qui ont suivi les modules de formation nécessaires.

## 8.3 Mise en service de SunPower Reserve

Avant de commencer, assurez-vous que le système SunPower Reserve est correctement installé et qu'il dispose d'une connexion de données fonctionnelle.

Vous trouverez ci-dessous un résumé des étapes nécessaires à la mise en service réussie du SunPower Reserve. Veuillez vous référer aux instructions suivantes :

1. Lancez l'application SunPower One et connectez-vous à l'aide de votre nom d'utilisateur (e-mail) et de votre mot de passe SunPower One.
2. Sur l'écran d'accueil, appuyez sur « start » pour lancer le processus de mise en service d'un nouveau système.
3. Dans l'écran suivant, saisissez l'adresse e-mail du client pour lequel vous installez le système. Cette adresse sera utilisée pour préconfigurer le compte client nécessaire pour se connecter à l'application SunPower One. Il est essentiel de vérifier l'exactitude de l'adresse e-mail avec le client et de s'assurer qu'il peut y accéder sur son appareil mobile.
4. Sélectionnez la configuration appropriée du système comme indiqué dans la section 3.3, et suivez les étapes fournies par l'application pour terminer l'activation et la configuration de votre installation.
5. Une fois l'installation de SunPower Reserve terminée, un e-mail de confirmation sera envoyé au client. Cet e-mail contiendra un lien vers l'application SunPower One, permettant au client d'activer son compte SunPower One et de profiter de l'expérience complète de SunPower One.

Veuillez suivre les étapes ci-dessus pour mettre en service efficacement le système SunPower Reserve.



### La norme de sécurité doit être configurée correctement

Si vous sélectionnez une norme de sécurité qui n'est pas valable pour votre pays et votre usage, vous risquez de perturber le système de stockage d'énergie et d'avoir des problèmes avec l'opérateur du réseau. Lors de la sélection de la norme de sécurité, vous devez toujours respecter les normes et directives locales applicables ainsi que les propriétés de l'installation photovoltaïque (par exemple, la taille de l'installation photovoltaïque et le point de connexion au réseau). Si vous n'êtes pas sûr de la norme de sécurité en vigueur dans votre pays ou pour votre usage, contactez l'opérateur de votre réseau pour obtenir des informations sur la norme de sécurité à configurer.



À l'étape 4 du processus de mise en service, les paramètres disponibles varient en fonction de la configuration choisie. Il est important de vérifier que les valeurs correctes sont renseignées à ce stade.

## 8.4 Mettre le système sous tension et vérifier son état

Assurez-vous que l'interrupteur PV, les disjoncteurs des batteries et tous les disjoncteurs connectés au produit sont EN MARCHÉ.

## 8.5 Vérifier l'alimentation de secours AC (si disponible)

Mettez en marche un appareil électrique connecté au port de charge de secours de l'onduleur du système de stockage d'énergie.

Mettez en marche le disjoncteur AC sur le port de secours de l'onduleur de stockage d'énergie. Coupez le disjoncteur AC externe entre le réseau et l'onduleur du système de stockage d'énergie.

Le produit passe immédiatement en mode de secours AC.

Vérifiez si l'appareil électrique situé côté alimentation de secours continue à fonctionner.



Pendant la mise en service, si les indicateurs LED du panneau d'affichage de l'onduleur sont rouges ou si les indicateurs LED du panneau d'affichage de la batterie sont jaunes, veuillez vous référer à la section de dépannage (9.0)

## 8.6 Demander à l'utilisateur final d'installer l'application SunPower One

Veuillez vous assurer que le propriétaire a téléchargé l'application et activé son compte via l'e-mail de bienvenue.



L'enregistrement de la garantie de SunPower Reserve est terminé lorsque le propriétaire a activé son compte client.



## 9.0 Entretien et dépannage

### 9.1 Entretien courant

Pour garantir le bon fonctionnement du système de stockage d'énergie sur le long terme, il est conseillé d'effectuer un entretien de routine comme décrit dans ce chapitre.

Élément à contrôler	Critères d'acceptation	Fréquence de maintenance
Propreté du produit	Le dissipateur thermique à l'arrière de l'onduleur et les capots des événements sont propres et exempts de corps étrangers.	6 mois
Dommages visibles sur le produit	Le produit n'est pas endommagé ou déformé.	6 mois
État de fonctionnement du produit	1. Le produit fonctionne sans bruit anormal. 2. Tous les paramètres du produit sont correctement réglés. Effectuez ce contrôle lorsque le produit est en cours d'utilisation.	6 mois
Connexions électriques	1. Les câbles sont solidement branchés. 2. Les câbles sont intacts et ne sont pas endommagés. 3. Les presse-étoupes inutilisés sont bouchés.	6 mois



Débranchez le système de toutes les sources d'alimentation avant de le nettoyer. Nettoyez le boîtier, le capot et l'écran avec un chiffon doux.

Risque de brûlure dû à la chaleur du boîtier et du capot de l'onduleur

Le boîtier et le capot de l'onduleur peuvent chauffer pendant le fonctionnement. Pendant le fonctionnement, ne touchez pas d'autres parties que les capots latéraux. Attendez environ 30 minutes avant de procéder au nettoyage, jusqu'à ce que l'onduleur ait refroidi.

### 9.2 Dépannage

Pour assurer la précision du SOC, il peut être nécessaire de charger complètement la batterie. Cette opération réinitialise le SOC de la batterie.

## 9.2.1. Résolution des erreurs de l'onduleur

N° d'erreur	Description de l'erreur	Solution
4	Inverter_lost	Communication avec l'onduleur perdue <ol style="list-style-type: none"> <li>1. Redémarrez le système et vérifiez si le défaut a été éliminé.</li> <li>2. Contactez le service clientèle pour mettre à jour à distance le programme EMS et DSP de l'onduleur, puis vérifiez si la panne persiste.</li> <li>3. Si le défaut ne peut être éliminé, veuillez contacter le centre de service pour un contrôle plus approfondi.</li> </ol>
100000	Grid_OVP	<ol style="list-style-type: none"> <li>1. Vérifiez que le réseau fonctionne normalement.</li> <li>2. Vérifiez que la connexion du câble de réseau est normale.</li> <li>3. Redémarrez l'onduleur et vérifiez si le défaut est toujours présent.</li> </ol>
100001	Grid_UVP	
100002	Grid_OFP	
100003	Grid_UFP	
100005	BUS_OVP1	Vérifiez si la tension d'entrée de PV1 et PV2 dépasse 580 V. Si le premier n'existe pas, redémarrez l'onduleur pour voir si le défaut persiste. Si le problème persiste, veuillez appeler le centre de service.
100007	Insulation_fault	<ol style="list-style-type: none"> <li>1. Vérifiez que la connexion du câble PV est fiable.</li> <li>2. Vérifiez si le câble PV est endommagé.</li> </ol>
100008	GFCI_fault	<ol style="list-style-type: none"> <li>1. Redémarrez l'onduleur et vérifiez si le défaut est toujours présent.</li> </ol>
100010	GFCI_fault	
100011	Over_Temperature	<ol style="list-style-type: none"> <li>1. Vérifiez si l'environnement autour de l'onduleur entraîne une mauvaise dissipation de la chaleur.</li> <li>2. Vérifiez que l'installation de l'onduleur est conforme aux exigences d'installation.</li> </ol>
100012	PV_Reverse	<ol style="list-style-type: none"> <li>1. Vérifiez si les connexions PV sont inversées.</li> <li>2. Si elles sont correctes, veuillez appeler le centre de service.</li> </ol>
100013	BAT_Reverse	<ol style="list-style-type: none"> <li>1. Vérifiez si les connexions de la batterie sont inversées.</li> <li>2. Si elles sont correctes, veuillez appeler le centre de service.</li> </ol>
100017	MPPT1_OVP	Vérifiez la tension de PV1. Si elle dépasse 585 VDC, réduisez le nombre de modules photovoltaïques.
100021	MPPT2_OVP	Vérifiez la tension de PV2. Si elle dépasse 585 V, réduisez le nombre de modules photovoltaïques
100025	BAT_OVP	Vérifiez si la tension réelle de la batterie dépasse de plus de 20 V la tension de coupure de la charge de la batterie.
100026	BAT_UVP	Vérifiez si la tension réelle de la batterie est inférieure à la tension de coupure de décharge de la batterie.
100027	Battery_lose	Vérifiez que le câblage est normal et que la valeur d'échantillonnage de la tension de la batterie est inférieure à 75 V.

N° d'erreur	Description de l'erreur	Solution
100042	Output_short_circuit	<ol style="list-style-type: none"> <li>Utilisez un multimètre pour tester l'impédance de la sortie hors réseau. Si elle est faible, vérifiez le câblage.</li> <li>Redémarrez l'onduleur pour voir si le défaut persiste. S'il persiste, veuillez appeler le centre de service.</li> </ol>
100043	Output_overload	Vérifiez si la charge dépasse la puissance nominale. Redémarrez l'onduleur pour voir si le défaut persiste. Si le problème persiste, veuillez appeler le centre de service.
100052	Backup_ovp	Redémarrez l'onduleur pour voir si le défaut persiste. Si le problème persiste, veuillez appeler le centre de service.
7	BMS lost	<p>BMS perdu</p> <ol style="list-style-type: none"> <li>Vérifiez que la connexion de communication BMS entre la batterie et l'onduleur est normale.</li> <li>Vérifiez que la batterie est sous tension.</li> <li>Si le défaut ne peut pas être éliminé, veuillez contacter le centre de service pour un contrôle plus approfondi.</li> </ol>
60002	Circuit_Breaker_Open	Essayez de mettre en marche tous les disjoncteurs des batteries. Si cette mesure ne résout pas le problème, veuillez contacter le service clientèle.
60004	Slave_Battery_Communication_Lost	Vérifiez les câbles de communication entre les batteries.
60006	Master_Battery_Communication_Lost	
60008	Multi_Master_error	
5	Grid meter lost	<p>Perte de compteur côté réseau</p> <ol style="list-style-type: none"> <li>Vérifiez si les paramètres de configuration du système sont corrects et si le compteur est utilisé du côté du réseau.</li> <li>Vérifiez que le câble de communication du compteur du réseau est correctement connecté (RS485 : 3A6B).</li> <li>Vérifiez que les paramètres de configuration de la communication du compteur réseau sont corrects (adresse de communication et vitesse de transmission).</li> <li>Si le défaut ne peut être éliminé, veuillez contacter le centre de service pour un contrôle plus approfondi.</li> </ol>
6	PV meter lost	<p>Perte de compteur côté onduleur PV</p> <ol style="list-style-type: none"> <li>Vérifiez que les paramètres de configuration du système sont corrects et que le compteur est utilisé du côté de l'onduleur photovoltaïque.</li> <li>Vérifiez que les paramètres de configuration de la communication du compteur de l'onduleur PV sont corrects (adresse de communication et vitesse de transmission). (RS485 : 3A6B)</li> <li>Vérifiez que les paramètres de configuration de la communication du compteur de l'onduleur PV sont corrects (adresse de communication et vitesse de transmission).</li> <li>Si le problème ne peut être résolu, veuillez contacter le centre de service clientèle pour une vérification plus approfondie.</li> </ol>

## 9.2.2. Description des erreurs de l'onduleur

Les quatre voyants de la rangée supérieure sont système (SYS), batterie (BAT), compteur (METER) et communication (COM).

Les cinq voyants de la rangée inférieure sont divisés en deux fonctions :

SOC de toutes les batteries du système de stockage d'énergie

En cas d'erreur, le code d'erreur correspondant s'affiche. De droite à gauche, les nombres représentés par chaque voyant sont 1, 2, 4, 8, 16.

Indicateur LED	Code d'erreur	Affichage LED	Description
SYS rouge clignote rapidement	4		Perte de l'onduleur
Le voyant rouge SYS est allumé ; le voyant METER clignote rapidement en cas de perte du compteur réseau. Le voyant rouge SYS est allumé ; le voyant METER clignote lentement en cas de perte du compteur PV ; le voyant METER est éteint en cas de perte de tous les compteurs.	5		Compteur du réseau perdu
	6		Compteur PV perdu
Le voyant rouge SYS est allumé, la batterie est éteinte	7		BMS perdu
L'onduleur est défectueux, SYS rouge clignotant rapidement	100000		Grid_OVP
L'onduleur est défectueux, SYS rouge clignotant rapidement	100001		Grid_UVP
	100002		Grid_OFP
	100003		Grid_UFP
L'onduleur est défectueux, SYS rouge clignotant rapidement	100005		BUS_OVP1
	100007		Insulation_fault
	100008		GFCI_fault
	100010		Grid_relay_fault

Indicateur LED	Code d'erreur	Affichage LED	Description
	100011		Over_Temperature
	100012		PV_Reverse
	100013		BAT_Reverse
	100017		MPPT1_OVP
	100021		MPPT2_OVP
L'onduleur est défectueux, SYS rouge clignotant rapidement	100025		BAT_OVP
	100026		BAT_UVP
	100027		Battery_lose
	100042		Output_short_circuit
	100043		IOutput_overload
	100052		Backup_ovp
Le voyant rouge SYS est allumé, le voyant BAT clignote pendant que la batterie est défectueuse.	60002		Circuit_Breaker_OpenCircuit Breaker_Open
	60004		Slave_Battery_Communication_Lost
	60006		Master_Battery_Communication_Lost
Le voyant rouge SYS est allumé, le voyant BAT clignote pendant que la batterie est défectueuse	60008		Multi_Master_error



1. Les quatre voyants de la première rangée sont système (SYS), batterie (BAT), compteur (METER) et communication (COM).
2. Les cinq voyants de la deuxième rangée sont divisés en deux fonctions :
  - Affichage de l'état de charge de la batterie
  - Lorsqu'une erreur se produit, le code d'erreur correspondant s'affiche.

### 9.2.3. Description de la protection de la batterie

Les trois voyants situés sur la face avant de la batterie fournissent des informations sur l'état de protection de la batterie, avec des voyants affichant un jaune fixe ou clignotant.

Symbole	Description
	Voyant jaune clignotant
	Voyant jaune fixe
	Voyant éteint

Indicateur LED	N° de protection	Affichage LED	Description	Dépannage
Voyants jaunes allumés ou voyants jaunes clignotants une fois par seconde	1		Différence de température	Attendez le rétablissement automatique. Si le problème n'est toujours pas résolu, appelez le centre de service.
	2		Température élevée	Arrêtez de décharger et de charger jusqu'à ce que cet état d'affichage soit éliminé et attendez que la température baisse.
	3		Faible température de décharge	Cessez de décharger jusqu'à ce que cet état d'affichage soit éliminé et attendez que la température augmente.
	4		Surintensité de charge	Attendez le rétablissement automatique. Si le problème persiste, veuillez appeler le centre de service.
	5		Surintensité de décharge	
	6		Surtension de la cellule	Cessez de décharger et appelez le service immédiatement.
	7		Sous-tension de cellule	
	8		Faible température de charge	Cessez de décharger jusqu'à ce que cet état d'affichage soit éliminé et attendez que la température augmente.



En mode de fonctionnement, si l'état de protection « Cell under voltage » (Sous-tension de cellule) apparaît, veuillez appuyer sur le bouton d'alimentation 5 fois dans les 10 secondes. Le BMS est alors forcé d'allumer le MOSFET de décharge afin que l'onduleur puisse détecter la tension ouverte de la batterie et charger la batterie.

## 9.2.4. Description des erreurs de batterie

Indicateur LED	N° d'erreur	Affichage LED	Description	Dépannage
Voyants jaunes allumés ou voyants jaunes clignotants une fois par seconde	Erreur 01		Erreur matérielle	Attendez le rétablissement automatique.
	Erreur 05		Erreur matérielle	Si le problème persiste, veuillez appeler le centre de service.
	Erreur 06		Disjoncteur ouvert	Enclenchez le disjoncteur après la mise hors tension de la batterie.
	Erreur 08		Déconnexion LMU (esclave)	Rebranchez le câble de communication BMS.
	Erreur 09		N° de série manquant	Contactez votre installateur ou le service clientèle.
	Erreur 10		Déconnexion LMU (maître)	Rebranchez le câble de communication BMS.
	Erreur 11		Version du logiciel incohérente	Contactez votre installateur ou le service clientèle.
	Erreur 12		Plusieurs maîtres	Redémarrez toutes les batteries.
	Erreur 13		Surchauffe MOS	Mettez la batterie hors tension et remettez-la sous tension après 30 minutes.
	Erreur 14		Défaut d'isolation	Redémarrez la batterie et si le problème n'est pas résolu, contactez votre installateur.
Erreur 15		Défaut de tension totale	Redémarrez la batterie et si le problème n'est pas résolu, contactez votre installateur ou le service clientèle.	



En mode de fonctionnement, si l'état de protection « Cell under voltage » (Sous-tension de cellule) apparaît, veuillez appuyer sur le bouton d'alimentation 5 fois dans les 10 secondes. Le BMS est alors forcé d'allumer le MOSFET de décharge afin que l'onduleur puisse détecter la tension ouverte de la batterie et charger la batterie.

## 10.0 Désinstallation & Retour

### 10.1. Retrait du produit

#### Procédure

1. Mettez les systèmes de stockage d'énergie hors tension en suivant les instructions du chapitre 7.2 Procédure d'arrêt du système.
2. Débranchez tous les câbles du produit, y compris les câbles de communication, les câbles d'alimentation PV, les câbles d'alimentation de la batterie, les câbles AC et les câbles de mise à la terre.
3. Retirez le module Wi-Fi.
4. Retirez l'onduleur de la partie supérieure de la batterie.
5. Retirez le support mural de la batterie.
6. Retirez la batterie.
7. Retirez le support mural de la batterie supplémentaire s'il y en a une.
8. Retirez la batterie supplémentaire s'il y en a une.

### 10.2. Emballage du produit

Si l'emballage d'origine est disponible, placez le produit à l'intérieur et scellez-le à l'aide de ruban adhésif. Si l'emballage d'origine n'est pas disponible, placez le produit dans une boîte en carton appropriée et scellez-la correctement.

### 10.3. Mise au rebut du produit

Si la durée de vie du produit expire, mettez-le au rebut conformément aux règles locales d'élimination des déchets pour les équipements électriques et les composants électroniques.

Éliminez l'emballage et les pièces remplacées conformément aux règles en vigueur sur le lieu d'installation de l'appareil.

Ne jetez pas le produit avec les ordures ménagères.





## 11.0 Spécification

### 11.1 Fiche technique de l'onduleur

Élément	RESERVE-INV-1-P5-L1-INT
<b>Entrée DC (côté PV)</b>	
Puissance photovoltaïque maxi recommandée	10 000 W
Tension d'entrée PV maxi	580 V
Tension nominale	360 V
Tension de démarrage	90 V
Plage de tensions MPPT	100 – 550 V
Courant d'entrée maxi par MPPT	15 A/15 A
Courant de court-circuit maxi par MPPT	18,75 A/18,75 A
Nombre de MPPT	2
Nombre maximal de chaînes d'entrée par MPPT	1
<b>Batterie</b>	
Type de batterie	Li-ion
Plage de tensions de la batterie	80 - 450 V
Puissance de charge maximale	5 kW
Courant de charge/décharge maximal	60 A/60 A
Communication	CAN
<b>Sortie AC (secours)</b>	
Puissance de sortie nominale	5 kW
Puissance de sortie apparente maximale	5 kVA
Temps de commutation de secours	< 20 ms
Tension de sortie nominale	P/N/T, 230 V
Fréquence nominale	50/60 Hz
Courant de sortie nominal	21,7 A
THDv(@charge linéaire)	3 %

Élément	RESERVE-INV-1-P5-L1-INT
<b>Entrée AC (côté réseau)</b>	
Tension d'entrée nominale	P/N/T, 230 V
Fréquence nominale	50/60 Hz
Puissance d'entrée nominale	10 kW
Courant d'entrée maxi	43,5 A
<b>Sortie AC (côté réseau)</b>	
Puissance de sortie nominale	5 kW
Puissance de sortie apparente maximale	5 kVA
Phase opérationnelle	Monophasé
Tension nominale du réseau	P/N/T, 230 V
Plage de tensions du réseau	180 – 270 V
Fréquence nominale du réseau	50/60 Hz
Courant nominal de sortie du réseau	21,7 A
Facteur de puissance	>0,99 (0,8 en tête - 0,8 en queue)
Distorsion harmonique	<3 %
Classe de protection	I
Catégorie de surtension	III
<b>Rendement</b>	
Efficacité maximale	>97 %
Efficacité UE	>96,2 %
<b>Protection</b>	
Protection contre l'îlotage	Intégrée
Détection de la résistance d'isolement	Intégrée
Unité de surveillance du courant résiduel	Intégrée
Protection de la sortie contre les surintensités	Intégrée
Protection contre les courts-circuits en sortie	Intégrée
Protection contre les surtensions de sortie	Intégrée
Protection contre l'inversion de la polarité DC	Intégrée
Protection contre les surtensions photovoltaïques	Intégrée
Interrupteur PV	Intégré
Disjoncteur de batterie	Intégré

Élément	RESERVE-INV-1-P5-L1-INT
<b>Données générales</b>	
Dimensions (L*P*H)	610x212x380 mm
Poids	20 kg
Topologie	Sans transformateur
Plage de températures de fonctionnement	-25/+60 °C
Indice de protection	IP65
Émissions sonores	<30 dB(A) @1 m
Concept de refroidissement	Convection naturelle
Altitude maximale de fonctionnement	2 000 m
<b>Caractéristiques</b>	
Connexion PV	Connecteurs enfichables, MC4
Connexion au réseau	Connecteurs enfichables
Connexion de secours	Connecteurs enfichables
Connexion BAT	Borne à vis
Communication	LAN, Wi-Fi

## 11.2 Fiche technique de la batterie

Élément	RESERVE-BAT-1-DC-10.1-INT
<b>Données générales</b>	
Type de batterie	LFP (LiFePO4)
Poids	90 kg
Dimension (L*P*H)	610 x 212 x 829 mm
Indice de protection	IP65
Capacité énergétique	10,1 kWh
Capacité utilisable	9,6 kWh
DoD	95 %
Tension nominale	96 V
Plage de tensions de fonctionnement	90 - 108 V
Courant de charge/décharge maxi *	60 A
Plage de températures de fonctionnement	Charge : $0 < T \leq 50$ °C Décharge : $-10 < T \leq 50$ °C
Paramètres de surveillance	Tension de l'installation, courant, tension des cellules, température des cellules, température PCBA
Communication avec le BMS	CAN
<b>Système</b>	
Sécurité	IEC62619/IEC63056/IEC62040/IEC61000
Transport	UN38.3

\*Le courant de charge/décharge maximal diminue en fonction de la température et de l'état de charge

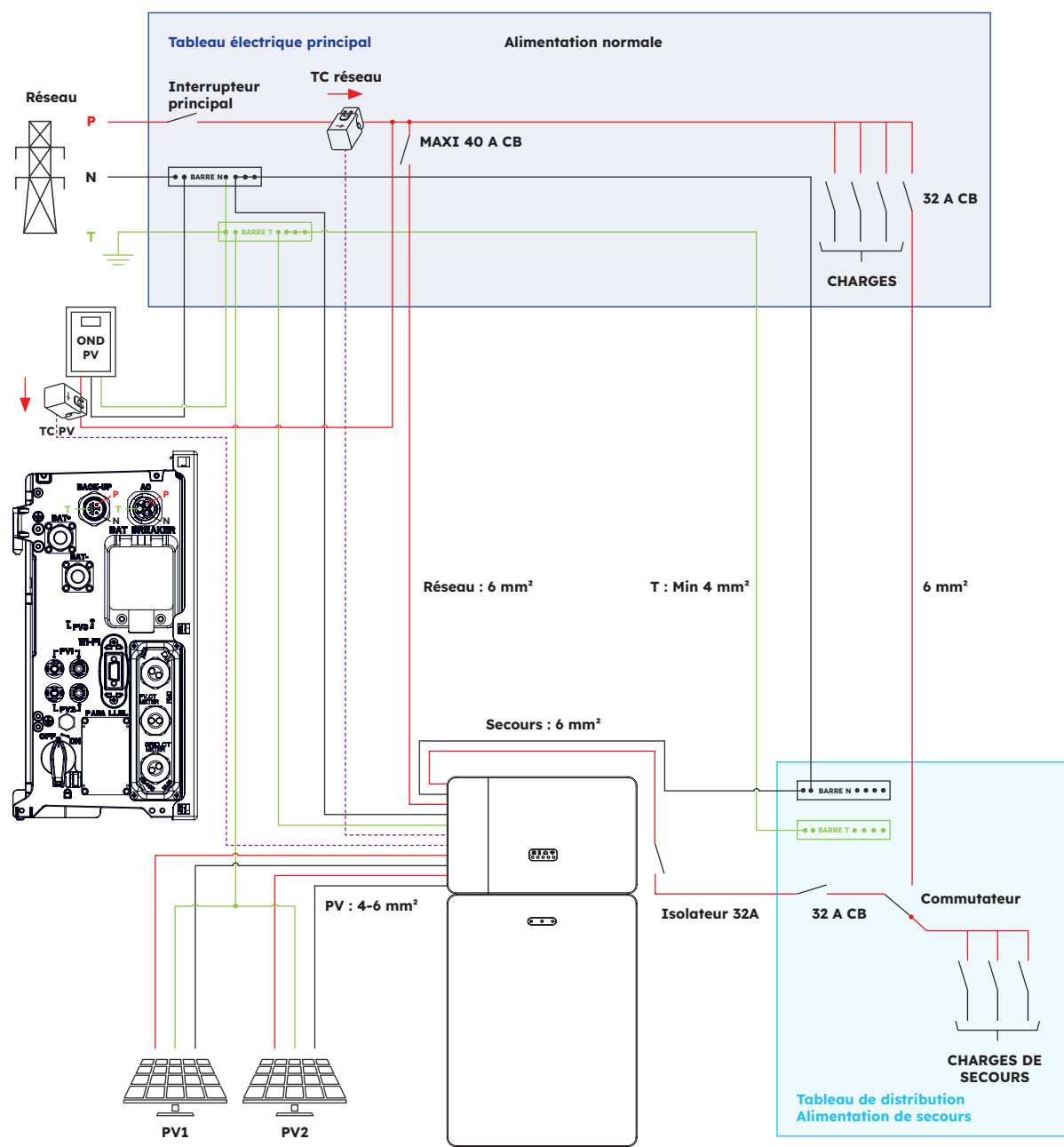
## 12.0 Annexe 1 : Vue d'ensemble du système

### 12.1 Schéma de câblage du système pour l'Australie

#### 12.1.1. Configuration hybride ou couplage AC (AUS)

Schéma de câblage de SunPower Reserve - hybride couplé avec phase unique (AU)

Remarque : Le Neutre étant commuté, le Neutre de secours AC doit être connecté à la barre Neutre.

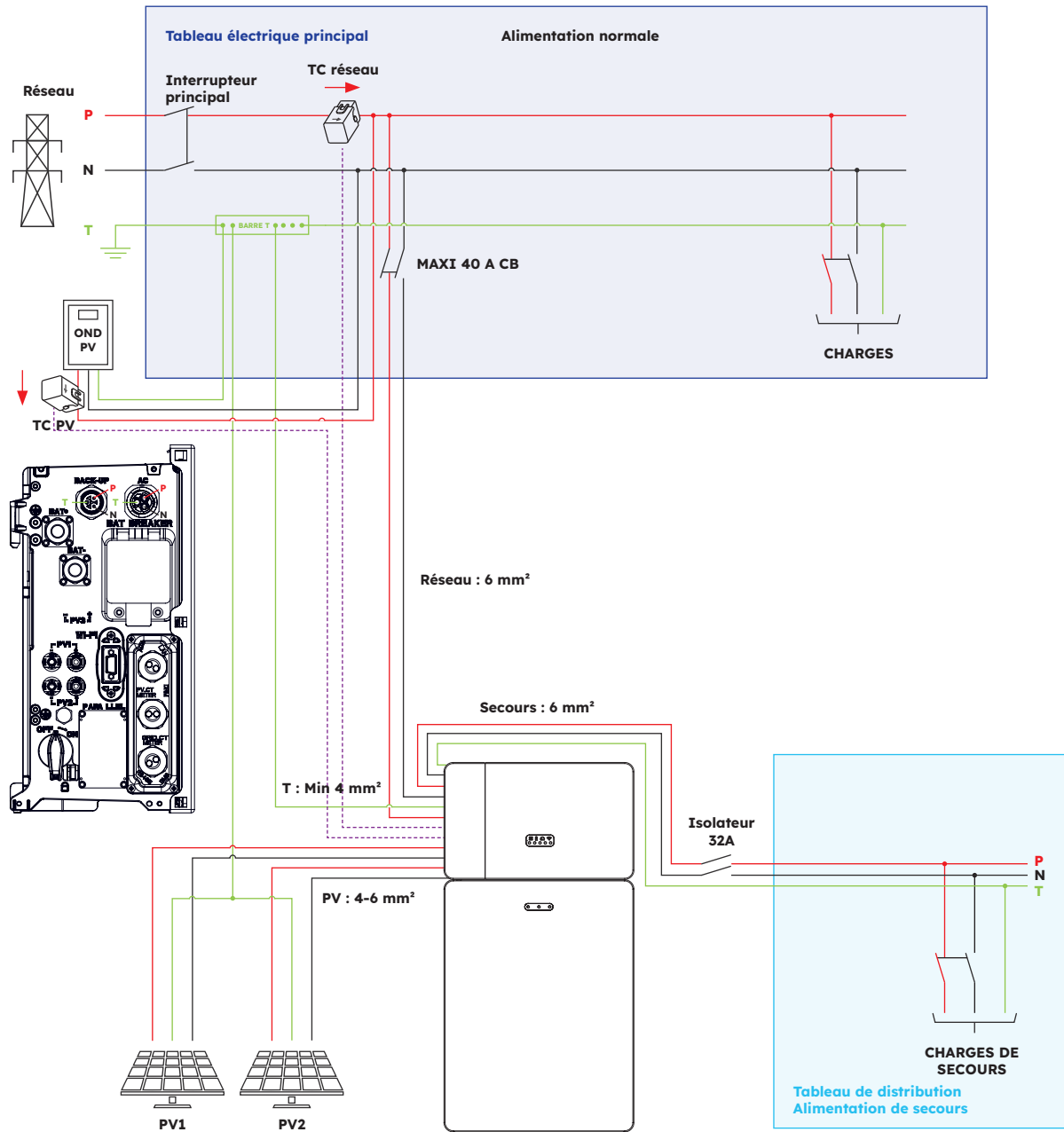




## 12.2. Schéma de câblage de l'installation pour l'Europe

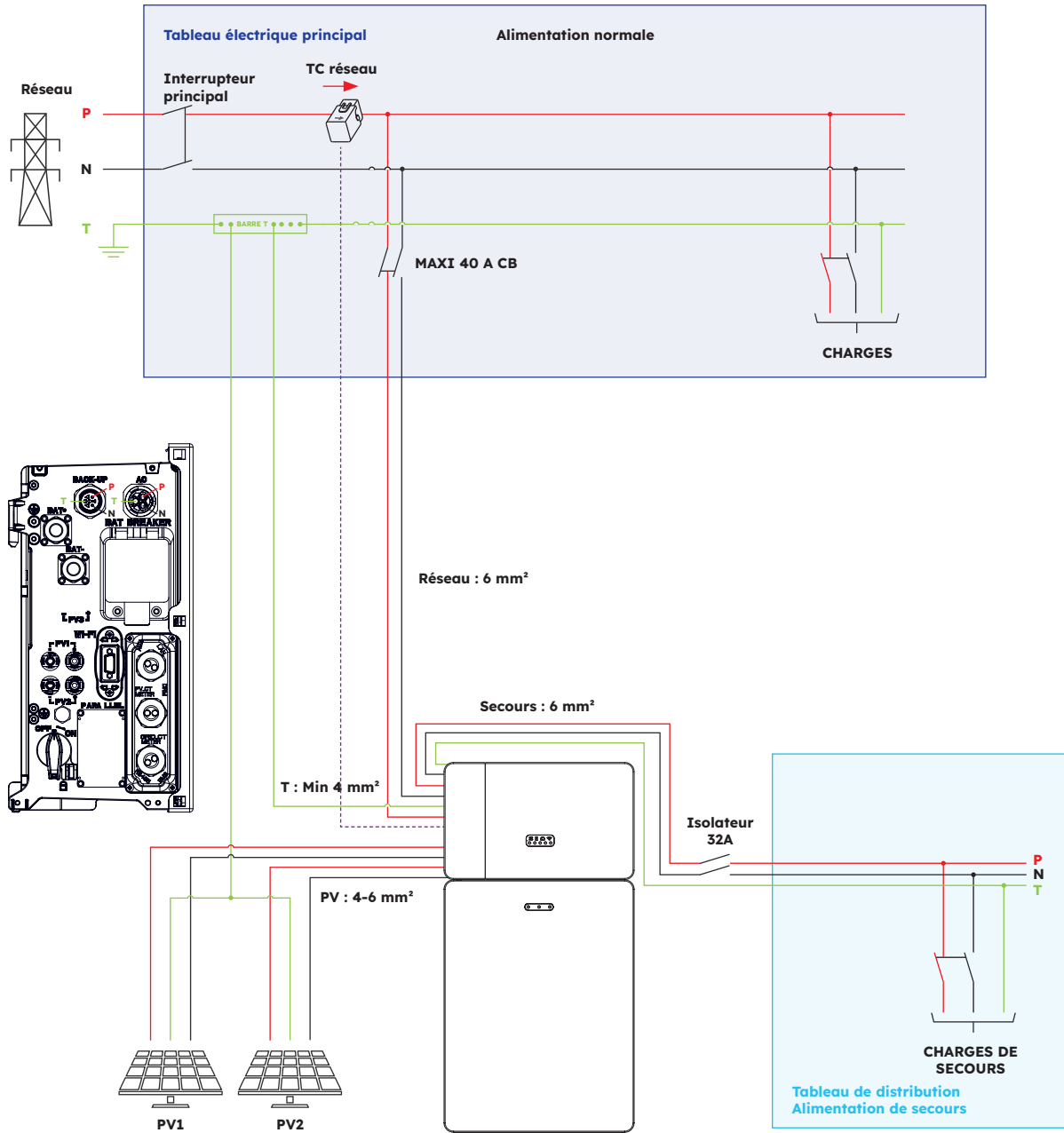
### 12.2.1. Configuration hybride ou à couplage AC (UE)

Schéma de câblage du SunPower Reserve - hybride couplé avec phase unique (UE)



## 12.2.2. Configuration couplée DC (UE)

Schéma de câblage du Sun Power Reserve - DC couplé avec phase unique (UE)





## 13.0 Annexe 2 : Norme régionale d'application

Veillez vérifier auprès de votre société locale de gestion du réseau et choisir la norme d'application régionale correspondante, les modes de qualité de l'énergie Volt-VAR et Volt-Watt s'exécuteront automatiquement. (Uniquement pour les régions qui appliquent les règles de sécurité AS/NZW 4777.2)

Pays (DNSP)	Norme de sécurité	Réglage de la région
Ausgrid, Ausnet, Citipower, Endeavour Energy, Energex, Ergon, Essential Energy, Evoenergy, Jemena, SA Power Networks, PowerCor, United Energy	AS/NZS 4777.2 : 2020	Australie A
Western Power	AS/NZS 4777.2 : 2020	Australie B
Horizon Power et TasNetworks	AS/NZS 4777.2 : 2020	Australie C
Nouvelle-Zélande	AS/NZS 4777.2 : 2020	Nouvelle-Zélande
Allemagne	VDE4105/11.18	Allemagne
Italie	CEI 0-21	Italie
Espagne	RD1699/UNE	Espagne
Belgique	C10/C11	Belgique
Pays-Bas	EN50549	Pays-Bas

# SunPower Reserve

## Energiespeichersystem für Eigenheime



## Sicherheits- und Installationsanweisungen

547143 Revision C  
Veröffentlicht im Dezember 2023

Dieses Dokument gilt für die Installation des Energiespeichersystems SunPower Reserve einschließlich:

- Wechselrichter: RESERVE-INV-1-P5-L1-INT
- Akku: RESERVE-BAT-1-DC-10.1-INT
- Stromzähler: CHINT-DTSU666-AC-L3-INT

In diesem Dokument werden die Montage, Installation, Inbetriebnahme und Konfiguration sowie der Betrieb, die Problembehebung und die Außerbetriebnahme der Produkte beschrieben. Des Weiteren wird die Funktionsweise der Benutzeroberfläche des Produkts erläutert. Die beiliegende Dokumentation ist ein integraler Bestandteil dieses Produkts. Bewahre die Dokumentation an einem geeigneten Ort zum späteren Nachschlagen auf und befolge alle Anweisungen.

Die Abbildungen in diesem Dokument beschränken sich auf die wesentlichen Informationen und können vom tatsächlichen Produkt abweichen.



Die neueste Version findest du hier:  
[www.sunpower.maxeon.com/int/InstallGuideReserve](http://www.sunpower.maxeon.com/int/InstallGuideReserve)  
Kurzfristige inhaltliche Änderungen vorbehalten.  
Maxeon Solar Technologies, Ltd.  
[sunpower.maxeon.com](http://sunpower.maxeon.com)

<b>1.0</b>	<b>Einführung</b>	<b>5</b>
1.1.	Haftungsausschluss	5
1.2.	Open-Source-Lizenz	5
1.3	Hinweisstufen	5
1.4.	Definition von Abkürzungen und Begriffen	6
<b>2.0</b>	<b>Sicherheit</b>	<b>7</b>
2.1.	Verwendungszweck	7
2.2.	Sicherheitshinweise für den Akku	7
2.2.1.	Allgemeine Sicherheitsvorkehrungen	7
2.2.2.	Reaktion in Notfallsituationen	8
2.3.	Wichtige Sicherheitshinweise	9
2.4.	Erklärung der Symbole	12
<b>3.0</b>	<b>Einführung in das Produkt und Anwendungsszenarien</b>	<b>14</b>
3.1.	Einführung in das System	14
3.2.	Beschreibung des Wechselrichters	15
3.2.1.	Einführung in die elektrische Schnittstelle des Wechselrichters	15
3.2.2.	Oberfläche des Displays des Wechselrichters	16
3.3	Beschreibung des Akkus	18
3.4.	Anwendungsszenarien	20
3.4.1.	DC-gekoppeltes Speichersystem	20
3.4.2.	AC-gekoppeltes Speichersystem	21
3.4.3.	Hybridgekoppeltes Speichersystem	21
<b>4.0</b>	<b>Lagerung und Transport</b>	<b>22</b>
4.1.	Lagerung	22
4.2.	Transport	23
<b>5.0</b>	<b>Montage</b>	<b>24</b>
5.1.	Prüfung der äußeren Verpackung	24
5.2.	Lieferumfang	24
5.3.	Mitgelieferte Komponenten	24
5.4.	Vorbereitung der Werkzeuge und Ausrüstung	26
5.5.	Voraussetzungen für die Montage	27
5.6.	Montage des Energiespeichersystems	29
5.6.1.	Montage des Akkus	29
5.6.2.	Montage des Wechselrichters	30
5.6.3.	Montage des WLAN-Moduls	31

<b>6.0</b>	<b>Elektrischer Anschluss</b>	<b>32</b>
<b>6.1.</b>	<b>Kabelvoraussetzungen für den Anschluss</b>	<b>32</b>
<b>6.2.</b>	<b>Anschluss einer zusätzlichen Erdung</b>	<b>33</b>
<b>6.3.</b>	<b>Wechselstrom-Anschluss</b>	<b>35</b>
6.3.1.	Voraussetzungen für den Wechselstrom-Anschluss	35
6.3.2.	Auswahl eines geeigneten AC-Schutzschalters	35
6.3.3.	Netz- und Backup-Anschluss	36
6.3.4.	Nennstrom des Stromwandlers	38
6.3.5.	Anschluss des Stromwandlers	38
6.3.6.	Anschluss des Stromzählers	40
<b>6.4.</b>	<b>Anschluss der PV-Anlage</b>	<b>43</b>
<b>6.5.</b>	<b>Elektrischer Anschluss zwischen Wechselrichter und Akku-Packs</b>	<b>44</b>
6.5.1.	Elektrischer Anschluss zwischen Wechselrichter und erstem Akku	44
6.5.2.	Anschluss des Kommunikationskabels	44
6.5.3.	Anschluss des Stromkabels	45
6.5.4.	Elektrischer Anschluss für Erweiterungsakkus	47
6.5.5.	Sonstige Kommunikationsanschlüsse des Wechselrichters	48
<b>6.6.</b>	<b>Montage der äußeren Teile von Akku und Wechselrichter</b>	<b>50</b>
<b>6.7.</b>	<b>Montage der Schraubstopfen</b>	<b>52</b>
<b>7.0</b>	<b>Vorgehensweise zum Hoch- und Herunterfahren</b>	<b>53</b>
<b>7.1.</b>	<b>Vorgehensweise zum Hochfahren</b>	<b>53</b>
<b>7.2.</b>	<b>Vorgehensweise zum Herunterfahren</b>	<b>53</b>
<b>7.3.</b>	<b>Prüfungen vor dem Hochfahren</b>	<b>54</b>
<b>8.0</b>	<b>Einrichtung eines neuen Systems (Inbetriebnahme)</b>	<b>55</b>
<b>8.1.</b>	<b>Verbindung des Reserve-Systems mit dem Internet</b>	<b>55</b>
<b>8.2.</b>	<b>Herunterladen und Installieren der SunPower One-App</b>	<b>56</b>
<b>8.3.</b>	<b>Inbetriebnahme des SunPower Reserve-Systems</b>	<b>56</b>
<b>8.4.</b>	<b>Einschalten des Systems und Überprüfung des Systemstatus</b>	<b>57</b>
<b>8.5.</b>	<b>Überprüfung der AC-Backup-Versorgung (falls verfügbar)</b>	<b>57</b>
<b>8.6.</b>	<b>Unterstützung des Endbenutzers bei der Installation der SunPower One-App</b>	<b>58</b>
<b>9.0</b>	<b>Wartung und Problembehebung</b>	<b>59</b>
<b>9.1.</b>	<b>Routinemäßige Wartungsarbeiten</b>	<b>59</b>
<b>9.2.</b>	<b>Problembehebung</b>	<b>59</b>
9.2.1.	Problembehebung für den Wechselrichter	60
9.2.2.	Fehlerbeschreibung für den Wechselrichter	62
9.2.3.	Beschreibung des Akku-Schutzes	64
9.2.4.	Fehlerbeschreibung für den Akku	66

<b>10.0</b>	<b>Demontage und Rücksendung</b>	<b>67</b>
<b>10.1.</b>	<b>Abbauen des Produkts</b>	<b>67</b>
<b>10.2.</b>	<b>Verpacken des Produkts</b>	<b>67</b>
<b>10.3.</b>	<b>Entsorgen des Produkts</b>	<b>67</b>
<b>11.0</b>	<b>Spezifikationen</b>	<b>68</b>
<b>11.1.</b>	<b>Datenblatt des Wechselrichters</b>	<b>68</b>
<b>11.2.</b>	<b>Datenblatt des Akkus</b>	<b>71</b>
<b>12.0</b>	<b>Anhang 1: Systemübersicht</b>	<b>72</b>
<b>12.1.</b>	<b>Systemschaltplan für Australien</b>	<b>72</b>
12.1.1.	Hybride oder AC-gekoppelte Konfiguration (Australien)	72
12.1.2.	DC-gekoppelte Konfiguration (Australien)	73
<b>12.2.</b>	<b>Systemschaltplan für Europa</b>	<b>74</b>
12.2.1.	Hybride oder AC-gekoppelte Konfiguration (Europa)	74
12.2.2.	DC-gekoppelte Konfiguration (Europa)	75
<b>13.0</b>	<b>Anhang 2: Regionale Anwendungsnormen</b>	<b>76</b>

# 1.0 Einführung

## 1.1. Haftungsausschluss

Dieses Dokument richtet sich an qualifiziertes Personal und Endbenutzer. Arbeiten, die mit dem Symbol GEFAHR oder ACHTUNG gekennzeichnet sind, dürfen nur von qualifiziertem Personal durchgeführt werden. Endbenutzer ohne besondere Qualifikationen können alle nicht markierten Aufgaben ausführen.

Von qualifiziertem Personal zu erfüllende Voraussetzungen:

- Kenntnis über Funktionsweise und Betrieb eines Wechselrichters
- Kenntnis über Funktionsweise und Betrieb von Akkus
- Schulung über den Umgang mit Gefahren und Risiken bei der Installation, Reparatur und Nutzung von elektrischen Geräten, Akkus und Anlagen
- Schulung über die Installation und Inbetriebnahme von Elektrogeräten und elektrischen Anlagen
- Kenntnis der geltenden Gesetze, Normen und Richtlinien im Gebiet der Installation
- Kenntnis und Einhaltung dieses Dokuments, einschließlich aller Sicherheitsvorkehrungen
- Kenntnis und Einhaltung der Dokumente des Herstellers des Akkus, einschließlich aller Sicherheitsvorkehrungen

## 1.2. Open-Source-Lizenz

Dieses Produkt enthält Open-Source-Software, die von Dritten entwickelt wurde und mit Instrumenten wie GPL und/oder LGPL lizenziert ist. Weitere Einzelheiten sowie eine Liste der genutzten Open-Source-Software und der entsprechenden Lizenztexte befinden sich im Abschnitt über Lizenzen in unserer SunPower-App und auf der Maxeon-Website (<https://corp.maxeon.com/legal>).

## 1.3. Hinweisstufen

Beim Umgang mit dem Produkt können die folgenden Hinweisstufen auftreten:



Dieses Zeichen weist auf eine gefährliche Situation hin, die, wenn sie nicht vermieden wird, zum Tod oder zu schwerwiegenden Verletzungen führen kann.



Dieses Zeichen weist auf eine Situation hin, die, wenn sie nicht vermieden wird, zu Sachschäden und/oder leichten bis mittelschweren Verletzungen führen kann.



**TIPP**

Mit diesem Zeichen sind hilfreiche Informationen für die Installation und den Betrieb des Produkts gekennzeichnet.

## 1.4. Definition von Abkürzungen und Begriffen

Abkürzung	Beschreibung
AC	Wechselstrom (Alternating Current)
AUX	Hilfskomponente (Auxiliary)
BAT	Batterie bzw. Akku
BMS	Batterie-Management-System
CT	Stromwandler (Current Transformer)
DC	Gleichstrom (Direct Current)
DNISP	Anbieter verteilter Netzwerkdienste (Distributed Network Service Provider)
DRM	Demand Response Mode (australischer Standard)
EMS	Energie-Management-System
INV	Wechselrichter
LED	Leuchtdiode
PV	Photovoltaik
SOC	Ladezustand (State of Charge)

## 2.0 Sicherheit

### 2.1 Verwendungszweck

Produkt(e)	Verwendungszweck und Installationsvoraussetzungen
<b>SunPower Reserve-System inklusive:</b> <ul style="list-style-type: none"><li>• <b>RESERVE-INV-1-P5-L1-INT</b></li><li>• <b>RESERVE-BAT-1-DC-10.1-INT</b></li><li>• <b>Stromwandler oder Stromzähler</b></li></ul>	<p>Das SunPower Reserve-System ist für die Installation in Wohnhäusern zur Optimierung des Eigenverbrauchs vorgesehen. Es eignet sich für die Innen- und Außenmontage.</p> <p>Alle Komponenten müssen in einem für ihren Betrieb geeigneten Szenario eingesetzt werden. Eine Nutzung, die von der in diesem Abschnitt beschriebenen Nutzung des Produkts/der Produkte abweicht, gilt als nicht angemessen. Es muss sichergestellt werden, dass dieses Produkt gemäß den Angaben in den Begleitdokumenten und in Übereinstimmung mit den vor Ort geltenden Normen und Gesetzen eingesetzt wird.</p> <p>Jeder davon abweichender Einsatz kann Personen- oder Sachschäden verursachen. Modifizierungen am Produkt wie Änderungen oder Umbauten sind nur mit ausdrücklicher schriftlicher Genehmigung von Maxeon Solar Technologies zulässig.</p> <p>Nicht genehmigte Modifizierungen haben das Erlöschen von Garantie- und Gewährleistungsansprüchen zur Folge. Maxeon Solar Technologies haftet nicht für Schäden, die durch derartige Modifizierungen hervorgerufen werden. Das Typenschild muss dauerhaft am Produkt angebracht bleiben. Dieses Dokument ist integraler Bestandteil dieses Produkts.</p> <p>Es ist an einem geeigneten Ort aufzubewahren, um es später konsultieren zu können und um die Einhaltung aller darin erwähnten Anweisungen sicherzustellen.</p>
<b>WECHSELRICHTER: RESERVE-INV-1-P5-L1-INT</b>	<p>Der Wechselrichter dient zur bidirektionalen Übertragung zwischen Wechselstrom und Gleichstrom.</p> <p>Er darf nur mit PV-Modulfeldern der Schutzklasse II nach IEC 61730, Anwendungsklasse A, betrieben werden. Die Kopplungskapazität der PV-Module darf 1,0 µF nicht überschreiten.</p>
<b>AKKU: RESERVE-BAT-1-DC-10.1-INT</b>	<p>Das Akku-Pack darf nur zur Stromspeicherung mit einem SunPower Reserve-Wechselrichter verwendet werden.</p>

## 2.2 Sicherheitshinweise für den Akku

### 2.2.1 Allgemeine Sicherheitsvorkehrungen

1. Überspannung oder eine falsche Verkabelung können den Akku beschädigen und Verpuffungen verursachen, die extrem gefährlich sein können.



2. Alle Arten von Defekten des Akkus können zum Auslaufen von Elektrolyt oder brennbarem Gas führen.
3. Das Akku-Pack darf nicht vom Benutzer gewartet werden. Im Gerät liegt eine hohe Spannung an.
4. Lesen Sie das Etikett mit Warnsymbolen und Vorsichtsmaßnahmen auf der rechten Seite des Akku-Packs.
5. Wechselstrom- oder PV-Leiter dürfen nicht direkt an das Akku-Pack angeschlossen werden. Sie dürfen nur an den Wechselrichter angeschlossen werden.
6. Ein defekter Akku darf weder entladen noch aufgeladen werden.
7. Der Akku darf nicht beschädigt werden, indem er fallen gelassen, verformt, auf ihn geschlagen, aufgeschnitten oder ein scharfer Gegenstand darin eingeführt wird. Dies kann zum Auslaufen von Elektrolyt oder zu einem Brand führen.
8. Der Akku darf nicht mit offenem Feuer in Berührung kommen.


## 2.2.2. Reaktion in Notfallsituationen

Das Akku-Pack ist so konstruiert, dass die Gefahr einer Fehlfunktion vermieden wird.




Entfernen Sie bei einem Unfall an Land die Gegenstände vom beschädigten Akku-Pack, und trennen Sie sie, falls möglich. Rufen Sie anschließend die örtliche Feuerwehr oder einen Servicetechniker herbei. Bleiben Sie bei einem Unfall im Wasser außerhalb des Wassers. Vermeiden Sie die Berührung mit dem Wasser, wenn ein Teil des Akkus, des Wechselrichters oder der Verkabelung unter Wasser ist.




Nehmen Sie den Akku nicht mehr in Betrieb, und wenden Sie sich an den technischen Support.




Situation	Empfohlene Aktionen
<b>Wenn der Akku beschädigt ist und der Benutzer das innere Material der Batteriezellen berührt</b>	<ol style="list-style-type: none"> <li><b>1. Bei Einatmen:</b> Verlassen Sie den kontaminierten Bereich sofort, und suche unverzüglich einen Arzt auf.</li> <li><b>2. Bei einer Verletzung der Augen:</b> Spülen Sie die Augen 15 Minuten lang mit fließendem Wasser aus, und suchen Sie unverzüglich einen Arzt auf.</li> <li><b>3. Bei Hautverletzungen:</b> Waschen Sie den Bereich, der mit dem Material in Berührung gekommen ist, gründlich mit Seife, und suchen Sie unverzüglich einen Arzt auf.</li> <li><b>4. Bei Verschlucken:</b> Versuchen Sie den Gegenstand (gegebenenfalls durch Erbrechen) herauszuwürgen, und suchen Sie unverzüglich einen Arzt auf.</li> </ol>
<b>Bei einem Brand am Ort der Installation des Akkus</b>	<p><b>Sie benötigen:</b></p> <ul style="list-style-type: none"> <li>• FM-200-, CO<sup>2</sup>- oder einen anderen geeigneten Feuerlöscher für das Feuer am Akku.</li> <li>• Für andere Gegenstände, die nicht mit dem Akku in Berührung kommen, kann auch ein ABC-Feuerlöscher verwendet werden.</li> </ul> <p><b>Verhaltensweise:</b></p> <ol style="list-style-type: none"> <li>1. Wenn ein Brand beim Laden des Akkus entsteht, schalten Sie den Ladestrom über den Schutzschalter des Akku-Packs aus, sofern dies gefahrlos möglich ist.</li> <li>2. Wenn das Akku-Pack noch nicht brennt, löschen Sie das Feuer, bevor das Akku-Pack Feuer fängt.</li> <li>3. Falls das Akku-Pack bereits brennt, versuchen Sie nicht, es zu löschen, sondern evakuieren Sie den Raum schnellstmöglich.</li> </ol>

Situation	Empfohlene Aktionen
 <p><b>Wenn das Akku-Pack in Flammen steht</b></p>	<p>Bei Temperaturen von über 150 °C kann es zu einer Explosion kommen. Wenn das Akku-Pack brennt, treten giftige Gase aus. <b>Halten Sie sich fern!</b></p>







## 2.3. Wichtige Sicherheitshinweise













Hochrisiko-Situationen	Empfohlene Aktionen
 <p><b>Lebensgefahr durch Stromschlag bei Berührung von spannungsführenden Bauteilen oder Leitungen</b></p>	<p>An den leitenden Bauteilen oder Kabeln des Wechselrichters liegt eine hohe Spannung an. Die Berührung von stromführenden Teilen und Kabeln kann zum Tod oder zu tödlichen Verletzungen durch Stromschlag führen.</p> <ul style="list-style-type: none"> <li>• Berühren Sie unter keinen Umständen nicht isolierte Teile oder Kabel.</li> <li>• Trennen Sie das Produkt von Spannungsquellen, und triff vor der Durchführung etwaiger Arbeiten am Wechselrichter oder Akku-Pack Vorkehrungen dafür, dass es nicht wieder angeschlossen werden kann.</li> <li>• Warten Sie nach dem Abschalten fünf Minuten, bis sich die Kondensatoren im Wechselrichter entladen haben.</li> <li>• Öffnen Sie das Produkt nicht.</li> <li>• Tragen Sie bei allen Arbeiten am Produkt geeignete persönliche Schutzausrüstung.</li> </ul>
 <p><b>Lebensgefahr durch gefährliche Spannungen im Akku-Pack</b></p>	<p>An der Steckverbindung für das Stromkabel liegt eine gefährliche Spannung an. Eine Berührung der Steckverbindung des Netzkabels kann zu einem tödlichen Stromschlag führen.</p> <ul style="list-style-type: none"> <li>• Das Akku-Pack darf unter keinen Umständen geöffnet werden.</li> <li>• Wischen Sie nicht mit einem feuchten Tuch über das Akku-Pack.</li> <li>• Belassen Sie die Schutzkappen an den Steckverbindungen für den Akku-Stromanschluss, bis die Wechselrichterkabel mit dem Akkupack verbunden sind. Trennen Sie das System von Spannungsquellen, und triff vor der Durchführung etwaiger Arbeiten am Wechselrichter oder Akku-Pack Vorkehrungen dafür, dass es nicht wieder angeschlossen werden kann.</li> </ul>
 <p><b>Lebensgefahr durch Stromschlag bei Berührung des ungeerdeten Rahmens eines PV-Moduls oder -Modulfelds</b></p>	<ul style="list-style-type: none"> <li>• Die Berührung des nicht geerdeten Rahmens eines PV-Moduls oder -Modulfelds kann zum Tod oder zu tödlichen Verletzungen durch Stromschlag führen.</li> <li>• Der Rahmen der PV-Module, der Rahmen des Modulfelds und die elektrisch leitenden Flächen müssen so verbunden und geerdet werden, dass eine durchgängige Ableitung gegeben ist.</li> <li>• Die geltenden örtlichen Vorschriften sind einzuhalten.</li> </ul>

Hochrisiko-Situationen	Empfohlene Aktionen
 <p><b>Lebensgefahr durch Stromschlag bei Berührung von spannungsführenden Bauteilen oder PV-Leitungen</b></p>	<p>Wenn PV-Module Sonnenlicht ausgesetzt sind, erzeugt das PV-Modulfeld eine hohe Gleichspannung, die in den Gleichstromleitern anliegt. Die Berührung der stromführenden Gleichstromkabel kann zum Tod oder zu tödlichen Verletzungen durch Stromschlag führen.</p> <ul style="list-style-type: none"> <li>• Trennen Sie den Wechselrichter von Spannungsquellen, und triff vor der Durchführung etwaiger Arbeiten am Gerät Vorkehrungen dafür, dass er nicht wieder angeschlossen werden kann.</li> <li>• Berühren Sie unter keinen Umständen nicht isolierte Teile oder Kabel.</li> <li>• Trennen Sie die DC-Steckverbinder nicht, während sie unter Strom stehen.</li> <li>• Tragen Sie bei allen Arbeiten am Wechselrichter geeignete persönliche Schutzausrüstung.</li> </ul>
 <p><b>Lebensgefahr durch Stromschlag bei Berührung von spannungsführenden Systemkomponenten bei einem Erdschluss</b></p>	<p>Bei einem Erdschluss können Teile des Systems noch Spannung führen. Die Berührung von stromführenden Teilen und Kabeln kann zum Tod oder zu tödlichen Verletzungen durch Stromschlag führen.</p> <ul style="list-style-type: none"> <li>• Trennen Sie das Produkt von Spannungsquellen, und triff vor der Durchführung etwaiger Arbeiten am Gerät Vorkehrungen dafür, dass es nicht wieder angeschlossen werden kann.</li> <li>• Berühren Sie die Kabel des PV-Modulfelds nur an der Isolierung.</li> <li>• Berühren Sie keine Teile der Unterkonstruktion oder des Rahmens des PV- Modulfelds.</li> <li>• Schließen Sie mit Erdschluss behaftete PV-Stränge unter keinen Umständen an den Wechselrichter an.</li> </ul>
 <p><b>Gefahr von Verätzungen durch Elektrolyt oder giftige Gase</b></p>	<p>Während des normalen Betriebs tritt aus dem Akku-Pack kein Elektrolyt aus, und es bilden sich auch keine giftigen Gase. Trotz der sorgfältigen Konstruktion kann nicht ausgeschlossen werden, dass bei einer Beschädigung des Akkus oder einer Fehlfunktion Elektrolyt ausläuft oder sich giftige Gase bilden.</p> <ul style="list-style-type: none"> <li>• Das Akku-Pack muss an einem kühlen und trockenen Ort gelagert werden.</li> <li>• Zudem darf das Akku-Pack nicht fallen gelassen oder durch scharfe Gegenstände beschädigt werden.</li> <li>• Das Akku-Pack sollte nur auf der Rück- oder Vorderseite abgelegt werden.</li> <li>• Das Akku-Pack darf unter keinen Umständen geöffnet werden.</li> <li>• Das Akku-Pack darf nicht in einer explosionsgefährdeten Umgebung oder in Bereichen mit hoher Luftfeuchtigkeit aufgestellt oder in Betrieb genommen werden.</li> <li>• Wenn Feuchtigkeit in den Akku eindringt (z. B. durch ein beschädigtes Gehäuse), darf dieser nicht mehr installiert oder betrieben werden.</li> <li>• Spülen Sie bei Kontakt mit Elektrolyt die betroffenen Stellen sofort mit Wasser ab, und suchen Sie unverzüglich einen Arzt auf.</li> </ul>

S ituationen, in denen Vor- sicht geboten ist	Empfohlene Aktionen
 <p><b>Verbrennungsgefahr durch heißen Kühlkörper und heißes Gehäuse</b></p>	<p>Gehäuse und Abdeckung des Wechselrichters können im Betrieb heiß werden. Während des Betriebs darf der Wechselrichter ausschließlich an der Abdeckung berührt werden.</p>
 <p><b>Beschädigung des Wechselrichters durch elektrostatische Entladung</b></p>	<ul style="list-style-type: none"> <li>• Die Berührung von elektronischen Bauteilen kann den Wechselrichter und Akku durch elektrostatische Entladung beschädigen oder zerstören.</li> <li>• Daher ist es wichtig, sich zu erden, bevor man ein Bauteil berührt.</li> </ul>
 <p><b>Beschädigung durch Reinigungsmittel</b></p>	<ul style="list-style-type: none"> <li>• Die Verwendung von Reinigungsmitteln kann zu Schäden am Energiespeichersystem und seinen Komponenten führen.</li> <li>• Die Anlage und ihre Komponenten dürfen lediglich mit einem mit klarem Wasser angefeuchteten Tuch gereinigt werden.</li> </ul>

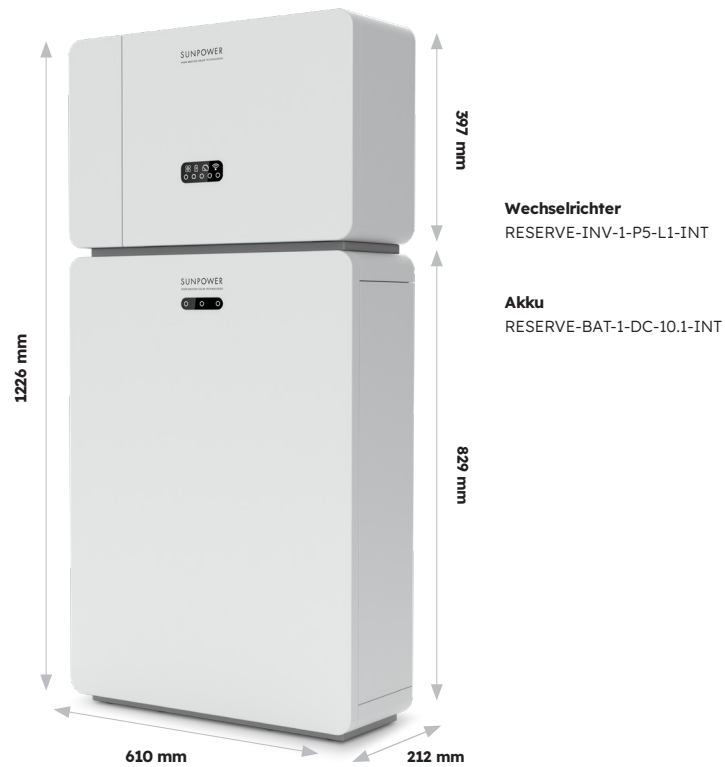
## 2.4. Erklärung der Symbole

Symbole am Wechselrichter	Erklärung
	Vorsicht, Gefahrenzone! Dieses Symbol zeigt an, dass der Wechselrichter zusätzlich geerdet werden muss, wenn am Aufstellort eine zusätzliche Erdung oder ein Potentialausgleich erforderlich ist.
	Vorsicht, elektrische Spannung! Im Produkt liegen hohe Spannungen an.
	Vorsicht, heiße Oberfläche! Das Produkt kann im Betrieb heiß werden.
	Lebensgefahr aufgrund von Hochspannung im Wechselrichter, es wird dringend empfohlen, eine Wartezeit von fünf Minuten einzuhalten. Trennen Sie den Wechselrichter, wie in diesem Dokument beschrieben, vor der Durchführung etwaiger Arbeiten von allen Spannungsquellen.
	WEEE-Kennzeichnung Das Produkt gehört nicht in den Hausmüll, sondern muss gemäß den am Installationsort geltenden Entsorgungsvorschriften für Elektroschrott entsorgt werden.
	Bitte die Dokumentation beachten!
	CE-Kennzeichnung Das Produkt entspricht den Anforderungen der geltenden EU-Richtlinien.
	Zertifizierte Sicherheit Das Produkt wurde vom TÜV getestet und entspricht den Anforderungen des Geräte- und Produktsicherheitsgesetzes der EU.
	RCM-Kennzeichen (Regulatory Compliance Mark) Das Produkt entspricht den Anforderungen der geltenden australischen Normen.
	UKCA-Kennzeichen Das Produkt entspricht den Anforderungen der geltenden Gesetze von England, Wales und Schottland.
	RoHS-Kennzeichen Das Produkt entspricht den Anforderungen der geltenden EU-Richtlinien.

Symbole am Akku	Erklärung
	Vorsicht, Gefahrenzone! Dieses Symbol zeigt an, dass das Akku-Pack zusätzlich geerdet werden muss, wenn am Aufstellort eine zusätzliche Erdung oder ein Potentialausgleich erforderlich ist.
	Verätzungsgefahr
	Explosionsgefahr
	Bitte die Dokumentation beachten!
	Gefahr des Auslaufens von Elektrolyten
	CE-Kennzeichnung Das Produkt entspricht den Anforderungen der geltenden EU-Richtlinien.
	Für den Betrieb bitte die Gebrauchsanweisung konsultieren!
	Bitte Augenschutz tragen!
	Feuer, offenes Licht und Rauchen verboten
	Das Produkt ist außerhalb der Reichweite von Kindern aufzustellen.
 Li-Ion	Das Akku-Pack gehört nicht in den Hausmüll, sondern muss gemäß den örtlichen Entsorgungsvorschriften für Batterien und Akkus entsorgt werden.
	Recyclingcode
<b>UN38.3</b>	Kennzeichnung für Gefahrguttransport Das Produkt erfüllt die Zertifizierungen nach UN38.3.

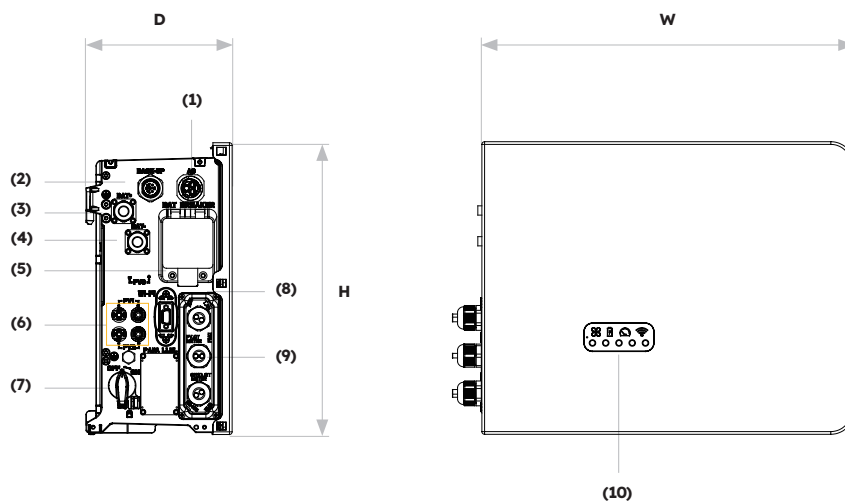
## 3.0 Einführung in das Produkt und Anwendungsszenarien

### 3.1 Einführung in das System



## 3.2. Beschreibung des Wechselrichters

### 3.2.1. Einführung in die elektrische Schnittstelle des Wechselrichters



Position	Beschreibung
1	Netzanschluss
2	Backup-Anschluss
3	Positiver Stromanschluss des Akkus
4	Negativer Stromanschluss des Akkus
5	Akku-Schutzschalter* des Wechselrichters
6	Positiver und negativer PV-Anschluss, PV1/PV2
7	PV-Schalter*
8	WLAN-Anschluss
9	Kommunikation (Anschlüsse CAN/RS485, BMS, LAN, Meter/ Grid-CT, DRM**, PV-CT, AUX)
10	Wechselrichter-LED

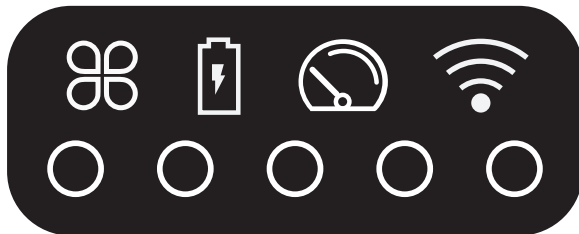
\* Alle Schutzschalter und sonstigen Schalter des Wechselrichters sind bei Anlieferung ausgeschaltet.

\*\* Der DRM ist nur für Regionen mit Sicherheitsvorschriften nach AS/NZS 4777.2 vorgesehen.



### 3.2.2. Oberfläche des Displays des Wechselrichters

In der Anzeigetafel des Wechselrichters gibt es neun LED-Anzeigen.







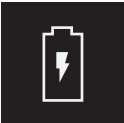



#### Obere LED-Anzeigen

Die vier System-LEDs zeigen Informationen über Status und Betrieb des Systems an

#### Untere LED-Anzeigen

Die fünf LEDs dienen zur Anzeige des Ladezustands des/der Akkus im Normalbetrieb.

Wenn ein Fehler auftritt, dient die Kombination aus oberer und unterer LED zur Anzeige von Fehlercodes, z. B.:







Normaler Status	Beschreibung	Anormaler Status	Beschreibung
 <b>SYSTEM</b>	<b>Weißes Licht</b> System funktioniert normal	 <b>SYSTEM</b>	<b>Rotes Licht</b> System ist fehlerhaft
 <b>STROMZÄHLER</b>	<b>Weißes Licht</b> Datenaustausch mit Stromzähler funktioniert normal	 <b>STROMZÄHLER</b>	<b>Kein Licht</b> Keine Verbindung zum Stromzähler
 <b>AKKU</b>	<b>Weißes Licht</b> Akku funktioniert normal	 <b>AKKU</b>	<b>Kein Licht</b> Akku funktioniert nicht normal
 <b>KOMMUNIKATION</b>	<b>Weißes Licht</b> Server verbunden	 <b>KOMMUNIKATION</b>	<b>Kein Licht</b> Server nicht verbunden

Während eines Software-Downloads und eines Upgrades verhalten sich die LEDs des Wechselrichters jedoch anders:

LED	Während eines Software-Downloads und eines Upgrades
Wechselrichter-LED-Anzeige	Während der Wechselrichter die Datei für ein Firmware-Update herunterlädt, bewegt sich die Anzeige der unteren fünf LEDs von beiden Seiten nach innen zur Mitte. Sobald der Download abgeschlossen ist und das Upgrade beginnt, bewegt sich die Anzeige der unteren fünf LEDs von der Mitte nach außen zu den beiden Seiten.
Akku-LED-Anzeige	Angenommen, die LEDs entsprechen von links nach rechts den Nummern 1 bis 3. Dann blinkt LED Nr. 3 während des Upgrades im schnellen Rhythmus weiß, während die anderen beiden aus sind.

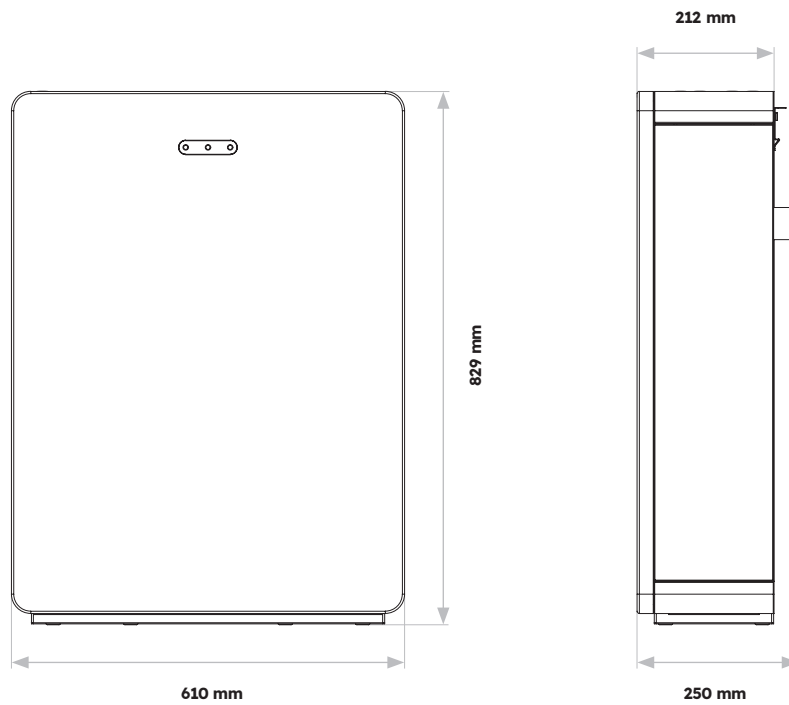
Die unteren LED-Anzeigen an der Vorderseite des Wechselrichters zeigen den Ladezustand (SOC) an. Wenn alle Batterien normal funktionieren, leuchten sie weiß auf oder sind ausgeschaltet.

Während der verschiedenen Ladezustände leuchten die LEDs wie folgt auf:

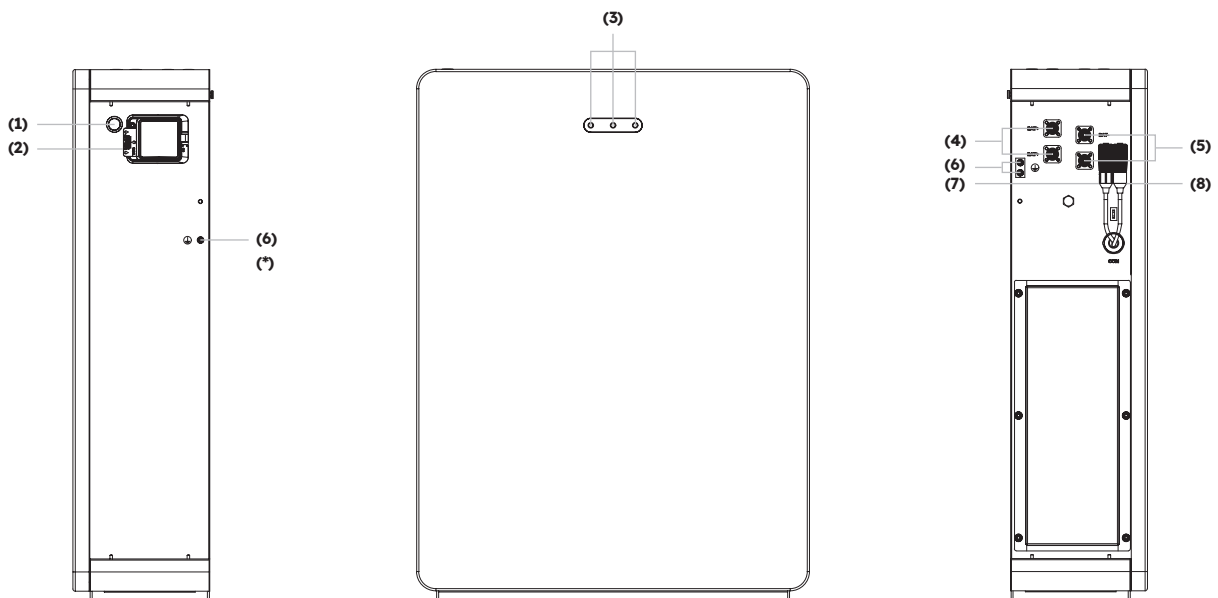
Ladezustand (SOC)	Beschreibung
	$SOC \leq 5,2 \%$
	$5,2 \% < SOC \leq 9,5 \%$
	$9,5 \% < SOC \leq 25,2 \%$
	$25,2 \% < SOC \leq 50 \%$
	$50 \% < SOC \leq 75,2 \%$
	$75,2 \% \leq SOC \leq 100 \%$

### 3.3 Beschreibung des Akkus

Äußere Teile und Abmessungen des Akku-Packs:



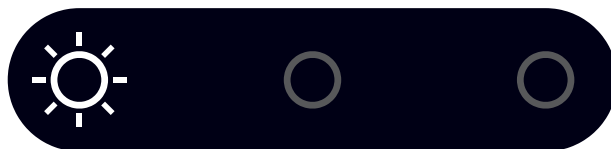
Übersicht über den Anschlussbereich:



Position	Beschreibung
1	Akku-Starttaste
2	Akku-Schutzschalter
3	LED-Anzeige des Akkus
4	Positiver Stromanschluss des Akkus
5	Negativer Stromanschluss des Akkus
6	Erdungsklemme
7	BMS COM (1)
8	BMS COM (2) (mit Abschlusswiderstand)

### LED-Anzeige des Akkus

Die drei LED-Anzeigen an der Vorderseite des Akkus zeigen durch ihren leuchtenden oder blinkenden Status den Ladezustand (SOC) an:



Ladezustand (SOC)	Beschreibung
	SOC ≤ 10 %
	10 % < SOC ≤ 30 %
	30 % < SOC ≤ 50 %
	50 % < SOC ≤ 60 %
	60 % < SOC ≤ 90 %
	90 % < SOC ≤ 100 %

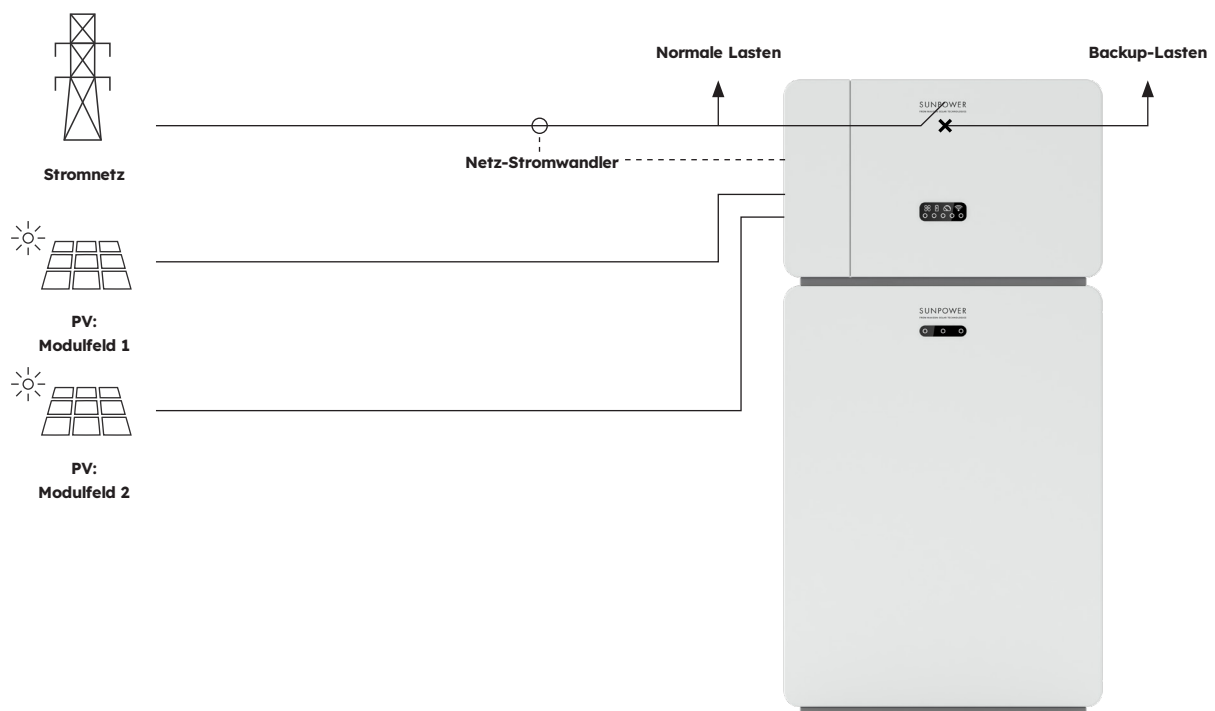
### 3.4 Anwendungsszenarien

Das SunPower Reserve-System ist ein flexibles Speichersystem, welches in den folgenden Szenarien angewendet werden kann:

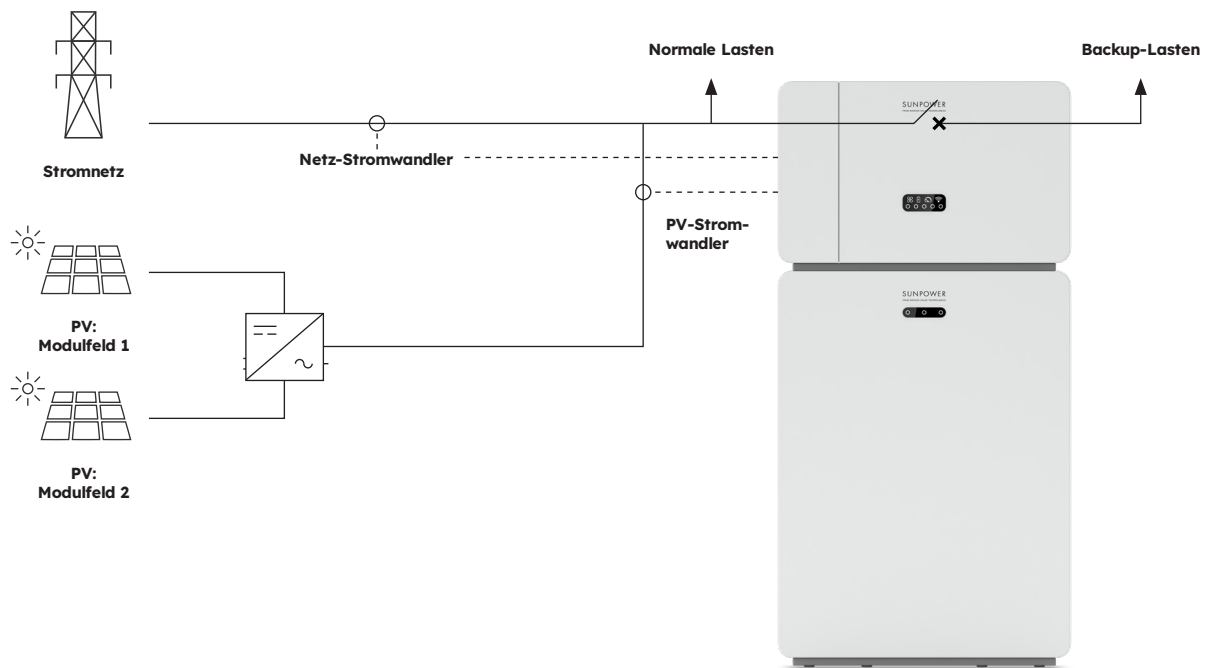
Anwendung	Beschreibung	Vorteile
<b>Gleichstrom</b>	Erstinstallation des PV- Modulfelds. Der Hybrid-Wechselrichter wird sowohl für die Solaranlage als auch für den Akku verwendet.	Kein zusätzlicher Wechselrichter erforderlich.
<b>Wechselstrom</b>	Ein PV-Modulfeld war bereits vorher installiert, oder das PV-Modulfeld wird mit Mikro-Wechselrichtern betrieben. Die Anlage umfasst jeweils einen eigenen Wechselrichter für die Solaranlage und für den Akku.	<ul style="list-style-type: none"> <li>Die Lasten können gleichzeitig vom Akku und von der PV-Anlage fließen.</li> <li>Das Akku-System kann nachgerüstet werden.</li> </ul>
<b>Hybrid</b>	Ein PV-Modulfeld war bereits installiert, und ein neues PV-Modulfeld wird als separate Anlage hinzugefügt. Der Hybrid-Wechselrichter wird sowohl für die neue Solaranlage als auch für den Akku verwendet.	<ul style="list-style-type: none"> <li>Lässt sich an jede bestehende PV-Anlage ankoppeln</li> <li>Erhöht die Systemgröße und Steuerung ohne Änderung an der ursprünglichen PV-Anlage</li> </ul>

Ein Beispiel für jedes dieser Szenarien:

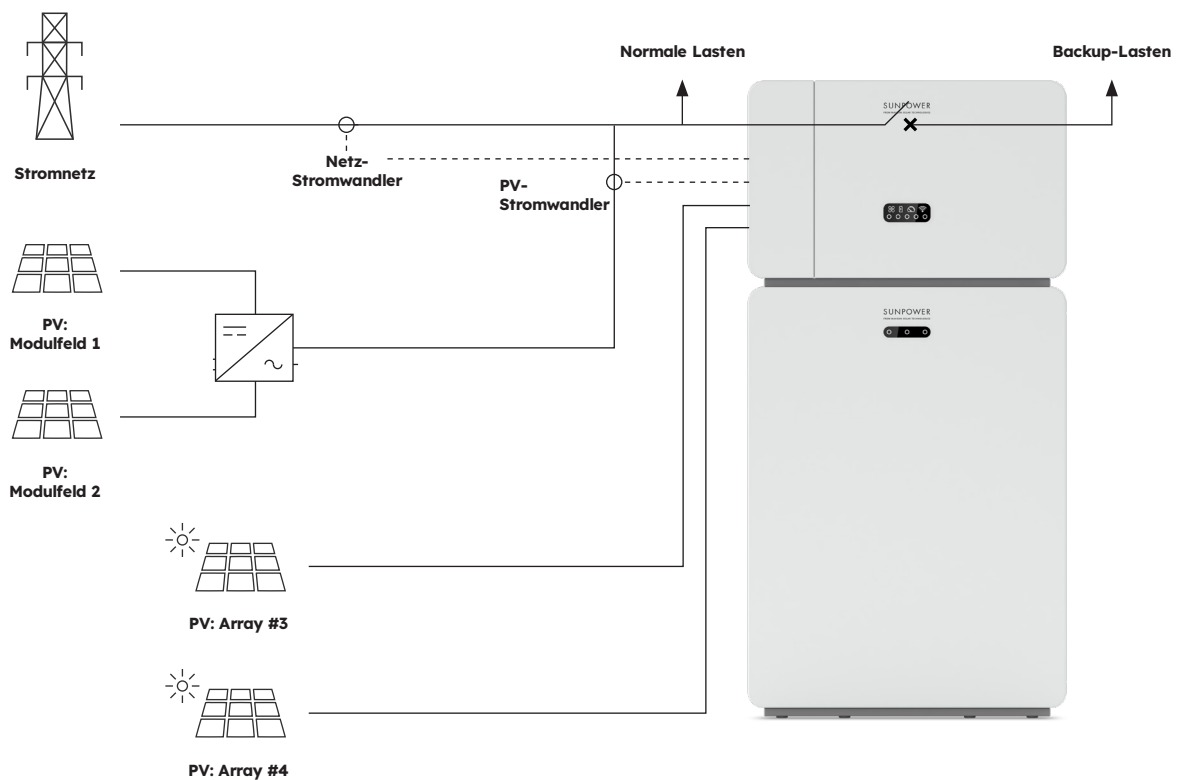
#### 3.4.1. DC-gekoppeltes Speichersystem



### 3.4.2. AC-gekoppeltes Speichersystem



### 3.4.3. Hybridgekoppeltes Speichersystem



## 4.0 Lagerung und Transport

### 4.1. Lagerung

Die folgenden Bedingungen müssen erfüllt sein, wenn der Wechselrichter nicht sofort in Betrieb genommen wird:

Produkt(e)	Anweisungen zur Lagerung
<b>Wechselrichter: RESERVE-INV-1-P5-L1-INT</b>	<ol style="list-style-type: none"><li>1. Der Wechselrichter sollte nicht der Packung entnommen werden.</li><li>2. Die Lagerung muss bei einer Temperatur zwischen -40 °C und +70 °C und einer relativen Luftfeuchte im Bereich von 5 % bis 95 % erfolgen.</li><li>3. Der Wechselrichter muss an einem trockenen und sauberen Ort gelagert und vor Staub und vor Korrosion durch Wasserdampf geschützt werden.</li><li>4. Maximal fünf Wechselrichter dürfen übereinandergestapelt werden. Um Personen- oder Geräteschäden zu vermeiden, sind die Wechselrichter vorsichtig zu stapeln, sodass sie nicht umfallen können.</li><li>5. Während der Lagerung muss der Wechselrichter regelmäßig überprüft werden. Durch Insekten oder Nagetiere beschädigtes Verpackungsmaterial muss rechtzeitig ersetzt werden.</li><li>6. Wurde ein Wechselrichter länger als zwei Jahre gelagert, muss er vor der Inbetriebnahme von Fachleuten überprüft und getestet werden.</li></ol>
<b>Akku: RESERVE-BAT-1-DC-10.1-INT</b>	<ol style="list-style-type: none"><li>1. Während der Lagerung müssen Akkus entsprechend den Angaben auf der Verpackung gelagert werden. Sie dürfen nicht auf dem Kopf oder seitlich gelagert werden.</li><li>2. Bei der Stapelung von mehreren Akku-Verpackungen sind die Stapelanweisungen auf der Außenverpackung zu beachten.</li><li>3. Akku-Packs sind außerhalb der Reichweite von Kindern zu lagern.</li><li>4. Akku-Packs sollten an einem möglichst staubfreien, sauberen Ort gelagert werden.</li><li>5. Akkus müssen vorsichtig behandelt werden, um Schäden zu vermeiden.</li><li>6. Die Lagerumgebung muss folgende Merkmale aufweisen:<ol style="list-style-type: none"><li>a. Umgebungstemperatur: zwischen -10 °C und +55 °C, empfohlene Lagertemperatur: 15 °C bis 30 °C</li><li>b. Relative Luftfeuchte: 15 % bis 85 %</li></ol></li></ol>

- c. Die Akkus sollten an einem trockenen und sauberen Ort mit guter Belüftung gelagert werden.
  - d. In der Nähe des Lagerorts dürfen sich keine ätzenden organischen Lösungsmittel und Gase befinden.
  - e. Akkus dürfen keinem direkten Sonnenlicht ausgesetzt sein.
  - f. Akkus sollten in einem Abstand von mindestens 2 m von Wärmequellen gelagert werden
7. Die gelagerten Akkus dürfen nicht an externe Geräte angeschlossen sein. Falls Anzeigen vorhanden sind, müssen diese ausgeschaltet sein.
  8. Akkus sollten nach dem FIFO-Verfahren („first in, first out“) ausgegeben werden.
  9. Die Lagerverwaltung sollte jeden Monat Informationen über den Akku-Lagerbestand erfassen und regelmäßig an die Planungsabteilung weiterleiten. Nach einer Lagerzeit von knapp sechs Monaten sollten Akkus wieder aufgeladen werden.
  10. Bei einer längerfristigen Lagerung kann die Kapazität von Lithium-Akkus abnehmen. Nach einer 12-monatigen Lagerung bei der empfohlenen Lagertemperatur liegt die Rate des irreversiblen Kapazitätsverlusts eines Lithium- Akkus zwischen 3 % und 10 %. Es wird davon abgeraten, Akkus über einen längeren Zeitraum zu lagern. Wenn die Akkus länger als sechs Monate gelagert werden müssen, wird empfohlen, sie auf 65 % bis 75 % ihrer Ladekapazität aufzuladen

## 4.2. Transport

Während des Transports sind folgende Richtlinien zu beachten:

1. Für den Transport sollte die Originalverpackung verwendet werden.
2. Die Akkus sind mit Vorsicht und entsprechend ihrem Gewicht und mit besonderem Augenmerk auf die Sicherheit zu behandeln.
3. Beim Transport müssen die Akkus vor mechanischen Beschädigungen geschützt und trocken gehalten werden.
4. Auch die Verpackung muss während des Transports gesichert werden, um Schäden zu vermeiden.
5. Örtliche Vorschriften für das Heben schwerer Gegenstände und Sicherheitsrisiken sind zu beachten.



## 5.0 Montage

### 5.1. Prüfung der äußeren Verpackung

Vor dem Auspacken des Produkts sollte die äußere Verpackung auf Schäden wie Löcher und Risse geprüft werden. Wenn ein Schaden sichtbar ist, sollte das Produkt nicht ausgepackt und so schnell wie möglich der Kontakt zum Lieferanten hergestellt werden.

### 5.2. Lieferumfang

Nach dem Auspacken sollten die enthaltenen Komponenten auf Vollständigkeit und äußerlich erkennbare Schäden geprüft werden. Wenn der Lieferumfang unvollständig oder beschädigt ist, sollte so schnell wie möglich der Kontakt zum Lieferanten hergestellt werden.

### 5.3. Mitgelieferte Komponenten

Der Lieferumfang muss die im Folgenden aufgelisteten Komponenten umfassen:

Wechselrichter (RESERVE-INV-1-P5-L1-INT)				
				
RESERVE-INV-1-P5-L1-INT (x 1)	Außenverkleidung OBEN (x 1)	Kabelabdeckung (x 1)	Wechselrichterbasis (x 1)	Ein Paar PV-MC4-Stecker (x 2)
				
WLAN-Modul (x 1)	Netzanschluss (x 1)	BACKUP-Stecker (x 1)	AUX-Stecker (x 1)	Netz-Stromwandler (x 1)
				
PV-Stromwandler (x 1)	Kabel für Netz-Stromwandler (x 1)	Kabel für PV-Stromwandler (x 1)	Positives Stromkabel für Akku (x 1)	Negatives Stromkabel für Akku (x 1)
				
Akku-Kommunikationskabel (x 1)	Schraube M4x10 (x 2)	Schraube M5x12 (x 8)	Schnell-Installationsanleitung	Erdungskabel

## AKKU (RESERVE-BAT-1-DC-10.1-INT)

Akku-Pack (x1)	Seitenverkleidung links (x1)	Seitenverkleidung rechts (x1)	Wandhalterung (x1)	M5x12 (X3)
Begrenzungsklammer (x2)	Satz Kunststoffschrauben (M5x8) (x12)	Kunststoffsperrung (x4)	Wanddübel und Spreizschrauben (x4)	Gabelkabelschuh (x2)
Schnell-Installationsanleitung für Akku (x1)	Kommunikationskabel für Erweiterungs-Akku (x1)	Positives Stromkabel für Erweiterungs-Akku (x1)	Negatives Stromkabel für Erweiterungs-Akku (x1)	Erdungskabel (x1)

## 5.4. Vorbereitung der Werkzeuge und Ausrüstung

Vor der Installation des Geräts müssen folgende Werkzeuge und Sicherheitsausrüstung vorhanden sein:

Werkzeuge/Instrumente und persönliche Schutzausrüstung (PSA)				
				
Bohrhammer (mit $\varnothing 10$ -mm-Bohrer)	Drehmoment-Steckschlüssel M10	Multimeter (Gleichspannungsbereich 0 bis 1000 V)	Seitenschneider	Abisolierzange
				
PH2-Schraubendreher (Drehmomentbereich: 0 bis 5 Nm)	Gummihammer	Universalmesser	Kabelschneider	Crimpwerkzeug
				
Crimpzange	Montageschlüssel für PV-Anlagen	Staubsauger	Schrumpfschlauch	Heißluftpistole
				
Marker	Maßband	Herkömmliche oder digitale Wasserwaage	Atemschutzmaske	Sicherheitsschuhe
				
Sicherheitshandschuhe	Schutzbrille			

## 5.5. Voraussetzungen für die Montage



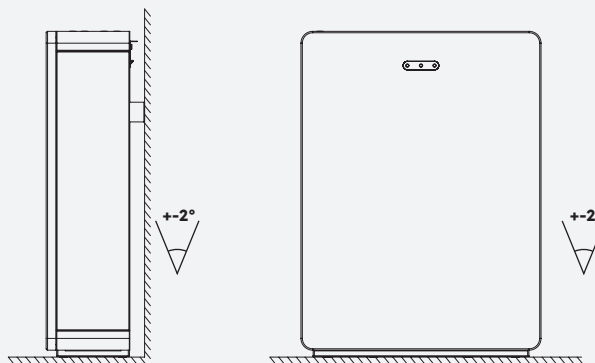
Auch bei der sorgfältigsten Konstruktion können elektrische Geräte Brände auslösen.

- Das Energiespeichersystem darf nicht in der Nähe von leicht entflammaren Materialien oder Gasen aufgebaut werden.
- Ebenso wenig darf es in explosionsgefährdeten Bereichen montiert werden.

Typ	Voraussetzungen
<b>Basis</b>	<ul style="list-style-type: none"> <li>• Das SunPower Reserve-System eignet sich für den Innen- und Außeneinsatz.</li> <li>• Der Wechselrichter sollte nicht an einem leicht zugänglichen Ort installiert werden, da Gehäuse und Abdeckung während des Betriebs sehr heiß werden können.</li> <li>• Das System darf nicht in Bereichen mit entflammaren oder explosiven Materialien montiert werden.</li> <li>• Das System muss außerhalb der Reichweite von Kindern aufgebaut werden.</li> <li>• Das System darf nicht im Freien in salzhaltigen Gebieten montiert werden, da es dort korrodieren und einen Brand verursachen kann. Unter salzhaltigen Gebieten versteht man küstennahe Gebiete (nicht weiter als 500 m vom Meer entfernt) oder Gebiete, die unter dem Einfluss der Meeresbrise stehen.</li> </ul>
<b>Montagebereich</b>	<ul style="list-style-type: none"> <li>• Das System muss in einer gut belüfteten Umgebung montiert werden, um eine gute Wärmeabfuhr zu gewährleisten.</li> <li>• Es darf nicht an Orten montiert werden, an denen es Sonnenlicht ausgesetzt ist, da die zusätzliche Wärme die Systemleistung beeinträchtigen kann.</li> <li>• Das System sollte an einem geschützten Ort montiert werden, oder es sollte ein Sonnenschutz darüber gespannt werden.</li> <li>• Das Akku-Pack darf nicht der Sonne ausgesetzt sein. Sein optimaler Temperaturbereich liegt zwischen 15 °C und 30 °C.</li> <li>• Zudem darf es nicht mit Wasser in Berührung kommen oder in der Nähe von Wasserquellen wie Fallrohren oder Sprinkleranlagen aufgestellt werden.</li> <li>• Wenn das Akku-Pack in einem von Fahrzeugen befahrenen Bereich montiert wird, muss es mit einem mechanischen Schutz vor Fahrzeugen geschützt werden.</li> </ul>
<b>Montagestruktur</b>	<ul style="list-style-type: none"> <li>• Die Montageoberfläche darf die Ausbreitung von Feuer nicht begünstigen.</li> <li>• Es muss sichergestellt werden, dass der Montageboden fest ist und das Gewicht des Systems trägt.</li> </ul>

### Montagewinkel und -anordnung

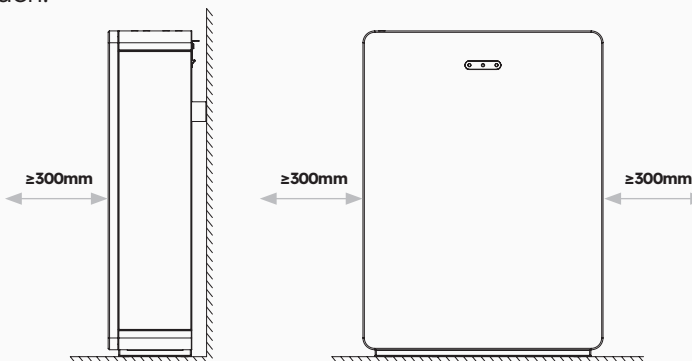
- Der Wechselrichter sollte auf dem Akku montiert werden. Der erforderliche Installationswinkel beträgt:



- Der Akku darf nicht in einer nach vorne oder seitlich geneigten bzw. einer horizontalen oder umgedrehten Position montiert werden.

### Montagebereich

- Um das Produkt muss ausreichend Abstand eingehalten werden, damit Platz für Installation, Wartung und Wärmeabfuhr vorhanden ist.
- Der seitliche Abstand ist eine Empfehlung. Wenn er keinen Einfluss auf Betrieb und Wartung hat, kann er so gering wie möglich gehalten werden.

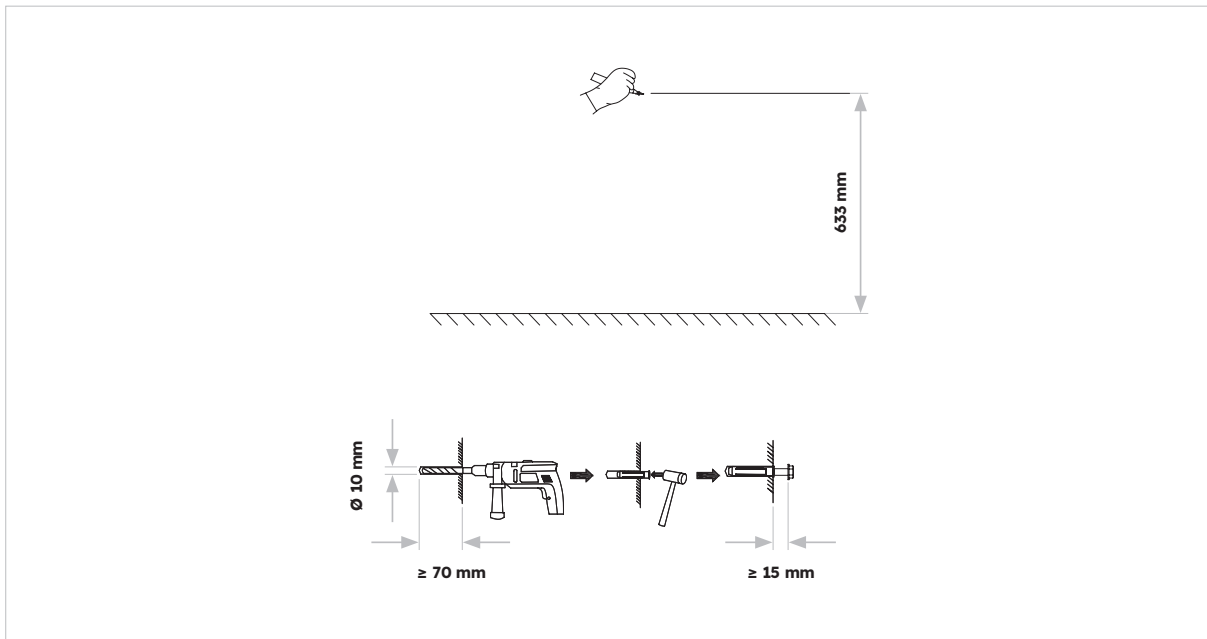


## 5.6 Montage des Energiespeichersystems

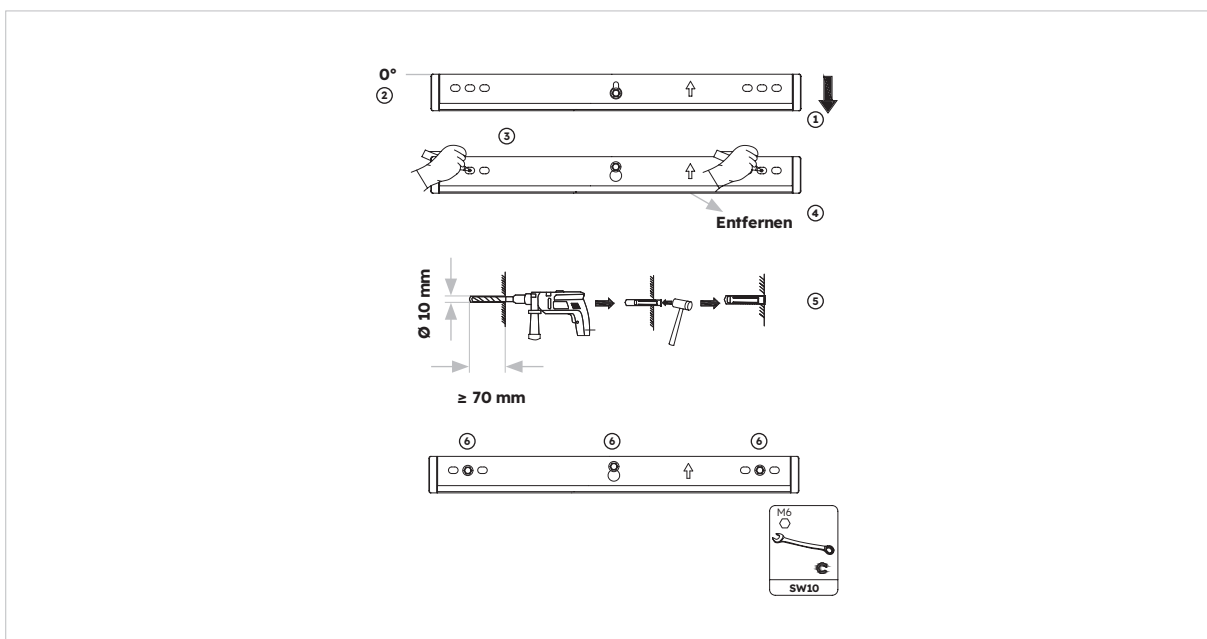
### 5.6.1. Montage des Akkus

#### Anleitung zur Montage des Akkus:

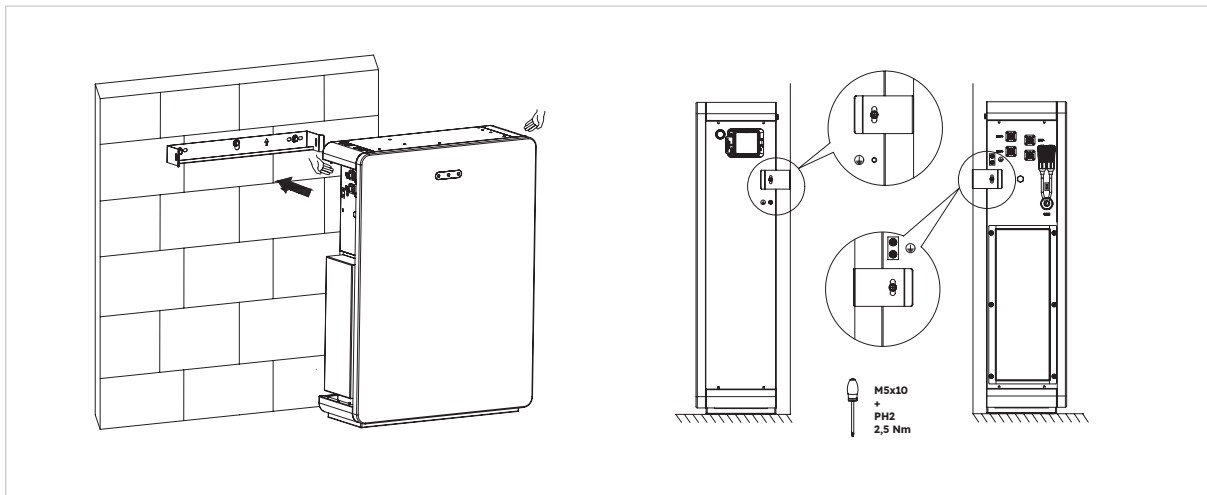
1. Entnehmen Sie den Akku dem Karton, und transportieren Sie ihn mit einem geeigneten Handwagen mit Sicherungsvorrichtung zum Aufstellort.



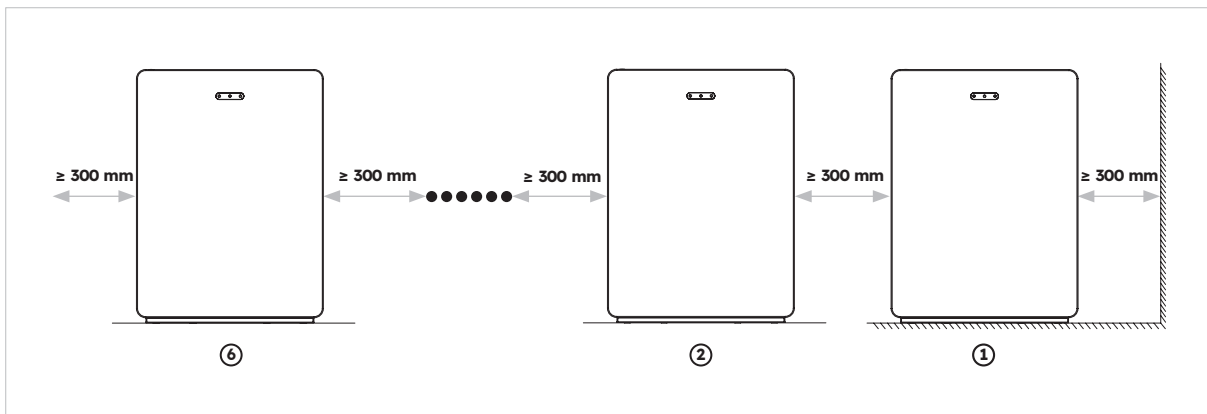
2. Markieren Sie die Löcher und bringen Sie die Wandhalterung an. Vergewissern Sie sich, dass der Untergrund unter den Akkus fest und eben ist.



3. Befestigen Sie den Akku mit den beiden M5x10-Schrauben an der Wandhalterung.



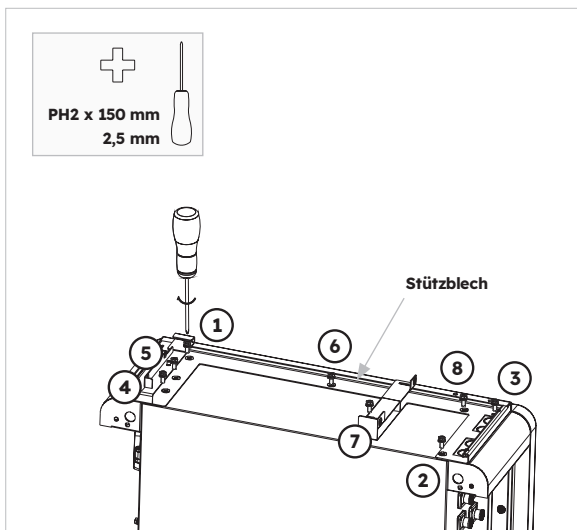
4. Gehen Sie zur Montage zusätzlicher Akkus (max. sechs Geräte) wie folgt vor:



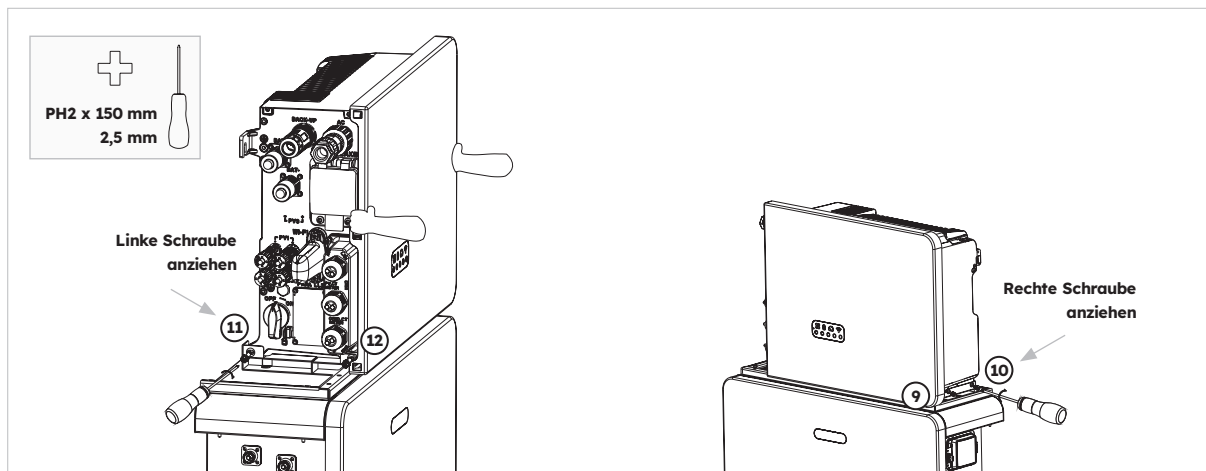
## 5.6.2. Montage des Wechselrichters

Anleitung zur Montage des Wechselrichters:

1. Platzieren Sie die Basis des Wechselrichters auf die Oberseite des Akkus, und befestige ihn.



2. Befestigen Sie den Wechselrichter an den Seiten der Basis des Wechselrichters und ziehen Sie die linken Schrauben fest:



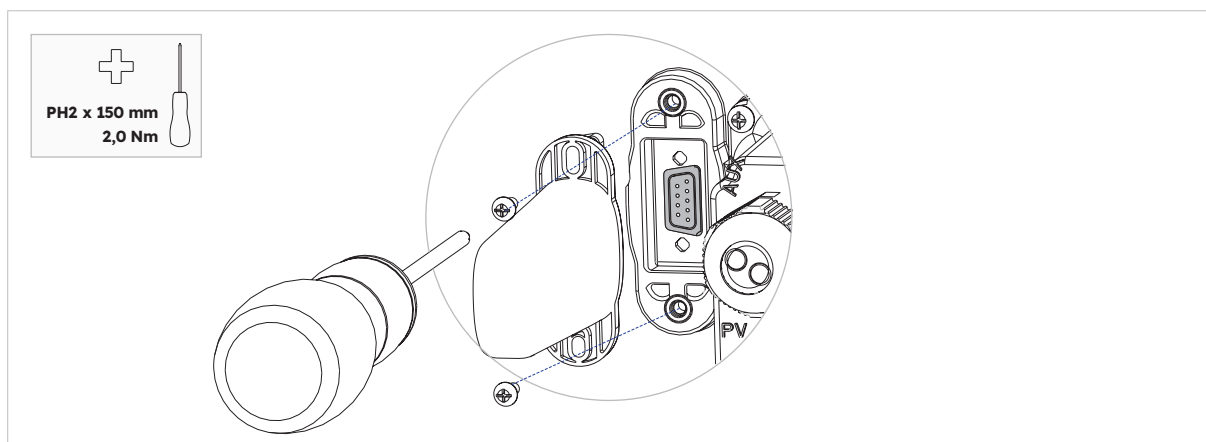
### 5.6.3. Montage des WLAN-Moduls

Anleitung zur Montage des Wechselrichters

1. Entfernen Sie die WLAN-Staubschutzabdeckung von der linken Seite des Wechselrichters



2. Bringen Sie das WLAN-Modul mit den beiden M4x10-Schrauben an



Hinweis: Möglicherweise ist es einfacher, den WLAN-Dongle zum Schluss zu installieren, um einen leichteren Zugang zu den Anschlussbuchsen für die Stromkabel zu haben.



## 6.0 Elektrischer Anschluss



**GEFAHR**

Durch falsche Kabelverbindungen verursachte Schäden am Energiespeichersystem sind nicht von der Garantie abgedeckt. Die Kabelverbindungen dürfen nur von Elektrofachkräften vorgenommen werden. Das Betriebspersonal muss beim Anschließen von Kabeln eine geeignete persönliche Schutzausrüstung (PSA) tragen.



**GEFAHR**

Vergewissern Sie sich vor dem Anschließen von Kabeln, dass alle Unterbrecher und Schalter des Energiespeichersystems auf AUS gestellt sind. Andernfalls kann es zu durch Spannung verursachten Stromschlägen kommen.



**VORSICHT**

Die Kabelfarben in den elektrischen Anschlussdiagrammen in diesem Kapitel dienen nur der Veranschaulichung. Wähle die Kabel entsprechend den örtlichen Kabelspezifikationen aus (grün-gelbe Kabel werden nur für Schutzleiter verwendet).

### 6.1. Kabelvoraussetzungen für den Anschluss

Nr.	Kabel	Typ	Querschnittsfläche des Leiters	Äußerer Durchmesser	Herkunft
1	Akku-Stromkabel mit Wechselrichter	Standard-PV-Kabel in der Branche	16 mm <sup>2</sup>	N/V	Im Lieferumfang des Wechselrichters enthalten
2	Akku-Kommunikationskabel mit Wechselrichter	Standard-Netzwerkkabel in der Branche	0,12 bis 0,20 mm <sup>2</sup>	N/V	Im Lieferumfang des Wechselrichters enthalten
3 <sub>1</sub>	Signalkabel	Standard-Netzwerkkabel in der Branche	0,12 bis 0,20 mm <sup>2</sup>	N/V	Im Lieferumfang des Wechselrichters enthalten
4	PV-Stromkabel	Standard-PV-Kabel in der Branche (empfohlener Typ: PV1-F)	4 bis 6 mm <sup>2</sup>	5,5 bis 9 mm	Gekauft vom Installationspartner
5 <sub>2</sub>	Signalkabel	Standard-Netzwerkkabel in der Branche (empfohlener Typ: C-Bus-Kabel)	0,12 bis 0,20 mm <sup>2</sup>	4 bis 6 mm	Gekauft vom Installationspartner

6 <sub>3</sub>	Signalkabel	Mehradriges abgeschirmtes Twisted-Pair-Kabel für den Außenbereich	0,1 ~ 1,3 mm <sup>2</sup>	4 bis 6 mm	Gekauft vom Installationspartner
7	Wechselstromkabel für Backup	Dreiadriges (L, N und PE) Kupferkabel für Außenbereich	4 bis 6 mm <sup>2</sup>	10 bis 14 mm	Gekauft vom Installationspartner
8	Stromkabel für den Netzanschluss	Dreiadriges (L, N und PE) Kupferkabel für Außenbereich	6 – 10 mm <sup>2</sup>	14 mm	Gekauft vom Installationspartner
9	PE-Kabel	Einadriges Kupferkabel für den Außenbereich	4 - 10 mm <sup>2</sup>	N/V	Gekauft vom Installationspartner
10	Stromkabel für Erweiterungs-Akku	Standard-PV-Kabel in der Branche	16 mm <sup>2</sup>	N/V	Im Lieferumfang des Akkus enthalten
11	Kommunikationskabel für Erweiterungs-Akku	Standard-Netzwerkkabel in der Branche (empfohlener Typ: C-Bus)	0,12 bis 0,20 mm <sup>2</sup>	N/V	Im Lieferumfang des Akkus enthalten

<sup>1</sup> Für die Kommunikationsverbindung zwischen Stromwandler und Wechselrichter.

<sup>2</sup> Zur Verbindung des Wechselrichters über die Kommunikationsanschlüsse CAN/RS485, LAN, Meter und DRM.

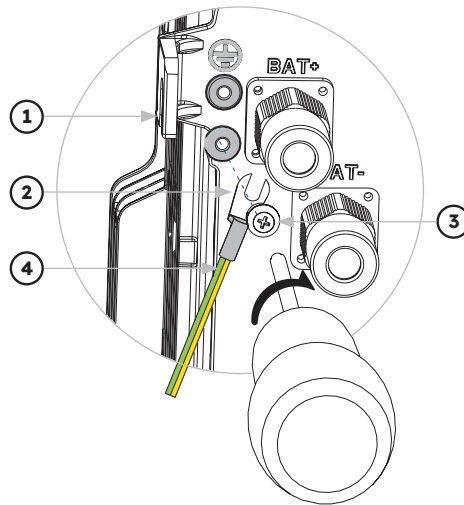
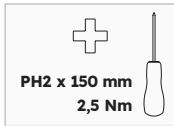
<sup>3</sup> Für die AUX-Kommunikationsverbindung mit dem Wechselrichter.

## 6.2 Anschluss einer zusätzlichen Erdung



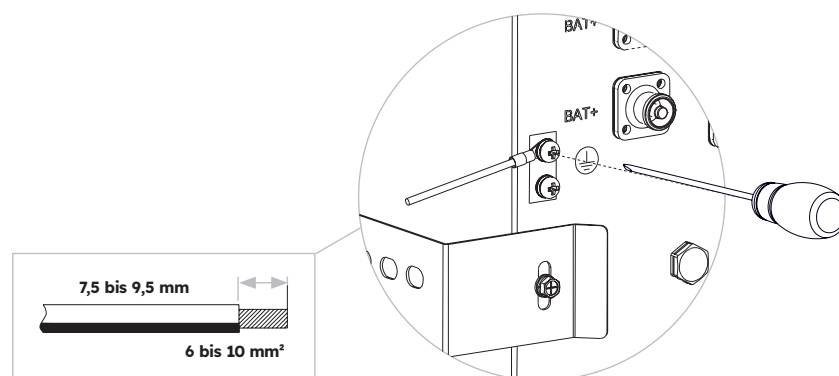
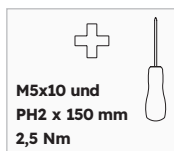
**Stromschlaggefahr:** Bevor der elektrische Anschluss hergestellt wird, muss sichergestellt werden, dass der PV-Schalter und alle AC- und BAT-Schutzschalter im Energiespeichersystem ausgeschaltet sind und nicht wieder eingeschaltet werden können.

Oben links am Wechselrichter befindet sich ein externer Erdungspunkt. Bereite M5-OT-Klemmen vor, entfernen Sie die Isolierung am Erdungskabel, führen Sie den abisolierten Teil des Erdungskabels in den Ringkabelschuh ein, und befestigen Sie ihn mit einer Crimpzange. Zusätzlicher Erdungsanschluss für den Wechselrichter:



Position	Bezeichnung
1	Gehäuse
2	M5-Kabelschuh mit Schutzleiter
3	M5x12-PH2-Kopfschraube
4	PE-Kabel

Erdungsanschluss für den Akku:



## 6.3. Wechselstrom-Anschluss

### 6.3.1. Voraussetzungen für den Wechselstrom-Anschluss



**Fehlerstromüberwachung:** Während des Betriebs des Wechselrichters ist kein externer FI-Schalter erforderlich. Wenn aufgrund von örtlichen Vorschriften ein FI-Schalter oder ein hybridgekoppeltes Speichersystem mit großer Kopplungskapazität von PV-Modulfeld und PV-Wechselrichter verwendet werden muss, ist Folgendes zu beachten: Der Wechselrichter ist kompatibel mit FI-Schaltern vom Typ A mit einem Bemessungsfehlerstrom von 100 mA oder höher. Jeder Wechselrichter im System muss mit einem eigenen FI-Schalter an das Stromnetz angeschlossen werden.



**Schutzgeräte:** Jeder Wechselrichter muss mit einem eigenen Netz-/ Backup-Schutzschalter abgesichert werden, damit der Wechselrichter sicher abgeschaltet werden kann.

Für das Wechselstromkabel gelten folgende Voraussetzungen:

- Leitertyp: Kupferdraht
- Außendurchmesser: 9 mm bis 18 mm für den Netzanschluss, 10 mm bis 14 mm für den Backup-Anschluss
- Empfehlung für die Querschnittsfläche des Leiters: 10 mm<sup>2</sup> für den Netzanschluss, 6 mm<sup>2</sup> für den Backup-Anschluss
- Abisolierlänge: 10 mm
- Abmantellänge: 50 mm

### 6.3.2. Auswahl eines geeigneten AC-Schutzschalters



Die maximal zulässige Spezifikation des Netzschutzschalters beträgt **50 A** bei einem Kupferleiterquerschnitt für den Netzanschluss von **10 mm<sup>2</sup>**. **Dabei sind die Faktoren, die die Strombelastbarkeit des Kabels beeinflussen, sowie andere Einflüsse auf die Dimensionierung zu beachten.** Es wird empfohlen, die App (SunPower One) oder die Installationsplattform (SunPower One-Installations-Dashboard) zu verwenden, um die korrekte Einstellung auszuwählen, wenn die Spezifikation des Netzschutzschalters 32 A oder 40 A lautet, da andernfalls das Risiko steigt, dass der Schutzschalter unter normalen Betriebsbedingungen ausgelöst wird.



Die maximal zulässige Spezifikation des Netzschutzschalters beträgt **40 A** bei einem Kupferleiterquerschnitt für den Netzanschluss von **6 mm<sup>2</sup> (in einigen Ländern: 8 mm<sup>2</sup>)**. **Dabei sind die Faktoren, die die Strombelastbarkeit des Kabels beeinflussen, sowie andere Einflüsse auf die Dimensionierung ernsthaft zu beachten.** Es wird empfohlen, die App (SunPower One) oder die Installationsplattform (SunPower One-Installations-Dashboard) zu verwenden, um die korrekte Einstellung auszuwählen, wenn die Spezifikation des Netzschutzschalters 32 A oder 40 A lautet, da andernfalls das Risiko steigt, dass der Schutzschalter unter normalen Betriebsbedingungen ausgelöst wird.

Die allgemeinen Anforderungen zur Auswahl von Schutzschaltern sind von den Normen und länderspezifischen Bestimmungen abhängig. Die folgenden, allgemein gültigen Einflussfaktoren sind bei der Auswahl eines geeigneten Schutzschalters zu berücksichtigen:

- Faktoren, die die Strombelastbarkeit des Kabels beeinflussen: Art des verwendeten Kabels, Umgebungstemperatur rund um das Kabel, Art der Kabelführung, Bündelung der Kabel.
- Weitere Einflüsse auf die Dimensionierung: Schleifenimpedanz, gegenseitige Erwärmung von Schutzschaltern, Umgebungstemperatur am Schutzschalter, Selektivität, Art des angeschlossenen Geräts.

Wenn diese Faktoren nicht berücksichtigt werden, erhöht sich das Risiko, dass der Schutzschalter unter normalen Betriebsbedingungen ausgelöst wird.

Beschreibung	Max. Stromstärke	Größe des Schutzschalters für RESERVE-INV-1-P5-L1-INT
Netzseite	43,5 A	32/40/50 A
Backup-Seite	21,7 A	32 A

### 6.3.3. Netz- und Backup-Anschluss

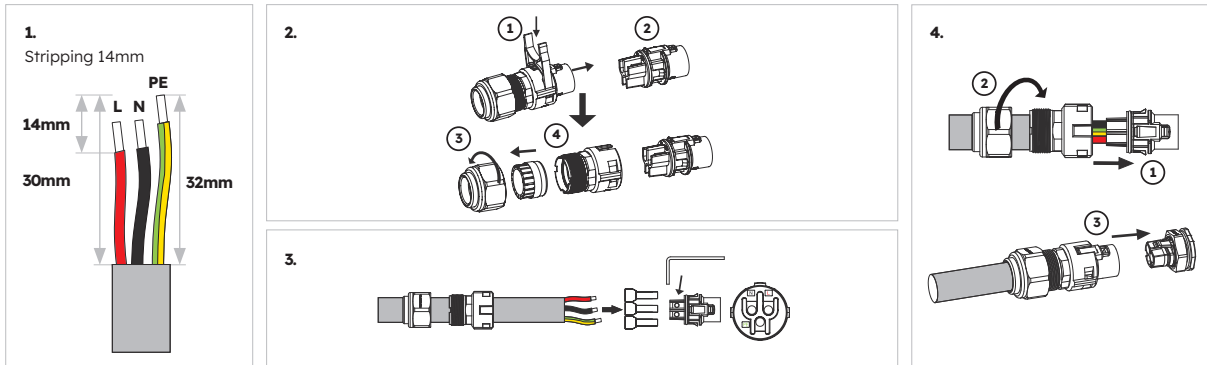
#### Anleitung zum Netz- und Backup-Anschluss:

1. Schalten Sie die Schutzschalter aus, und ergreifen Sie Maßnahmen, damit sie nicht wieder eingeschaltet werden können.
2. Entmanteln Sie das Wechselstromkabel auf einer Länge von 50 mm.
3. Kürze L und N um jeweils 2 mm, sodass der Erdungsleiter um 2 mm länger ist. Dadurch wird sichergestellt, dass der Erdungsleiter bei einer Zugbelastung als letzter aus der Schraubklemme gezogen wird.
4. Entfernen Sie die Isolierung von L, N und Erdungsleiter auf jeweils 10 mm.
5. Versehen Sie L, N und PE bei feindrahtigen Litzen mit Aderendhülsen.
6. Montieren Sie den AC-Stecker ab, und schließen Sie die Leiter an den AC-Stecker an.
7. Vergewissern Sie sich, dass alle Leiter fest mit dem AC-Stecker verbunden sind, und montieren Sie den AC-Stecker wieder an.
8. Stöpseln Sie den Netzstecker in die Buchse für den Netzanschluss. Richten Sie den Netzanschluss dabei so aus, dass die Passfeder an der Netzanschlussbuchse des

Wechselrichters in die Passfedernut am Buchseneinsatz des Netzanschlusses greift.

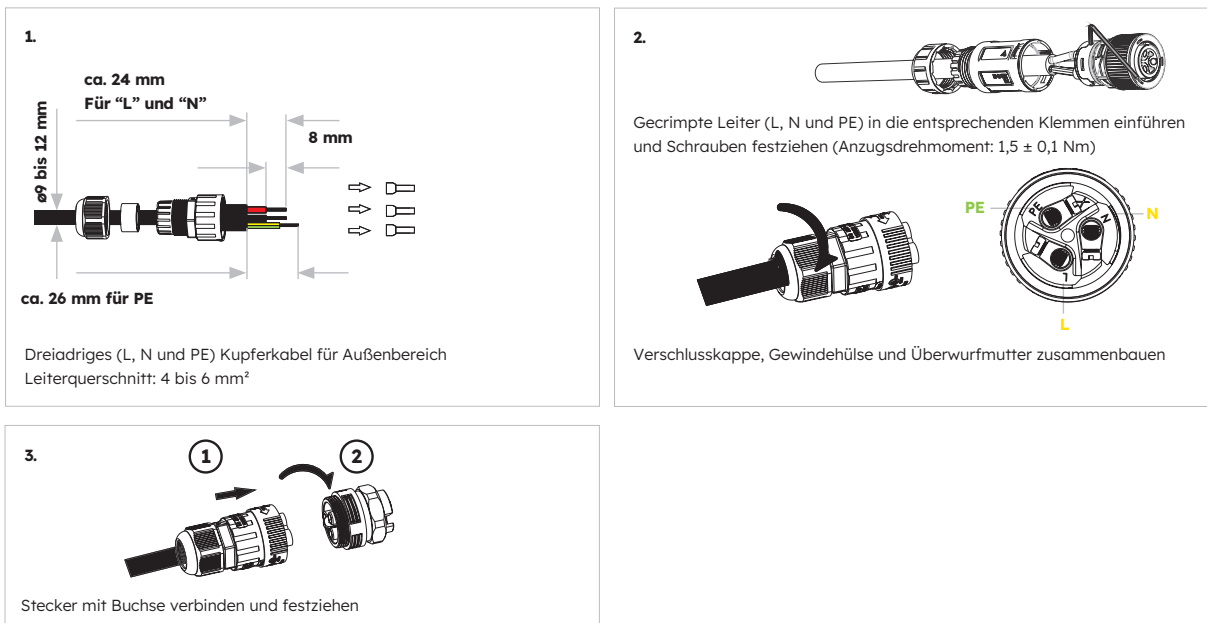
- Stecken Sie den Backup-Stecker für den Backup-Anschluss in die Backup-Buchse des Wechselrichters, und ziehen Sie ihn im Uhrzeigersinn fest an.

### Anschluss des Netzsteckers:



Vergewissern Sie sich, dass der Stecker richtig installiert ist.

### Anschluss des Backup-Steckers:



Vergewissern Sie dich, dass der Stecker richtig installiert ist.



Für Installationen in Australien und Neuseeland: Der Neutraleiter wird intern zwischen Netz- und Backup-Anschluss des Wechselrichters geschaltet. Der Neutraleiter des Backup-Anschlusses muss mit der Neutralschiene am Installationsort verbunden werden.

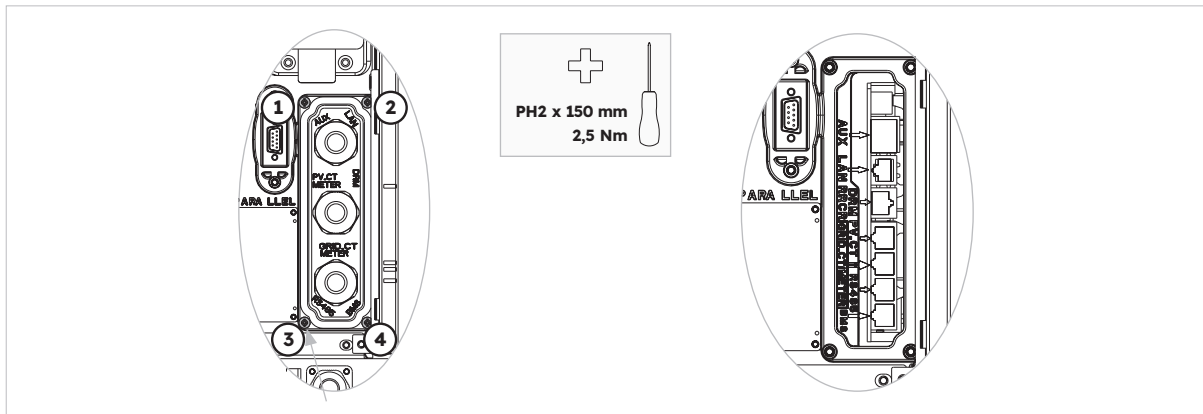
## 6.3.4. Nennstrom des Stromwandlers

Komponente	Stromstärke	Szenarien
CT	100 A	CT

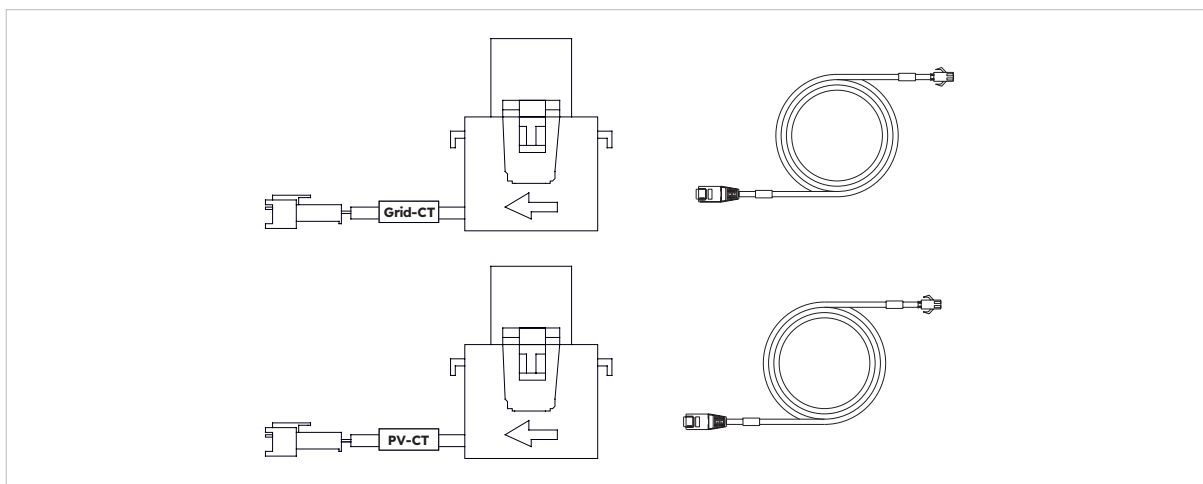
## 6.3.5. Anschluss des Stromwandlers

### Anweisungen zum Anschluss des Stromwandlers:

1. Lösen Sie die Überwurfmutter der Kabelverschraubungen an der Abdeckung des COM-Anschlusses des Wechselrichters und drehen Sie die vier Schrauben in den Ecken heraus. Nun sehen Sie die Kommunikationsanschlüsse „Grid CT“, „PV CT“ und „Meter“. Die Schrauben in der Abdeckung lassen.



2. Leg dir den Netz-Stromwandler und den PV-Stromwandler (im Lieferumfang enthalten) bereit.



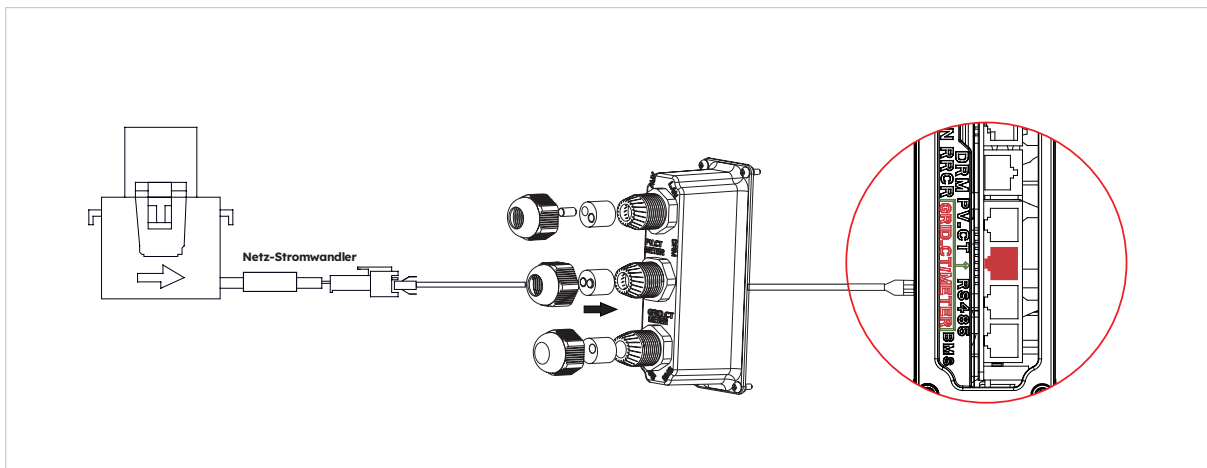
3. Führen Sie das CT-Kabel durch die Kabelverschraubung an der Abdeckung des COM-Anschlusses. Ziehen Sie die Überwurfmutter der Kabelverschraubungen noch nicht fest.
4. Verbinden Sie die RJ45-Stecker mit den entsprechenden RJ45-Buchsen.
5. Bringen Sie den Magnetverschluss des Netz-Stromwandlers am stromführenden Kabel des Hausanschlusses an. Der Pfeil am Magnetverschluss des Netz-Stromwandlers muss zum Netzanschluss des Wechselrichters zeigen.

6. Für hybride oder AC-gekoppelte Speichersysteme: Bringen Sie den Magnetverschluss des PV-Stromwandlers am stromführenden Kabel des installierten PV-Wechselrichters an. Der Pfeil am Magnetverschluss des PV-Stromwandlers muss zum Hauptstromnetz zeigen.
7. Schließen sie die CT-Kabel an den Netz-Stromwandler bzw. den PV-Stromwandler an.

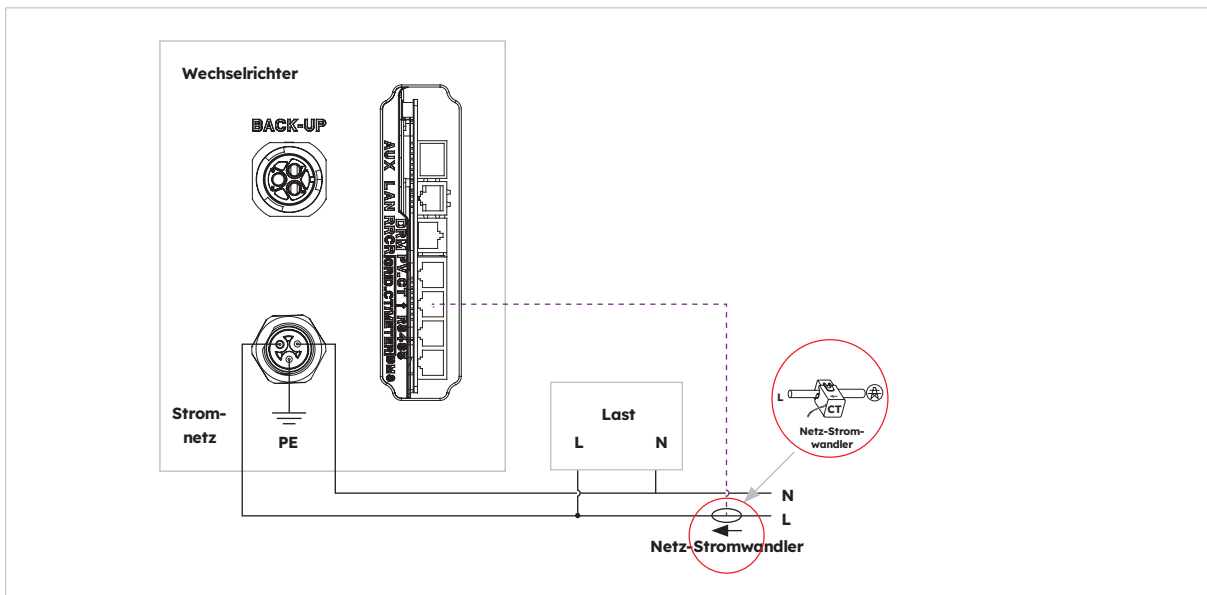


**TIPP**

Das CT-Kabel mit der Kennzeichnung „Grid CT“ muss an den Netz-Stromwandler und das CT-Kabel mit der Kennzeichnung „PV CT“ an den PV-Stromwandler angeschlossen werden.

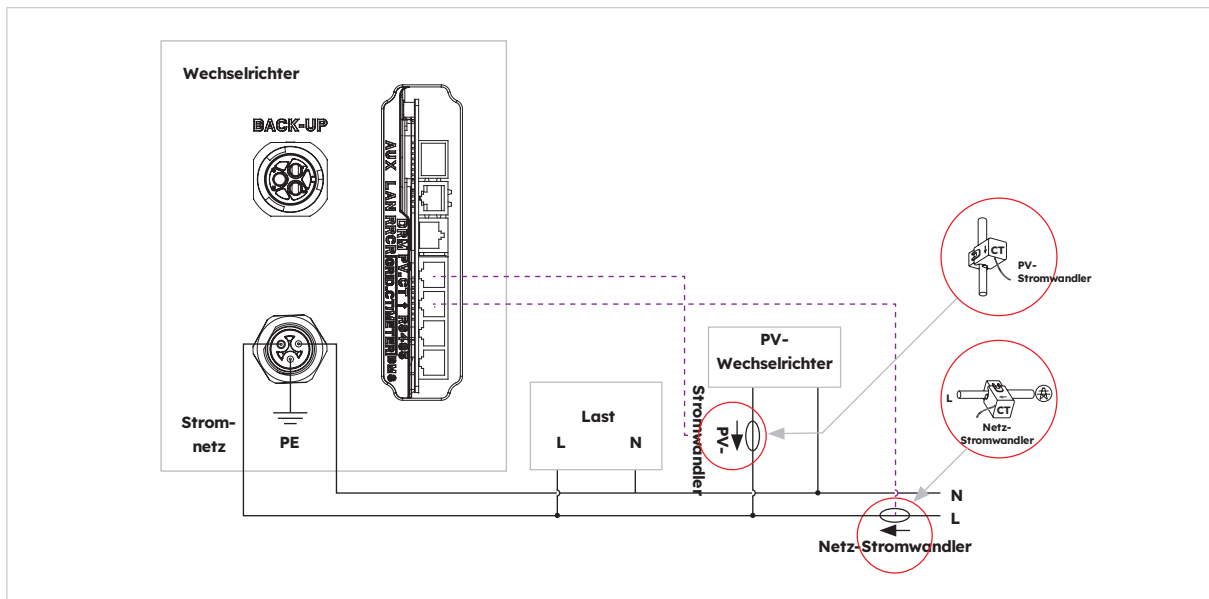


### Anordnung des Stromwandlers in einem DC-gekoppelten Speichersystem





## Anordnung des Stromwandlers in einem AC-gekoppelten und einem hybriden Speichersystem



### 6.3.6. Anschluss des Stromzählers

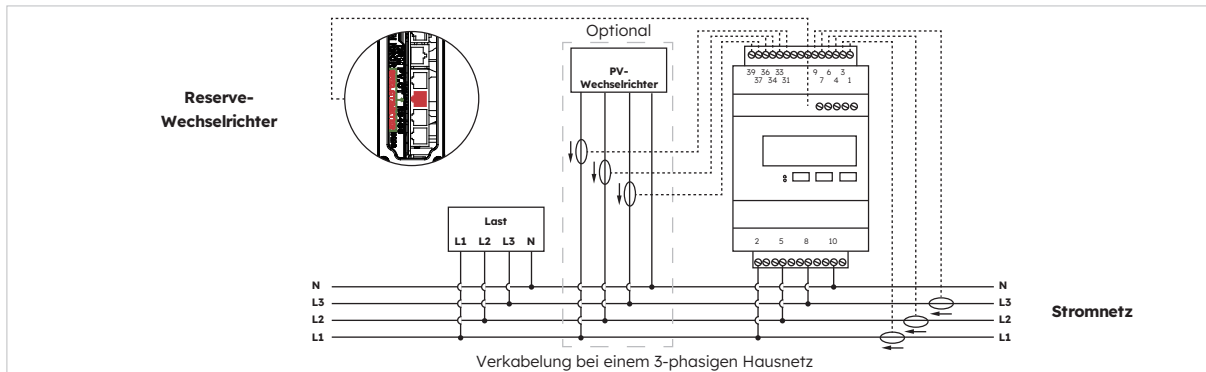
Das System unterstützt einen externen SunPower Reserve-Stromzähler. Der Zähler kann bei einer 4-adrigen 1-, 2- oder 3-Phasen-Netzstromversorgung (220-240 V 1200) installiert werden.

Die Installation eines SunPower Reserve-Stromzählers wird empfohlen, wenn die Netzmessstelle weiter als 20 Meter vom SunPower Reserve-System entfernt ist. Der Abstand eines SunPower Reserve-Stromzählers zum SunPower Reserve-System kann bis zu 80 Meter betragen. Der Anschluss erfolgt mittels RS485-Verkabelung.

Zum Lieferumfang des SunPower Reserve-Stromzählers gehören sechs 100 A-Stromwandler. Drei sind für die Überwachung des Stromnetzes und drei für die Überwachung eines PV-Wechselrichters vorgesehen. Der Stromzähler ist anwenderspezifisch für die Kommunikation mit dem SunPower Reserve-System programmiert.

Die Installation aller sechs Stromwandler ist optional. Für eine Installation mit einer 3-Phasen-Stromversorgung und einem PV-Wechselrichter an einer Phase sind beispielsweise nur vier Stromwandler erforderlich. Drei Netz-Stromwandler würden zur Überwachung des Stromnetzes installiert und ein PV-Stromwandler würde zur Überwachung eines PV-Wechselrichters installiert. Weitere Informationen sind den Schaltplänen zu entnehmen.

## Drei-Phasen-Stromzähler (mit sechs Stromwandlern): Anschluss und Ausrichtung der Stromwandler

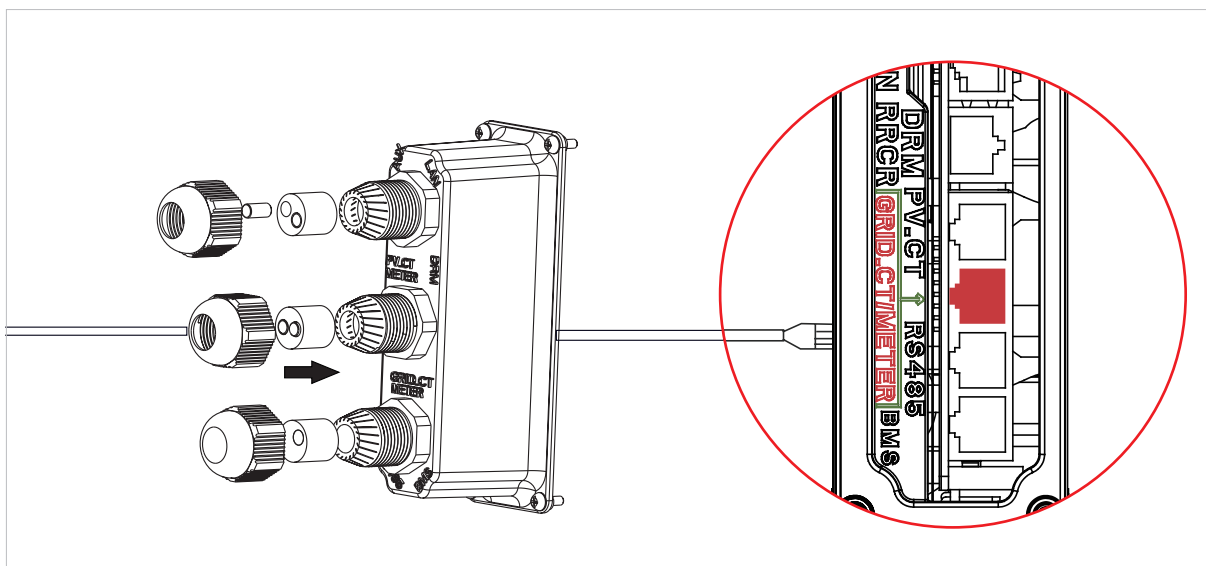


### Identifizierung der Stromwandler-Verkabelung

Zum Lieferumfang des Stromzählers gehören sechs Stromwandler, die wie in der Tabelle angegeben gekennzeichnet sind. Zudem ist der Tabelle zu entnehmen, wie die Stromwandler an die Klemmen des Stromzählers angeschlossen werden.

	Netz-Stromwandler			PV-Stromwandler			Stromnetz	
Phase	Kennzeichnung	Kabelfarbe	Zählerklemme	Kennzeichnung	Kabelfarbe	Zählerklemme	Kennzeichnung	Zählerklemme
L1	IA*	Weiß	1	IA*	Weiß	31	L1	2
	IA	Blau	3	IA	Blau	33	L2	5
L2	IB*	Weiß	4	IB*	Weiß	34	L3	8
	IB	Blau	6	IB	Blau	36	N	10
L3	IC*	Weiß	7	IC*	Weiß	37		
	IC	Blau	9	IC	Blau	39		

### Anschluss an den Wechselrichter



## Einstellung in der SunPower One-App für die Inbetriebnahme des Stromzähler

Bei der Inbetriebnahme muss anstelle des Standardwertes „CT“ die Einstellung „Meter“ für die Stromzähler-Option ausgewählt werden.

### Problembeseitigung

Last wird nicht korrekt gemessen	Schalten Sie die PV-Anlage aus. Löse L2 und L3 vom Netz-Stromwandler. Überprüfen Sie mit einer Stromzange, dass die Messung mit den Echtzeit- Daten im Webportal übereinstimmt. Ist dies nicht der Fall, vergewissern Sie sich, dass die Spannungsversorgungsklemmen des Stromzählers (2, 5, 8, 10) korrekt angeschlossen sind: L1 muss an Stift 2 des Stromzählers und Neutral an Stift 10 angeschlossen sein. Überprüfen Sie den Anschluss des Stromwandlers. Wiederholen Sie die Prüfung für jede Phase.
Stromwandler werden nach der Installation nicht genutzt	Stromwandler werden nur benötigt, wenn eine Messung erforderlich ist, z. B. wenn ein 1-phasiger PV-Wechselrichter an L2 installiert ist, ist ein PV-Stromwandler für L2 erforderlich. Für L1 und L3 werden dann keine PV-Stromwandler benötigt.
Niedrige Messungen an L2 und L3	Vergewissern Sie sich, dass alle Versorgungsphasen an den Stromzähler angeschlossen sind, z. B. müssen bei einer 3-phasigen Installation die Zählerklemmen 5 und 8 an L2 und L3 angeschlossen sein.

## 6.4 Anschluss der PV-Anlage

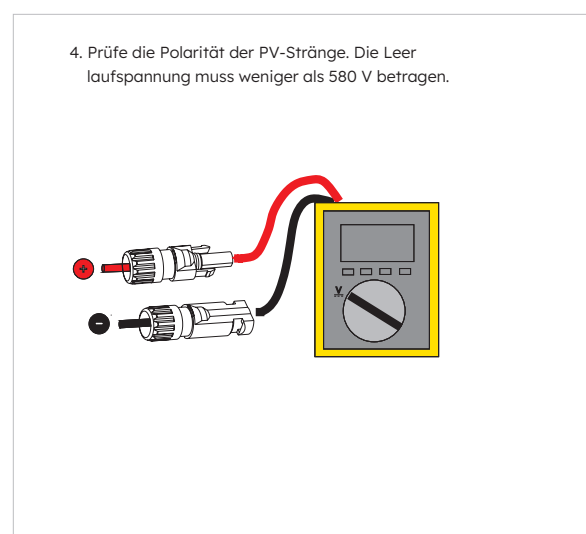
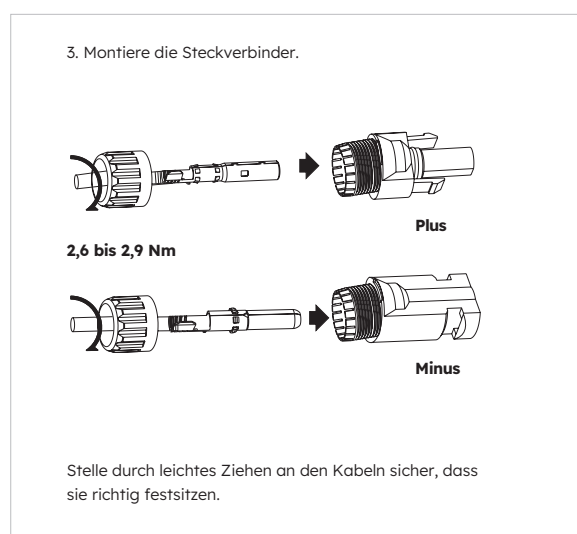
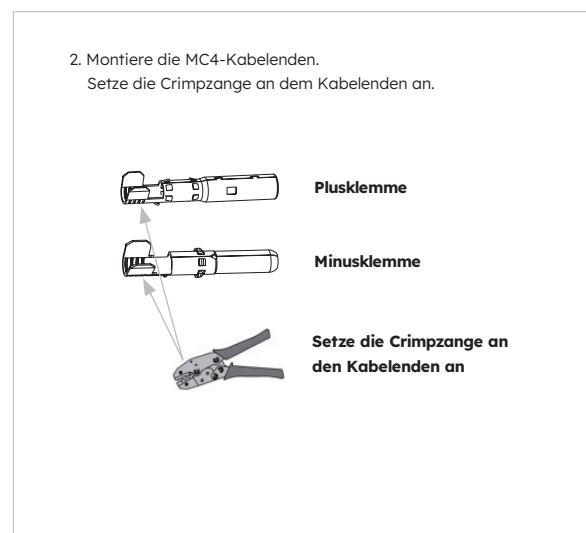
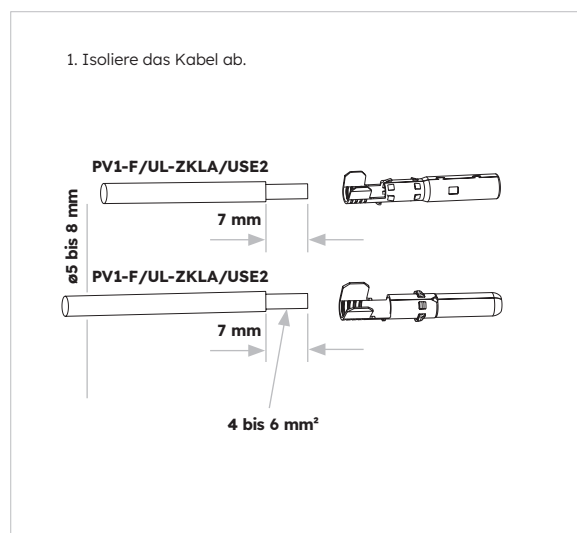
Überprüfen Sie die folgenden Punkte vor dem Anschluss der PV-Stränge an den Wechselrichter:

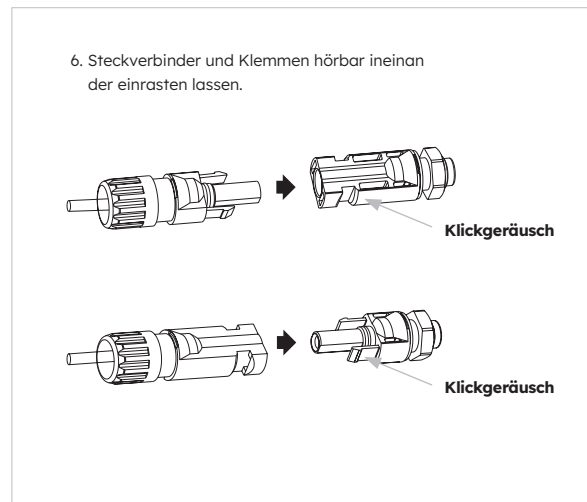
- Stellen Sie sicher, dass die Leerlaufspannung der PV-Stränge die maximale DC-Eingangsspannung (580 V) nicht überschreitet. Bei Missachtung dieser Voraussetzung erlischt die Garantie.
- Überprüfen Sie die PV-Anschlüsse auf korrekte Polarität.
- Vergewissern Sie sich, dass der PV-Schalter, die Akku-Schutzschalter, die AC-Backup-Versorgung und die AC-Netzversorgung ausgeschaltet sind.
- Vergewissern Sie sich, dass der Widerstand der PV-Anlage an Masse höher als 200 k $\Omega$  ist.

Der Wechselrichter verfügt über MC4 PV-Steckverbinder von Stäubli.

Die Montage der PV-Steckverbinder ist der folgenden Abbildung zu entnehmen.

Anforderungen an den Querschnitt des PV-Leiters: 4 bis 6 mm<sup>2</sup>



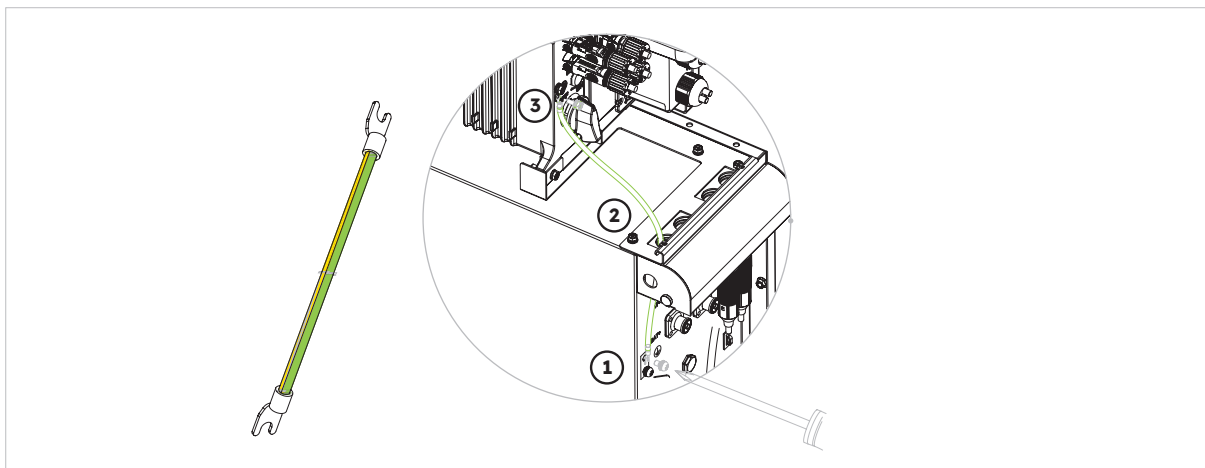


## 6.5 Elektrischer Anschluss zwischen Wechselrichter und Akku-Packs

### 6.5.1. Elektrischer Anschluss zwischen Wechselrichter und erstem Akku

#### Anweisungen zum elektrischen Anschluss:

1. Nehmen Sie das Erdungskabel aus dem Wechselrichterpaket.
2. Schließen Sie das Erdungskabel an den Wechselrichter und die Akku-Packs an.

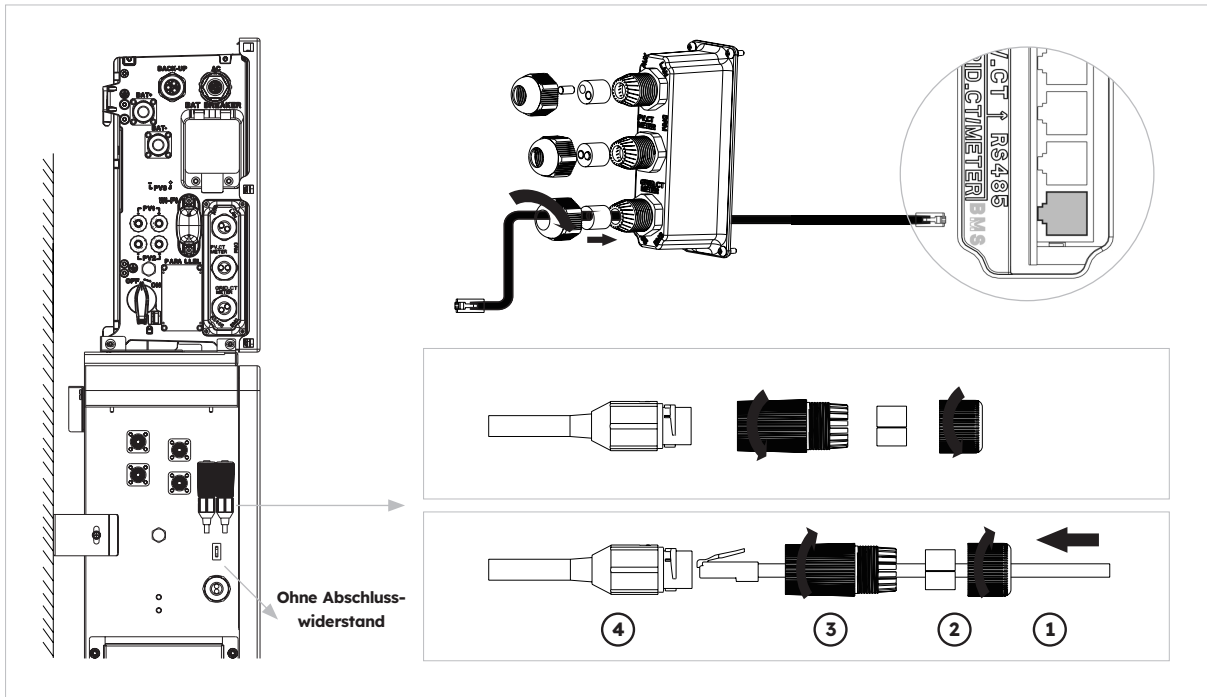


### 6.5.2. Anschluss des Kommunikationskabels

#### Anweisungen zum Anschluss des Kommunikationskabels:

1. Nehmen Sie das Akku-Kommunikationskabel aus dem Wechselrichterpaket.
2. Führen Sie das Akku-Kommunikationskabel durch die Kabelverschraubung an der Abdeckung des COM-Anschlusses. Ziehen Sie die Überwurfmuttern der Kabelverschraubungen noch nicht fest. Verbinden Sie den RJ45-Stecker mit dem BMS-Kommunikationsanschluss des Wechselrichters. Verbinden Sie den anderen RJ45-Stecker mit der entsprechenden RJ45-Buchse des Akkus.

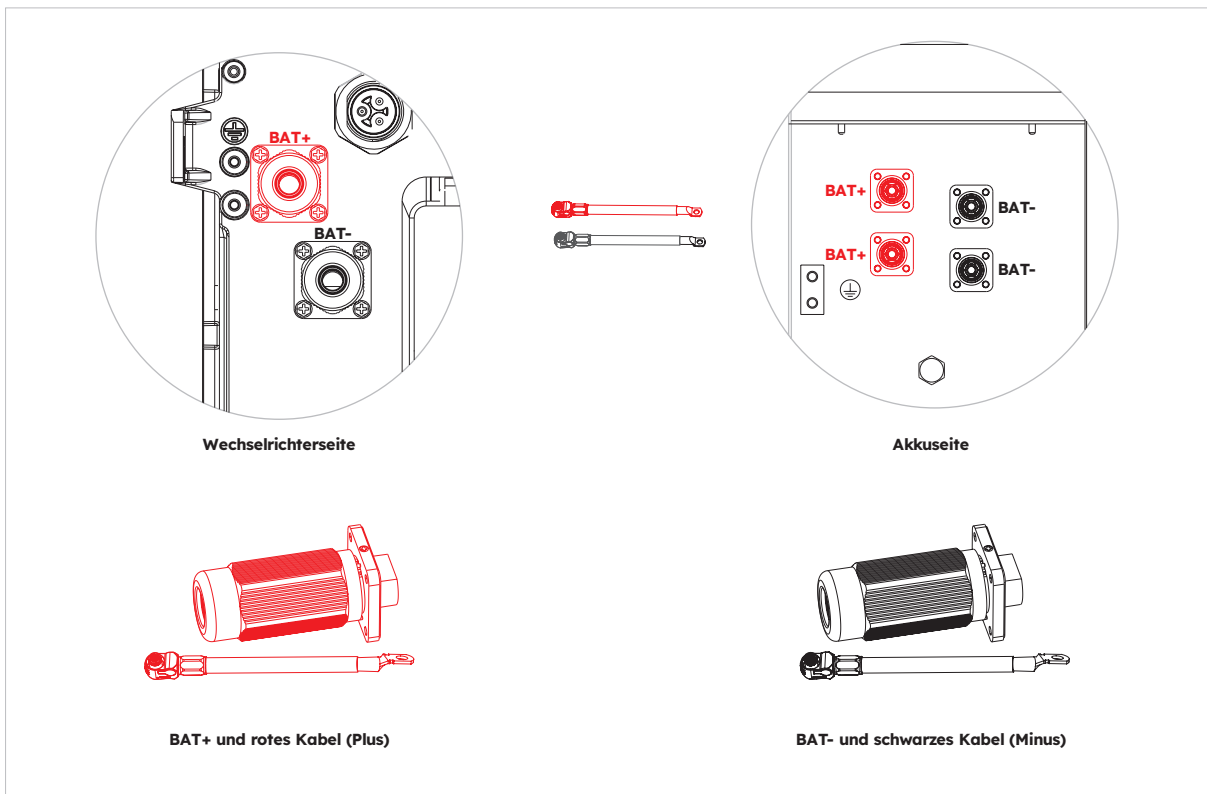
Hinweis: Der Magnetring am Akku-Kommunikationskabel muss sich auf der Seite des Wechselrichters befinden.



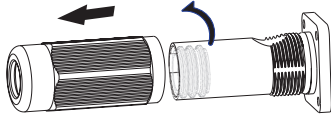
### 6.5.3. Anschluss des Stromkabels

#### Anweisungen zum Anschluss des Stromkabels:

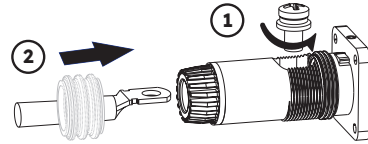
1. Nehmen Sie die Akku-Stromkabel aus dem Wechselrichterpaket.
2. Entfernen Sie die Schutzkappen von den Steckverbindern.
3. Schließen Sie die Akku-Stromkabel an den Wechselrichter und die Akku-Packs an. Achten Sie auf die korrekte Polarität der Steckverbinder (rot an Pluspol).



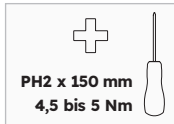
1.



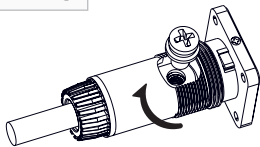
2.



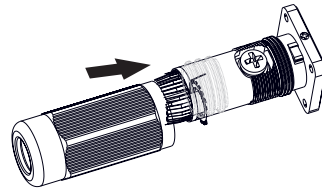
3.



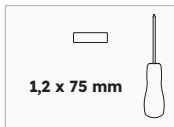
PH2 x 150 mm  
4,5 bis 5 Nm



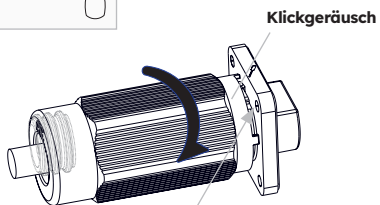
4.



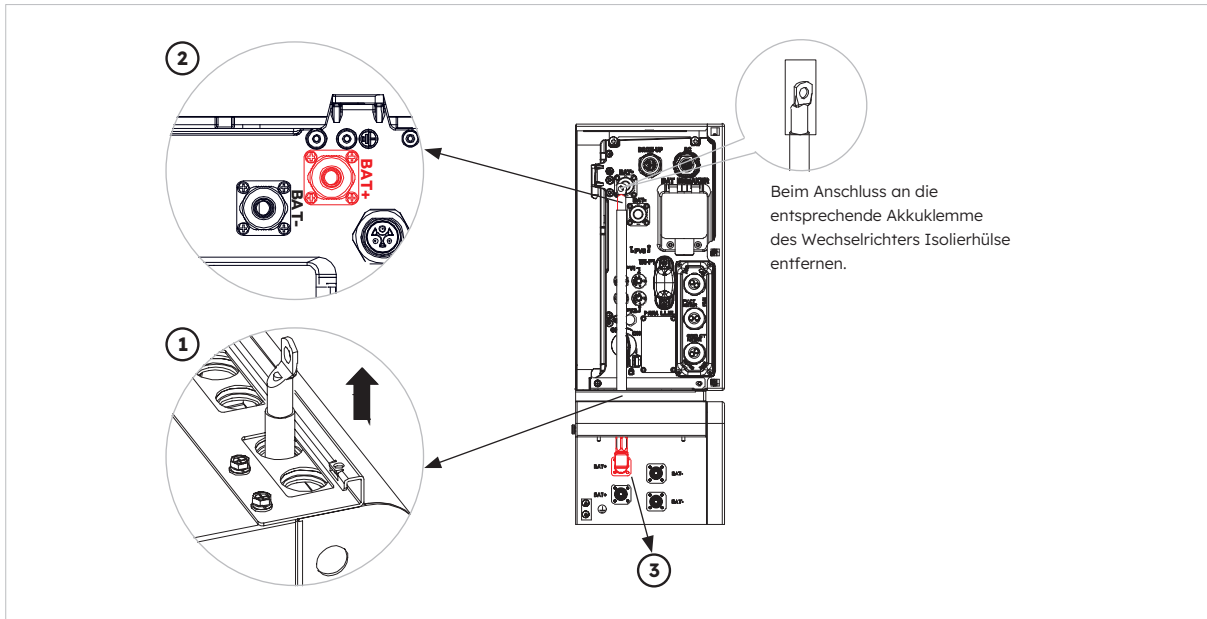
5.



1,2 x 75 mm



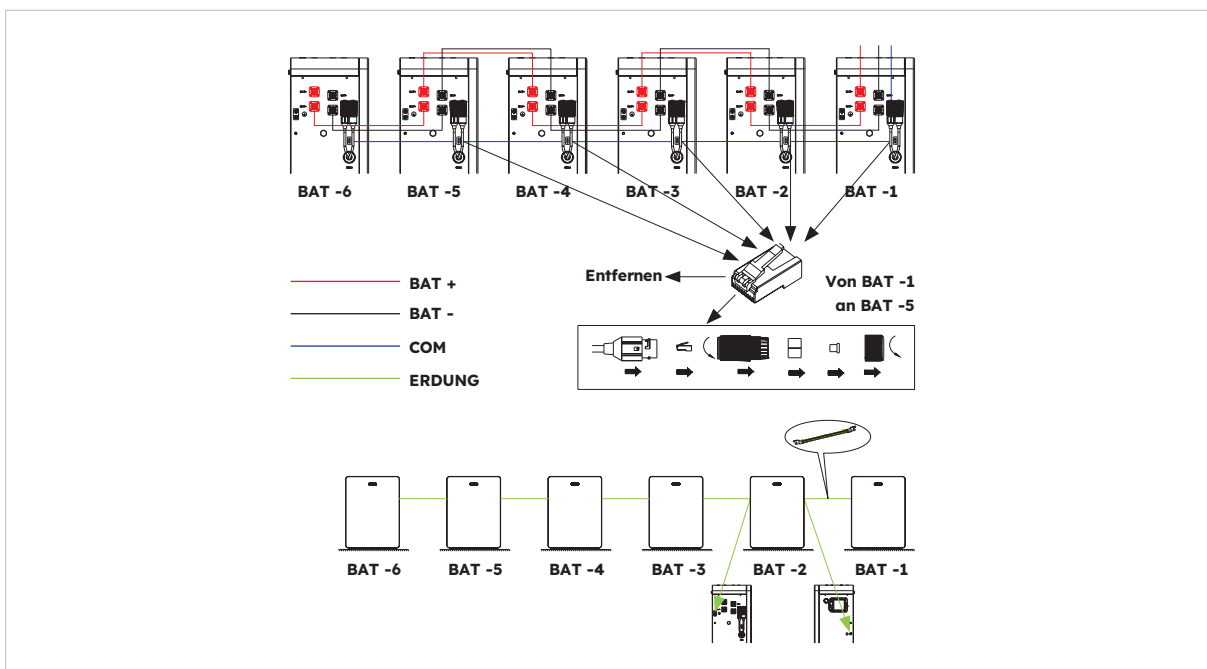
Beim Abschrauben der Überwurfmutter mit einem Schlitzschraubendreher auf den Verschluss drücken



## 6.5.4. Elektrischer Anschluss für Erweiterungsakku

Gehen Sie wie folgt vor, um den elektrischen Anschluss für Erweiterungsakku (max. sechs Einheiten) herzustellen:

1. Nehmen Sie die Stromkabel für die Erweiterungsakku und das Kommunikationskabel aus dem Akku-Paket.
2. Entfernen Sie die Schutzkappen von den Steckverbindern. Schließen Sie die Akku-Stromkabel an die zwei Akkus an.
3. Achten Sie auf die korrekte Polarität der Steckverbinder (rot an Pluspol).
4. Verbinden Sie die RJ45-Stecker mit den entsprechenden RJ45-Buchsen der Akkus.
5. Behalten Sie nur den Abschlusswiderstand des letzten Akkus bei und entfernen Sie den anderen Abschlusswiderstand.
6. Stellen Sie den Erdungsanschluss zwischen zwei Akkus wie in Abschnitt 6.2 beschrieben her.

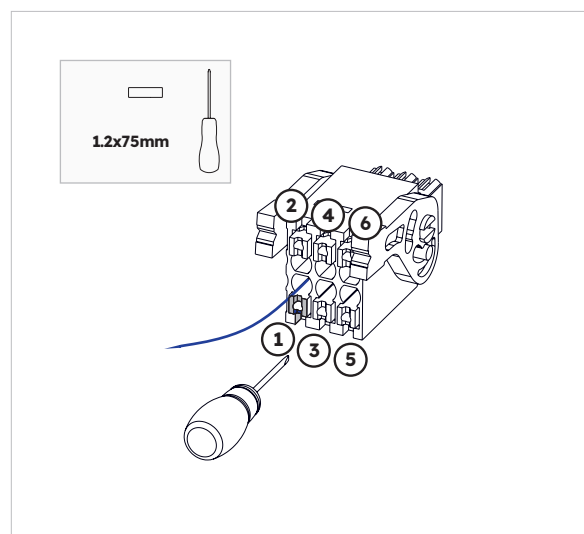
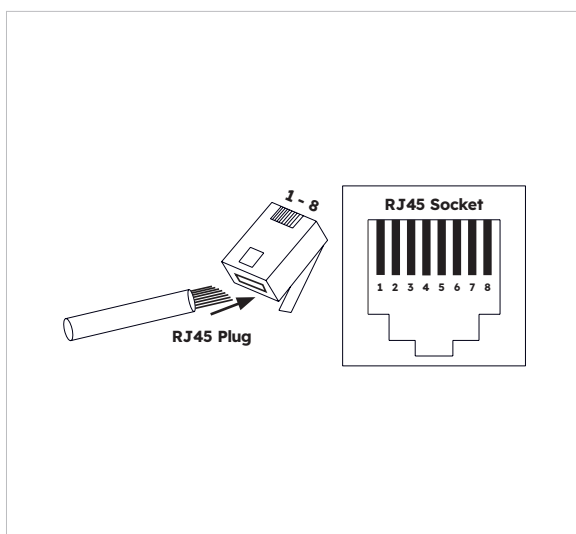




## 6.5.5. Sonstige Kommunikationsanschlüsse des Wechselrichters

Gehen Sie wie folgt vor, um die anderen Kommunikationsanschlüsse (AUX, LAN, DRM, RS485) herzustellen:

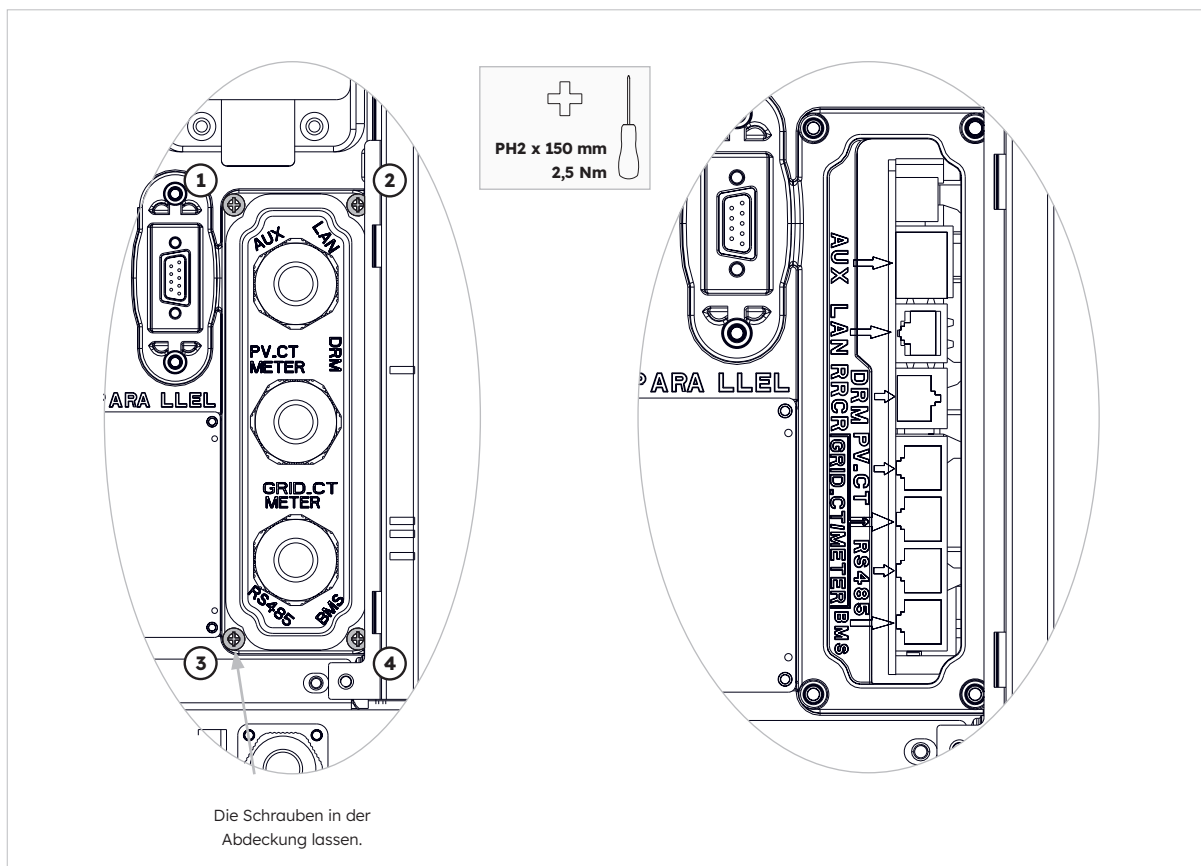
1. Lösen Sie die Kabelverschraubungen an der Abdeckung des COM-Anschlusses und drehen Sie die vier Schrauben an der Abdeckung heraus.
2. Führen Sie die Kommunikationskabel durch die Kabelverschraubungen an der Abdeckung des COM-Anschlusses. Ziehen Sie die Überwurfmutter der Kabelverschraubungen noch nicht fest. Verbinden Sie die RJ45-Stecker mit den entsprechenden RJ45-Buchsen.
  - a. Wenn DRM-Unterstützung erforderlich ist, darf das System nur in Verbindung mit einem Demand Response Enabling Device (DRED) verwendet werden. Dadurch wird sichergestellt, dass das System jederzeit die Vorgaben des Netzbetreibers im Hinblick auf die Wirkleistungsbegrenzung einhält. Das System und das Demand Response Enabling Device (DRED) müssen an dasselbe Netz angeschlossen sein. Für dieses Produkt ist nur DRMO verfügbar.
  - b. Legen Sie die 6-polige Klemmenleiste für den AUX-Anschluss bereit. Führen Sie für die Verkabelung einen Schraubendreher (Klingenbreite: 1,2 mm) in die entsprechende Anschlussposition ein. Die AUX-Belegung ist der Dokumentation zur AUX-Verkabelung zu entnehmen.Die AUX-Belegung ist der Dokumentation zur AUX-Verkabelung zu entnehmen.



3. Befestigen Sie die Abdeckung des COM-Anschlusses mit den vier Schrauben am Wechselrichtergehäuse. Ziehen Sie anschließend die Überwurfmutter der Kabelverschraubungen fest.

Stiftbelegung der Kommunikationsanschlüsse:

Port	Stiftnummer							
AUX	1	2	3	4	5	6	7	8
	DO1_NO	DO1_COM	DO1_NC	DI_negative	DI_positive	GND		
DRM RRCR	1	2	3	4	5	6	7	8
	DRED 1/5	DRED 2/6	DRED 3/7	DRED 4/8	REF GEN/0	COM LOAD/0	/	/
PV_CT	1	2	3	4	5	6	7	8
	/	/	RS485_A7	/	/	RS485_B7		/
GRID_ CT METER	1	2	3	4	5	6	7	8
	/	/	RS485_A7	/	/	RS485_B7		/
RS485	1	2	3	4	5	6	7	8
	/	/	/	RS485_B5	RS485_A5	/	/	/
BMS	1	2	3	4	5	6	7	8
	/	RS485_A4	/	CAN1_H	CAN1_L	/	RS485_B4	/

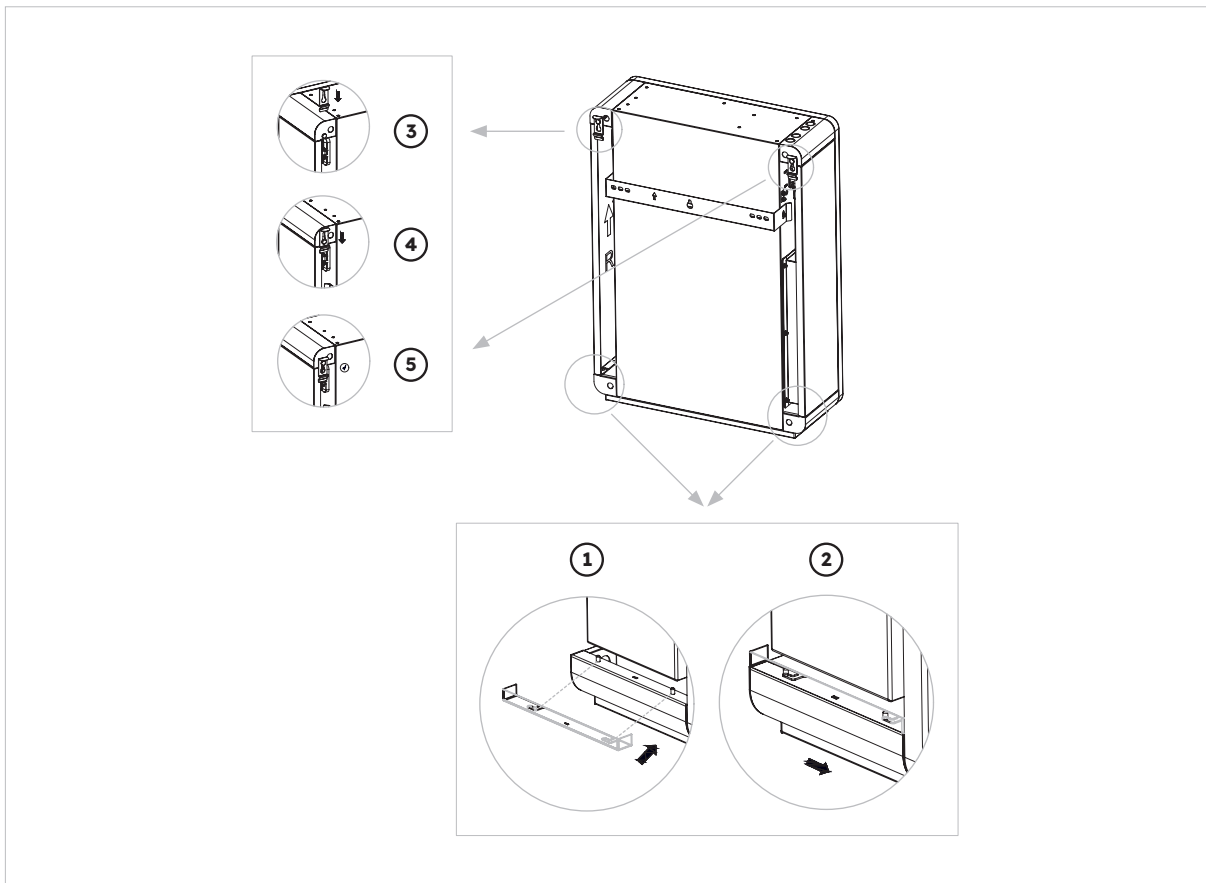


## 6.6. Montage der äußeren Teile von Akku und Wechselrichter

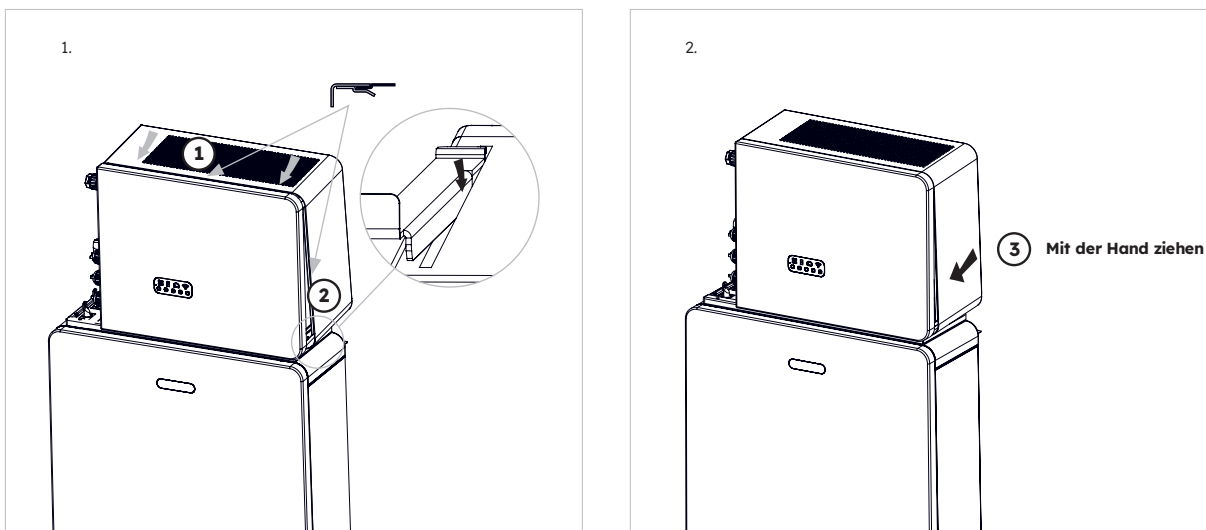
Führen Sie nach Fertigstellung der elektrischen Anschlüsse des Energiespeichersystems die folgenden Schritte durch.

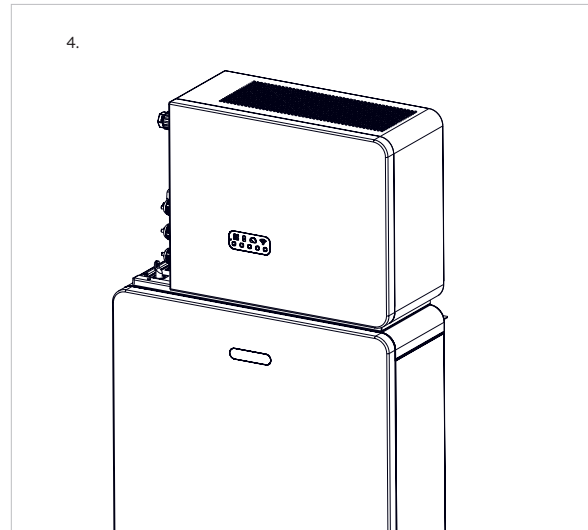
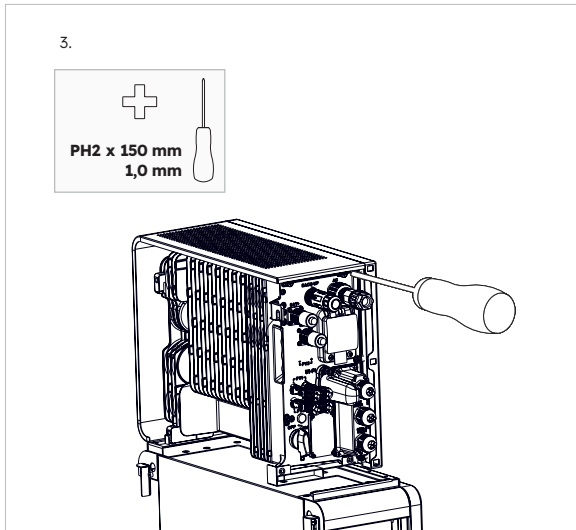
### Anweisungen:

1. Montieren Sie die Seitenverkleidungen des Akkus.



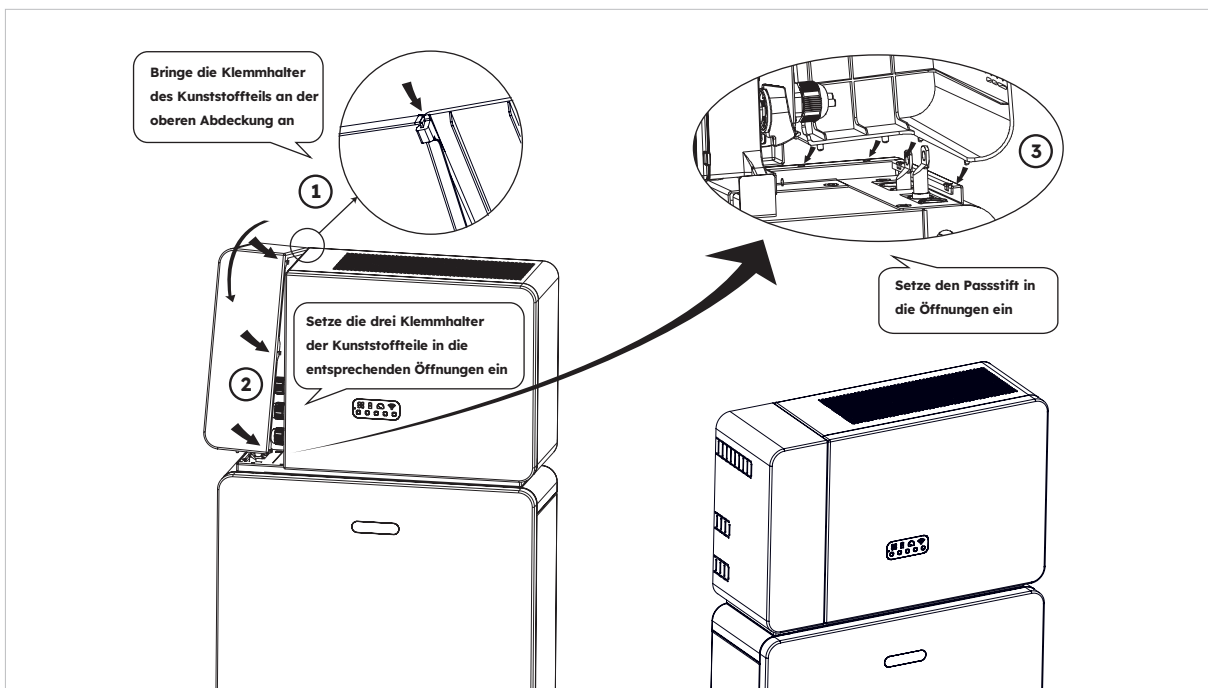
2. Installieren Sie die obere Abdeckung des Wechselrichters.





Seriennummer und Prüfcode des Wechselrichters befinden sich auf der rechten Seite des Wechselrichters. **Notieren Sie bitte diese, bevor die Abdeckung eingebaut wird.**

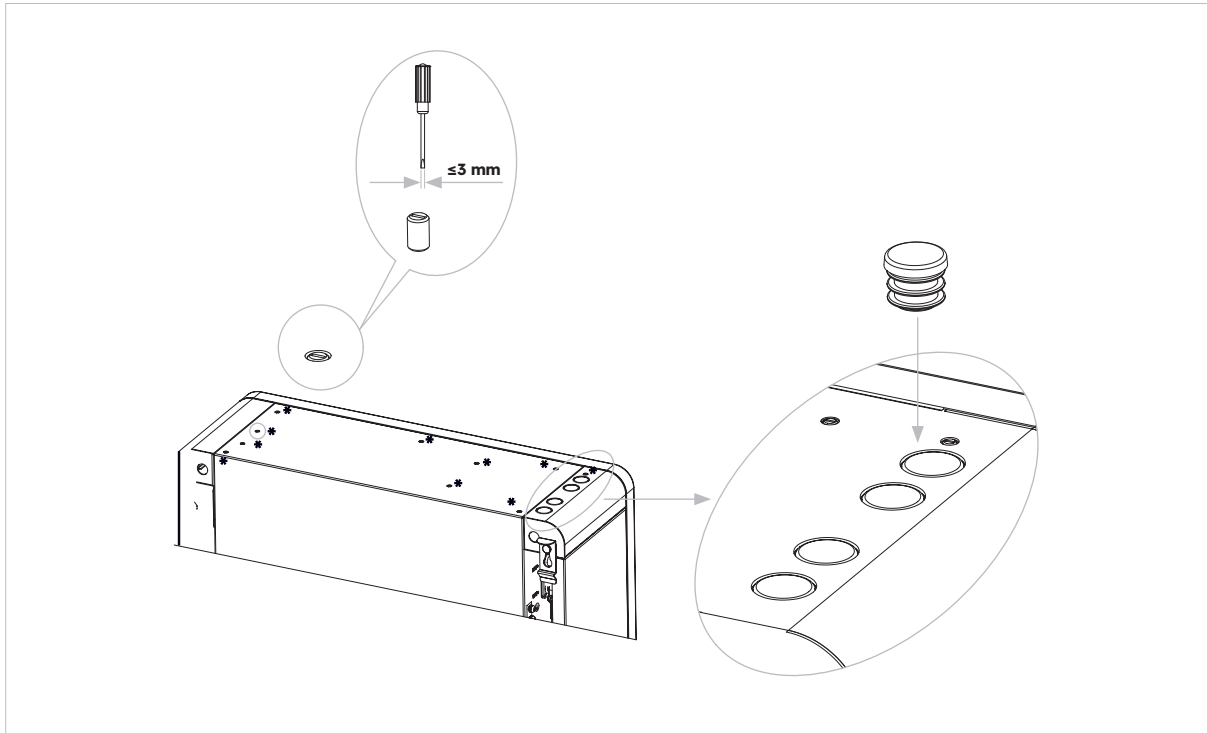
3. Installieren Sie die linke Kabelabdeckung des Wechselrichters.



Vergewissern Sie sich, dass alle Verkabelungen korrekt sind und das System einwandfrei funktioniert. Installieren Sie dann die obere Abdeckung auf der linken Seite des Wechselrichters.

## 6.7. Montage der Schraubstopfen

Wenn mehrere Akkus installiert sind, können Sie die folgenden Schritte durchführen, damit die Akku-Oberseite besser aussieht.



## 7.0 Vorgehensweise zum Hoch- und Herunterfahren

### 7.1. Vorgehensweise zum Hochfahren

1. Schalten Sie den Akku-Schutzschalter auf der rechten Seite des Akkus ein. Wiederholen Sie diesen Schritt in fortlaufender Reihenfolge für alle weiteren Akkus.
2. Schalten Sie den Trennschalter des Akku-Systems ein. Er befindet sich auf der linken Seite des Wechselrichters unter der oberen Gehäuseabdeckung.
3. Drücken Sie eine Sekunde lang auf die Akku-Starttaste von Akku 1. Sie befindet sich neben den Akku-Schutzschaltern. Wiederholen Sie diesen Schritt innerhalb von fünf Sekunden in fortlaufender Reihenfolge für alle weiteren Akkus.
4. Schalten Sie die AC-Netzversorgung zum Wechselrichter ein.
5. Schalten Sie die AC-Backup-Versorgung vom Wechselrichter ein (falls installiert).
6. Schalten Sie den PV-Trennschalter auf der linken Seite des Wechselrichters ein, falls die PV-Anlage direkt mit dem Wechselrichter verbunden ist.

### 7.2. Vorgehensweise zum Herunterfahren



Nach dem Ausschalten des Energiespeichersystems besteht aufgrund des Reststroms und der Hitze weiterhin die Gefahr von Stromschlägen und Verbrennungen. Ziehen Sie deshalb Schutzhandschuhe an und lassen Sie das Produkt nach dem Ausschalten fünf Minuten abkühlen.

#### Vorgehensweise

1. Stellen Sie den Umschalter auf MAINS, um die Stromversorgung auf Netzbetrieb umzuschalten (falls installiert).
2. Schalten Sie die AC-Backup-Versorgung vom Wechselrichter aus (falls installiert).
3. Schalten Sie die AC-Netzversorgung zum Wechselrichter aus.
4. Schalten Sie den PV-Trennschalter auf der linken Seite des Wechselrichters aus, falls die PV-Anlage direkt mit dem Wechselrichter verbunden ist.
5. Schalten Sie den Trennschalter des Akku-Systems aus. Er befindet sich auf der linken Seite des Wechselrichters.
6. Schalten Sie den Akku-Schutzschalter für jeden Akku aus.
7. Halten Sie die Akku-Starttaste sechs Sekunden lang gedrückt, um die einzelnen Akkus auszusprechen. Sie befindet sich neben dem Akku-Schutzschalter.

### 7.3. Prüfungen vor dem Hochfahren

Nr.	Komponente	Abnahmekriterien
1	Montagebereich	Der Montageort ist für das System geeignet; der Montagebereich ist sauber und frei von Fremdkörpern.
2	Montage von Akku-Pack und Wechselrichter	Akku-Pack und Wechselrichter sind korrekt und sicher montiert.
3	Montage des WLAN-Moduls	Das WLAN-Modul ist korrekt und sicher montiert.
4	Kabelverlegung	Alle Kabel sind richtig entsprechend den Kundenanforderungen verlegt.
5	Kabelbinder	Kabelbinder sind gleichmäßig befestigt und weisen keine Grate auf.
6	Erdung	Das Erdungskabel ist korrekt und sicher angeschlossen.
7	Zustand von Schaltern und Schutzschaltern	Der PV-Schalter (falls vorhanden), die Akku-Schutzschalter und alle weiteren Schutzschalter, die mit dem Produkt verbunden sind, sind ausgeschaltet.
8	Kabelanschlüsse	AC-Kabel, PV-Kabel (falls vorhanden), Akku-Stromkabel und Kommunikationskabel sind korrekt und sicher angeschlossen.
9	Ungenutzte Anschlüsse	Ungenutzte Strom- und Kommunikationsanschlüsse sind mit wasserdichten Kappen verschlossen.

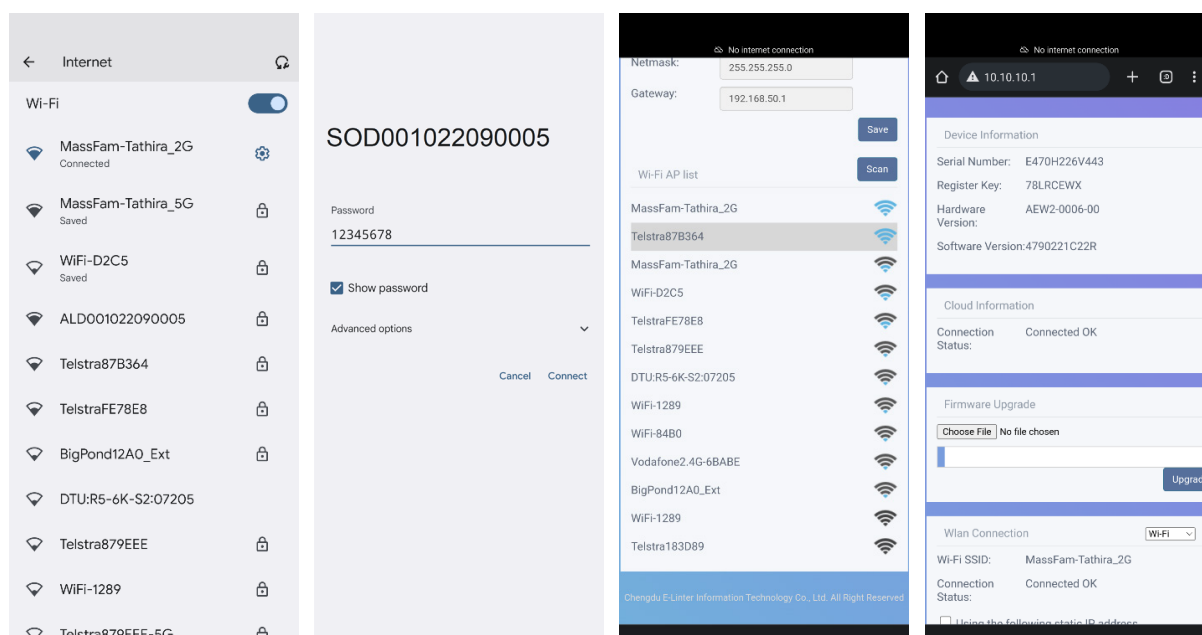
## 8.0 Einrichtung eines neuen Systems (Inbetriebnahme)

### 8.1 Verbindung des Reserve-Systems mit dem Internet

Um mit der Inbetriebnahme des soeben installierten SunPower Reserve-Systems zu beginnen, muss zunächst eine funktionierende Datenverbindung hergestellt werden. Diese wird auch für die laufende Überwachung benötigt. Das SunPower Reserve-System unterstützt zwei Arten von Datenverbindungen: Ethernet und WLAN.

Wenn Sie sich für eine Ethernet-Verbindung entscheiden, ist keine zusätzliche Konfiguration erforderlich. Sollten Sie eine WLAN-Verbindung bevorzugen, gehen Sie wie folgt vor, um das System mit dem WLAN des Hauseigentümers zu verbinden:

1. Rufen Sie auf Ihrem Mobilgerät die WLAN-Einstellungen auf und suchen Sie das WLAN des SunPower Reserve-Systems. Sie erkennen das Netzwerk an der Seriennummer des Systems.
2. Stellen Sie eine Verbindung zum Netzwerk des Reserve-Systems her. Verwenden Sie dazu das Standard-Passwort: 12345678.
3. Wenn die Verbindung hergestellt wurde, starten Sie den Mobilgeräte-Browser und geben Sie die folgende IP-Adresse des SunPower Reserve-Systems ein: 10.10.10.1. Daraufhin wird eine einfache Benutzeroberfläche angezeigt, über die die Verbindung des Reserve-Systems mit dem WLAN vor Ort hergestellt werden kann.
4. Tippen Sie auf die Option „Scan“ (Suchen) unten am Bildschirm, um nach verfügbaren Netzwerken zu suchen.
5. Wählen Sie in der Liste der gefundenen Netzwerke das gewünschte Netzwerk aus, mit dem das Reserve-System verbunden werden soll, und geben Sie das entsprechende WLAN-Passwort ein.
6. Nachdem die Verbindung erfolgreich hergestellt wurde, wird auf der Benutzeroberfläche die Bestätigungsmeldung „Connected OK“ (Verbindung in Ordnung) angezeigt.



Mit dieser Anleitung kann das SunPower Reserve-System effektiv verbunden und für den Betrieb konfiguriert werden



Wenn die Internetverbindung des SunPower Reserve-Systems zu einem späteren Zeitpunkt aus irgendeinem Grund verloren gegangen ist (z.B. weil der Kunde das WLAN-Passwort geändert hat), kann der Kunde anhand der oben beschriebenen Schritte die Internetverbindung des SunPower Reserve-Systems zurücksetzen.

## 8.2 Herunterladen und Installieren der SunPower One-App

1. Benutzer von Android-Geräten können die SunPower One-App über Google Play herunterladen.
2. Benutzer von iOS-Geräten können die SunPower One-App aus dem App Store herunterladen.



Die Tools für die Inbetriebnahme, einschließlich der Anmeldedaten, stehen nur Installateuren zur Verfügung, die die erforderlichen Schulungseinheiten erfolgreich abgeschlossen haben.

## 8.3 Inbetriebnahme des SunPower Reserve-Systems

Vergewissern Sie sich zunächst, dass das SunPower Reserve-System korrekt installiert wurde und über eine funktionsfähige Datenverbindung verfügt.

Die erforderlichen Schritte für die erfolgreiche Inbetriebnahme des SunPower Reserve-Systems sind unten noch einmal zusammengefasst. Vorgehensweise:

1. Starten Sie die SunPower One-App und melden Sie sich mit Ihrem SunPower One-Benutzernamen (E-Mail-Adresse) und Passwort an.
2. Tippen Sie auf dem Startbildschirm auf „Start“, um den Inbetriebnahmeprozess für ein neues System zu starten.
3. Geben Sie im nächsten Bildschirm die E-Mail-Adresse des Kunden ein, für den Sie das System installieren. Die E-Mail-Adresse wird benötigt, um das Kundenkonto vorzukonfigurieren, das zum Einloggen in die SunPower One-App erforderlich ist. Lassen Sie sich vom Kunden bestätigen, dass die E-Mail-Adresse korrekt ist und dass er über sein Mobilgerät darauf zugreifen kann.
4. Wählen Sie die betreffende Systemkonfiguration aus (siehe Abschnitt 3.3) und folgen Sie dann den in der App angezeigten Schritten, um die Aktivierung und Konfiguration der Installation abzuschließen.
5. Nach Abschluss der Einrichtung erhält der Kunde eine Bestätigungs-E-Mail. Diese E-Mail enthält einen Link zur SunPower One-App, über den der Kunde sein SunPower One-Konto aktivieren kann, um die umfangreichen SunPower One-Funktionen zu nutzen.

Bitte folgen Sie den oben beschriebenen Schritten, um eine effektive Inbetriebnahme des SunPower Reserve-Systems durchzuführen.



### **Korrekte Einstellung des Sicherheitsstandards**

Wenn ein für das Land und den Einsatzzweck ungültiger Sicherheitsstandard ausgewählt wird, kann es zu Störungen im Energiespeichersystem und zu Problemen mit dem Netzbetreiber kommen. Bei der Auswahl des Sicherheitsstandards müssen immer die vor Ort geltenden Standards und Richtlinien eingehalten und die Eigenschaften der PV-Anlage (z. B. Anlagengröße, Stromnetzanschluss) berücksichtigt werden.

Wenn Sie nicht sicher sind, welcher Sicherheitsstandard für das Land und den Einsatzzweck gültig ist, wenden Sie sich bitte an den Netzbetreiber, um weitere Informationen zur Konfiguration des korrekten Sicherheitsstandards zu erhalten.



Die verfügbaren Parameter in Schritt 4 des Inbetriebnahmeprozesses sind von der ausgewählten Konfiguration abhängig. Es ist daher wichtig, zu prüfen, dass die Werte korrekt sind.

## **8.4 Einschalten des Systems und Überprüfung des Systemstatus**

Vergewissern Sie sich, dass der PV-Schalter, die Akku-Schutzschalter und alle weiteren Schutzschalter, die mit dem Produkt verbunden sind, EINGESCHALTET sind.

## **8.5 Überprüfung der AC-Backup-Versorgung (falls verfügbar)**

Schalten Sie einen elektrischen Verbraucher EIN, der mit dem Backup-Ladeanschluss des Wechselrichters des Energiespeichersystems verbunden ist.

Schalten Sie den AC-Schutzschalter am Backup-Anschluss des Wechselrichters des Energiespeichersystems EIN.

Schalten Sie den externen AC-Schutzschalter zwischen dem Stromnetz und dem Wechselrichter des Energiespeichersystems AUS.

Das Produkt wechselt sofort in den AC-Backup-Modus.

Prüfen Sie, ob der elektrische Verbraucher auf der Backup-Seite weiterhin mit Strom versorgt wird.



Wenn während der Inbetriebnahme die LED-Leuchten in der Anzeigetafel des Wechselrichters rot oder die LED-Leuchten in der Anzeigetafel des Akkus gelb aufleuchten, sehen Sie bitte in Abschnitt 9.0 Problemlösung nach.

## 8.6 Unterstützung des Endbenutzers bei der Installation der SunPower One-App

Vergewissern Sie sich, dass der Hauseigentümer die App heruntergeladen und sein Konto über den Link in der Begrüßungs-E-Mail aktiviert hat.



Die Garantieregistrierung des SunPower Reserve-Systems ist abgeschlossen, wenn der Hauseigentümer sein Kundenkonto aktiviert hat.

## 9.0 Wartung und Problembehebung

### 9.1 Routinemäßige Wartungsarbeiten

Komponente	Abnahmekriterien	Wartungsintervall
Sauberkeit des Produkts	Der Kühlkörper auf der Rückseite des Wechselrichters und die Belüftungsabdeckungen sind sauber und frei von Fremdkörpern.	Sechs Monate
Sichtbare Schäden am Produkt	Das Produkt ist nicht beschädigt oder verformt.	Sechs Monate
Betrieb des Produkts	1. Das Produkt verursacht keine ungewöhnlichen Betriebsgeräusche. 2. Alle Parameter des Produkts sind korrekt eingestellt. Überprüfen Sie dies, während das Produkt in Betrieb ist.	Sechs Monate
Elektrische Anschlüsse	1. Alle Kabel sind fest angeschlossen. 2. Alle Kabel sind intakt und unbeschädigt. 3. Ungenutzte Kabelverschraubungen sind durch eine Abdeckkappe geschützt.	Sechs Monate



Trennen Sie das System vor dem Reinigen von allen Stromversorgungen. Reinigen Sie das Gehäuse, die Abdeckung und das Display mit einem weichen Tuch.

Durch das heiße Gehäuse und die heiße Abdeckung des Wechselrichters besteht Verbrennungsgefahr. Gehäuse und Abdeckung des Wechselrichters können im Betrieb heiß werden. Fassen Sie den Wechselrichter während des Betriebs deshalb ausschließlich an den Seitenverkleidungen an. Lassen Sie den Wechselrichter etwa 30 Minuten abkühlen, bevor mit dem Reinigen angefangen wird.

### 9.2 Problembehebung

Um die Genauigkeit des Ladezustands aufrechtzuerhalten, kann es erforderlich sein, den Akku vollständig aufzuladen.

Hierdurch wird der Ladezustand zurückgesetzt.

## 9.2.1. Problembehebung für den Wechselrichter

Fehler-Nr.	Fehlerbeschreibung	Lösung
4	Inverter_lost	Kommunikation mit Wechselrichter unterbrochen <ol style="list-style-type: none"> <li>1. Starten Sie das System neu und prüfen, ob der Fehler behoben ist.</li> <li>2. Wenden Sie sich an den Kundendienst, um das EMS- und DSP- Programm des Wechselrichters per Remote-Update zu aktualisieren. Prüfen Sie anschließend, ob der Fehler weiterhin angezeigt wird.</li> <li>3. Kann der Fehler nicht behoben werden, wenden Sie sich bitte zwecks weiterer Überprüfungen an den Kundendienst.</li> </ol>
100000	Grid_OVP	<ol style="list-style-type: none"> <li>1. Prüfen Sie, ob das Stromnetz in Ordnung ist.</li> <li>2. Überprüfen Sie den Anschluss an das Stromnetz.</li> <li>3. Starten Sie den Wechselrichter neu und prüfen Sie, ob der Fehler weiterhin angezeigt wird.</li> </ol>
100001	Grid_UVP	
100002	Grid_OFP	
100003	Grid_UFP	
100005	BUS_OVP1	Prüfen Sie, ob die Eingangsspannung von PV1 und PV2 höher als 580 V ist. Ist dies nicht der Fall, starten Sie den Wechselrichter neu und prüfen Sie, ob der Fehler weiterhin angezeigt wird. Wenn ja, wenden Sie sich bitte an den Kundendienst.
100007	Insulation_fault	<ol style="list-style-type: none"> <li>1. Prüfen Sie, ob das PV-Kabel richtig angeschlossen ist.</li> <li>2. Prüfen Sie, ob das PV-Kabel beschädigt ist.</li> </ol>
100008	GFCI_fault	<ol style="list-style-type: none"> <li>1. Starten Sie den Wechselrichter neu und prüfe, ob der Fehler weiterhin angezeigt wird.</li> </ol>
100010	GFCI_fault	
100011	Over_Temperature	<ol style="list-style-type: none"> <li>1. Überprüfen Sie den Bereich um den Wechselrichter auf mangelhafte Wärmeableitung.</li> <li>2. Stellen Sie sicher, dass der Wechselrichter vorschriftsmäßig installiert ist.</li> </ol>
100012	PV_Reverse	<ol style="list-style-type: none"> <li>1. Prüfen Sie den PV-Anschluss des Wechselrichters auf Verpolung.</li> <li>2. Ist die Polarität in Ordnung, wenden Sie sich bitte an den Kundendienst.</li> </ol>
100013	BAT_Reverse	<ol style="list-style-type: none"> <li>1. Prüfen Sie den PV-Anschluss des Wechselrichters auf Verpolung.</li> <li>2. Ist die Polarität in Ordnung, wenden Sie sich bitte an den Kundendienst.</li> </ol>
100017	MPPT1_OVP	Prüfen Sie die PV1-Spannung. Liegen mehr als 585 V an, reduzieren Sie die Anzahl der PV-Module.
100021	MPPT2_OVP	Prüfen Sie die PV2-Spannung. Liegen mehr als 585 V an, reduzieren Sie die Anzahl der PV-Module.
100025	BAT_OVP	Prüfen Sie, ob die tatsächliche Akkuspannung die Abschaltspannung beim Laden des Akkus um mehr als 20 V überschreitet.

Fehler-Nr.	Fehlerbeschreibung	Lösung
100026	BAT_UVP	Prüfen Sie, ob die tatsächliche Akkuspannung die Abschaltspannung beim Entladen des Akkus unterschreitet.
100027	Battery_lose	Vergewissern Sie sich, dass die Verkabelung in Ordnung ist, und prüfen Sie, ob der Abtastwert der Akkuspannung kleiner als 75 V ist.
100042	Output_short_circuit	<ol style="list-style-type: none"> <li>1. Messen Sie mit einem Multimeter die Impedanz des Off-Grid-Ausgangs. Wird ein kleiner Wert gemessen, prüfe, ob die Verkabelung in Ordnung ist.</li> <li>2. Starten Sie den Wechselrichter neu und prüfe, ob der Fehler weiterhin angezeigt wird. Wenn ja, wenden Sie sich bitte an den Kundendienst.</li> </ol>
100043	Output_overload	Prüfen Sie, ob die Last die Nennleistung überschreitet. Starten Sie den Wechselrichter neu und prüfen Sie, ob der Fehler weiterhin angezeigt wird. Wenn ja, wenden Sie sich bitte an den Kundendienst.
100052	Backup_ovp	Starten Sie den Wechselrichter neu und prüfen Sie, ob der Fehler weiterhin angezeigt wird. Wenn ja, wenden Sie sich bitte an den Kundendienst.
7	BMS lost	Keine Verbindung zum BMS <ol style="list-style-type: none"> <li>1. Prüfen Sie, ob die BMS-Kommunikationsverbindung zwischen Akku und Wechselrichter in Ordnung ist.</li> <li>2. Prüfen Sie, ob der Akku eingeschaltet ist.</li> <li>3. Kann der Fehler nicht behoben werden, wenden Sie sich bitte zwecks weiterer Überprüfungen an den Kundendienst.</li> </ol>
60002	Circuit_Breaker_Open	Versuchen Sie, alle Akku-Schutzschalter einzuschalten. Wird der Fehler dadurch nicht behoben, wenden Sie sich bitte an den Kundendienst.
60004	Slave_Battery_Communication_Lost	Überprüfen Sie die Kommunikationskabel zwischen den Akkus.
60006	Master_Battery_Communication_Lost	
60008	Multi_Master_error	
5	Grid meter lost	Keine Verbindung zum netzseitigen Stromzähler <ol style="list-style-type: none"> <li>1. Prüfen Sie, ob die Parameter für die Systemkonfiguration korrekt sind und der Stromzähler auf der Netzseite verwendet wird.</li> <li>2. Prüfen Sie, ob das Kommunikationskabel des Netzstromzählers richtig angeschlossen ist (RS485: 3A6B).</li> <li>3. Prüfen Sie, ob die Parameter für die Konfiguration der Kommunikationseinstellungen des Netzstromzählers korrekt sind (Kommunikationsadresse und Baudrate).</li> <li>4. Kann der Fehler nicht behoben werden, wenden Sie sich bitte zwecks weiterer Überprüfungen an den Kundendienst.</li> </ol>

Fehler-Nr.	Fehlerbeschreibung	Lösung
6	PV meter lost	<p>Keine Verbindung zum Stromzähler auf der Seite des PV-Wechselrichters</p> <ol style="list-style-type: none"> <li>1. Prüfen Sie, ob die Parameter für die Systemkonfiguration korrekt sind und der Stromzähler auf der Seite des PV-Wechselrichters verwendet wird.</li> <li>2. Prüfen Sie, ob die Parameter für die Konfiguration der Kommunikationseinstellungen des Stromzählers auf der Seite des PV-Wechselrichters korrekt sind (Kommunikationsadresse und Baudrate). (RS485: 3A6B).</li> <li>3. Prüfen Sie, ob die Parameter für die Konfiguration der Kommunikationseinstellungen des Stromzählers auf der Seite des PV-Wechselrichters korrekt sind (Kommunikationsadresse und Baudrate).</li> <li>4. Kann der Fehler nicht behoben werden, wenden Sie sich bitte zwecks weiterer Überprüfungen an den Kundendienst.</li> </ol>




## 9.2.2. Fehlerbeschreibung für den Wechselrichter

In der oberen Reihe befinden sich die folgenden vier LEDs: System (SYS), Akku (BAT), Stromzähler (METER) und Kommunikation (COM).

Die fünf LEDs in der unteren Reihe haben zwei Funktionen:











Anzeige des Ladezustands (SOC) aller Akkus im Energiespeichersystem

Bei einem Fehler wird der entsprechende Fehlercode angezeigt. Von rechts nach links entsprechen die LEDs den folgenden Zahlen: 1, 2, 4, 8, 16.

LED-Leuchte	Fehlercode	Anzeige	Beschreibung
Rote SYS-LED blinkt schnell	4		Keine Verbindung zum Wechselrichter
Rote SYS-LED leuchtet; METER-LED blinkt schnell, wenn die Verbindung zum Netzstromzähler unterbrochen ist. Rote SYS-LED leuchtet; METER-LED blinkt langsam, wenn die Verbindung zum PV- Stromzähler unterbrochen ist; METER-LED ist ausgeschaltet, wenn die Verbindung zu allen Stromzählern unterbrochen ist.	5		Keine Verbindung zum Netzstromzähler
	6		Keine Verbindung zum PV-Stromzähler

LED-Leuchte	Fehlercode	Anzeige	Beschreibung
Rote SYS-LED leuchtet; BAT-LED ist ausgeschaltet	7		Keine Verbindung zum BMS
Wechselrichter ist defekt, rote SYS-LED blinkt schnell	100000		Grid_OVP
Wechselrichter ist defekt, rote SYS-LED blinkt schnell	100001		Grid_UVP
	100002		Grid_OFP
	100003		Grid_UFP
Wechselrichter ist defekt, rote SYS-LED blinkt schnell	100005		BUS_OVP1
	100007		Insulation_fault
	100008		GFCI_fault
	100010		Grid_relay_fault
	100011		Over_Temperature
	100012		PV_Reverse
	100013		BAT_Reverse
	100017		MPPT1_OVP
	100021		MPPT2_OVP




LED-Leuchte	Fehlercode	Anzeige	Beschreibung
Wechselrichter ist defekt, rote SYS-LED blinkt schnell	100025		BAT_OVP
	100026		BAT_UVP
	100027		Battery_lose
	100042		Output_short_circuit
	100043		IOutput_overload
	100052		Backup_ovp
Rote SYS-LED leuchtet, BAT-LED blinkt bei defektem Akku.	60002		Circuit_Breaker_Open Circuit_Breaker_Open
	60004		Slave_Battery_Communication_Lost
	60006		Master_Battery_Communication_Lost
Rote SYS-LED leuchtet, BAT-LED blinkt bei defektem Akku.	60008		Multi_Master_error



1. In der ersten Reihe befinden sich die folgenden vier LEDs: System (SYS), Akku (BAT), Stromzähler (METER) und Kommunikation (COM).
2. Die fünf LEDs in der zweiten Reihe haben zwei Funktionen:
  - Anzeige des Akku-Ladezustands
  - Bei einem Fehler wird der entsprechende Fehlercode angezeigt.

### 9.2.3. Beschreibung des Akku-Schutzes

Die drei LEDs an der vorderen Akku-Abdeckung geben durch gelbes Aufleuchten oder Blinken Aufschluss über den Schutzstatus des Akkus.

Symbol	Beschreibung
	LED blinkt gelb
	LED leuchtet gelb
	LED ist ausgeschaltet

LED-Leuchte	Schutz-Nr.	Anzeige	Beschreibung	Problembeseitigung
Gelbe LEDs leuchten oder blinken einmal pro Sekunde	1		Temperaturunterschied	Warten Sie, bis die automatische Wiederherstellung abgeschlossen ist. Besteht das Problem weiterhin, wenden Sie sich bitte an den Kundendienst.
	2		Hohe Temperatur	Beenden Sie den Entlade-/Ladevorgang, bis die Anzeige erloschen ist, und warte, bis die Temperatur gesunken ist.
	3		Niedertemperatur-Entladung	Beenden Sie den Entladevorgang, bis die Anzeige erloschen ist, und warte, bis die Temperatur gestiegen ist.
	4		Überstrom-Ladung	Warten Sie, bis die automatische Wiederherstellung abgeschlossen ist. Besteht das Problem weiterhin, wenden Sie sich bitte an den Kundendienst.
	5		Überstrom-Entladung	Warten Sie, bis die automatische Wiederherstellung abgeschlossen ist. Besteht das Problem weiterhin, wenden Sie sich bitte an den Kundendienst.
	6		Zellenüberspannung	
	7		Zellenunterspannung	Beenden Sie den Entladevorgang und wende dich umgehend an den Kundendienst.
	8		Niedertemperatur-Ladung	Beenden Sie den Entladevorgang, bis die Anzeige erloschen ist, und warte, bis die Temperatur gestiegen ist.



Wenn während des Betriebs der Schutzstatus „Zellenunterspannung“ angezeigt wird, drücken Sie innerhalb von zehn Sekunden fünfmal die Einschalttaste. Dadurch wird das BMS gezwungen, den Entlade-MOSFET einzuschalten, sodass der Wechselrichter die Leerlaufspannung erkennen und den Akku aufladen kann.

## 9.2.4. Fehlerbeschreibung für den Akku

LED-Leuchte	Fehler-Nr.	Anzeige	Beschreibung	Problembeseitigung
Gelbe LEDs leuchten oder blinken einmal pro Sekunde	Fehler 01		Hardwarefehler	Warten Sie, bis die automatische Wiederherstellung abgeschlossen ist. Besteht das Problem weiterhin, melden Sie dem Kundendienst bitte „Fehler 05: Hardwarefehler“.
	Fehler 05		Hardwarefehler	
	Fehler 06		Schutzschalter offen	Schalten Sie den Schutzschalter nach dem Ausschalten des Akkus wieder ein.
	Fehler 08		LMU getrennt (Sekundär)	Schließen Sie das BMS-Kommunikationskabel wieder an.
	Fehler 09		SN fehlt	Bitte wenden Sie sich an den Installateur oder Kundendienst.
	Fehler 10		LMU getrennt (Primär)	Schließen Sie das BMS-Kommunikationskabel wieder an.
	Fehler 11		Softwareversion nicht einheitlich	Bitte wenden Sie sich an den Installateur oder Kundendienst.
	Fehler 12		Multi-Primär	Starten Sie alle Akkus neu.
	Fehler 13		MOS-Über temperatur	Schalten Sie den Akku aus und warten Sie 30 Minuten, bevor Sie ihn erneut einschalten.
	Fehler 14		Isolationsfehler	Starten Sie den Akku neu. Besteht das Problem weiterhin, wenden Sie sich bitte an den Installateur.
Fehler 15		Gesamtspannung fehlerhaft	Starten Sie den Akku neu. Besteht das Problem weiterhin, wenden Sie sich bitte an den Installateur oder den Kundendienst.	



Wenn während des Betriebs der Schutzstatus „Zellenunterspannung“ angezeigt wird, drücken Sie innerhalb von zehn Sekunden fünfmal die Einschalttaste. Dadurch wird das BMS gezwungen, den Entlade-MOSFET einzuschalten, sodass der Wechselrichter die Leerlaufspannung erkennen und den Akku aufladen kann.

## 10.0 Demontage und Rücksendung

### 10.1. Abbauen des Produkts

#### Vorgehensweise

1. Schalten Sie das Energiespeichersystem aus. Folge dazu den Anweisungen in Kapitel 7.2 „Vorgehensweise zum Herunterfahren“.
2. Ziehen Sie alle Kabel vom Produkt ab, einschließlich der Kommunikationskabel, PV-Stromkabel, Akku-Stromkabel, Wechselstromkabel und PE-Kabel.
3. Entfernen Sie das WLAN-Modul.
4. Bauen Sie den Wechselrichter von der Oberseite des Akkus ab.
5. Entfernen Sie die Wandhalterung des Akkus.
6. Entfernen Sie den Akku.
7. Bauen Sie die Wandhalterung des Erweiterungsakkus (sofern vorhanden) ab.
8. Entfernen Sie den Erweiterungsakku (sofern vorhanden).

### 10.2. Verpacken des Produkts

Wenn die Originalverpackung vorhanden ist: Legen Sie das Produkt in den Karton und verschließen Sie diesen mit Klebeband. Wenn die Originalverpackung nicht mehr vorhanden ist: Legen Sie das Produkt in einen geeigneten Karton und verschließen Sie diesen richtig.

### 10.3. Entsorgen des Produkts

Entsorgen Sie das Produkt am Ende seiner Nutzungsdauer gemäß den örtlichen Vorschriften für die Entsorgung von Elektro- und Elektronik-Altgeräten.

Entsorge Verpackungsmaterial und ausgetauschte Teile gemäß den jeweiligen Vorschriften am Installationsort des Gerätes.

Das Produkt darf nicht im normalen Hausmüll entsorgt werden.



## 11.0 Spezifikationen

### 11.1 Datenblatt des Wechselrichters

Komponente	RESERVE-INV-1-P5-L1-INT
<b>DC-Eingang (Seite der PV-Anlage)</b>	
Empfohlene max. PV-Leistung	10.000 W
Max. PV-Eingangsspannung	580 V
Nennspannung	360 V
Anlaufspannung	90 V
MPPT-Spannungsbereich	100 bis 550 V
Max. Eingangsstrom pro MPPT	15 A/15 A
Max. Kurzschlussstrom pro MPPT	18,75 A/18,75 A
MPPT-Anzahl	2
Max. Anzahl an Eingangssträngen pro MPPT	1

<b>Akku</b>	
Akku-Typ	Lithium-Ionen
Batteriespannungsbereich	80 bis 450 V
Max. Ladeleistung	4,6 kW
Max. Lade-/Entladestrom	60 A/60 A
Kommunikation	CAN

<b>AC-Ausgang (Backup)</b>	
Nennleistung	4,6 kW
Max. Ausgangsscheinleistung	5 kVA
Umschaltung auf Backup-Versorgung	< 20 ms
Ausgangsnennspannung	L/N/PE, 230 V
Nennfrequenz	50/60 Hz
Ausgangsnennstrom	21,7 A
THDv-Wert (bei linearer Last)	3 %

Komponente	RESERVE-INV-1-P5-L1-INT
<b>AC-Eingang (Netzseite)</b>	
Eingangsnennspannung	L/N/PE, 230 V
Nennfrequenz	50/60 Hz
Eingangsnennleistung	10 kW
Max. Eingangsstrom	43,5 A

<b>AC-Ausgang (Netzseite)</b>	
Nennleistung	4,6 kW
Max. Ausgangsscheinleistung	5 kVA
Betriebsphase	Einphasig
Nennspannung des Stromnetzes	L/N/PE, 230 V
Spannungsbereich des Stromnetzes	180 bis 270 V
Nennfrequenz des Stromnetzes	50/60 Hz
Ausgangsnennstrom des Stromnetzes	21,7 A
Leistungsfaktor	> 0,99 (0,8 voreilend bis 0,8 nacheilend)
Thdi-Wert	< 3 %
Schutzklasse	I
Überspannungskategorie	III

<b>Wirkungsgrad</b>	
Max. Wirkungsgrad	> 97 %
EU-Wirkungsgrad	> 96,2 %

Komponente	RESERVE-INV-1-P5-L1-INT
<b>Schutz</b>	
Anti-Inselbildungsschutz	Integriert
Isolationswiderstand-Erkennung	Integriert
Fehlerstromüberwachung	Integriert
Ausgangsüberstromschutz	Integriert
Ausgangskurzschlusschutz	Integriert
Ausgangsüberspannungsschutz	Integriert
DC-Verpolungsschutz	Integriert
PV-Überspannungsschutz	Integriert
PV-Schalter	Integriert
Akku-Schutzschalter	Integriert

<b>Allgemeine Daten</b>	
Abmessungen (B x T x H)	610 x 212 x 380 mm
Gewicht	20 kg
Topologie	Ohne Transformator
Betriebstemperaturbereich	-25 °C bis +60 °C
IP-Schutzklasse	IP65
Geräuschemissionen	< 30 dB(A) bei 1 Meter Abstand
Kühlkonzept	Natürliche Konvektion
Max. Betriebshöhe	2000 m

<b>Eigenschaften</b>	
Anschluss an PV-Anlage	Steckverbinder, MC4
Anschluss an Stromnetz	Steckverbinder
Backup-Anschluss	Steckverbinder
Akku-Anschluss	Schraubanschluss
Kommunikation	LAN, WLAN

## 11.2 Datenblatt des Akkus

Komponente	RESERVE-BAT-1-DC-10.1-INT
<b>Allgemeine Daten</b>	
Akku-Typ	LFP (LiFePO4)
Gewicht	90 kg
Abmessungen (B x T x H)	610 x 212 x 829 mm
IP-Schutzklasse	IP65
Energiekapazität	10,1 kWh
Nutzbare Kapazität	9,6 kWh
DoD	95 %
Nennspannung	96 V
Betriebsspannungsbereich	90 ~ 108 V
Max. Lade-/Entladestrom*	60 A
Betriebstemperaturbereich	Ladung: $0 < T \leq 50 \text{ }^{\circ}\text{C}$ Entladung: $-10 < T \leq 50 \text{ }^{\circ}\text{C}$
Überwachungsparameter	Systemspannung, Strom, Zellenspannung, Zellentemperatur, PCBA-Temperatur
BMS-Kommunikation	CAN

<b>System</b>	
Sicherheit	IEC62619/IEC63056/IEC62040/IEC61000
Transport	UN38.3

\*Der max. Lade-/Entladestrom verringert sich in Abhängigkeit von der Temperatur und dem Ladezustand.

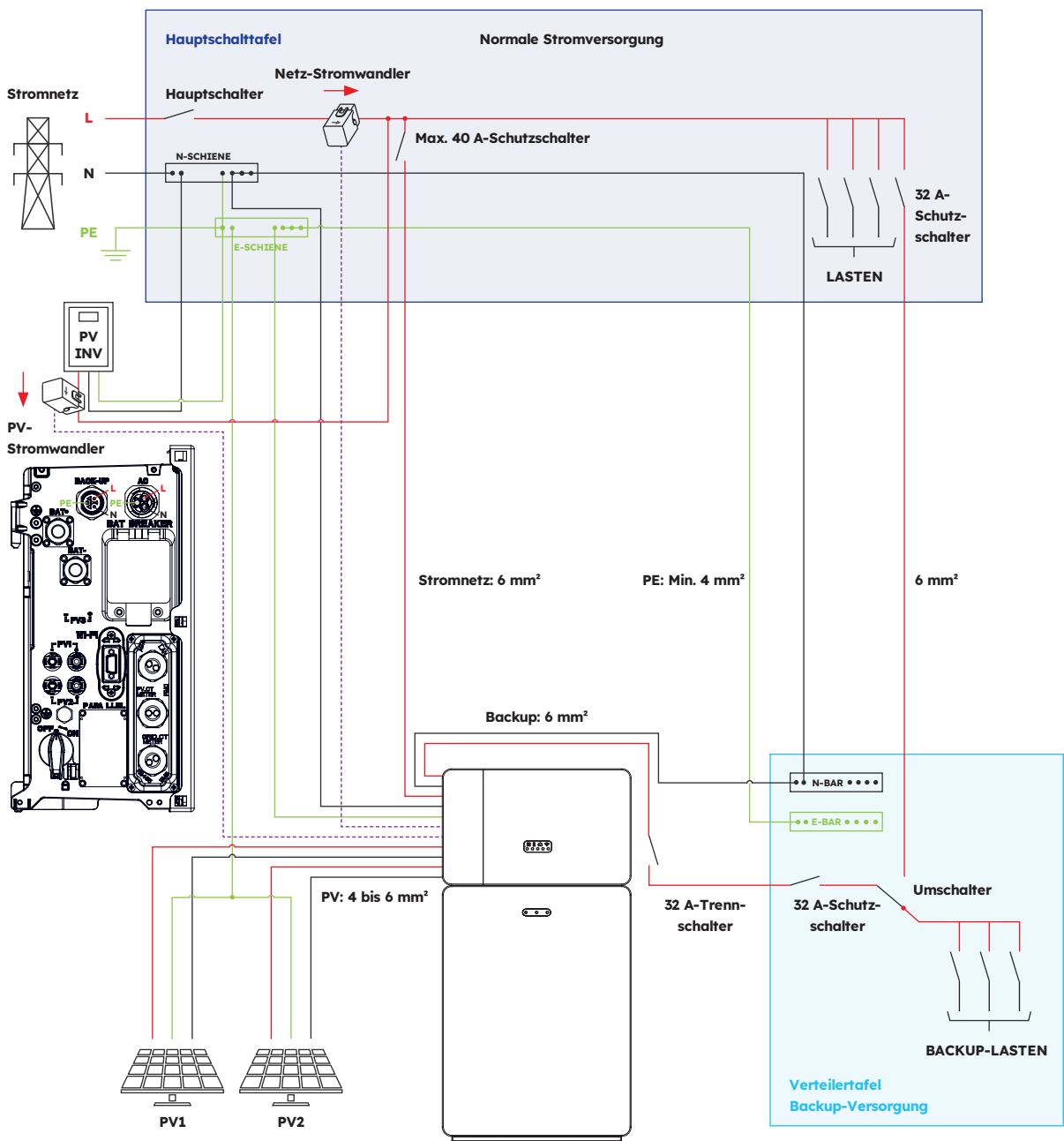


# 12.0 Anhang 1: Systemübersicht

## 12.1 Systemschaltplan für Australien

### 12.1.1. Hybride oder AC-gekoppelte Konfiguration (Australien)

Schaltplan für SunPower Reserve-System: Hybride Konfiguration mit einer Phase (Australien)  
Hinweis: Da der Neutraleiter geschaltet ist, muss der Neutraleiter des AC-Backup-Anschlusses mit der Neutralschiene verbunden werden.

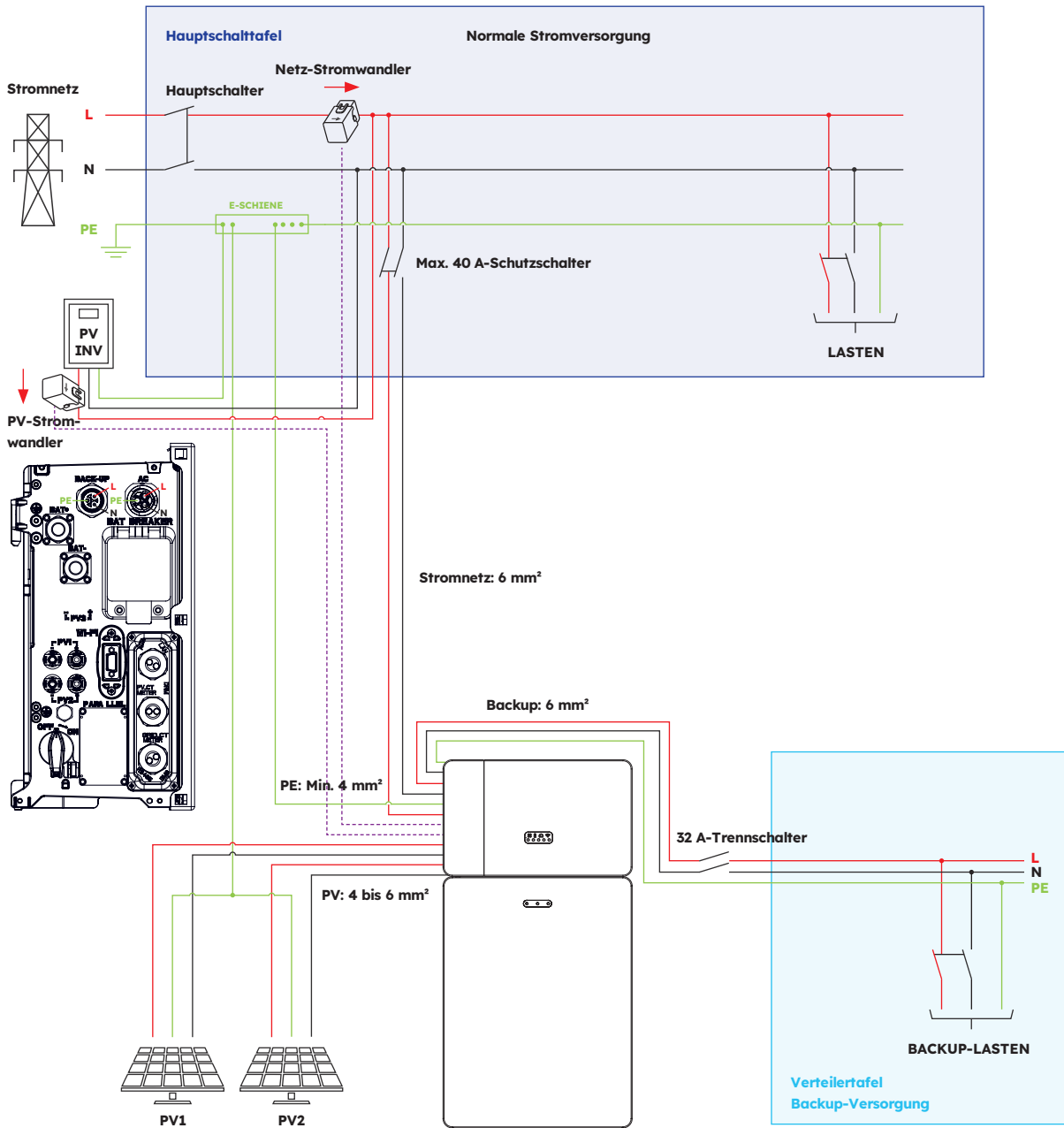




## 12.2. Systemschaltplan für Europa

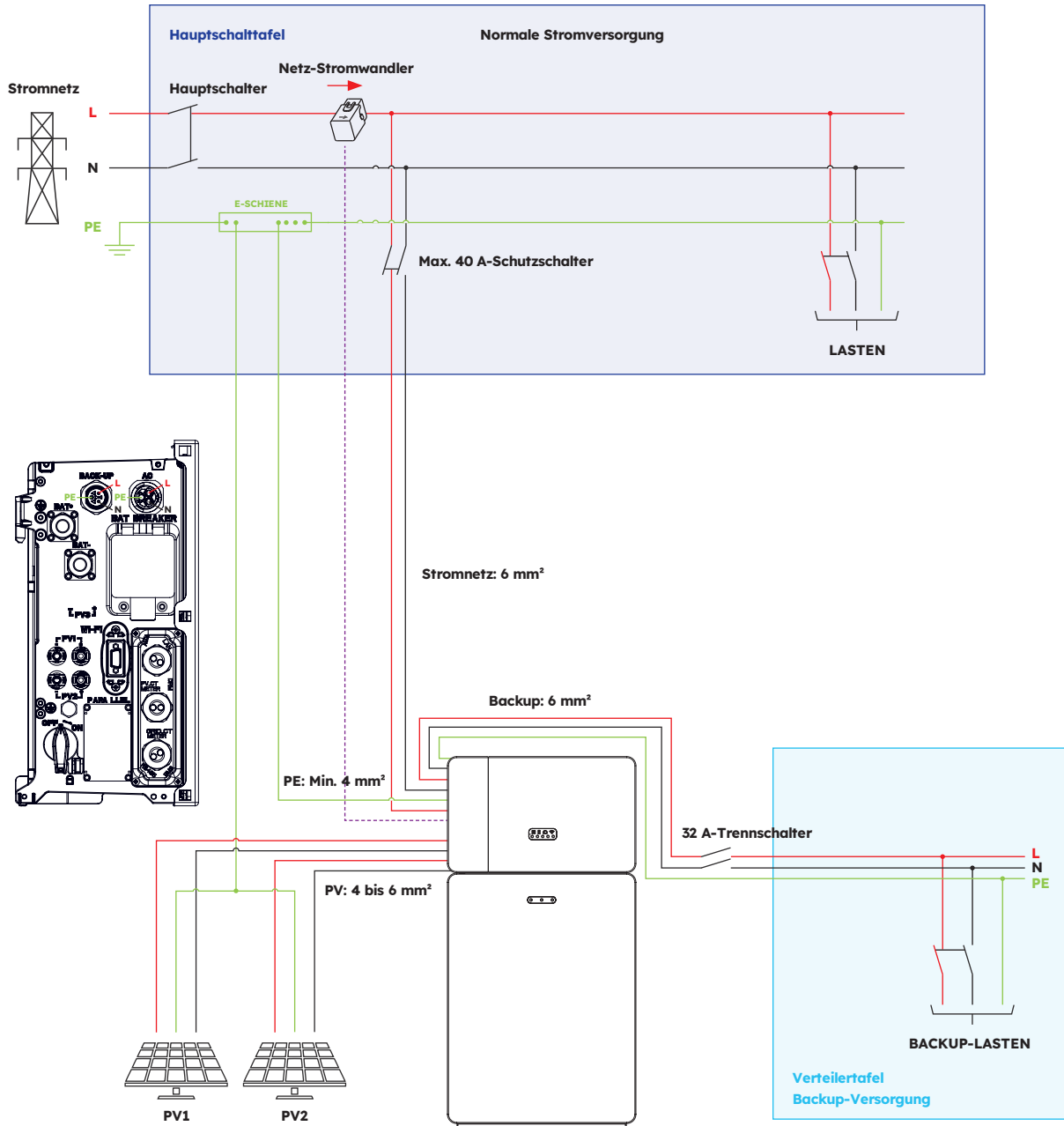
### 12.2.1. Hybride oder AC-gekoppelte Konfiguration (Europa)

Schaltplan für SunPower Reserve-System: Hybride Konfiguration mit einer Phase (Europa)



## 12.2.2. DC-gekoppelte Konfiguration (Europa)

Schaltplan für SunPower Reserve-System: DC-gekoppelte Konfiguration mit einer Phase (Europa)



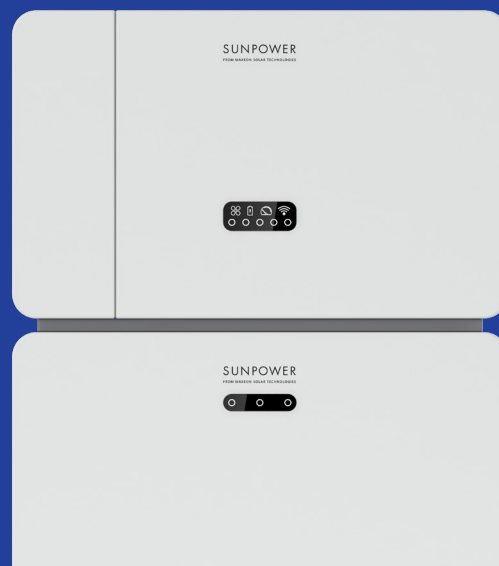
## 13.0 Anhang 2: Regionale Anwendungsnormen

Bitte erkundigen Sie sich beim lokalen Netzbetreiber nach der jeweiligen regionalen Anwendungsnorm. Die Qualitätsmodi Volt-VAR und Volt-Watt werden automatisch ausgeführt. (Nur für Regionen mit Sicherheitsvorschriften nach AS/NZW 4777.2).

Land (DNSP)	Sicherheitsstandard	Regionseinstellung
Ausgrid, Ausnet, Citipower, Endeavour Energy, Energex, Ergon, Essential Energy, Evoenergy, Jemena, SA Power Networks, PowerCor, United Energy	AS/NZS 4777.2: 2020	Australien A
Western Power	AS/NZS 4777.2: 2020	Australien B
Horizon Power und TasNetworks	AS/NZS 4777.2: 2020	Australien C
Neuseeland	AS/NZS 4777.2: 2020	Neuseeland
Deutschland	VDE 4105/11.18	Deutschland
Italien	CEI 0-21	Italien
Spanien	RD1699/UNE	Spanien
Belgien	C10/C11	Belgien
Niederlande	EN50549	Niederlande

# SunPower Reserve

## Sistema di accumulo domestico



## Istruzioni di sicurezza e installazione

547143 Revisione C  
Pubblicazione dicembre 2023

Il presente documento è valido per l'installazione del sistema energetico domestico SunPower Reserve, che comprende:

- Inverter: RESERVE-INV-1-P5-L1-INT
- Batteria: RESERVE-BAT-1-DC-10.1-INT
- Misuratore di potenza: CHINT-DTSU666-AC-L3-INT

Il presente documento illustra il montaggio, l'installazione, la messa in servizio, la configurazione, il funzionamento, la risoluzione dei problemi e la disattivazione dei prodotti, nonché il funzionamento dell'interfaccia utente del prodotto. La documentazione allegata è parte integrante del prodotto. Conservarla in un luogo comodo per future necessità e rispettare tutte le istruzioni da essa fornite.

Le illustrazioni contenute in questo documento sono ridotte alle informazioni essenziali e possono differire dal prodotto reale.



Per la versione più recente fare riferimento a  
[www.sunpower.maxeon.com/int/InstallGuideReserve](http://www.sunpower.maxeon.com/int/InstallGuideReserve)  
Ci riserviamo di modificare senza preavviso i presenti contenuti.  
Maxeon Solar Technologies, Ltd.  
[sunpower.maxeon.com](http://sunpower.maxeon.com)

<b>1.0</b>	<b>Introduzione</b>	<b>5</b>
1.1.	Esclusione di responsabilità	5
1.2.	Licenza open source	5
1.3	Livelli di messaggi	5
1.4.	Definizione di abbreviazioni e sostantivi	6
<b>2.0</b>	<b>Sicurezza</b>	<b>7</b>
2.1.	Uso previsto	7
2.2.	Istruzioni di sicurezza per la batteria	7
2.2.1.	Precauzioni di sicurezza generali	7
2.2.2.	Risposta alle situazioni di emergenza	8
2.3.	Istruzioni importanti relative alla sicurezza	9
2.4.	Spiegazione dei simboli	11
<b>3.0</b>	<b>Introduzione al prodotto e scenari di applicazione</b>	<b>13</b>
3.1.	Introduzione al sistema	13
3.2.	Descrizione dell'inverter	14
3.2.1.	Introduzione all'interfaccia elettrica dell'inverter	14
3.2.2.	Interfaccia display inverter	15
3.3	Descrizione della batteria	17
3.4.	Scenari di applicazione	19
3.4.1.	Sistema di accumulo ad accoppiamento in corrente continua	19
3.4.2.	Sistema di accumulo ad accoppiamento in corrente alternata	20
3.4.3.	Sistema di accumulo ad accoppiamento ibrido	20
<b>4.0</b>	<b>Stoccaggio e trasporto</b>	<b>21</b>
4.1.	Stoccaggio	21
4.2.	Trasporto	22
<b>5.0</b>	<b>Montaggio</b>	<b>23</b>
5.1.	Controllo dell'imballaggio esterno	23
5.2.	In dotazione	23
5.3.	Contenuto della confezione	23
5.4.	Preparazione di strumenti e attrezzi	25
5.5.	Requisiti per il montaggio	26
5.6.	Montaggio del sistema di accumulo di energia	28
5.6.1.	Montaggio della batteria	28
5.6.2.	Montaggio dell'inverter	29
5.6.3.	Montaggio del modulo Wi-Fi	30

<b>6.0</b>	<b>Collegamento elettrico</b>	<b>31</b>
<b>6.1.</b>	<b>Requisiti dei cavi per il collegamento</b>	<b>31</b>
<b>6.2.</b>	<b>Collegamento di una messa a terra aggiuntiva</b>	<b>32</b>
<b>6.3.</b>	<b>Collegamento CA</b>	<b>33</b>
6.3.1.	Requisiti per il collegamento CA	33
6.3.2.	Scelta dell'interruttore CA adatto	34
6.3.3.	Collegamento alla rete e al backup	34
6.3.4.	Valutazione TA	36
6.3.5.	Collegamento TA	37
6.3.6.	Collegamento del misuratore di potenza	39
<b>6.4.</b>	<b>Collegamento FV</b>	<b>41</b>
<b>6.5.</b>	<b>Collegamento elettrico tra l'inverter e i pacchi batteria</b>	<b>42</b>
6.5.1.	Collegamento elettrico tra l'inverter e la prima batteria	42
6.5.2.	Collegamento dei cavi di comunicazione	42
6.5.3.	Collegamento del cavo di alimentazione	43
6.5.4.	Collegamento elettrico delle batterie di espansione	45
6.5.5.	Altri collegamenti di comunicazione dell'inverter	46
<b>6.6.</b>	<b>Montaggio della batteria e delle parti esterne dell'inverter</b>	<b>48</b>
<b>6.7.</b>	<b>Montaggio dei tappi a vite (opzione)</b>	<b>50</b>
<b>7.0</b>	<b>Procedura di avvio e spegnimento</b>	<b>51</b>
<b>7.1.</b>	<b>Procedura di avvio</b>	<b>51</b>
<b>7.2.</b>	<b>Procedura di spegnimento</b>	<b>51</b>
<b>7.3.</b>	<b>Controlli prima dell'avvio</b>	<b>52</b>
<b>8.0</b>	<b>Configurazione di un nuovo sistema (messa in servizio)</b>	<b>53</b>
<b>8.1.</b>	<b>Collegamento del sistema a Internet</b>	<b>53</b>
<b>8.2.</b>	<b>Download e installazione dell'applicazione SunPower One</b>	<b>54</b>
<b>8.3.</b>	<b>Messa in servizio di SunPower Reserve</b>	<b>54</b>
<b>8.4.</b>	<b>Accensione e controllo dello stato del sistema</b>	<b>55</b>
<b>8.5.</b>	<b>Controllo del backup in corrente alternata (se disponibile)</b>	<b>55</b>
<b>8.6.</b>	<b>Istruire l'utente finale riguardo all'installazione dell'app SunPower One</b>	<b>55</b>
<b>9.0</b>	<b>Manutenzione e risoluzione dei problemi</b>	<b>56</b>
<b>9.1.</b>	<b>Manutenzione ordinaria</b>	<b>56</b>
<b>9.2.</b>	<b>Risoluzione dei problemi</b>	<b>56</b>
9.2.1.	Risoluzione degli errori dell'inverter	57
9.2.2.	Descrizione degli errori dell'inverter	59
9.2.3.	Descrizione della protezione della batteria	60
9.2.4.	Descrizione degli errori della batteria	62



<b>10.0</b>	<b>Disinstallazione e restituzione</b>	<b>63</b>
<b>10.1.</b>	<b>Rimozione del prodotto</b>	<b>63</b>
<b>10.2.</b>	<b>Imballaggio del prodotto</b>	<b>63</b>
<b>10.3.</b>	<b>Smaltimento del prodotto</b>	<b>63</b>
<b>11.0</b>	<b>Specifiche</b>	<b>64</b>
<b>11.1.</b>	<b>Scheda tecnica dell'inverter</b>	<b>64</b>
<b>11.2.</b>	<b>Scheda tecnica della batteria</b>	<b>67</b>
<b>12.0</b>	<b>Appendice 1: Panoramica del sistema</b>	<b>68</b>
<b>12.1.</b>	<b>Schema elettrico del sistema per l'Australia</b>	<b>68</b>
12.1.1.	Configurazione ad accoppiamento ibrido o in corrente alternata (AUS)	68
12.1.2.	Configurazione ad accoppiamento in corrente continua (AUS)	69
<b>12.2.</b>	<b>Schema elettrico del sistema per l'Europa</b>	<b>70</b>
12.2.1.	Configurazione ad accoppiamento ibrido o in corrente alternata (UE)	70
12.2.2.	Configurazione ad accoppiamento in corrente continua (UE)	71
<b>13.0</b>	<b>Appendice 2: Riferimento norme nazionali</b>	<b>72</b>

# 1.0 Introduzione

## 1.1. Esclusione di responsabilità

Questo documento è destinato alle persone qualificate e agli utenti finali.

Le operazioni contrassegnate dal simbolo di PERICOLO o ATTENZIONE possono essere eseguite solo da personale qualificato. Gli utenti finali privi di qualifiche specifiche possono eseguire qualsiasi attività non contrassegnata.

Requisiti delle persone qualificate:




- Conoscenza del funzionamento di un inverter
- Conoscenza del funzionamento delle batterie
- Formazione su come gestire i pericoli e i rischi associati all'installazione, alla riparazione e all'utilizzo di dispositivi, batterie e impianti elettrici
- Formazione relativa all'installazione e alla messa in servizio di dispositivi e impianti elettrici
- Conoscenza delle leggi, delle norme e delle direttive di installazione vigenti nella nazione
- Conoscenza del presente documento e osservanza delle indicazioni in esso contenute, incluse tutte le precauzioni di sicurezza
- Conoscenza dei documenti del produttore della batteria e osservanza delle indicazioni in essi contenute, incluse tutte le precauzioni di sicurezza

## 1.2. Licenza open source

Questo prodotto contiene software open source sviluppato da terze parti e concesso in licenza tramite veicoli quali GPL e/o LGPL. Per maggiori dettagli, un elenco dei software open source utilizzati e i relativi testi della licenza, consultare la sezione Licenze sulla nostra app SunPower e sul sito web di Maxeon (<https://corp.maxeon.com/legal>).

## 1.3. Livelli di messaggi

Quando si maneggia il prodotto, potrebbero presentarsi i seguenti livelli di messaggi

 <b>PERICOLO</b>	Il termine PERICOLO indica una situazione di pericolo che, se non viene evitata, può causare morte o lesioni gravi.
 <b>ATTENZIONE</b>	ATTENZIONE indica una situazione che, se non viene evitata, può provocare danni materiali e/o lesioni di lieve o media entità.
 <b>SUGGERIMENTO</b>	Il SUGGERIMENTO fornisce informazioni per l'installazione e il funzionamento ottimale del prodotto.

## 1.4. Definizione di abbreviazioni e sostantivi

Abbreviazione	Descrizione
AUX	Ausiliaria
BAT	Batteria
BMS	Sistema di gestione della batteria
CA	Corrente alternata
CC	Corrente continua
DNSP	Fornitore di servizi di rete distribuiti
DRM	Modalità di risposta alla domanda
EMS	Sistema di gestione dell'energia
FV	Fotovoltaico
INV	Inverter
LED	Diodo a emissione di luce
SOC	Stato di carica
TA	Trasformatori di corrente

## 2.0 Sicurezza

### 2.1. Uso previsto

Prodotto/i	Uso previsto e requisiti di installazione
<b>Il sistema SunPower Reserve comprende:</b> <ul style="list-style-type: none"><li>• <b>RESERVE-INV-1-P5-L1-INT</b></li><li>• <b>RESERVE-BAT-1-DC-10.1-INT</b></li><li>• <b>Trasformatori di corrente o contatori elettrici</b></li></ul>	<p>Il sistema SunPower Reserve è destinato all'installazione in abitazioni residenziali per ottimizzare l'autoconsumo. È adatto per l'installazione in ambienti interni ed esterni.</p> <p>Tutti i componenti devono operare in uno scenario adatto al loro funzionamento. Qualsiasi utilizzo del prodotto diverso da quello descritto in questa sezione non è considerato corretto. Assicurarsi di utilizzare questo prodotto in conformità con le informazioni fornite nei documenti di accompagnamento e con gli standard e le direttive locali.</p> <p>Qualsiasi altra operazione può causare lesioni personali o danni alle cose. Eventuali alterazioni del prodotto, ad esempio cambiamenti o modifiche, sono consentite solo dietro espressa autorizzazione scritta di Maxeon Solar Technologies.</p> <p>Le modifiche non autorizzate annullano la garanzia e i diritti di garanzia. Maxeon Solar Technologies non sarà responsabile di eventuali danni causati da tali modifiche.</p> <p>La targhetta d'identificazione deve rimanere attaccata al prodotto in modo permanente.</p> <p>Questo documento è parte integrante del prodotto. Assicurarsi che sia accessibile per future necessità e rispettare tutte le istruzioni in esso contenute.</p>
<b>INVERTER:</b> <b>RESERVE-INV-1-P5-L1-INT</b>	<p>L'inverter viene utilizzato per il trasferimento bidirezionale tra corrente alternata e corrente continua.</p> <p>Deve essere utilizzato solo con impianti fotovoltaici di classe di protezione II in conformità alla norma IEC 61730, classe di applicazione A. La capacità di accoppiamento dei moduli fotovoltaici non deve superare 1,0 µF.</p>
<b>BATTERIA:</b> <b>RESERVE-BAT-1-DC-10.1-INT</b>	<p>Il pacco batterie deve essere utilizzato solo per l'accumulo di energia con un inverter SunPower Reserve.</p>

## 2.2. Istruzioni di sicurezza per la batteria


### 2.2.1 Precauzioni di sicurezza generali

1. Una sovratensione o un cablaggio errato possono danneggiare il pacco batterie e causare una deflagrazione che può essere estremamente pericolosa.
2. Tutti i tipi di guasto della batteria possono provocare una fuoriuscita di elettroliti o di gas infiammabile.
3. Il pacco batterie non è riparabile dall'utente. Nel dispositivo è presente alta tensione.
4. Leggere l'etichetta con i simboli di avvertenza e le precauzioni, situata sul lato destro del pacco batterie.

5. Non collegare i conduttori CA o FV direttamente al pacco batterie, che deve essere collegato solo all'inverter.
6. Non caricare o scaricare la batteria danneggiata.
7. Non danneggiare il pacco batterie facendolo cadere, deformandolo, urtandolo, tagliandolo o penetrandolo con un oggetto appuntito. Potrebbe causare una fuoriuscita di elettroliti o un incendio.
8. Non esporre la batteria a fiamme libere.



## 2.2.2. Risposta alle situazioni di emergenza




Il pacco batterie è stato progettato per evitare i pericoli causati da un malfunzionamento. Se l'incidente avviene a terra, rimuovere gli oggetti dal pacco batterie danneggiato e, se possibile, separarli in modo sicuro e chiamare i vigili del fuoco o il tecnico dell'assistenza locale. Se l'incidente avviene in acqua, restare fuori dall'acqua e non toccare nulla se una qualsiasi parte della batteria, dell'inverter o del cablaggio è sommersa. Non utilizzare più la batteria e contattare l'assistenza tecnica.

Scenario	Azioni consigliate
<b>Se l'involucro della batteria è danneggiato e l'utente tocca il materiale interno delle celle della batteria</b>	<ol style="list-style-type: none"> <li>1. <b>In caso di inalazione:</b> Abbandonare immediatamente l'area contaminata e rivolgersi a un medico.</li> <li>2. <b>In caso di ferimento agli occhi:</b> Sciacquare gli occhi con acqua corrente per 15 minuti e rivolgersi a un medico.</li> <li>3. <b>In caso di ferimento alla pelle:</b> Lavare accuratamente con sapone l'area di contatto e rivolgersi a un medico.</li> <li>4. <b>In caso di ingestione:</b> Indurre il vomito e rivolgersi a un medico.</li> </ol>
<b>In caso di incendio nel luogo in cui è installato il pacco batterie</b>	<p><b>Cosa usare:</b></p> <ul style="list-style-type: none"> <li>• FM-200, CO<sup>2</sup> o altro estintore adatto all'incendio della batteria.</li> <li>• L'estintore ABC può essere utilizzato su altri oggetti, dove non entra in contatto con il pacco batterie.</li> </ul> <p><b>Cosa fare:</b></p> <ol style="list-style-type: none"> <li>1. In caso di incendio durante la carica delle batterie, se è sicuro farlo, scollegare l'interruttore del pacco batterie per interrompere l'alimentazione della carica.</li> <li>2. Se il pacco batterie non si è ancora incendiato, spegnere le fiamme prima che prenda fuoco.</li> <li>3. Se il pacco batterie prende fuoco, non cercare di spegnerlo ma far evacuare immediatamente le persone.</li> </ol>
 <p><b>In caso di incendio della parte posteriore della batteria</b></p>	<p>Se le batterie vengono riscaldate a una temperatura superiore a 150 °C, è possibile che si verifichi un'esplosione. Quando il pacco batterie si incendia, fuoriescono gas velenosi. <b>Non avvicinarsi.</b></p>











## 2.3. Istruzioni importanti relative alla sicurezza

Scenari ad alto rischio	Azioni consigliate
 <p><b>Pericolo di morte per scossa elettrica in caso di contatto con componenti o cavi sotto tensione</b></p>	<p>Nei componenti conduttivi o nei cavi dell'inverter è presente alta tensione. Toccare parti e cavi sotto tensione può causare la morte o lesioni letali dovute alla scarica elettrica.</p> <ul style="list-style-type: none"><li>• Non toccare parti o cavi non isolati.</li><li>• Prima di intervenire sull'inverter o sul pacco batterie, scollegare il prodotto dalle fonti di tensione e assicurarsi che non possa essere ricollegato.</li><li>• Dopo la disconnessione, attendere per 5 minuti che i condensatori all'interno dell'inverter si scarichino.</li><li>• Non aprire il prodotto.</li><li>• Indossare dispositivi di protezione individuale adeguati per tutte le operazioni sul prodotto.</li></ul>
 <p><b>Pericolo di morte provocata da tensioni pericolose sul pacco batterie</b></p>	<p>Sul connettore del cavo di alimentazione è presente una tensione pericolosa. Toccare il connettore del cavo di alimentazione comporta il rischio di una scossa elettrica letale.</p> <ul style="list-style-type: none"><li>• Non aprire il pacco batterie.</li><li>• Non strofinare il pacco batterie con un panno umido.</li><li>• Lasciare i cappucci protettivi sui connettori per il collegamento di alimentazione delle batterie fino a quando i cavi dell'inverter non vengono collegati al pacco batterie. Prima di intervenire sull'inverter o sul pacco batterie, scollegare il sistema dalle fonti di tensione e assicurarsi che non possa essere ricollegato</li></ul>
 <p><b>Pericolo di morte per scossa elettrica dovuta al contatto con un modulo fotovoltaico o il telaio di una stringa fotovoltaica privi di messa a terra</b></p>	<ul style="list-style-type: none"><li>• Toccare i moduli fotovoltaici o i telai delle stringhe privi di messa a terra può causare la morte o lesioni letali dovute alla scarica elettrica.</li><li>• Collegare e mettere a terra il telaio dei moduli fotovoltaici, il telaio della stringa e le superfici elettricamente conduttive in modo da garantire una conduzione continua.</li><li>• Rispettare le normative locali vigenti.</li></ul>
 <p><b>Pericolo di morte per scossa elettrica in caso di contatto con componenti sotto tensione o cavi FV</b></p>	<p>Quando i pannelli FV sono esposti alla luce del sole, la stringa FV genera un'alta tensione continua che è presente nei cavi CC. Toccare i cavi CC sotto tensione può causare la morte o lesioni letali dovute alla scarica elettrica.</p> <ul style="list-style-type: none"><li>• Prima di intervenire sul dispositivo, scollegare l'inverter dalle fonti di tensione e assicurarsi che non possa essere ricollegato.</li><li>• Non toccare parti o cavi non isolati.</li><li>• Non scollegare i connettori CC sotto carico.</li><li>• Indossare dispositivi di protezione individuale adeguati per tutti gli interventi sull'inverter.</li></ul>













Scenari ad alto rischio	Azioni consigliate
 <p><b>Pericolo di morte per scossa elettrica quando si toccano componenti del sistema sotto tensione in caso di guasto a terra</b></p>	<p>Quando si verifica un guasto a terra, alcune parti del sistema possono essere ancora sotto tensione. Toccare parti e cavi sotto tensione può causare la morte o lesioni letali dovute alla scarica elettrica.</p> <ul style="list-style-type: none"> <li>• Prima di intervenire sul dispositivo, scollegare il prodotto dalle fonti di tensione e assicurarsi che non possa essere ricollegato.</li> <li>• Toccare i cavi della stringa FV solo sull'isolamento.</li> <li>• Non toccare nessuna parte della sottostruttura o del telaio della stringa FV.</li> <li>• Non collegare all'inverter stringhe FV con guasti a terra.</li> </ul>
 <p><b>Rischio di ustioni chimiche da elettroliti o gas tossici</b></p>	<p>Durante il normale funzionamento, non si verificano fuoriuscite di elettroliti dal pacco batterie e non si formano gas tossici. Nonostante la realizzazione attenta, se il pacco batterie viene danneggiato o si verifica un guasto, è possibile che gli elettroliti fuoriescano e che si formino gas tossici.</p> <ul style="list-style-type: none"> <li>• Conservare il pacco batterie in un luogo fresco e asciutto.</li> <li>• Non far cadere il pacco batterie e non danneggiarlo con oggetti appuntiti.</li> <li>• Appoggiare il pacco batterie solo sul lato posteriore o inferiore.</li> <li>• Non aprire il pacco batterie.</li> <li>• Non installare o utilizzare il pacco batterie in atmosfere potenzialmente esplosive o in aree ad alta umidità.</li> <li>• Se nel pacco batterie è penetrata dell'umidità (ad esempio, a causa di un alloggiamento danneggiato), non installarlo né utilizzarlo.</li> <li>• In caso di contatto con gli elettroliti, sciacquare subito le aree interessate con acqua e consultare immediatamente un medico.</li> </ul>

Scenari di precauzione	Azioni consigliate
 <p><b>Rischio di ustioni a causa del dissipatore e dell'alloggiamento caldi</b></p>	<p>L'involucro e il coperchio dell'inverter possono surriscaldarsi durante il funzionamento. Durante il funzionamento, non toccare nient'altro che il coperchio dell'inverter.</p>
 <p><b>Danni all'inverter dovuti a scariche elettrostatiche</b></p>	<ul style="list-style-type: none"> <li>• Toccare i componenti elettronici può danneggiare o distruggere l'inverter e la batteria a causa delle scariche elettrostatiche.</li> <li>• Assicurarsi di scaricare a terra prima di toccare qualsiasi componente.</li> </ul>
 <p><b>Danni dovuti ai detergenti</b></p>	<ul style="list-style-type: none"> <li>• L'uso di detergenti può danneggiare il sistema di accumulo di energia e i suoi componenti.</li> <li>• Pulire il sistema e tutti i suoi componenti solo con un panno inumidito con acqua pulita.</li> </ul>

## 2.4. Spiegazione dei simboli

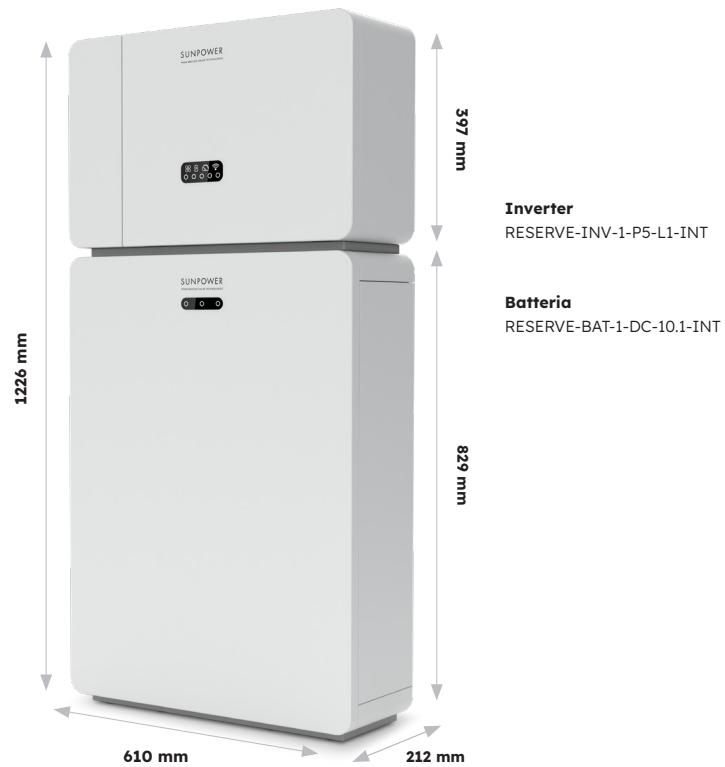
Simboli dell'inverter	Spiegazione
	Attenzione alle zone di pericolo Questo simbolo indica che l'inverter deve essere messo a terra se sono necessari una messa a terra aggiuntiva o un collegamento equipotenziale nel luogo di installazione.
	Attenzione alla tensione elettrica Il prodotto funziona a tensioni elevate.
	Attenzione alle superfici calde Il prodotto può surriscaldarsi durante il funzionamento.
	Pericolo di morte dovuta all'alta tensione nell'inverter, rispettare un tempo di attesa di 5 minuti. Prima di eseguire qualsiasi intervento sull'inverter, scollegarlo da tutte le fonti di tensione come descritto nel presente documento.
	Designazione WEEE Non smaltire il prodotto insieme ai rifiuti domestici, bensì in conformità con le norme sullo smaltimento dei rifiuti elettronici vigenti nel luogo di installazione.
	Osservare la documentazione
	Marchio CE Il prodotto è conforme ai requisiti delle direttive UE vigenti.
	Sicurezza certificata Il prodotto è testato dal TUV ed è conforme ai requisiti della legge europea sulla sicurezza delle apparecchiature e dei prodotti.
	RCM (Regulatory Compliance Mark) Il prodotto è conforme ai requisiti degli standard australiani vigenti.
	Marchatura UKCA Il prodotto è conforme ai regolamenti delle leggi vigenti in Inghilterra, Galles e Scozia.
	Etichettatura RoHS Il prodotto è conforme ai requisiti delle direttive UE vigenti.



Simboli della batteria	Spiegazione
	Attenzione alle zone di pericolo Questo simbolo indica che il pacco batterie deve essere messo a terra se sono necessari una messa a terra aggiuntiva o un collegamento equipotenziale nel luogo di installazione.
	Rischio di ustioni chimiche
	Rischio di esplosione
	Osservare la documentazione
	Rischio di fuoriuscita di elettroliti
	Marchio CE Il prodotto è conforme ai requisiti delle direttive UE vigenti.
	Consultare le istruzioni per il funzionamento
	Usare una protezione per gli occhi
	Fiamme, illuminazione nuda e fumo sono vietati
	Installare il prodotto lontano dalla portata dei bambini
 Ioni di litio	Non smaltire il pacco batterie insieme ai rifiuti domestici, bensì in conformità con le normative locali sullo smaltimento delle batterie
	Codice di riciclo
<b>UN38.3</b>	Marcatura per il trasporto di merci pericolose Il prodotto supera le certificazioni della normativa UN38.3

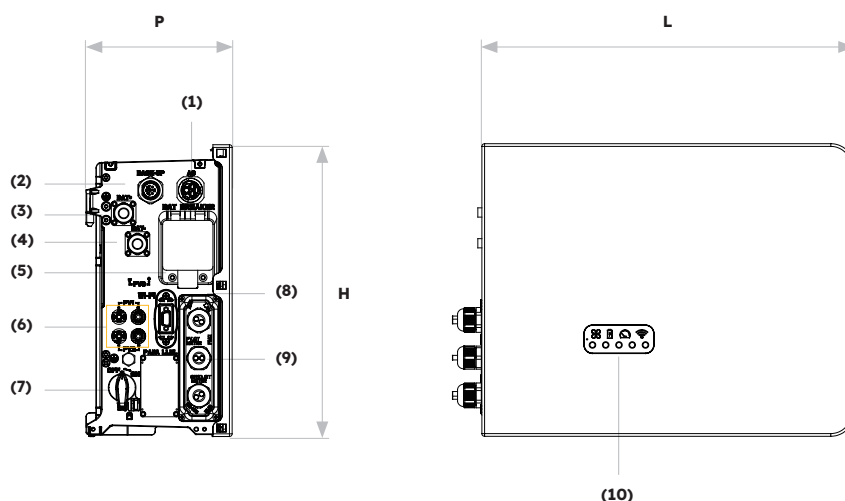
## 3.0 Introduzione al prodotto e scenari di applicazione

### 3.1. Introduzione al sistema



## 3.2. Descrizione dell'inverter

### 3.2.1. Introduzione all'interfaccia elettrica dell'inverter



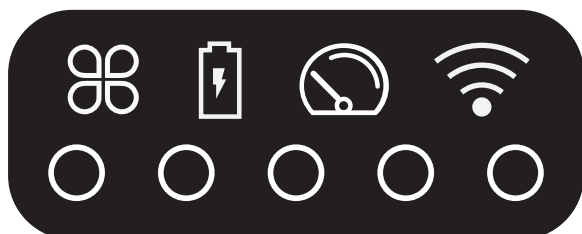
Posizione	Descrizione
1	Connettore di rete
2	Connettore di backup
3	Connettore di alimentazione positivo della batteria
4	Connettore di alimentazione negativo della batteria
5	Interruttore della batteria* dell'inverter
6	Connettori FV positivi e negativi, PV1/PV2
7	Interruttore FV*
8	Porta Wi-Fi
9	Comunicazione (porte CAN/RS485, BMS, LAN, Contatore/TA di rete, DRM**, TA FV, AUX)
10	LED dell'inverter

\* Tutti gli interruttori dell'inverter sono spenti al momento della spedizione.

\*\* Il DRM è destinato esclusivamente alle regioni con normative di sicurezza AS/NZS 4777.2.

### 3.2.2. Interfaccia display inverter

Sul display dell'inverter sono presenti nove indicatori LED.







#### Indicatori LED superiori

I quattro LED di sistema forniscono informazioni sullo stato e sulle attività del sistema

#### Indicatori LED inferiori

Cinque LED sono utilizzati per indicare lo stato di carica della batteria (o delle batterie) durante il normale funzionamento

Tuttavia, quando il sistema presenta un guasto, la combinazione dei LED superiore e inferiore viene utilizzata per visualizzare i codici di errore, come ad esempio:

Stato normale	Descrizione	Stato anomalo	Descrizione
 <b>SISTEMA</b>	<b>Luce bianca</b> Il sistema funziona normalmente	 <b>SISTEMA</b>	<b>Luce rossa</b> Il sistema è in errore
 <b>CONTATORE</b>	<b>Luce bianca</b> La comunicazione con il contatore funziona normalmente	 <b>CONTATORE</b>	<b>Nessuna luce</b> Contatore perso
 <b>BATTERIA</b>	<b>Luce bianca</b> La batteria funziona normalmente	 <b>BATTERIA</b>	<b>Nessuna luce</b> La batteria non funziona normalmente
 <b>COMUNICAZIONI</b>	<b>Luce bianca</b> Server collegato	 <b>COMUNICAZIONI</b>	<b>Nessuna luce</b> Server disconnesso

Anche le luci dell'inverter funzioneranno in modo diverso durante il processo di download e aggiornamento del software:

Luce	Durante il processo di download e aggiornamento del software
Display luminoso dell'inverter	Mentre l'inverter sta scaricando il file per aggiornare il firmware, i 5 LED inferiori scorreranno da entrambi i lati verso il centro. Quando il processo di download è terminato e inizia il processo di aggiornamento, i 5 LED inferiori scorreranno dal centro verso i due lati.
Display luminoso della batteria	Il numero di luci da sinistra a destra è 1-3. Durante l'aggiornamento, la luce bianca n. 3 lampeggia velocemente, mentre gli altri due LED sono spenti.

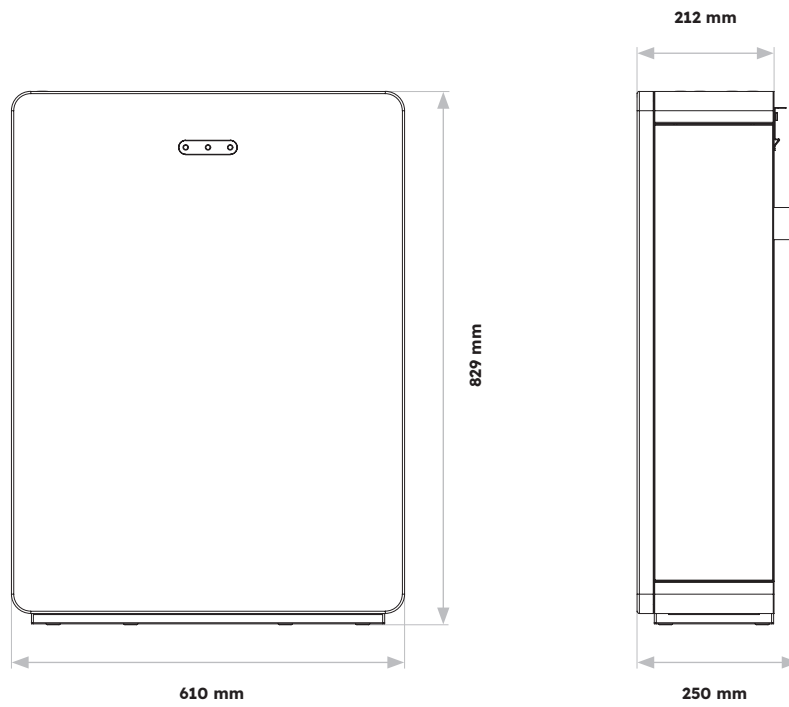
Gli indicatori LED inferiori sul coperchio anteriore dell'inverter forniscono informazioni sullo stato di carica (SOC). Se tutte le batterie stanno funzionando normalmente, verranno visualizzati in bianco fisso o spenti.

Durante i vari stati di carica, le spie verranno visualizzate nel modo seguente:

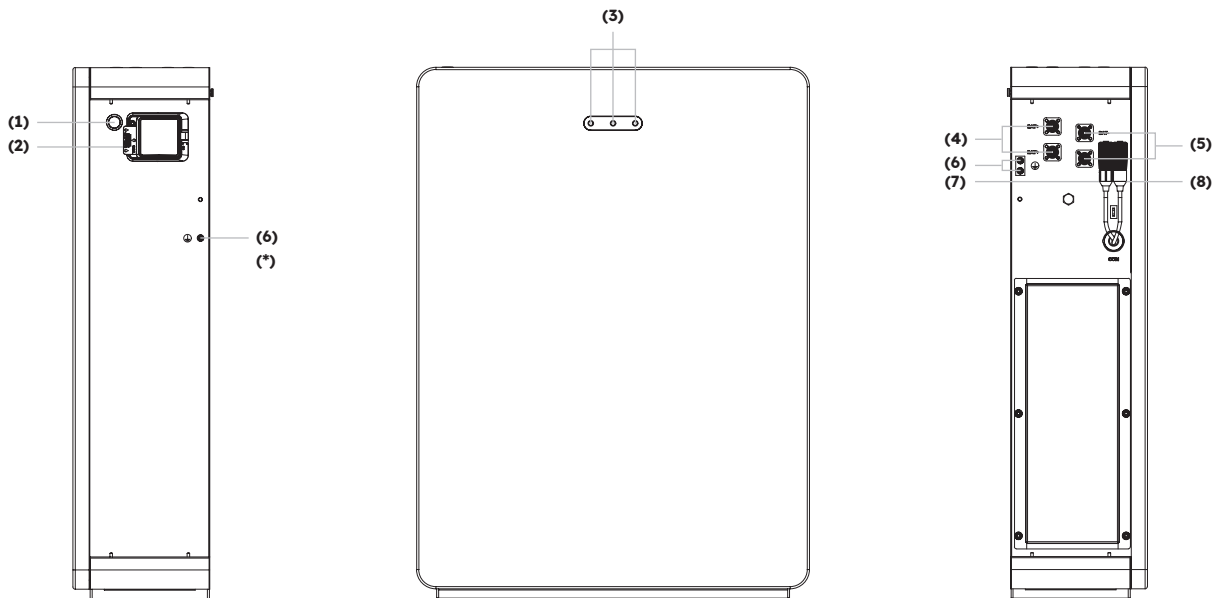
Stato di carica (SoC)	Descrizione
	$SOC \leq 5,2\%$
	$5,2\% < SOC \leq 9,5\%$
	$9,5\% < SOC \leq 25,2\%$
	$25,2\% < SOC \leq 50\%$
	$50\% < SOC \leq 75,2\%$
	$75,2\% \leq SOC \leq 100\%$

### 3.3 Descrizione della batteria

Aspetto e dimensioni del pacco batterie:



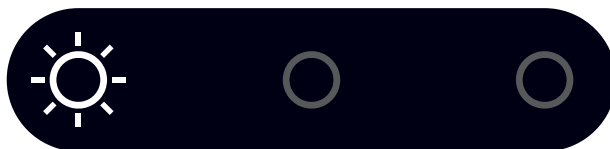
Panoramica dell'area di collegamento:



Posizione	Descrizione
1	Pulsante di avvio della batteria
2	Interruttore batteria
3	Display LED batteria
4	Connettore di alimentazione Batteria +
5	Connettore di alimentazione Batteria -
6	Morsetto di messa a terra
7	BMS COM (1)
8	BMS COM (2) (con resistenza di terminazione)

### Display LED batteria

I tre indicatori LED sul coperchio anteriore della batteria forniscono informazioni sullo stato operativo SOC della singola batteria con luci bianche fisse o lampeggianti:



Stato di carica (SoC)	Descrizione
	$SOC \leq 10\%$
	$10\% < SOC \leq 30\%$
	$30\% < SOC \leq 50\%$
	$50\% < SOC \leq 60\%$
	$60\% < SOC \leq 90\%$
	$90\% < SOC \leq 100\%$

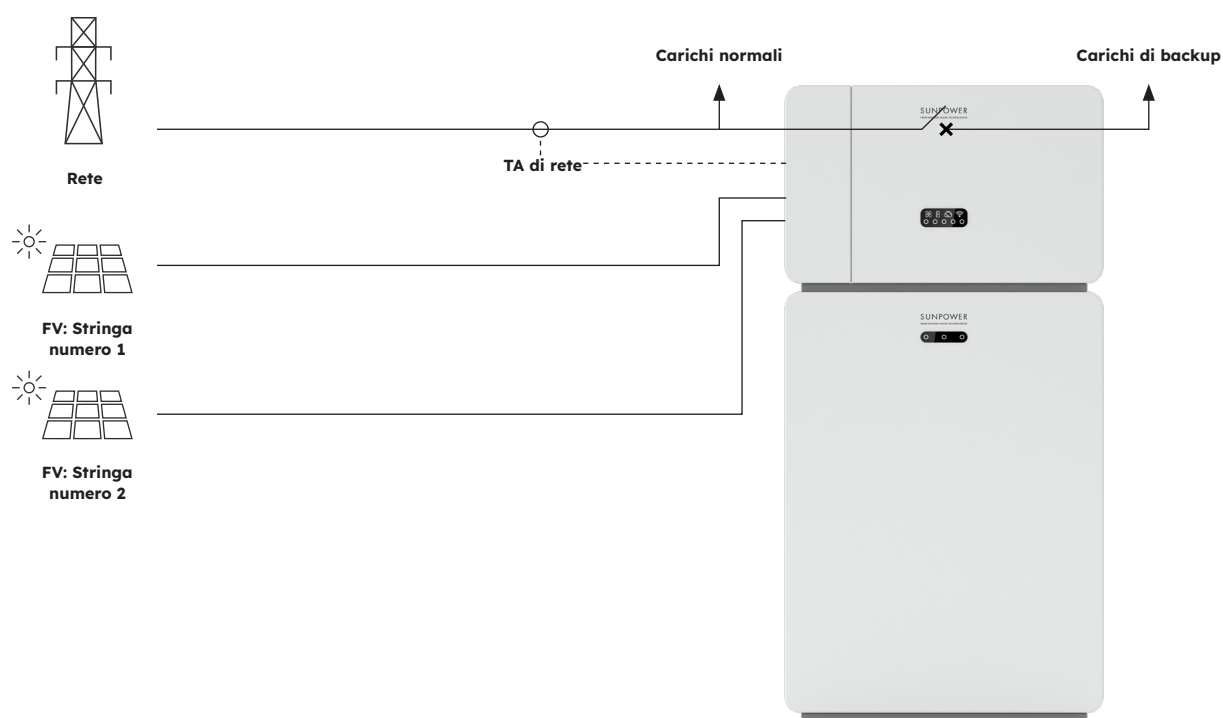
## 3.4 Scenari di applicazione

Il sistema SunPower Reserve è un sistema di accumulo flessibile che può essere utilizzato in tutti i seguenti scenari:

Applicazione	Descrizione	Vantaggi
<b>CC</b>	Prima installazione di una stringa FV L'inverter ibrido gestirà sia il solare che la batteria	Non è necessario un inverter aggiuntivo
<b>CA</b>	È stato installato un impianto FV in precedenza o l'impianto utilizza microinverter. Il sistema sarà composto da inverter dedicati per l'energia solare e per le batterie	<ul style="list-style-type: none"> <li>I carichi possono essere prelevati contemporaneamente dalla batteria e dal FV.</li> <li>Il sistema di batterie può essere adattato in un secondo momento</li> </ul>
<b>Ibrido</b>	Un impianto FV è stato installato in precedenza e un nuovo impianto FV viene aggiunto come sistema separato; l'inverter ibrido gestirà il nuovo impianto solare e la batteria	<ul style="list-style-type: none"> <li>Può essere accoppiato a qualsiasi impianto fotovoltaico già presente</li> <li>Aumentare le dimensioni del sistema e il controllo senza modificare l'impianto FV originale</li> </ul>

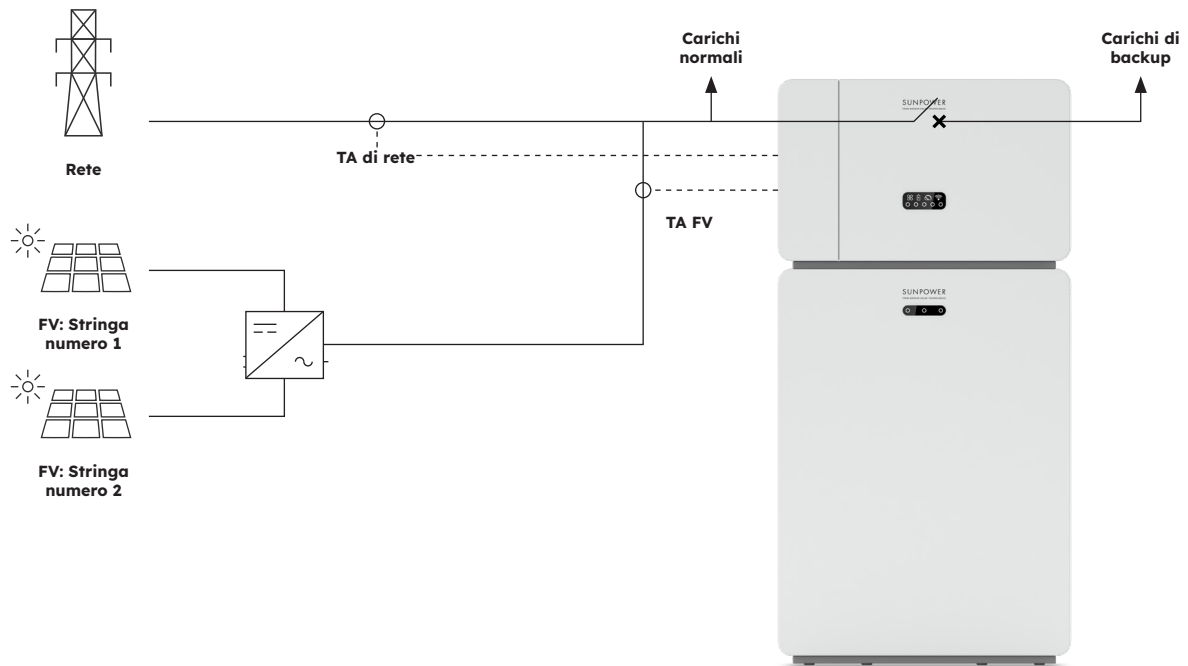
Un esempio di ciascuno di questi scenari:

### 3.4.1. Sistema di accumulo ad accoppiamento in corrente continua

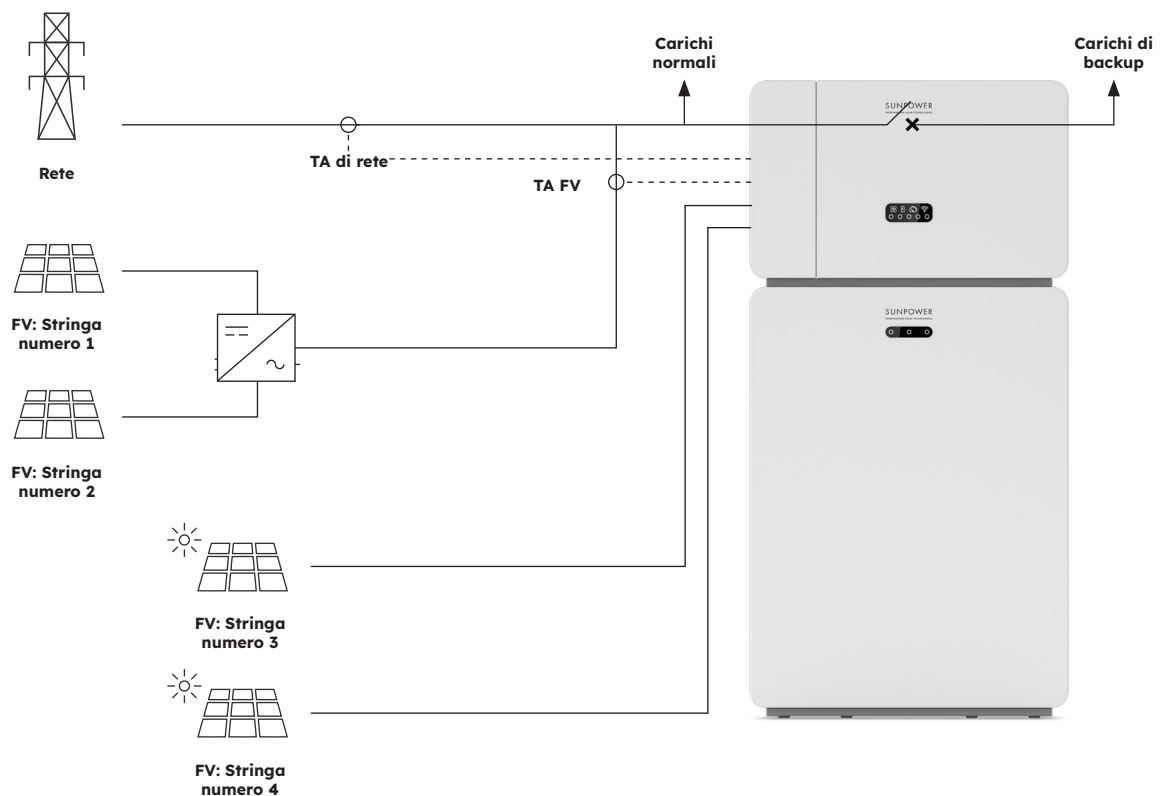




### 3.4.2. Sistema di accumulo ad accoppiamento in corrente alternata



### 3.4.3. Sistema di accumulo ad accoppiamento ibrido



## 4.0 Stoccaggio e trasporto

### 4.1. Stoccaggio

Se l'inverter non viene utilizzato direttamente, è necessario rispettare i seguenti requisiti:

Prodotto/i	Indicazioni per lo stoccaggio
<b>Inverter:</b> <b>RESERVE-INV-1-P5-L1-INT</b>	<ol style="list-style-type: none"><li>1. Non disimballare l'inverter.</li><li>2. Mantenere la temperatura di stoccaggio a -40 °C/+70 °C e l'umidità al 5%/95% RH.</li><li>3. L'inverter deve essere conservato in un luogo pulito e asciutto e deve essere protetto dalla polvere e dalla corrosione del vapore acqueo.</li><li>4. È possibile impilare un massimo di cinque inverter. Per evitare lesioni personali o danni al dispositivo, impilare gli inverter con attenzione per evitare che cadano.</li><li>5. Durante il periodo di stoccaggio, controllare periodicamente l'inverter. Sostituire tempestivamente i materiali di imballaggio danneggiati da insetti o roditori.</li><li>6. Se gli inverter sono stati conservati per più di due anni, devono essere controllati e testati da professionisti prima di essere messi in uso.</li></ol>
<b>Batteria:</b> <b>RESERVE-BAT-1-DC-10.1-INT</b>	<ol style="list-style-type: none"><li>1. Durante il periodo di stoccaggio, collocare le batterie in base alle indicazioni riportate sulla scatola di imballaggio. Non mettere le batterie in posizione capovolta o sul lato.</li><li>2. Impilare le custodie dei pacchi batteria rispettando i requisiti di impilamento riportati sulla confezione esterna.</li><li>3. Conservare il pacco batterie fuori dalla portata di bambini e animali.</li><li>4. Riporre il pacco batterie in un luogo in cui la polvere e la sporcizia siano minime.</li><li>5. Maneggiare le batterie con cautela per evitare di danneggiarle.</li><li>6. I requisiti dell'ambiente di stoccaggio sono i seguenti:<ol style="list-style-type: none"><li>a. Temperatura ambiente: -10 °C/+55 °C, temperatura di stoccaggio consigliata: 15 °C/30 °C</li><li>b. Umidità relativa: 15%/85%</li><li>c. Collocare le batterie in un luogo asciutto e pulito, con una ventilazione adeguata.</li><li>d. Collocare le batterie in un luogo lontano da solventi organici e gas corrosivi.</li><li>e. Tenere le batterie lontano dalla luce diretta del sole.</li><li>f. Tenere le batterie ad almeno 2 m di distanza da fonti di calore.</li></ol></li><li>7. Le batterie in deposito devono essere scollegate dai dispositivi esterni. Gli indicatori sulle batterie (se presenti) devono essere spenti.</li></ol>

8. Le batterie devono essere consegnate in base alla regola "first in, first out".
9. Il magazziniere deve raccogliere le informazioni sullo stoccaggio delle batterie ogni mese e riferire periodicamente le informazioni sull'inventario delle batterie al dipartimento di pianificazione. Le batterie che sono state conservate per quasi 6 mesi devono essere ricaricate.
10. Se una batteria al litio viene conservata per lungo tempo, può verificarsi una perdita di capacità. Dopo che una batteria al litio è stata conservata per 12 mesi alla temperatura consigliata, il tasso di perdita di capacità irreversibile è del 3%/10%. Si consiglia di non conservare le batterie per un lungo periodo. Se le batterie devono essere conservate per più di 6 mesi, si raccomanda di ricaricarle al 65%/75% del loro SOC

## 4.2. Trasporto

Durante il trasporto, seguire le seguenti indicazioni:

1. Usare l'imballaggio originale per il trasporto.
2. Maneggiare con cautela, scegliere il metodo di movimentazione più adeguato in base al peso e prestare attenzione alla sicurezza.
3. Durante il trasporto, evitare i danni meccanici e mantenere il prodotto asciutto.
4. Assicurare l'imballaggio durante il trasporto per evitare danni.
5. Rispettare le norme locali relative al sollevamento di oggetti pesanti e ai rischi per la sicurezza.

## 5.0 Montaggio

### 5.1. Controllo dell'imballaggio esterno

Prima di disimballare il prodotto, controllare che l'imballaggio esterno non presenti danni, come fori e crepe. Se si riscontrano danni, non disimballare il prodotto e contattare al più presto il proprio fornitore.

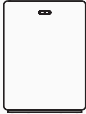

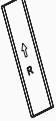
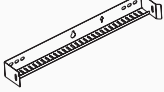




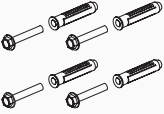


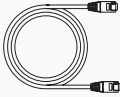


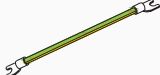
### 5.2. In dotazione

Controllare che la consegna sia completa e non presenti danni visibili all'esterno. Contattare il fornitore se la consegna è incompleta o danneggiata

### 5.3. Contenuto della confezione

Controllare i componenti inclusi nell'inverter e nella batteria in base all'elenco seguente.

Inverter (RESERVE-INV-1-P5-L1-INT)				
RESERVE-INV-1-P5-L1-INT (x1)	Piastra decorativa superiore (x1)	Copricavo (x1)	Base dell'inverter (x1)	Coppia di connettori FV MC4 (X2)
Modulo WiFi (x1)	Connettore di rete (x1)	Connettore di BACK UP (x1)	Connettore AUX (x1)	TA di rete (x1)
TA FV (x1)	Cavo TA di rete (x1)	Cavo TA FV (x1)	Cavo di alimentazione positivo della batteria (x1)	Cavo di alimentazione negativo della batteria (x1)
Cavo di comunicazione della batteria (x1)	Vite M4*10 (x2)	Vite M5*12 (x8)	Guida rapida all'installazione dell'inverter	Cavo di messa a terra

<b>BATTERIA (RESERVE-BAT-1-DC-10.1-INT)</b>				
				
Pacco batterie (x1)	Piastra laterale sinistra (x1)	Piastra laterale destra (x1)	Staffa a parete (x1)	M5 x 12 (X3)
				
Staffa di fine corsa (x2)	Viti di fissaggio in plastica (M5-L8) (x12)	Blocco in plastica (x4)	Viti di ancoraggio e di espansione (x4)	Morsettiere a Y (x2)
				
Guida rapida all'installazione della batteria (x1)	Cavo di comunicazione della batteria di espansione (x1)	Cavo di alimentazione positivo della batteria di espansione (x1)	Cavo di alimentazione negativo della batteria di espansione (x1)	Cavo di messa a terra (x1)

## 5.4. Preparazione di strumenti e attrezzi

Prima di installare l'unità, assicurarsi che siano disponibili le attrezzature e i dispositivi di sicurezza seguenti:

Strumenti e attrezzi e dispositivi di protezione individuale				
				
Trapano a percussione (con punta da $\varnothing 10\text{mm}$ )	Chiave dinamometrica M10	Multimetro (Intervallo di tensione CC 0-1000 V CC)	Pinze diagonali	Spellafili
				
Cacciavite PH2 (intervallo di coppia: 0-5 N m)	Mazzuolo di gomma	Coltello multiuso	Tagliacavi	Utensile per capicorda
				
Pinza per morsetti	Strumento di smontaggio e montaggio del connettore fotovoltaico	Aspirapolvere	Guaina termores-tringente	Pistola termica
				
Pennarello	Nastro di misurazione	Livella a bolla o digitale	Respiratore antipolvere	Scarpe di sicurezza
				
Guanti di sicurezza	Occhiali di sicurezza			

## 5.5. Requisiti per il montaggio



### PERICOLO

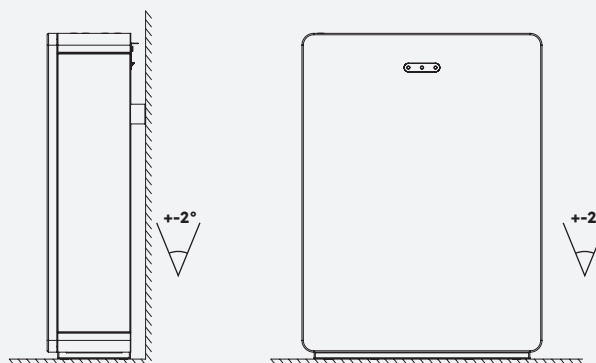
Nonostante la realizzazione attenta, i dispositivi elettrici possono causare incendi.

- Non montare il sistema di accumulo di energia in aree contenenti materiali o gas altamente infiammabili.
- Non montare il sistema in atmosfere potenzialmente esplosive.

Tipo	Requisiti
<b>Di base</b>	<ul style="list-style-type: none"><li>• Il sistema SunPower Reserve è adatto per l'uso in ambienti interni ed esterni.</li><li>• Non installare l'inverter in un luogo in cui una persona possa toccarlo facilmente perché l'involucro e il coperchio possono essere molto caldi durante il funzionamento.</li><li>• Non montare l'impianto in aree in cui sono presenti materiali infiammabili o esplosivi.</li><li>• Non montare l'impianto in un luogo alla portata dei bambini.</li><li>• Non montare l'impianto all'aperto in zone salmastre perché si corrode e può causare incendi. Per zona salmastra si intende la regione entro 500 m dalla costa o soggetta alla brezza marina.</li></ul>
<b>Ambiente di montaggio</b>	<ul style="list-style-type: none"><li>• L'impianto deve essere montato in un ambiente ben ventilato per garantire una buona dissipazione del calore.</li><li>• Non montare l'impianto in aree in cui potrebbe essere esposto alla luce del sole, la potenza potrebbe ridursi a causa del calore aggiuntivo.</li><li>• Montare l'impianto in un luogo riparato o montare una tenda sul prodotto.</li><li>• L'intervallo di temperatura ottimale per il pacco batterie è compreso tra 15 °C e 30 °C lontano dalla luce del sole.</li><li>• Non esporre o posizionare vicino a fonti d'acqua come pluviali o irrigatori.</li><li>• Se il pacco batterie viene montato in un'area in cui sono presenti veicoli, assicurarsi che abbia una protezione meccanica da essi.</li></ul>
<b>Struttura di montaggio</b>	<ul style="list-style-type: none"><li>• La superficie di montaggio retrostante l'impianto non deve consentire la propagazione degli incendi.</li><li>• Assicurarsi che il pavimento di montaggio sia robusto e in grado di sostenere il peso dell'impianto.</li></ul>

### Angolo di montaggio e impilamento

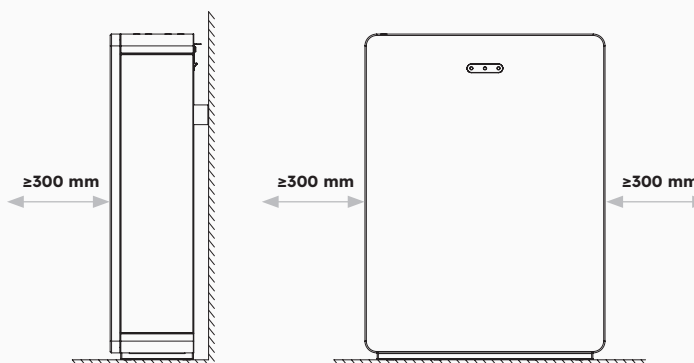
- L'inverter deve essere montato sulla batteria. L'angolo di installazione richiesto è:



- Non montare la batteria in posizione inclinata in avanti o lateralmente, orizzontale o capovolta

### Spazio di montaggio

- Riservarsi uno spazio sufficiente attorno al prodotto per l'installazione, la manutenzione e la dissipazione del calore.
- La distanza laterale è una raccomandazione. Se non ha alcuna influenza sul funzionamento e sulla manutenzione, la distanza deve essere il più possibile ridotta.



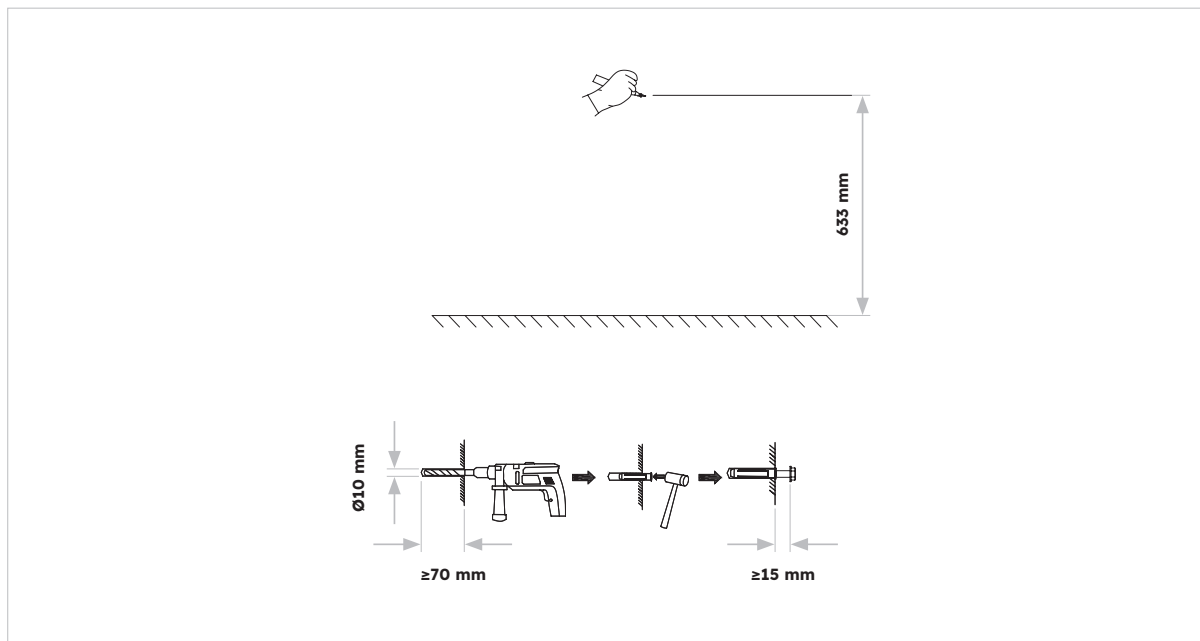


## 5.6 Montaggio del sistema di accumulo di energia

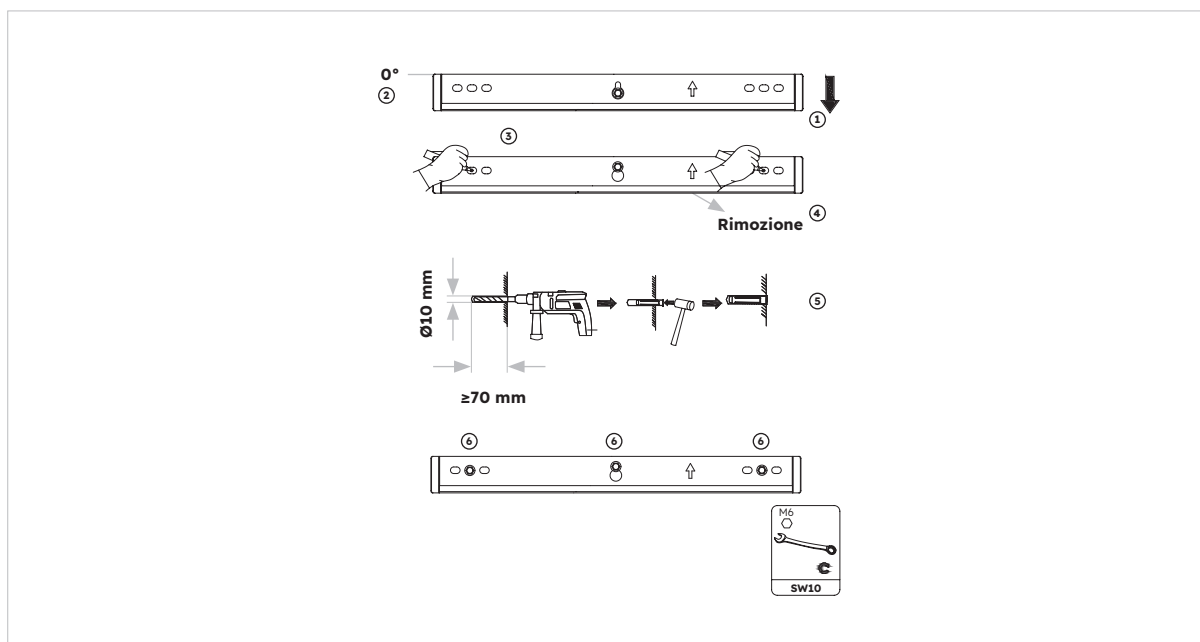
### 5.6.1. Montaggio della batteria

#### Istruzioni per il montaggio della batteria:

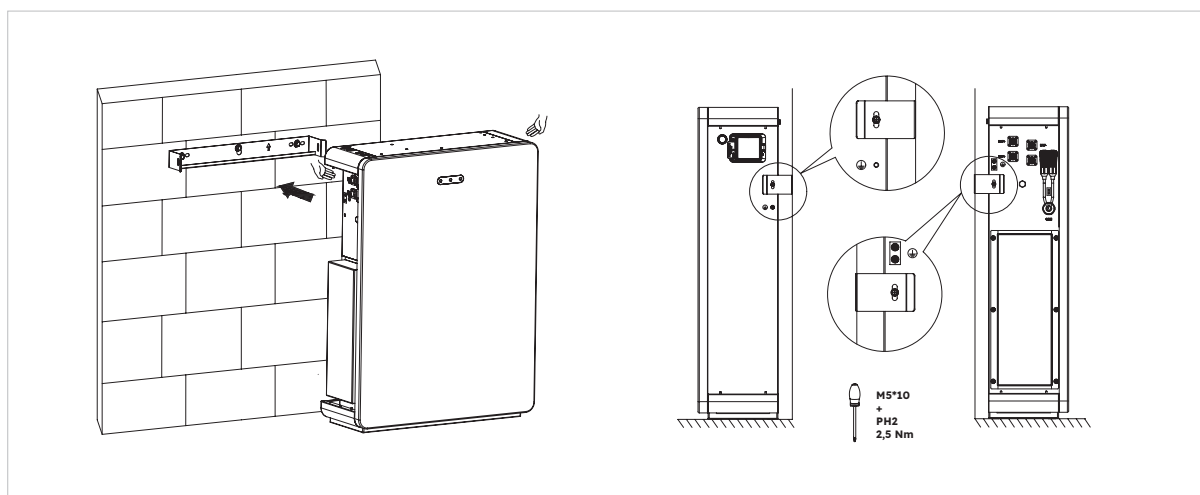
1. Estrarre la batteria dalla confezione e trasportarla nel luogo di installazione con un carrello a mano adeguato, dotato di dispositivo di fissaggio.



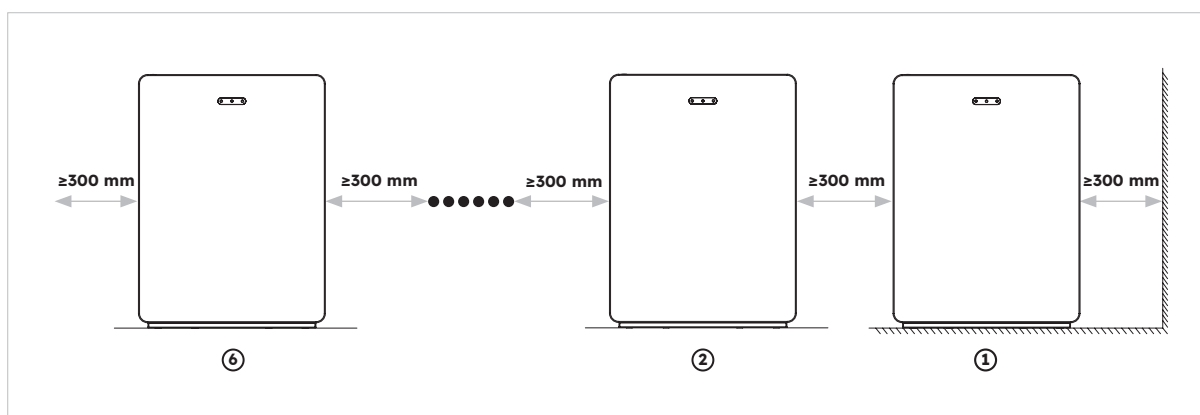
2. Marcare i fori e montare i pannelli a parete. Assicurarsi che la superficie sotto le batterie sia robusta e piana.



3. Fissare la batteria sulla staffa a parete con due viti M5\*10.



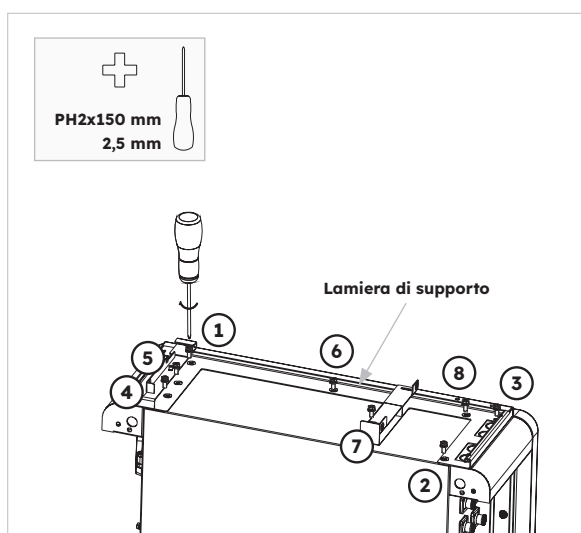
4. Per montare altre batterie (massimo 6 unità), seguire la procedura descritta sopra:



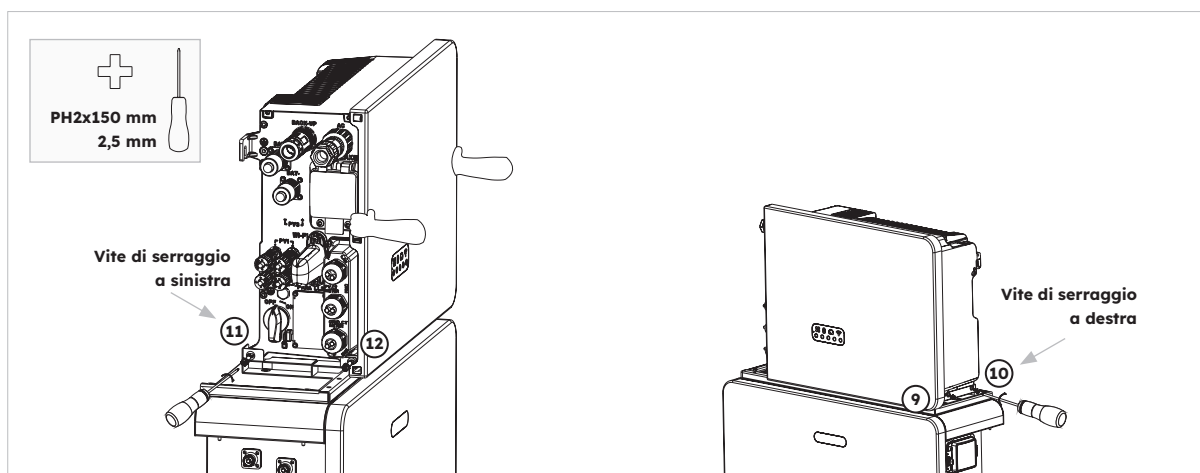
## 5.6.2. Montaggio dell'inverter

Istruzioni per il montaggio dell'inverter:

1. Montare la base dell'inverter sulla parte superiore della batteria e fissarla.



2. Fissare l'inverter ai lati della base dell'inverter e bloccare le viti a sinistra:



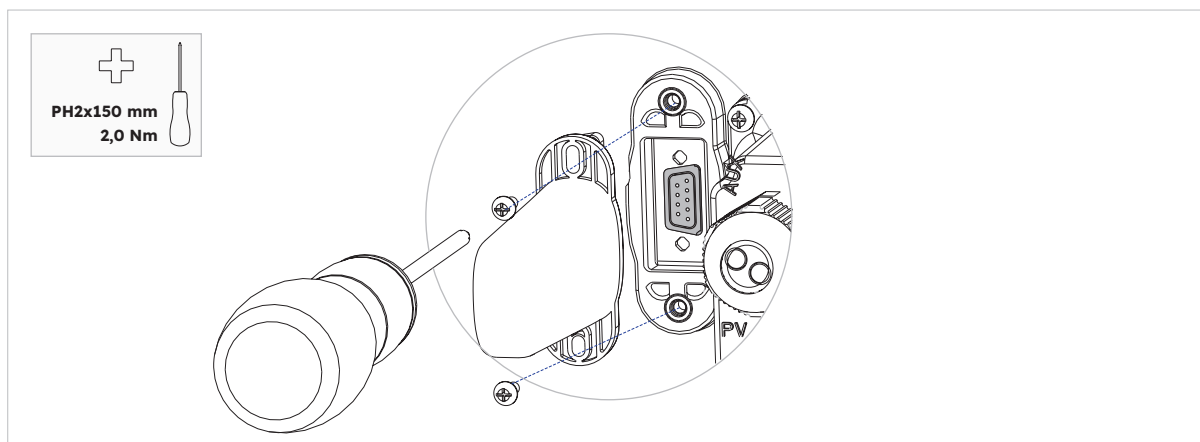
### 5.6.3. Montaggio del modulo Wi-Fi

Istruzioni per il montaggio dell'inverter

1. Rimuovere la copertura antipolvere Wi-Fi dal lato sinistro dell'inverter



2. Serrare il modulo Wi-Fi sull'inverter con la vite M4\*10 (X2)



Nota: è possibile installare il dongle Wi-Fi per ultimo per ottimizzare l'accesso al collegamento dei cavi elettrici.

## 6.0 Collegamento elettrico



I danni al sistema di accumulo di energia causati da collegamenti errati dei cavi non sono coperti da alcuna garanzia. Solo degli elettricisti certificati possono collegare i cavi. Il personale operativo deve indossare i DPI adeguati quando collega i cavi.



Prima di collegare i cavi, assicurarsi che tutti gli interruttori del sistema di accumulo di energia siano impostati su OFF. In caso contrario, la tensione pericolosa del sistema potrebbe causare scosse elettriche.



I colori dei cavi indicati negli schemi dei collegamenti elettrici forniti in questo capitolo sono solo per riferimento. Selezionare i cavi in base alle specifiche locali (i cavi verdi e gialli sono utilizzati solo per il PE).

### 6.1. Requisiti dei cavi per il collegamento

N.	Cavo	Tipo	Area della sezione del conduttore	Diam. esterno	Fonte
1	Cavi di alimentazione della batteria con inverter	Cavo FV standard del settore	16 mm <sup>2</sup>	N/D	Fornito con l'inverter
2	Cavo di comunicazione della batteria con l'inverter	Cavo di rete standard del settore	0,12-0,20 mm <sup>2</sup>	N/D	Fornito con l'inverter
3 <sub>1</sub>	Cavo di segnale	Cavo di rete standard del settore	0,12-0,20 mm <sup>2</sup>	N/D	Fornito con l'inverter
4	Potenza FV cavo	Cavo FV standard del settore (tipo consigliato: PV1-F)	4-6 mm <sup>2</sup>	5,5-9 mm	Acquistato dall'installatore
5 <sub>2</sub>	Cavo di segnale	Cavo di rete standard del settore (tipo consigliato: Cavo C-Bus)	0,12-0,20 mm <sup>2</sup>	4-6 mm	Acquistato dall'installatore
6 <sub>3</sub>	Cavo di segnale	Cavo multiplo schermato a coppie intrecciate per esterni	0,1-1,3 mm <sup>2</sup>	4-6 mm	Acquistato dall'installatore
7	Cavo di alimentazione CA per il backup	Cavo in rame esterno a tre fili (L, N e PE)	4-6 mm <sup>2</sup>	10-14 mm	Acquistato dall'installatore
8	Cavo di alimentazione CA per la rete	Cavo in rame esterno a tre fili (L, N e PE)	6-10 mm <sup>2</sup>	9-18 mm	Acquistato dall'installatore
9	Cavo PE	Cavo in rame esterno a filo singolo	4-10 mm <sup>2</sup>	N/D	Acquistato dall'installatore

10	Cavi di alimentazione della batteria di espansione	Cavo FV standard del settore	16 mm <sup>2</sup>	N/D	Consegnato con la batteria
11	Cavo di comunicazione della batteria di espansione	Cavo di rete standard del settore (tipo consigliato: C-Bus)	0,12 - 0,20 mm <sup>2</sup>	N/D	Consegnato con la batteria

<sup>1</sup> Per il collegamento di comunicazione TA con l'inverter.

<sup>2</sup> Per il collegamento di comunicazione CAN/RS485, LAN, Meter, DRM con l'inverter.

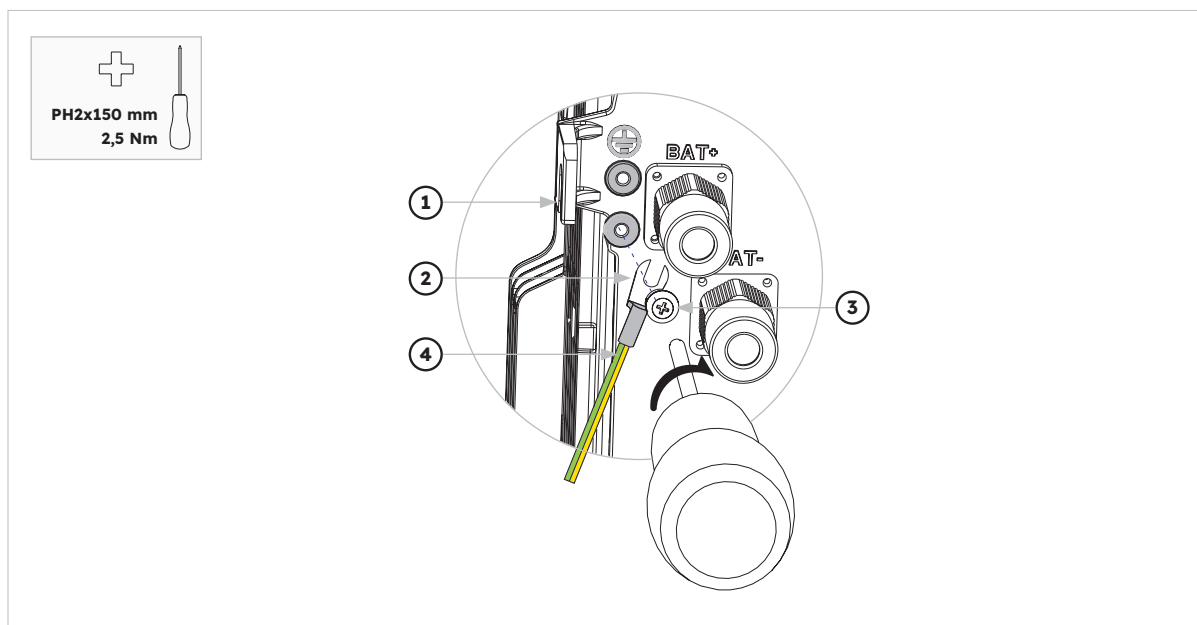
<sup>3</sup> Per il collegamento di comunicazione AUX con l'inverter.

## 6.2 Collegamento di una messa a terra aggiuntiva



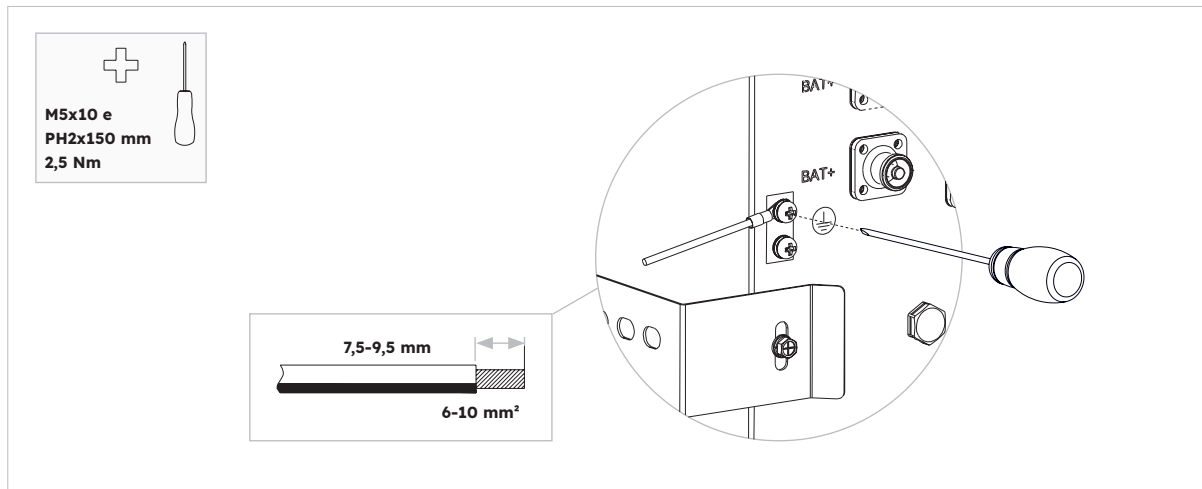
**Pericolo di scossa elettrica:** Prima di effettuare il collegamento elettrico, assicurarsi che l'interruttore FV e tutti gli interruttori CA e BAT del sistema di accumulo di energia siano spenti e non possano essere riattivati.

Nella parte superiore sinistra dell'inverter è presente un punto di messa a terra esterno. Preparare i morsetti M5 OT, rimuovere l'isolante del cavo di messa a terra, inserire la parte spellata del cavo di messa a terra nel capocorda ad anello e crimparlo con un utensile per capicorda. Collegamento a terra aggiuntivo per l'inverter:



Posizione	Designazione
1	Alloggiamento
2	Capocorda M5 con conduttore protettivo
3	Vite a testa M5x12 PH2
4	Cavo PE

Collegamento a terra per la batteria:



## 6.3. Collegamento CA

### 6.3.1. Requisiti per il collegamento CA



**Unità di monitoraggio della corrente residua:** L'inverter non necessita di un interruttore differenziale esterno quando è in funzione. Se le normative locali richiedono l'uso di un interruttore differenziale o di un sistema di accumulo ad accoppiamento ibrido con una grande capacità di accoppiamento dalla stringa fotovoltaica e dall'inverter fotovoltaico, è necessario osservare quanto segue: L'inverter è compatibile con gli interruttori differenziali di tipo A con corrente differenziale nominale di 100 mA o superiore. Ogni inverter del sistema deve essere collegato alla rete elettrica tramite un interruttore differenziale separato.



**Dispositivi di protezione:** È necessario proteggere ogni inverter con un interruttore di rete/di backup individuale per garantire che l'inverter possa essere scollegato in modo sicuro.

I requisiti del cavo CA sono i seguenti:

- Tipo di conduttore: filo di rame
- Diametro esterno: da 9 mm a 18 mm per il connettore di rete, da 10 mm a 14 mm per il connettore di backup
- Consigli sull'area della sezione del conduttore: 10 mm<sup>2</sup> per il collegamento alla rete, 6 mm<sup>2</sup> per il collegamento di backup
- Lunghezza di rimozione dell'isolante: 10 mm
- Lunghezza di rimozione della guaina: 50 mm

### 6.3.2. Scelta dell'interruttore CA adatto



La specifica massima consentita per gli interruttori di rete è **50 A** quando la sezione del conduttore in rame per il collegamento alla rete è di **10 mm<sup>2</sup>**. **In base alla portata di corrente del cavo, è necessario considerare altri fattori che influiscono sul dimensionamento del cavo.** Utilizzare l'APP (SunPower One app) o la piattaforma di installazione (SunPower One installer dashboard) per selezionare l'impostazione corretta se le specifiche dell'interruttore di rete sono 32 A o 40 A, altrimenti aumenta il pericolo di attivazione dell'interruttore in condizioni di esercizio normali.



La specifica massima consentita per gli interruttori di rete è di **40 A** quando la sezione del conduttore in rame per il collegamento alla rete deve essere di **6 mm<sup>2</sup> (in alcuni paesi: 8 mm<sup>2</sup>)**. **In base alla portata di corrente del cavo, è necessario considerare seriamente altri fattori che influiscono sul dimensionamento del cavo.** Utilizzare l'APP (SunPower One app) o la piattaforma di installazione (SunPower One installer dashboard) per selezionare l'impostazione corretta se le specifiche dell'interruttore di rete sono 32 A o 40 A, altrimenti aumenta il pericolo di attivazione dell'interruttore in condizioni di esercizio normali.

I requisiti generali per la scelta degli interruttori sono determinati dagli standard e dalle disposizioni specifici di ogni paese. Di seguito sono elencati i fattori d'influenza generali da prendere in considerazione per la scelta dell'interruttore adatto:

- Fattori che influenzano la portata di corrente del cavo: tipo di cavo utilizzato, temperatura ambiente intorno al cavo, tipo di instradamento del cavo, accorpamento dei cavi.
- Altri fattori che influenzano il dimensionamento: impedenza del circuito, riscaldamento reciproco degli interruttori, temperatura ambiente in corrispondenza dell'interruttore, selettività, tipo di dispositivo collegato.

Se questi fattori vengono ignorati, aumenta il pericolo di attivazione dell'interruttore in condizioni di esercizio normali.

Descrizione	Corrente max Attuale	Dimensioni dell'interruttore automatico per RESERVE-INV-1-P5-L1-INT
Lato rete	43,5 A	32/40/50 A
Lato backup	21,7 A	32 A

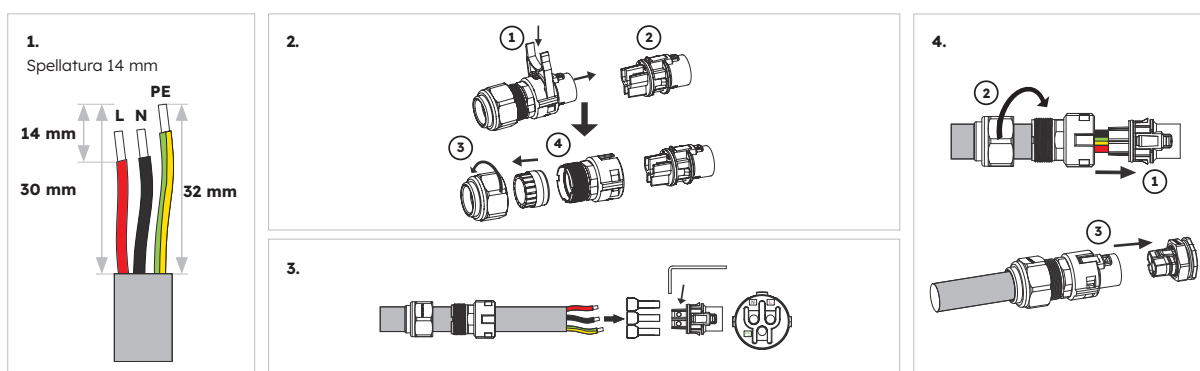
### 6.3.3. Collegamento alla rete e di backup

#### Istruzioni per il connettore di rete e di backup:

1. Scollegare gli interruttori e assicurarsi che non vengano ricollegati.
2. Smontare il cavo CA di 50 mm.
3. Accorciare L e N di 2 mm ciascuno, in modo che il conduttore di terra sia più lungo di 2 mm. In questo modo si garantisce che il conduttore di terra sia l'ultimo a essere estratto dal morsetto a vite in caso di trazione.
4. Rimuovere l'isolante di L, N e del conduttore di terra per 10 mm.

5. In caso di fili a trefoli sottili, L, N e PE devono essere dotati di puntalini.
6. Smontare il connettore CA e collegare i conduttori al connettore CA.
7. Assicurarsi che tutti i conduttori siano collegati saldamente al connettore CA, quindi montare il connettore CA.
8. Inserire il connettore di rete nella presa per il collegamento alla rete. A questo punto, allineare il connettore di rete in modo che la chiave della presa di rete dell'inverter sia inserita nella scanalatura della bussola del connettore di rete.
9. Per il collegamento di backup, collegare il connettore di backup alla presa di backup dell'inverter e serrare saldamente in senso orario.

### Per collegare il connettore di rete:



Verificare che il connettore sia stato installato correttamente.



## Per collegare il connettore di backup:

**1.**

Circa 24 mm  
Per "L" e "N"

8 mm

9-12 mm

Circa 26 mm per il PE

Cavo in rame esterno a tre fili (L, N e PE)  
Sezione del conduttore: 4-6 mm<sup>2</sup>

**2.**

Inserire i conduttori con capicorda, L, N e PE nei morsetti corrispondenti e serrare le viti (coppia 1,5±0,1 N-m)

Montare insieme il tappo di chiusura, il manicotto filettato e il dado girevole

**3.**

Inserire il connettore nella presa e serrare saldamente

Verificare che il connettore sia stato installato correttamente.

**SUGGERIMENTO**

Per le installazioni in Australia e Nuova Zelanda, il neutro viene commutato internamente tra le porte di rete e di backup dell'inverter. La porta di backup del neutro deve essere collegata alla barra del neutro in situ.

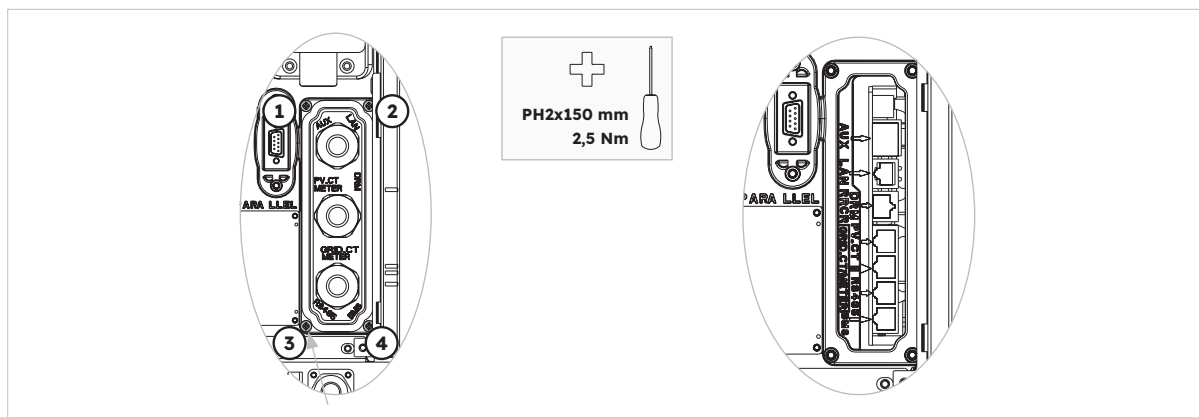
### 6.3.4. Valutazione TA

Articolo	Attuale	Scenari
TA	100 A	TA

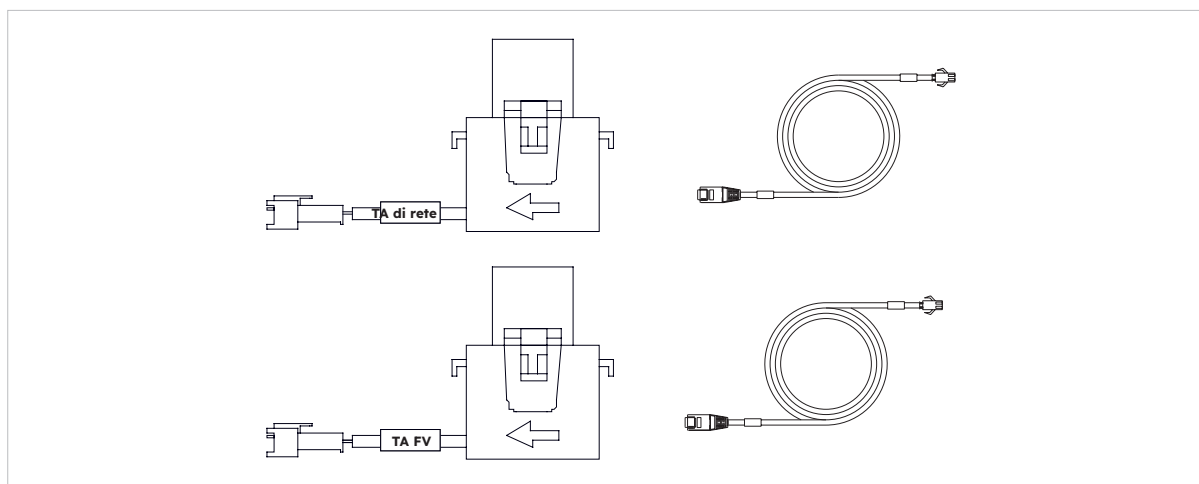
## 6.3.5. Collegamento TA

### Istruzioni per il collegamento del TA:

1. Allentare i dadi girevoli dei pressacavi sul coperchio di collegamento COM dell'inverter e svitare le 4 viti agli angoli, quindi sarà possibile vedere le porte di comunicazione del TA di rete, del TA FV e del contatore. Tenere le viti sul coperchio.



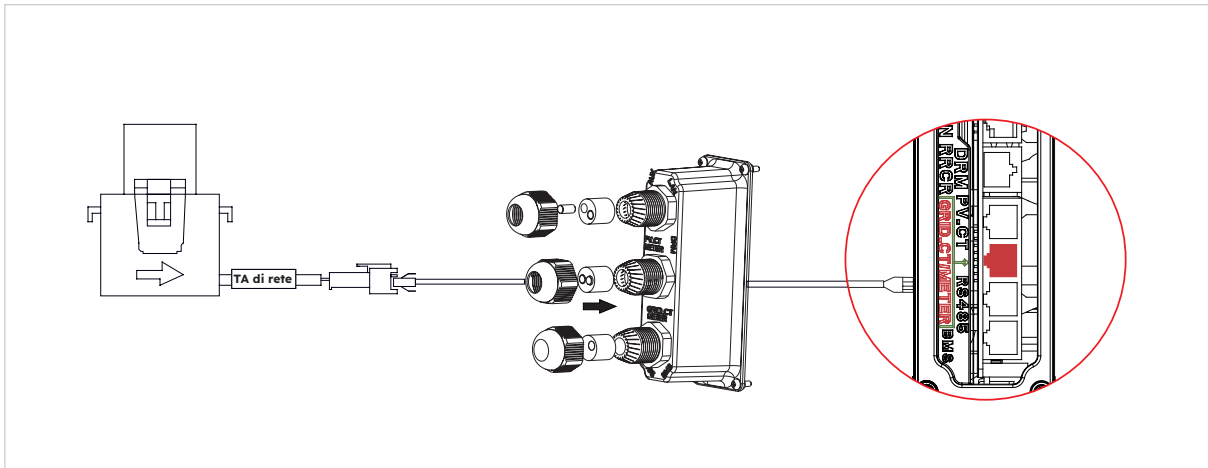
2. Individuare il TA di rete e il TA FV inclusi.



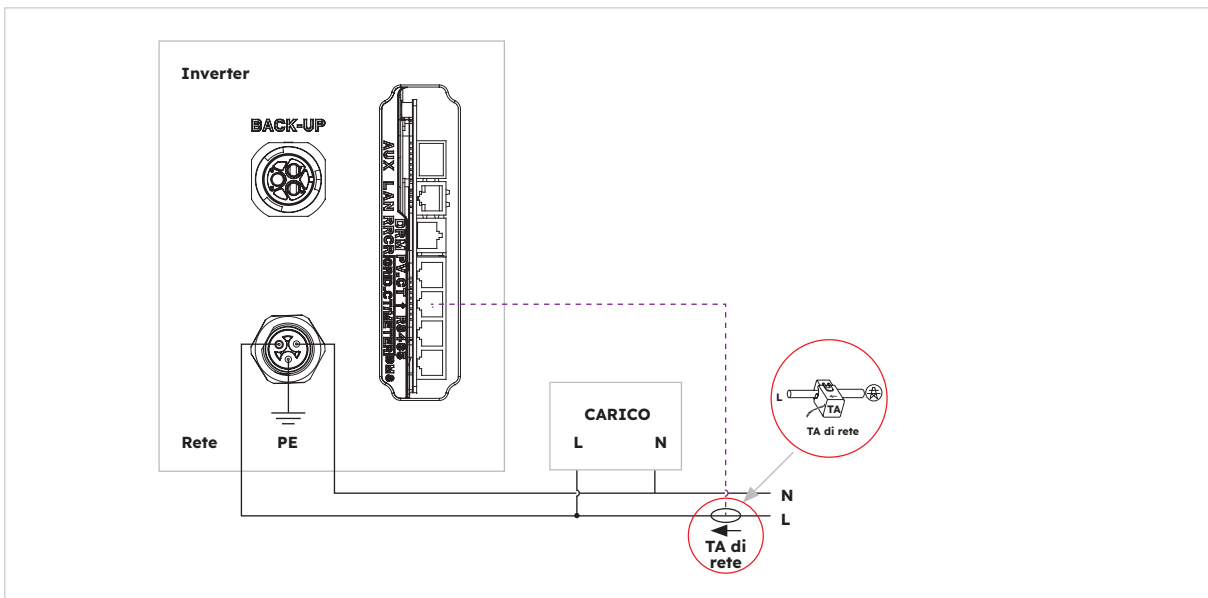
3. Far passare il cavo TA attraverso il pressacavo del coperchio del collegamento COM, senza serrare i dadi girevoli dei pressacavi.
4. Inserire i connettori RJ45 nelle relative prese RJ45.
5. Agganciare il TA di rete al cavo sotto tensione del servizio domestico. La freccia del TA di rete deve essere rivolta dal contatore di scambio ai carichi.
6. Per utilizzare il sistema di accumulo ad accoppiamento ibrido o in corrente alternata, agganciare il TA FV al cavo CA sotto tensione all'uscita dell'inverter FV installato. La freccia del TA FV deve essere rivolta verso la rete elettrica.
7. Collegare i cavi del TA rispettivamente al TA di rete e al TA FV.

### SUGGERIMENTO

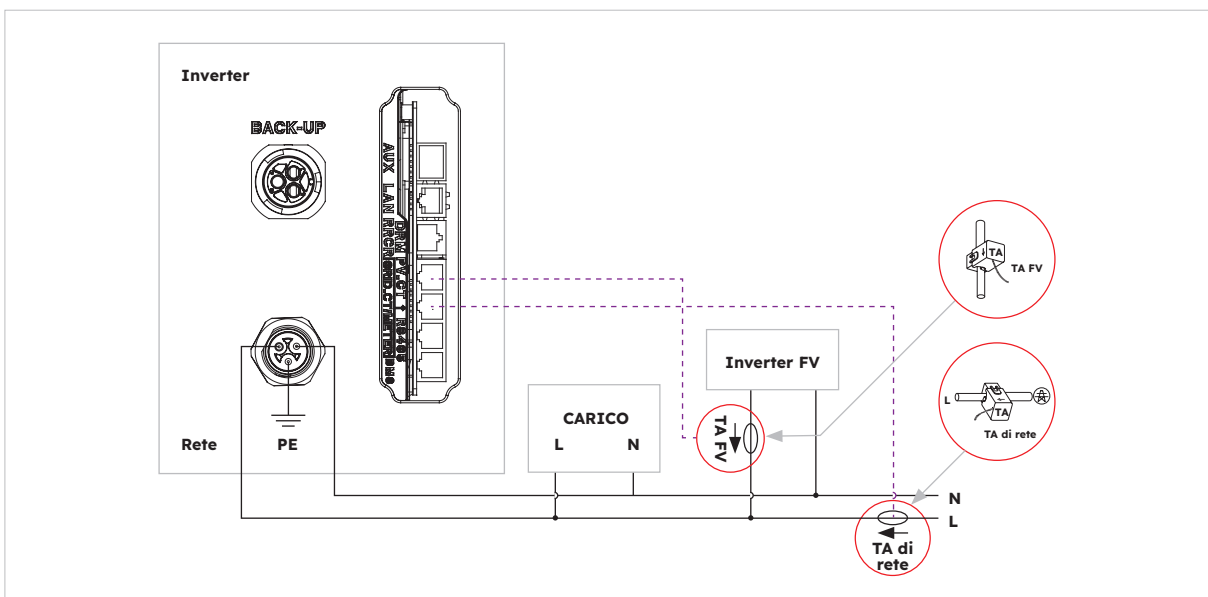
Il cavo TA contrassegnato come TA di rete deve essere collegato al TA di rete, mentre il cavo TA contrassegnato come TA FV deve essere collegato al TA FV.



Posizionamento del TA nel sistema di accumulo ad accoppiamento in corrente continua



Posizionamento del TA in un sistema di accumulo ad accoppiamento in corrente alternata o ibrido



## 6.3.6. Collegamento del misuratore di potenza

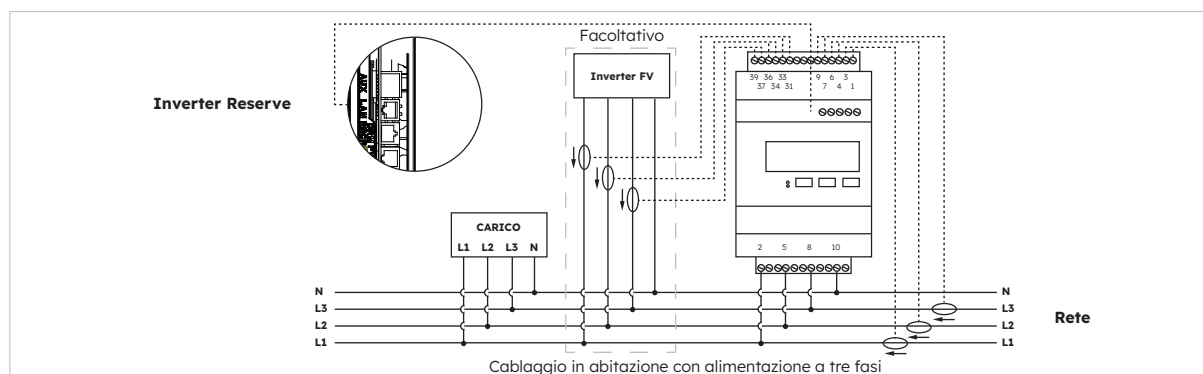
Il sistema supporta un misuratore di potenza SunPower Reserve esterno, che può essere installato su un'alimentazione di rete a 120 da 220-240 volt, a 4 fili, con 1, 2 o 3 fasi.

L'uso di un contatore Sunpower Reserve è necessario quando il punto di misurazione di rete si trova a oltre 20 m dal sistema Sunpower Reserve. Il misuratore di potenza Sunpower Reserve può essere installato a una distanza massima di 80 m dal sistema Sunpower Reserve e viene collegato mediante cavi RS485.

È alimentato con sei trasformatori di corrente (TA) da 100 A, tre dei quali servono per il monitoraggio della rete e tre per il monitoraggio dell'inverter fotovoltaico (FV). Il misuratore di potenza è dotato di un sistema di programmazione personalizzato che consente la comunicazione con il sistema Sunpower Reserve.

L'installazione di tutti e sei i TA è facoltativa. Ad esempio, un'installazione con un'alimentazione trifase e un inverter FV su una fase richiederà solo quattro TA, tre TA di rete per monitorare la rete e un TA FV per monitorare un inverter FV. Per ulteriori informazioni, fare riferimento agli schemi di cablaggio.

### Collegamento di un misuratore di potenza trifase con 6 TA e direzione dei TA

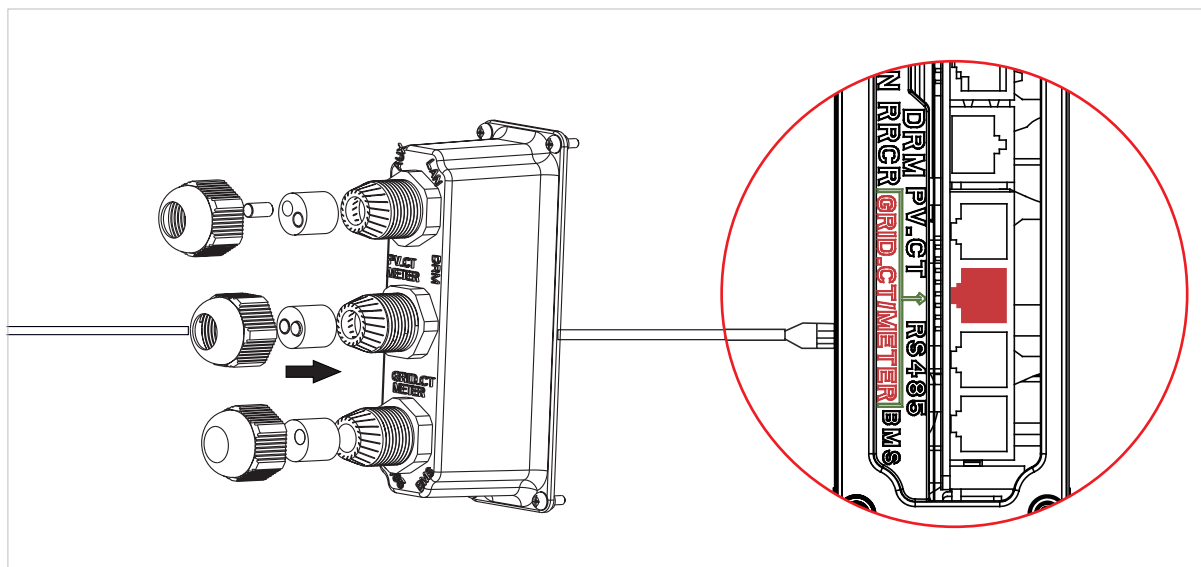


### Identificazione dei cavi TA

Il misuratore di potenza viene fornito con 6 TA contrassegnati da etichette. Per collegare i TA ai terminali corretti del misuratore di potenza, fare riferimento alla tabella riportata di seguito.

Fase	TA RETE			TA FV			Rete	
	Etichetta	Colore cavo	Terminale contatore	Etichetta	Colore cavo	Terminale contatore	Etichetta	Terminale contatore
L1	IA*	Bianco	1	IA*	Bianco	31	L1	2
	IA	Blu	3	IA	Blu	33	L2	5
L2	IB*	Bianco	4	IB*	Bianco	34	L3	8
	IB	Blu	6	IB	Blu	36	N	10
L3	IC*	Bianco	7	IC*	Bianco	37		
	IC	Blu	9	IC	Blu	39		

## Collegamento all'inverter



## Impostazione del misuratore di potenza nell'app SunPower One per la messa in servizio

Durante la procedura di messa in servizio, è necessario selezionare "Meter" (misuratore di potenza) anziché "CT" (TA), che è il valore predefinito.

## Risoluzione dei problemi

I carichi non vengono misurati correttamente	Disattivare il fotovoltaico. Scollegare i TA di rete dalle fasi L2 ed L3. Utilizzare una pinza amperometrica per verificare che il valore misurato corrisponda ai dati in tempo reale sul portale Web. In caso contrario, verificare che i terminali di alimentazione della tensione del contatore (2, 5, 8, 10) siano cablati correttamente; la fase L1 deve essere collegata al pin 2 del misuratore di potenza con la fase neutra collegata al pin 10. Verificare che il TA non sia stato invertito. Ripetere la procedura per ogni fase.
I TA sono rimasti inutilizzati dopo l'installazione	I TA sono necessari solo quando è richiesta una misurazione. Ad esempio, se un inverter FV monofase viene installato solo sulla fase L2, è necessario il TA FV L2, mentre i TA FV L1 e L3 non saranno richiesti.
Valori delle misurazioni bassi nelle fasi L2 ed L3	Assicurarsi che tutte le tensioni di fase dell'alimentazione siano collegate al misuratore di potenza; ad esempio, in un sito trifase i terminali 5 e 8 del misuratore di potenza devono essere collegati alle fasi L2 e L3.

## 6.4 Collegamento FV

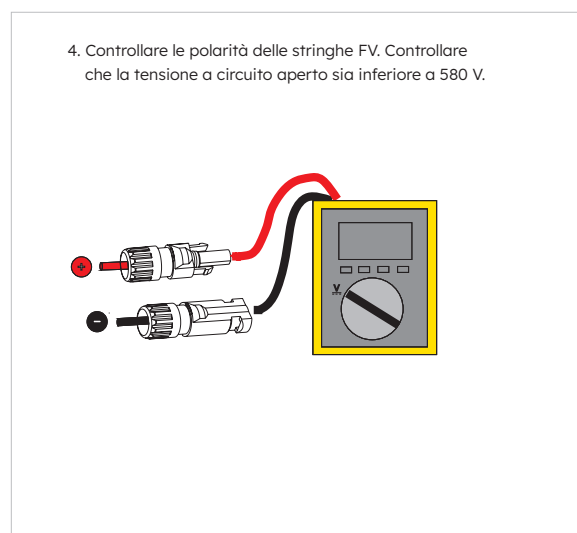
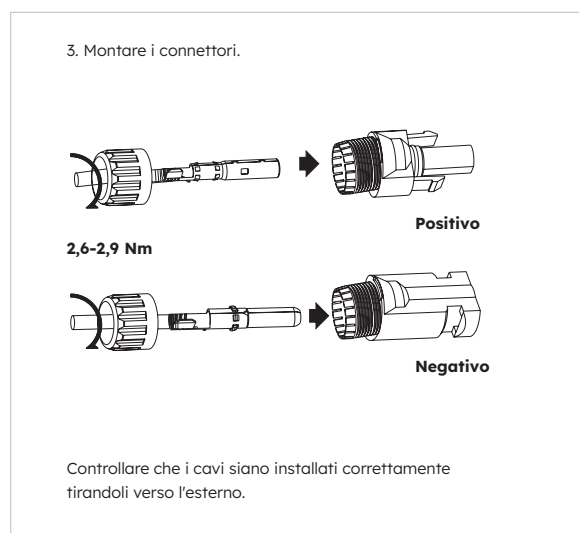
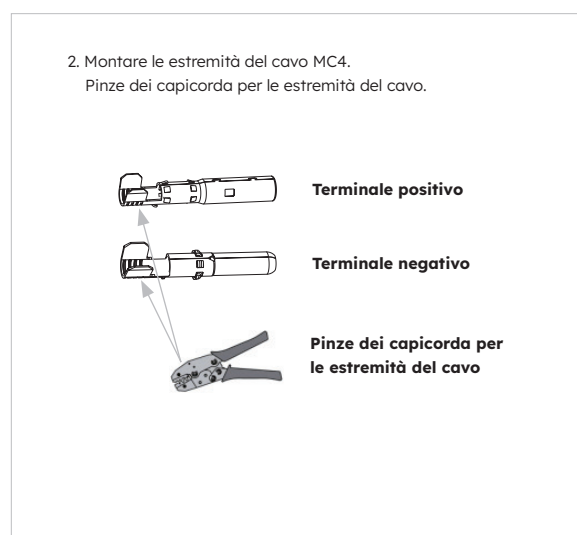
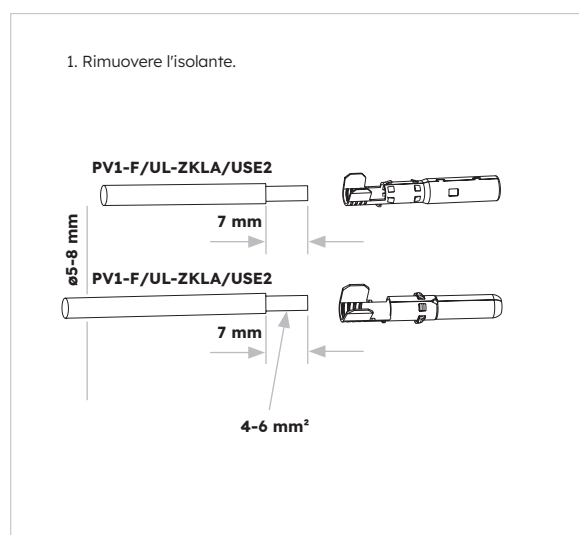
Prima di collegare le stringhe FV all'inverter, accertarsi di quanto segue:

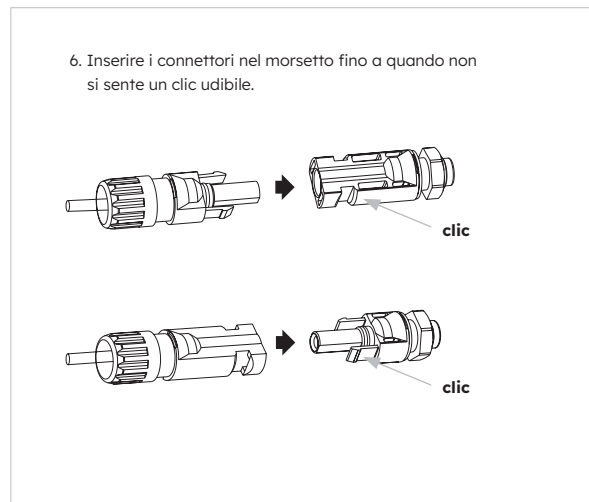
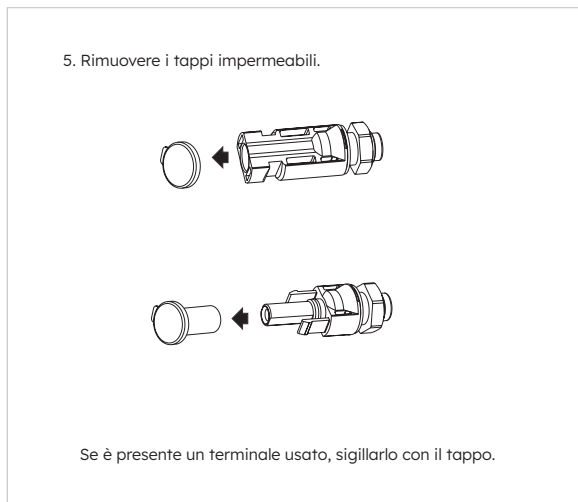
- Assicurarsi che la tensione aperta delle stringhe FV non superi il valore massimo. Tensione CC in ingresso (580 V CC). La violazione di questa condizione renderà nulla la garanzia.
- Assicurarsi che la polarità dei connettori FV sia corretta.
- Assicurarsi che l'interruttore FV, gli interruttori della batteria, del BACKUP CA e della rete CA siano tutti OFF
- Assicurarsi che la resistenza del fotovoltaico verso terra sia superiore a 200 kΩ.

L'inverter è dotato di connettori FV MC4.

Seguire l'immagine sottostante per montare i connettori FV.

Requisiti della sezione del conduttore FV: 4-6 mm<sup>2</sup>





## 6.5 Collegamento elettrico tra l'inverter e i pacchi batteria

### 6.5.1. Collegamento elettrico tra l'inverter e la prima batteria

#### Istruzioni per il collegamento elettrico:

1. Estrarre il cavo di messa a terra dalla confezione dell'inverter.
2. Collegare il cavo di messa a terra all'inverter e ai pacchi batteria.

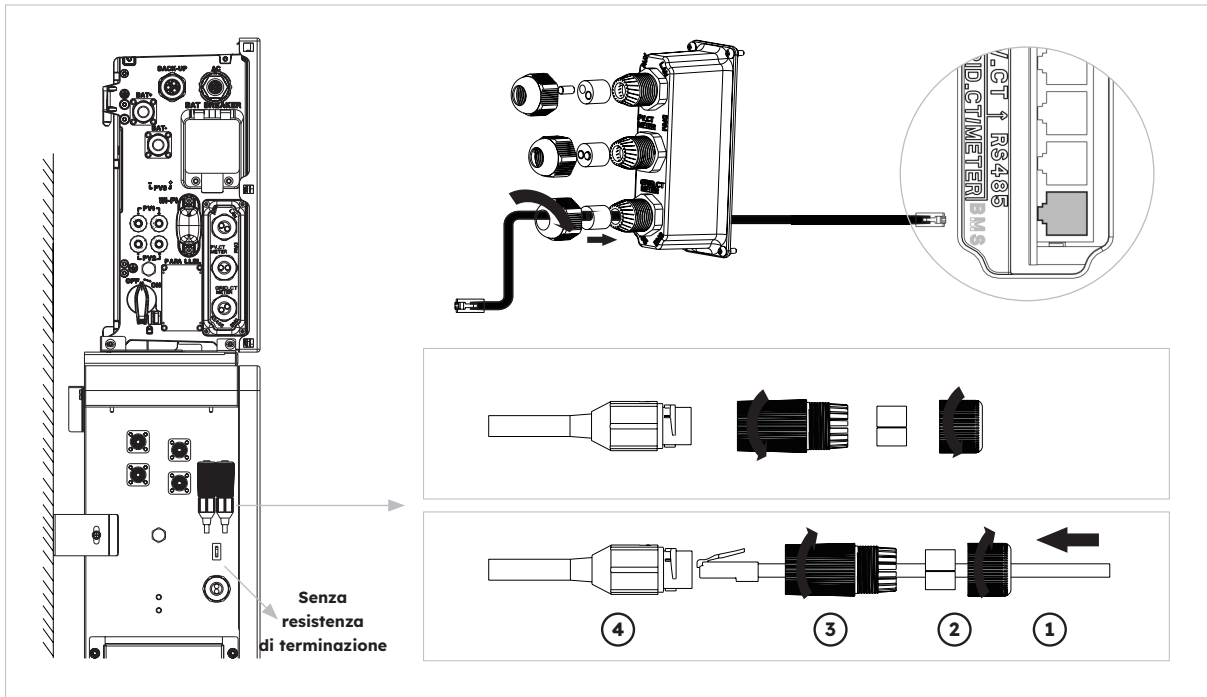


### 6.5.2. Collegamento dei cavi di comunicazione

#### Istruzioni per il collegamento di comunicazione:

1. Estrarre il cavo di comunicazione della batteria dalla confezione dell'inverter
2. Far passare il cavo di comunicazione della batteria attraverso il pressacavo del coperchio di collegamento COM dell'inverter, non serrare i dadi girevoli dei pressacavi, inserire il connettore RJ45 nella porta di comunicazione BMS dell'inverter. Inserire l'altro connettore RJ45 nelle relative prese RJ45 presenti sulla batteria.

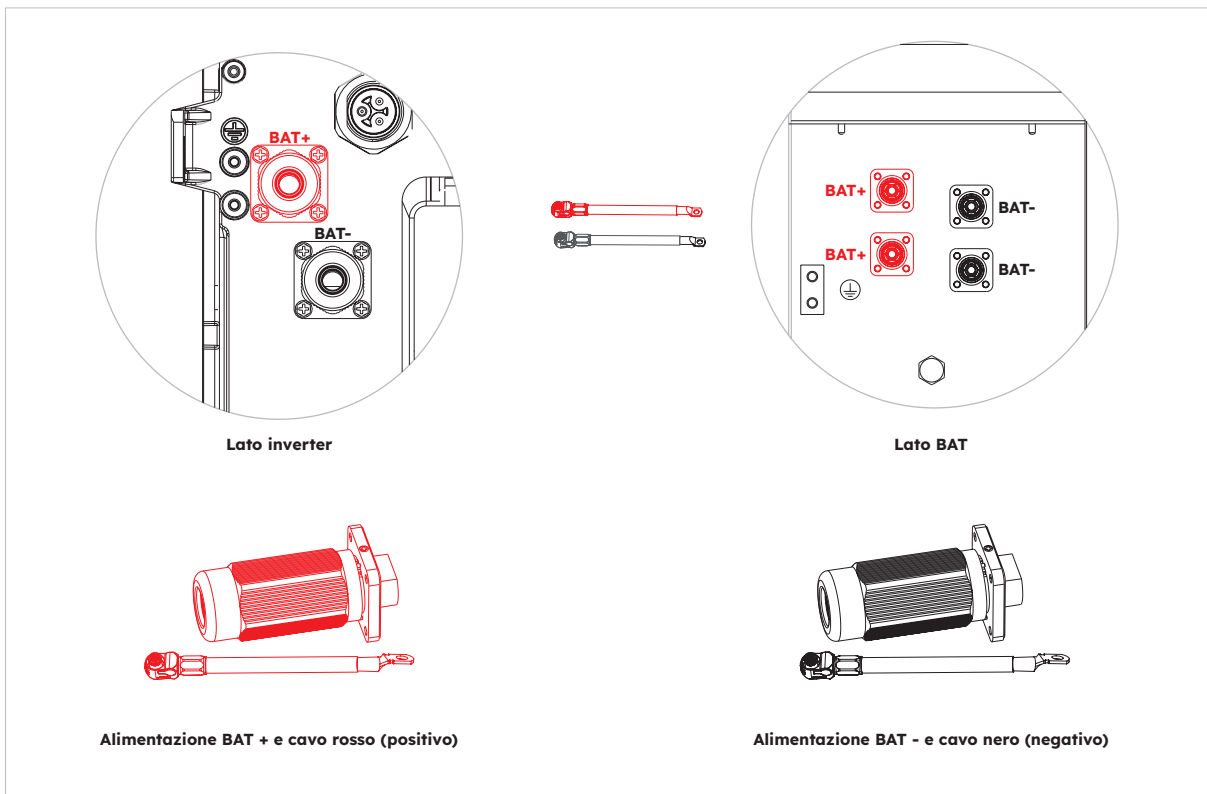
Nota: L'anello magnetico sul cavo di comunicazione della batteria deve essere vicino al lato dell'inverter.



### 6.5.3. Collegamento del cavo di alimentazione

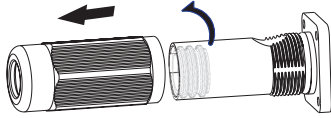
#### Istruzioni per il collegamento del cavo di alimentazione:

1. Estrarre i cavi di alimentazione della batteria dalla confezione dell'inverter.
2. Rimuovere i cappucci protettivi dai connettori di alimentazione della batteria.
3. Collegare i cavi di alimentazione della batteria all'inverter e ai pacchi batteria. Prestare attenzione alla polarità del connettore: il rosso è il positivo della batteria.

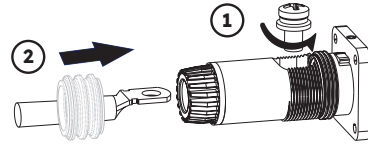




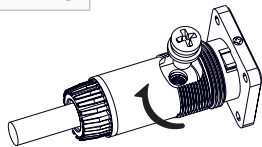
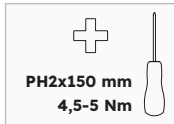
1.



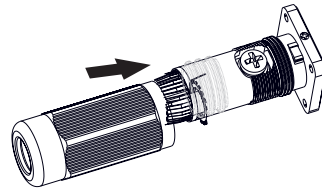
2.



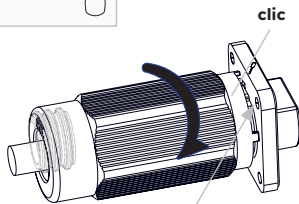
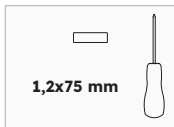
3.



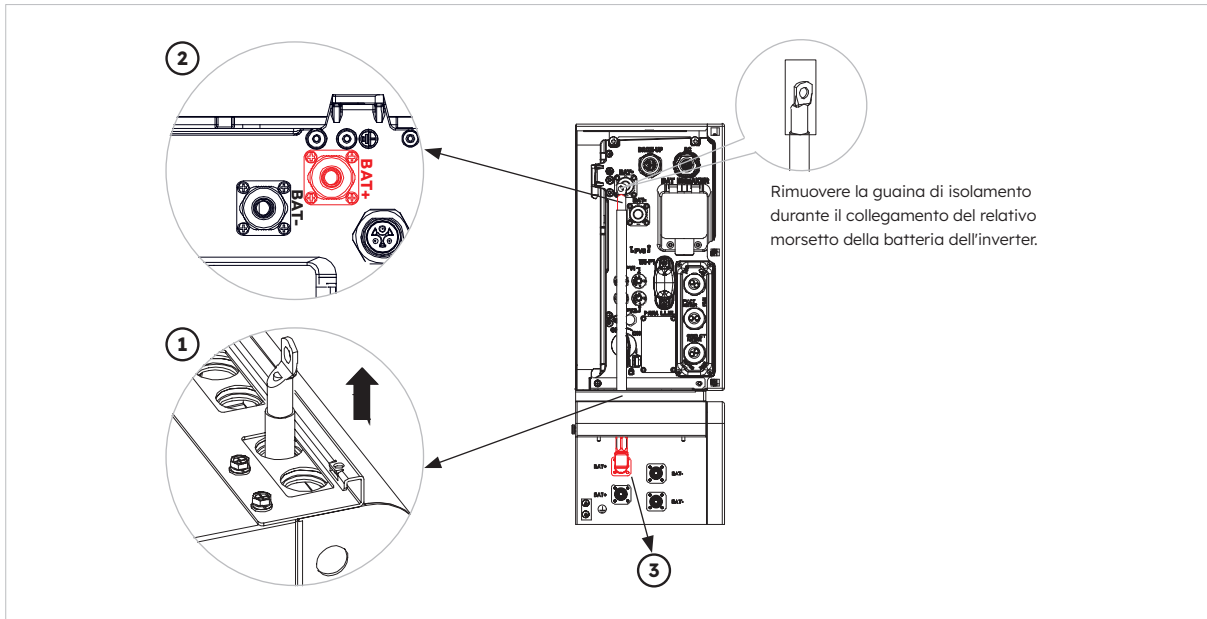
4.



5.



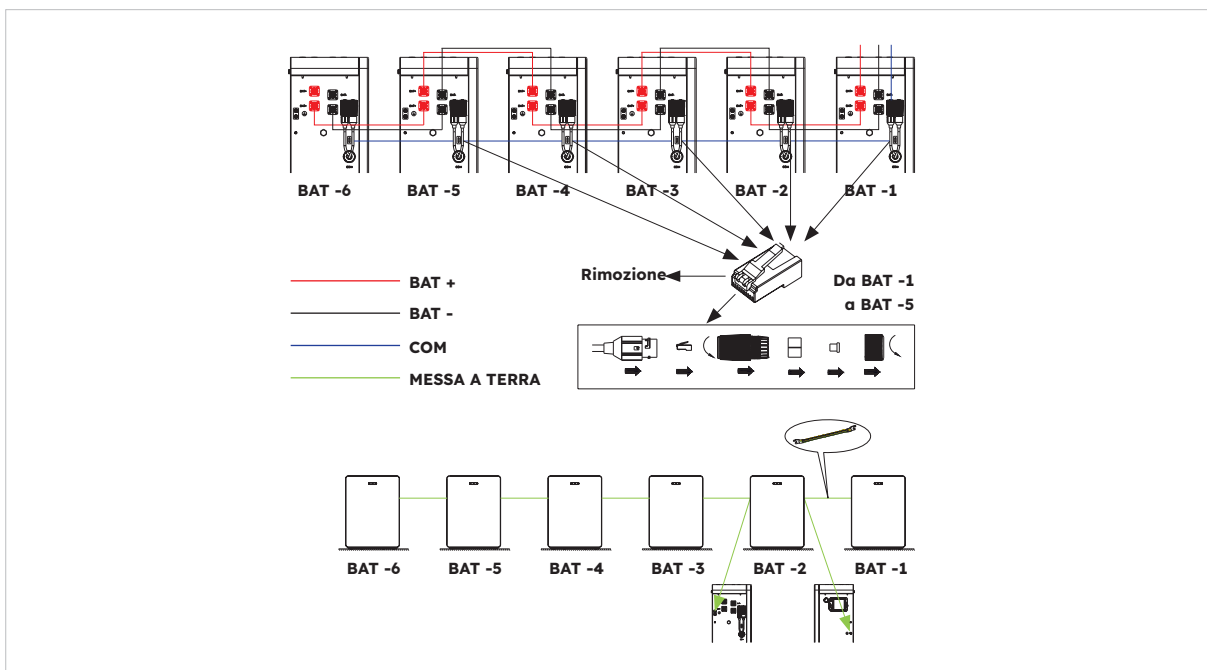
Premere la chiusura con un cacciavite a testa piatta quando si svita il dado girevole



## 6.5.4. Collegamento elettrico delle batterie di espansione

Collegamento elettrico per massimo 6 unità di batterie di espansione come segue:

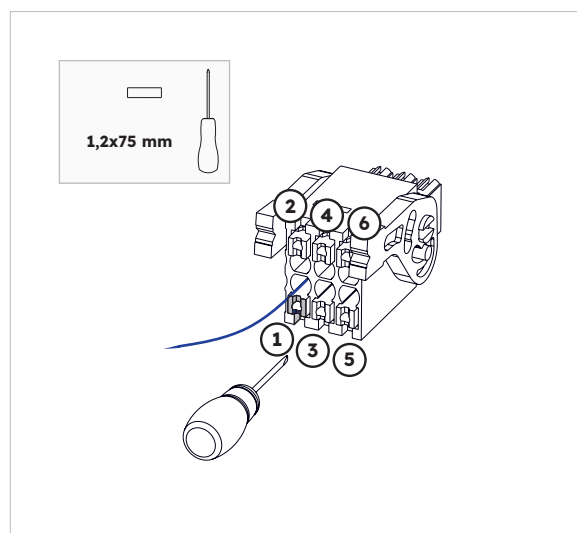
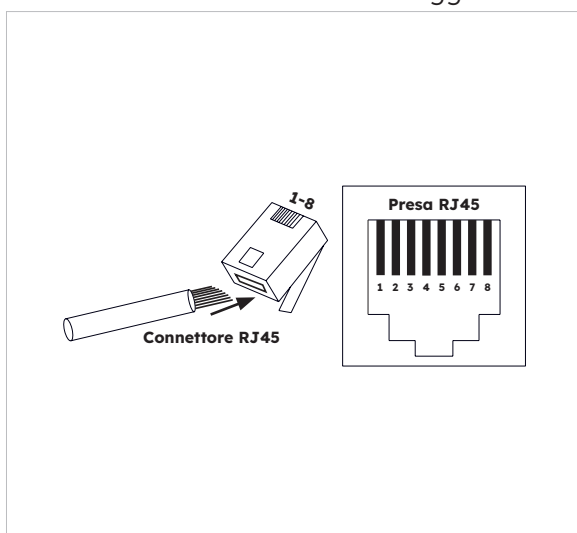
1. Estrarre i cavi di alimentazione della batteria di espansione e il cavo di comunicazione dalla confezione della batteria.
2. Rimuovere i cappucci protettivi dai connettori di alimentazione della batteria. Collegare i cavi di alimentazione delle batterie alle due batterie.
3. Prestare attenzione alla polarità del connettore: il rosso è il positivo della batteria.
4. Inserire i connettori RJ45 nelle relative prese RJ45 presenti sulle batterie.
5. Conservare solo la resistenza di terminazione dell'ultima batteria, rimuovere l'altra resistenza di terminazione dal morsetto.
6. Eseguire il collegamento a terra tra due batterie facendo riferimento alla sezione 6.2 corrispondente.



## 6.5.5. Altri collegamenti dei sistemi di comunicazione dell'inverter

Per gli altri collegamenti dei sistemi di comunicazione (AUX, LAN, DRM, RS485), seguire la seguente procedura:

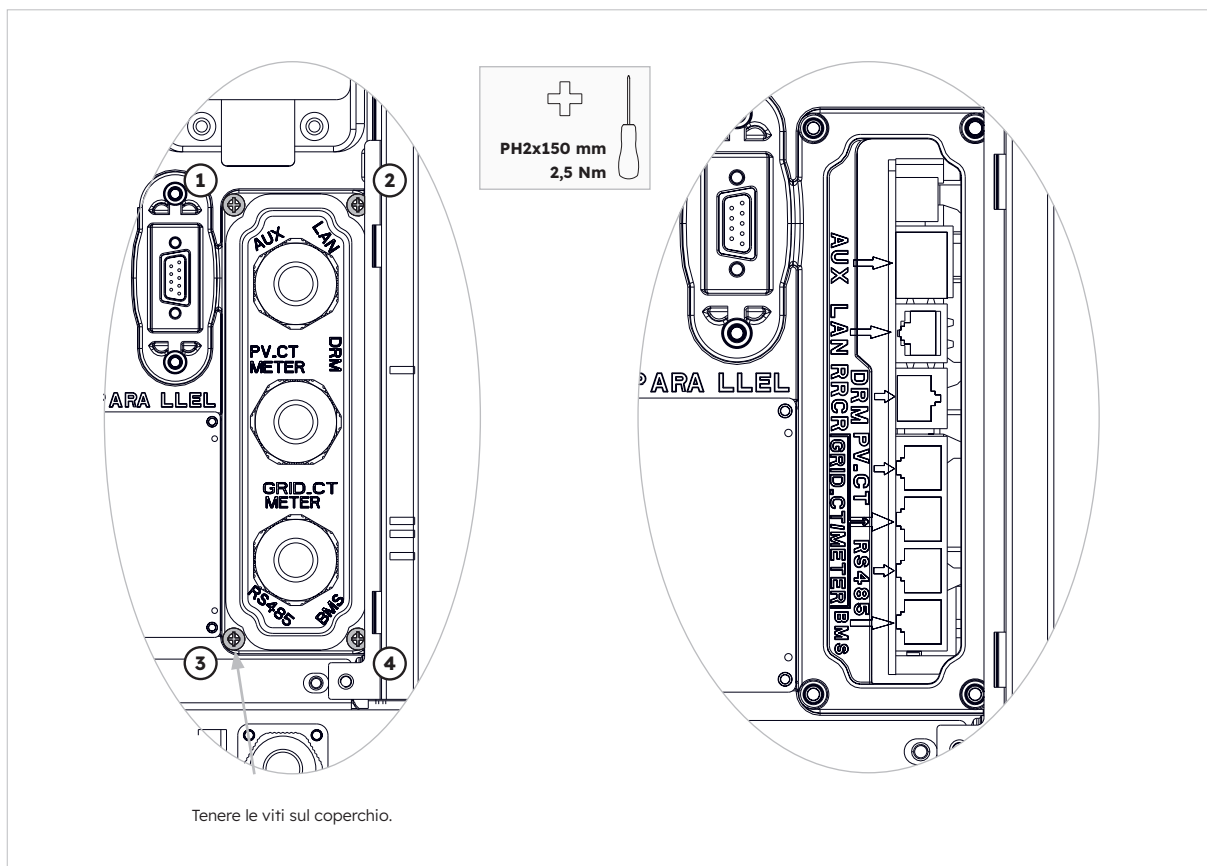
1. Allentare i pressacavi sul coperchio di collegamento COM, quindi svitare le 4 viti sul coperchio di collegamento COM.
2. Far passare i cavi di comunicazione attraverso i pressacavi del coperchio di collegamento COM, non serrare i dadi girevoli dei pressacavi. Inserire i connettori RJ45 nelle relative prese RJ45.
  - a. Se viene specificato il supporto DRM, il sistema può essere utilizzato solo in combinazione con un dispositivo di abilitazione alla risposta alla domanda (DRED). Questo garantisce che il sistema attui sempre i comandi dell'operatore di rete per la limitazione della potenza attiva. Il sistema e il dispositivo di abilitazione alla risposta alla domanda (DRED) devono essere collegati alla stessa rete. Per questo prodotto è disponibile solo il DRM0.
  - b. Estrarre la morsettiera a 6 pin per il collegamento AUX. Per effettuare il collegamento del cablaggio, inserire un cacciavite (larghezza della lama: 1,2 mm) nella relativa posizione di collegamento laterale. Per la definizione della posizione AUX, consultare la documentazione sul cablaggio AUX.



3. Posizionare il coperchio della connessione COM contro l'involucro dell'inverter e serrare le 4 viti, infine fissare il dado girevole dei pressacavi.

La definizione dei pin delle porte di comunicazione:

Porta	Numeri pin							
AUX	1	2	3	4	5	6	7	8
	DO1_NO	DO1_COM	DO1_NC	DI_negativo	DI_positivo	GND		
DRM RRCR	1	2	3	4	5	6	7	8
	DRED 1/5	DRED 2/6	DRED 3/7	DRED 4/8	REF GEN/0	COM LOAD/0	/	/
TA_FV	1	2	3	4	5	6	7	8
	/	/	RS485_A7	/	/	RS485_B7		/
GRID_ CT METER	1	2	3	4	5	6	7	8
	/	/	RS485_A7	/	/	RS485_B7		/
RS485	1	2	3	4	5	6	7	8
	/	/	/	RS485_B5	RS485_A5	/	/	/
BMS	1	2	3	4	5	6	7	8
	/	RS485_A4	/	CAN1_H	CAN1_L	/	RS485_ B4	/

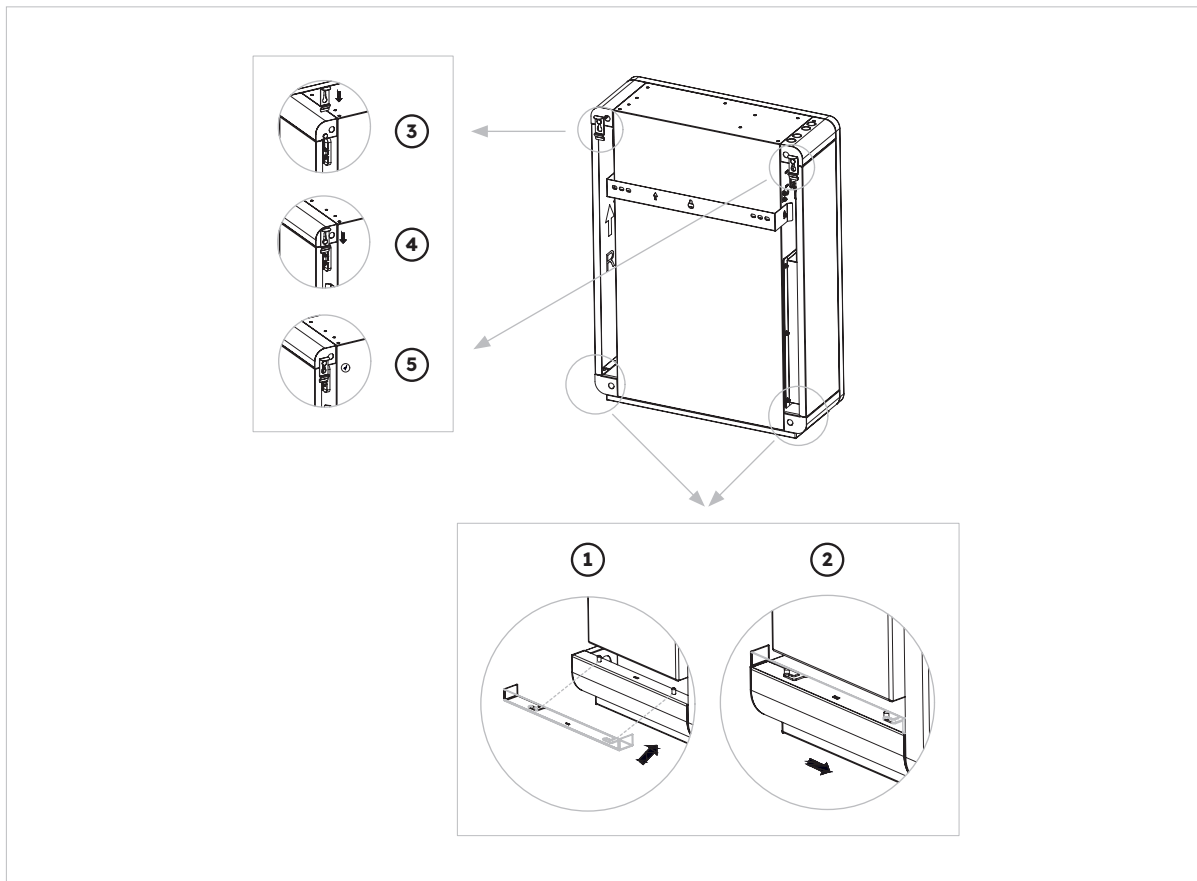


## 6.6. Montaggio della batteria e dell'inverter

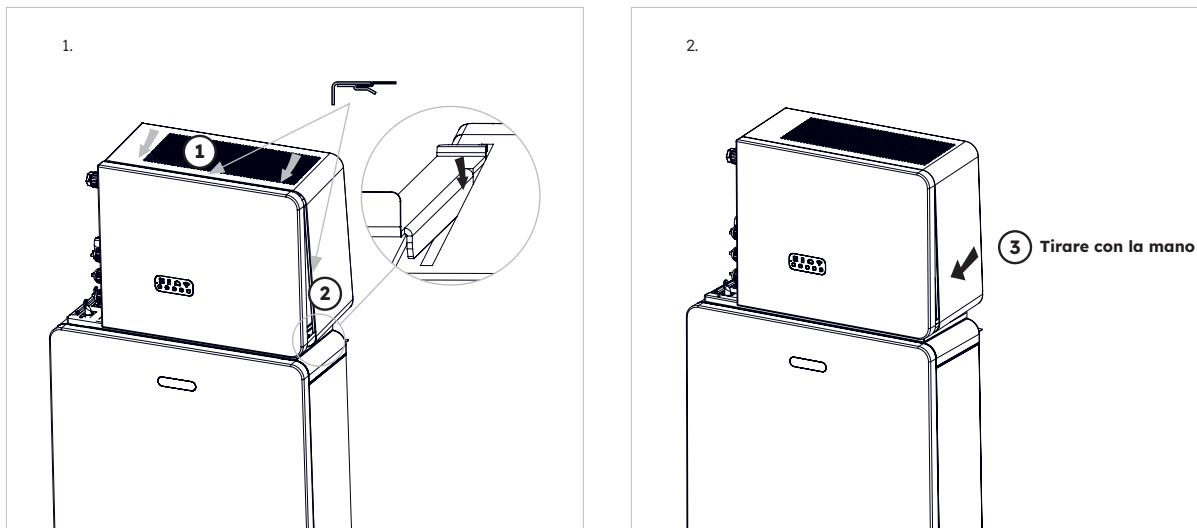
Dopo aver completato il collegamento elettrico del sistema di accumulo di energia, svolgere le seguenti operazioni.

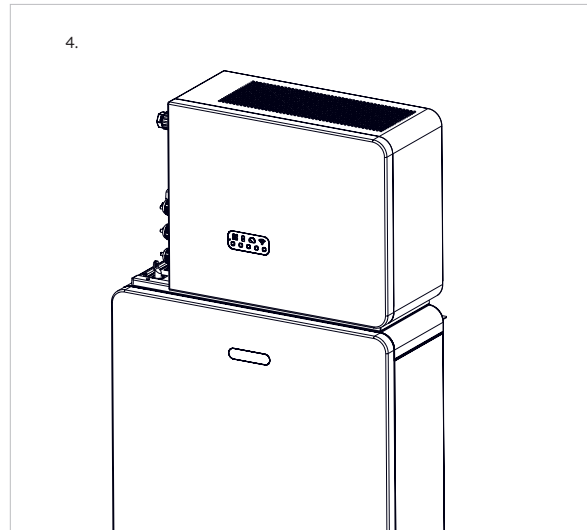
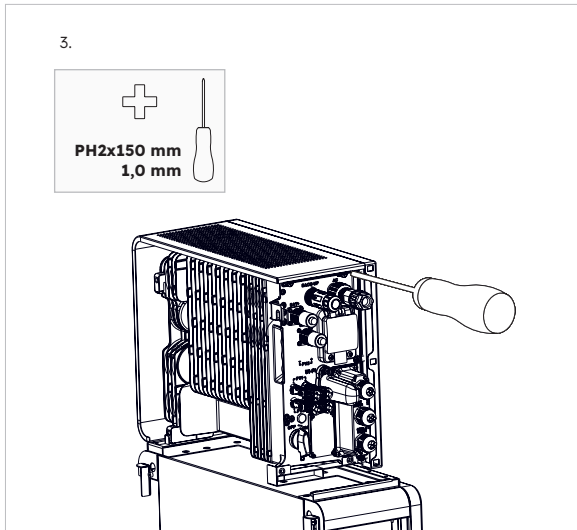
### Istruzioni:

#### 1. Montaggio delle piastre laterali della batteria



#### 2. Installazione del coperchio superiore dell'inverter

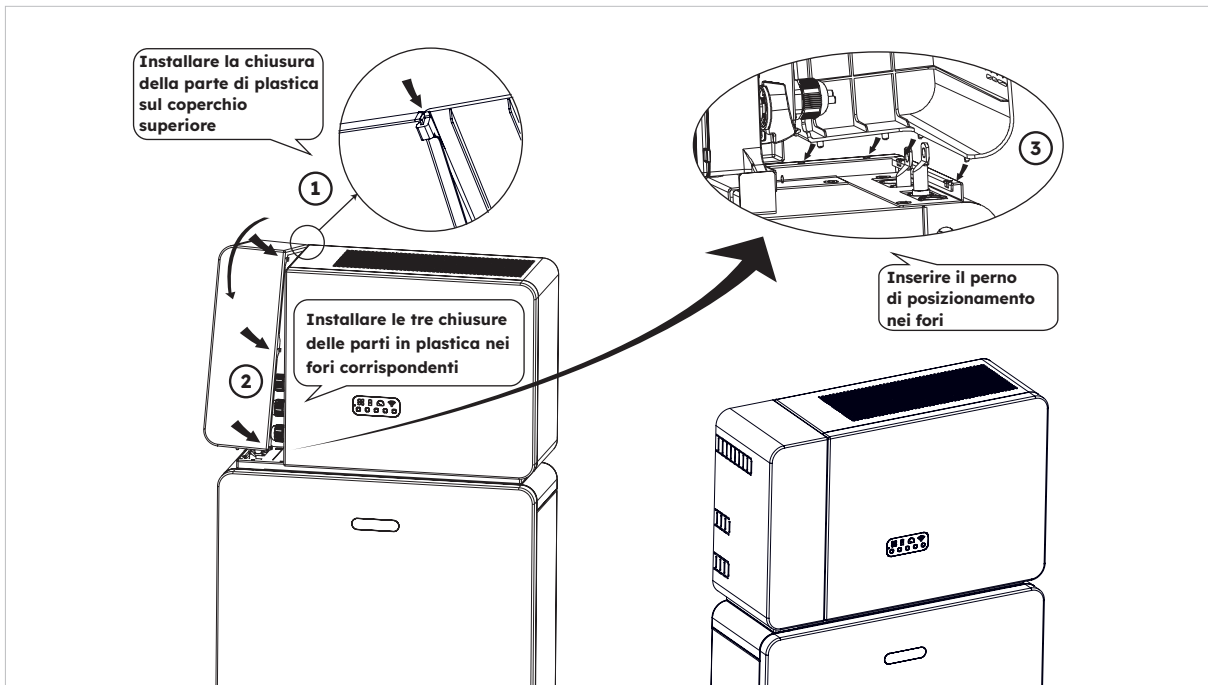




 **SUGGERIMENTO**

Il numero di serie e il codice di controllo dell'inverter si trovano sul lato destro dell'inverter. Assicurarsi di averli annotati prima di installare la copertura.

3. Installazione del coperchio del cavo sinistro dell'inverter

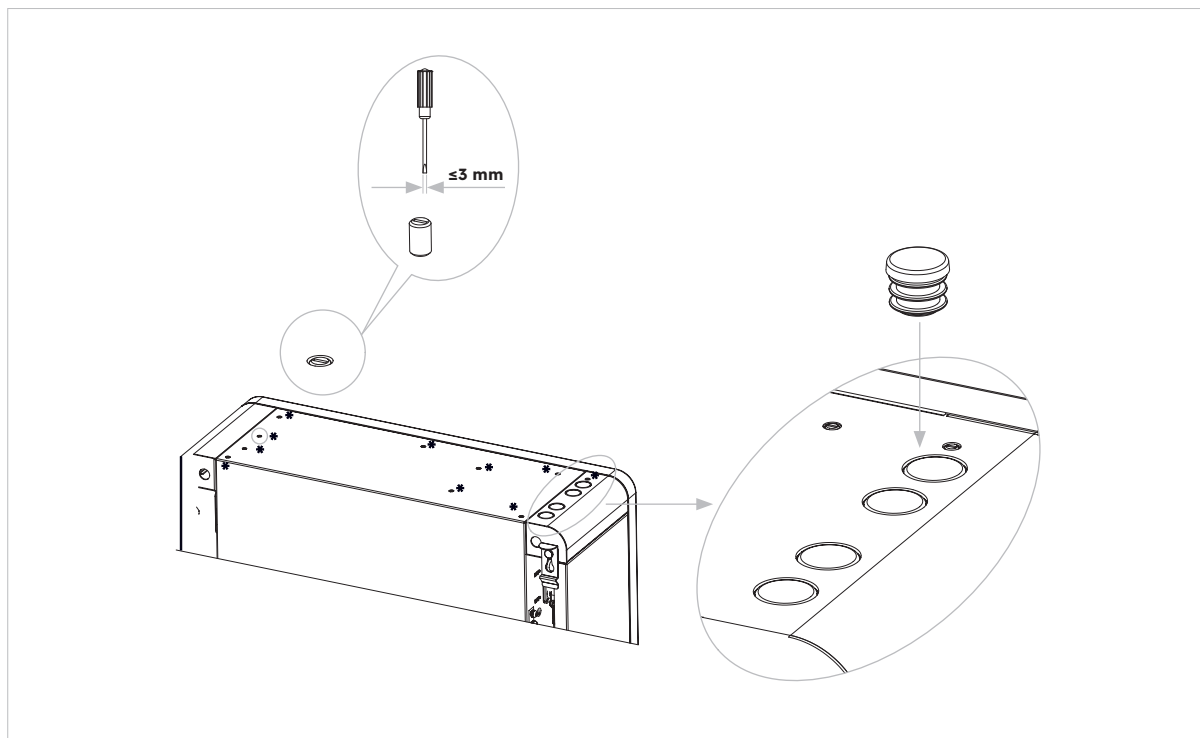


 **SUGGERIMENTO**

Assicurarsi che tutto il cablaggio sia sicuro e che il sistema funzioni correttamente, quindi installare il coperchio superiore sul lato sinistro dell'inverter.

## 6.7. Montaggio dei tappi a vite

Se è installata più di una batteria, è possibile eseguire le seguenti operazioni per migliorare l'aspetto della parte superiore della batteria.



## 7.0 Procedura di avvio e spegnimento

### 7.1. Procedura di avvio

1. Accendere l'INTERRUTTORE DELLA BATTERIA sul lato destro della stessa. Ripetere per altre batterie rispettando l'ordine delle operazioni.
2. Accendere il SEZIONATORE DEL SISTEMA DI BATTERIE situato sul lato sinistro dell'inverter, sotto il coperchio superiore dell'involucro.
3. Premere per 1 secondo il PULSANTE DI AVVIO DELLA BATTERIA sulla BATTERIA 1. Si trova accanto agli interruttori della batteria. Ripetere per altre batterie rispettando l'ordine delle operazioni entro 5 secondi.
4. Accendere l'ALIMENTATORE DI RETE CA dell'inverter.
5. Accendere l'ALIMENTATORE DI BACKUP CA dall'inverter, se presente.
6. Accendere il SEZIONATORE FV sul lato sinistro dell'inverter se il FV è collegato direttamente all'inverter.

### 7.2. Procedura di spegnimento



Dopo che il sistema di accumulo di energia è stato spento, l'elettricità e il calore rimanenti possono ancora causare scosse elettriche e ustioni. Pertanto, indossare i guanti protettivi e attendere il prodotto per 5 minuti dopo lo spegnimento.

#### Procedura

1. Posizionare il commutatore su MAINS per alimentare i carichi dalla RETE, se presente.
2. Spegner l'ALIMENTATORE DI BACKUP CA dall'inverter, se presente.
3. Spegner l'ALIMENTATORE DI RETE CA dell'inverter.
4. Spegner il SEZIONATORE FV sul lato sinistro dell'inverter se l'FV è collegato direttamente all'inverter.
5. Spegner il SEZIONATORE DEL SISTEMA DI BATTERIE situato sul lato sinistro dell'inverter.
6. Spegner l'INTERRUTTORE DELLA BATTERIA per ogni batteria .
7. Tenere premuto il pulsante di avvio della batteria per 6 secondi per spegnere ogni batteria. Si trova vicino all'INTERRUTTORE DELLA BATTERIA.



### 7.3. Controlli prima dell'avvio

N.	Controllo dell'articolo	Criteri di accettazione
1	Ambiente di montaggio	Lo spazio di montaggio è adeguato e l'ambiente di montaggio è pulito e ordinato, senza oggetti estranei.
2	Montaggio del pacco batterie e dell'inverter	Il pacco batterie e l'inverter sono montati in modo corretto, sicuro e affidabile.
3	Montaggio del WiFi	Il modulo WiFi è montato in modo corretto, sicuro e affidabile.
4	Disposizione dei cavi	I cavi vengono instradati correttamente come richiesto dal cliente.
5	Fascetta	Le fascette sono fissate in modo uniforme e non ci sono sbavature.
6	Messa a terra	Il cavo di terra è collegato in modo corretto, sicuro e affidabile.
7	Stato dell'interruttore e dei sezionatori	L'interruttore FV (se presente), gli interruttori della batteria e tutti gli interruttori che collegano il prodotto sono spenti.
8	Collegamenti dei cavi	I cavi CA, i cavi FV (se presenti), i cavi di alimentazione della batteria e i cavi di comunicazione sono collegati in modo corretto, sicuro e affidabile.
9	Terminali di alimentazione non utilizzati	Le porte di alimentazione e di comunicazione non utilizzate sono bloccate da tappi a tenuta stagna.

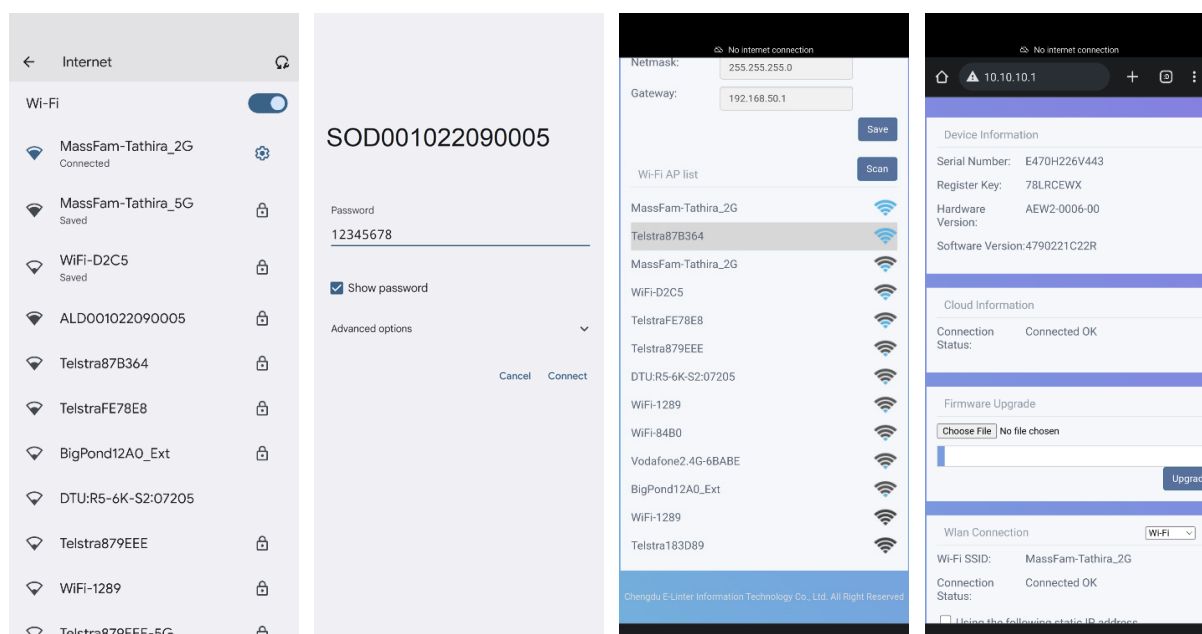
## 8.0 Configurazione di un nuovo sistema (messa in servizio)

### 8.1 Collegamento del sistema a Internet

Per avviare il processo di messa in servizio di SunPower Reserve dopo la sua installazione, è essenziale stabilire una connessione dati (internet) funzionale, necessaria anche per il monitoraggio continuo. SunPower Reserve offre due metodi di connessione dati: Ethernet e Wi-Fi.

Se si sceglie una connessione Ethernet, non è necessaria alcuna configurazione aggiuntiva. Tuttavia, se si preferisce una connessione Wi-Fi, attenersi alla procedura seguente per collegare il sistema alla rete Wi-Fi del proprietario:

1. Sul proprio dispositivo mobile, accedere alle impostazioni Wi-Fi e individuare la rete Wi-Fi associata all'unità SunPower Reserve. Questa rete è identificabile dal numero di serie dell'unità.
2. Collegarsi alla rete dell'unità Reserve utilizzando la password predefinita: 12345678.
3. Una volta effettuato il collegamento, lanciare il proprio browser mobile e inserire l'indirizzo IP dell'unità SunPower Reserve: 10.10.10.1. Questa azione consentirà di visualizzare una semplice interfaccia che permette di collegare l'unità Reserve alla rete Wi-Fi locale.
4. Toccare l'opzione "Scan" ("Scansiona") nella parte inferiore dello schermo per cercare le reti disponibili.
5. Dall'elenco delle reti visualizzate, selezionare la rete a cui l'unità Reserve dovrà connettersi e inserire la password del Wi-Fi corrispondente.
6. Una volta stabilita la connessione, l'interfaccia fornirà il messaggio di conferma "Connected OK" ("Connessione OK")



Seguendo queste istruzioni, SunPower Reserve può essere collegato e configurato in modo efficace per il funzionamento.

Se per qualche motivo SunPower Reserve ha perso la connessione a Internet, ad esempio se il cliente ha cambiato la password del Wi-Fi, la procedura sopra descritta consentirà anche ai clienti di ripristinare la connessione a Internet di SunPower Reserve.

## 8.2 Scaricamento e installazione dell'app SunPower One

1. Gli utenti di dispositivi Android possono scaricare l'applicazione SunPower One da Google Play.
2. Gli utenti di dispositivi iOS possono scaricare l'applicazione SunPower One dall'Appstore



### SUGGERIMENTO

Gli strumenti di messa in servizio, compresi i dati di accesso, sono disponibili solo per gli installatori che hanno completato i moduli di formazione necessari.

## 8.3 Messa in servizio di SunPower Reserve

Prima di iniziare, assicurarsi che il sistema Reserve sia installato correttamente e che disponga di una connessione dati funzionante.

Di seguito è riportato un riepilogo dei passaggi necessari per la messa in servizio di SunPower Reserve. Fare riferimento alle seguenti istruzioni:

1. Avviare l'applicazione SunPower One e accedere utilizzando il proprio nome utente SunPower (e-mail) e la propria password.
2. Nella schermata iniziale, toccare "Start" ("Inizia") per avviare il processo di messa in servizio di un nuovo sistema.
3. Nella schermata successiva, inserire l'indirizzo e-mail del cliente per il quale si sta installando il sistema. Questa e-mail verrà utilizzata per preconfigurare l'account del cliente necessario per accedere all'applicazione SunPower One. È fondamentale verificare l'accuratezza dell'e-mail con il cliente e assicurarsi che possa accedervi sul proprio dispositivo mobile.
4. Selezionare la configurazione di sistema appropriata come indicato nella sezione 3.3 e seguire la procedura fornita dall'applicazione per completare l'attivazione e la configurazione dell'installazione.
5. Una volta completata la configurazione di Reserve, verrà inviata un'e-mail di conferma al cliente. Questa e-mail conterrà un link all'app SunPower One, che consentirà al cliente di attivare il proprio account SunPower One e di usufruire dell'esperienza completa di SunPower One.



### ATTENZIONE

#### **Lo standard di sicurezza deve essere impostato correttamente**

La scelta di uno standard di sicurezza non valido per il proprio paese e non adatto al proprio scopo può creare disturbo nel sistema di accumulo di energia e causare problemi con l'operatore di rete. Nella scelta dello standard di sicurezza, rispettare sempre gli standard e le direttive locali, nonché le caratteristiche dell'impianto fotovoltaico (ad es. le dimensioni dell'impianto, il punto di connessione alla rete). Se non si è sicuri di quale sia lo standard di sicurezza valido per il proprio paese o il proprio scopo, contattare il gestore di rete per avere informazioni sullo standard di sicurezza da configurare.



#### **SUGGERIMENTO**

Nella fase 4 del processo di messa in servizio, i parametri disponibili cambiano a seconda della configurazione selezionata. In questa fase è importante verificare che siano interessati i valori corretti.

## **8.4 Accensione e controllo dello stato del sistema**

Assicurarsi che l'interruttore fotovoltaico, gli interruttori della batteria e tutti gli interruttori collegati al prodotto siano accesi.

## **8.5 Controllo del backup in corrente alternata (se disponibile)**

Accendere un apparecchio elettrico collegato alla porta backup dell'inverter per l'accumulo di energia.

Accendere l'interruttore CA backup dell'inverter per l'accumulo di energia.

Spegnere l'interruttore CA esterno tra la rete e l'inverter di accumulo di energia.

Il prodotto entrerà subito in modalità backup CA.

Controllare che l'apparecchio elettrico sul lato del backup continui a funzionare.



#### **ATTENZIONE**

Durante la messa in servizio, se gli indicatori LED sul display dell'inverter sono rossi o se quelli sul display della batteria sono gialli, consultare la sezione dedicata alla risoluzione dei problemi (9.0)

## **8.6. Istruire l'utente finale riguardo all'installazione dell'app SunPower One**

Assicurarsi che il proprietario della casa abbia scaricato l'APP e attivato il suo account tramite l'e-mail di benvenuto.



#### **SUGGERIMENTO**

La registrazione in garanzia del sistema SunPower Reserve viene completata quando il proprietario della casa ha attivato il proprio account cliente

## 9.0 Manutenzione e risoluzione dei problemi

### 9.1 Manutenzione ordinaria

Per far sì che il sistema di accumulo di energia funzioni correttamente nel lungo periodo, consigliamo di eseguire la manutenzione ordinaria come descritto in questo capitolo.

Controllo dell'articolo	Criteri di accettazione	Intervallo di manutenzione
Pulizia del prodotto	Il dissipatore di calore sul retro dell'inverter e i coperchi di ventilazione sono puliti e privi di ostruzioni.	6 mesi
Danno visibile al prodotto	Il prodotto non è danneggiato o deformato.	6 mesi
Stato di funzionamento del prodotto	1. Il prodotto funziona senza alcun suono anomalo. 2. Tutti i parametri del prodotto sono impostati correttamente. Eseguire questo controllo quando il prodotto è in funzione.	6 mesi
Collegamenti elettrici	1. I cavi sono collegati in modo sicuro. 2. I cavi sono intatti e non danneggiati. 3. I pressacavi non utilizzati sono sigillati.	6 mesi



#### ATTENZIONE

Prima di procedere alla pulizia, scollegare il sistema da tutte le fonti di alimentazione. Pulire l'alloggiamento, il coperchio e il display con un panno morbido.

Rischio di ustioni a causa dell'involucro e del coperchio caldi dell'inverter. L'involucro e il coperchio dell'inverter possono surriscaldarsi durante il funzionamento. Durante il funzionamento, non toccare altre parti oltre ai coperchi laterali. Prima di procedere alla pulizia, attendere per circa 30 minuti che l'inverter si sia raffreddato.

### 9.2 Risoluzione dei problemi

Per mantenere l'accuratezza del SOC, potrebbe essere necessario caricare completamente la batteria. Ciò comporterà il ripristino del SOC della batteria.

## 9.2.1. Risoluzione degli errori dell'inverter

Errore n.	Descrizione dell'errore	Soluzione
4	Inverter_lost	Comunicazione inverter persa 1. Riavviare il sistema e verificare che il guasto sia stato eliminato. 2. Contattare il servizio clienti per aggiornare da remoto il programma EMS e DSP dell'inverter, dopodiché verificare se il guasto persiste. 3. Se non è possibile eliminare il guasto, contattare il centro di assistenza per ulteriori controlli.
100000	Grid_OVP	1. Controllare se la rete presenta anomalie. 2. Verificare che il collegamento del cavo di rete sia normale. 3. Riavviare l'inverter e verificare se il guasto è ancora presente.
100001	Grid_UVP	
100002	Grid_OFP	
100003	Grid_UFP	
100005	BUS_OVP1	Controllare se la tensione in ingresso di PV1 e PV2 supera i 580 V. Se il primo non è presente, riavviare l'inverter per verificare se il guasto persiste. Se persiste, chiamare il centro di assistenza.
100007	Insulation_fault	1. Verificare che il collegamento del cavo FV sia affidabile. 2. Controllare se il cavo FV è danneggiato.
100008	GFCI_fault	1. Riavviare l'inverter e verificare se il guasto è ancora presente.
100010	GFCI_fault	
100011	Over_Temperature	1. Controllare se l'ambiente intorno all'inverter è caratterizzato da una scarsa dissipazione del calore. 2. Verificare che l'installazione dell'inverter sia conforme ai requisiti di installazione.
100012	PV_Reverse	1. Controllare se i collegamenti FV sono invertiti. 2. Se sono corretti, chiamare il centro di assistenza.
100013	BAT_Reverse	1. Controllare se i collegamenti della batteria sono invertiti. 2. Se sono corretti, chiamare il centro di assistenza.
100017	MPPT1_OVP	Controllare la tensione di PV1. Se supera i 585 V CC, ridurre il numero di moduli FV.
100021	MPPT2_OVP	Controllare la tensione di PV2. Se supera i 585 V, ridurre il numero di moduli fotovoltaici
100025	BAT_OVP	Controllare se la tensione effettiva della batteria supera di oltre 20 V la tensione di spegnimento della carica della batteria.
100026	BAT_UVP	Controllare se la tensione effettiva della batteria è inferiore alla tensione di scarica della batteria.
100027	Battery_lose	Verificare che il cablaggio sia normale e che il valore di campionamento della tensione della batteria sia inferiore a 75 V.

Errore n.	Descrizione dell'errore	Soluzione
100042	Output_short_circuit	<ol style="list-style-type: none"> <li>1. Usare un multimetro per verificare l'impedenza dell'uscita offgrid. Se è ridotta, controllare che il cablaggio sia corretto.</li> <li>2. Riavviare l'inverter per verificare se il guasto persiste. Se il problema persiste, chiamare il centro di assistenza.</li> </ol>
100043	Output_overload	Controllare se il carico supera la potenza nominale. Riavviare l'inverter per verificare se il guasto persiste. Se persiste, chiamare il centro di assistenza.
100052	Backup_ovp	Riavviare l'inverter per verificare se il guasto persiste. Se persiste, chiamare il centro di assistenza.
7	BMS perso	<p>BMS perso</p> <ol style="list-style-type: none"> <li>1. Controllare se il collegamento di comunicazione BMS tra la batteria e l'inverter è normale.</li> <li>2. Controllare che la batteria sia accesa</li> <li>3. Se il guasto non può essere eliminato, contattare il centro di assistenza per ulteriori controlli.</li> </ol>
60002	Circuit_Breaker_Open	Provare ad accendere tutti gli interruttori delle batterie, se non si riesce a risolvere il problema contattare il servizio clienti.
60004	Slave_Battery_Communication_Lost	Controllare i cavi di comunicazione tra le batterie
60006	Master_Battery_Communication_Lost	
60008	Multi_Master_error	
5	Contatore di rete perso	<p>Perdita del contatore lato rete</p> <ol style="list-style-type: none"> <li>1. Controllare che i parametri di configurazione del sistema siano corretti e che il contatore sia utilizzato sul lato della rete</li> <li>2. Controllare che il cavo di comunicazione del contatore di rete sia collegato correttamente (RS485: 3A6B).</li> <li>3. Controllare che i parametri di configurazione della comunicazione del contatore di rete siano corretti (indirizzo di comunicazione e velocità di trasmissione).</li> <li>4. Se il guasto non può essere eliminato, contattare il centro di assistenza per ulteriori controlli.</li> </ol>
6	Contatore FV perso	<p>Perdita del contatore dell'inverter FV</p> <ol style="list-style-type: none"> <li>1. Controllare se i parametri di configurazione del sistema sono corretti e se il contatore è utilizzato sul lato dell'inverter FV</li> <li>2. Controllare che i parametri di configurazione della comunicazione del contatore del lato del contatore dell'inverter FV siano corretti (indirizzo di comunicazione e velocità di trasmissione). (RS485: 3A6B).</li> <li>3. Controllare che i parametri di configurazione della comunicazione del contatore del lato del contatore dell'inverter FV siano corretti (indirizzo di comunicazione e velocità di trasmissione).</li> <li>4. Se non è possibile eliminare il guasto, contattare il centro di assistenza per ulteriori controlli.</li> </ol>

## 9.2.2. Descrizione degli errori dell'inverter

I quattro LED nella fila superiore sono: sistema (SYS), batteria (BAT), contatore (METER) e comunicazione (COM).

I cinque LED della fila inferiore sono suddivisi in due funzioni:

SOC della batteria di tutte le batterie del sistema di accumulo di energia

Quando si verifica un errore, viene visualizzato il codice di errore corrispondente. Da destra a sinistra, i numeri rappresentati da ciascuna luce sono 1, 2, 4, 8, 16.

Spia LED	Codice di errore	Display LED	Descrizione
La luce SYS rossa lampeggia rapidamente	4		Inverter perso
La luce SYS rossa è accesa; la luce METER lampeggia rapidamente se il contatore di rete è stato perso. La luce SYS rossa è accesa;	5		Contatore di rete perso
la luce METER lampeggia lentamente se il contatore FV è stato perso; è spenta se tutti i contatori sono stati persi;	6		Contatore FV perso
La luce SYS rossa è accesa, la luce BAT è spenta	7		BMS perso
L'inverter è difettoso, luce SYS rossa che lampeggia rapidamente	100000		Grid_OVP
L'inverter è difettoso, luce SYS rossa che lampeggia rapidamente	100001		Grid_UVP
	100002		Grid_OFP
	100003		Grid_UFP
L'inverter è difettoso, luce SYS rossa che lampeggia rapidamente	100005		BUS_OVP1
	100007		Insulation_fault
	100008		GFCI_fault
	100010		Grid_relay_fault



Spia LED	Codice di errore	Display LED	Descrizione
	100011		Over_Temperature
	100012		PV_Reverse
	100013		BAT_Reverse
	100017		MPPT1_OVP
	100021		MPPT2_OVP
L'inverter è difettoso, luce SYS rossa che lampeggia rapidamente	100025		BAT_OVP
	100026		BAT_UVP
	100027		Battery_lose
	100042		Output_short_circuit
	100043		Output_overload
	100052		Backup_ovp
La luce SYS rossa è accesa, la luce BAT lampeggia quando la batteria è difettosa.	60002		Circuit_Breaker_Open
	60004		Slave_Battery_Communication_Lost
	60006		Master_Battery_Communication_Lost
La luce SYS rossa è accesa, la luce BAT lampeggia quando la batteria è difettosa	60008		Multi_Master_error

**SUGGERIMENTO**

1. I quattro LED della prima fila sono: sistema (SYS), batteria (BAT), contatore (METER) e comunicazione (COM);
2. I cinque LED della seconda fila sono suddivisi in due funzioni:
  - Visualizzazione della potenza SOC della batteria
  - Quando si verifica un guasto, viene visualizzato il codice di guasto corrispondente.

### 9.2.3. Descrizione della protezione della batteria

I tre indicatori LED sul coperchio anteriore della batteria forniscono informazioni sullo stato di protezione della batteria con luci gialle fisse o lampeggianti.

Simbolo	Descrizione
	LED giallo lampeggiante
	LED giallo acceso
	LED spento

Spia LED	N. protezione	Display LED	Descrizione	Risoluzione dei problemi
LED gialli accesi o LED gialli che lampeggiano una volta al secondo	1		Differenza di temperatura	Attendere il ripristino automatico. Se il problema non si è ancora risolto, chiamare il centro di assistenza.
	2		Alto temperatura	Interrompere la scarica e la carica fino a quando non viene eliminato questo stato di visualizzazione e attendere che la temperatura si abbassi.
	3		Temperatura di scarica bassa	Interrompere la scarica fino a quando non viene eliminato questo stato di visualizzazione e attendere che la temperatura salga.
	4		Carica sovracorrente	Attendere il ripristino automatico. Se il problema non è ancora stato risolto, chiamare il centro di assistenza.
	5		Scarica sovracorrente	
	6		Sovratensione cella	Interrompere la scarica e chiamare immediatamente l'assistenza.
	7		Cella sotto tensione	
	8		Temperatura di carica bassa	Interrompere la scarica finché non viene eliminato questo stato di visualizzazione e attendere che la temperatura salga.



### SUGGERIMENTO

In modalità di lavoro, se appare lo stato di protezione "Cell under voltage" ("Cella sotto tensione"), premere il pulsante di accensione 5 volte entro 10 secondi; il BMS sarà costretto ad attivare il MOSFET di scarica in modo che l'inverter possa rilevare la tensione aperta della batteria e caricarla.

## 9.2.4. Descrizione degli errori della batteria

Spia LED	Errore n.	Display LED	Descrizione	Risoluzione dei problemi
LED gialli accesi o LED gialli che lampeggiano una volta al secondo	Errore 01		Errore hardware	Attendere il ripristino automatico. Se il problema non è ancora stato risolto, chiamare il centro di assistenza.
	Errore 05		Errore hardware	
	Errore 06		Interruttore aperto	Accendere l'interruttore dopo lo spegnimento della batteria.
	Errore 08		Disconnessione LMU (slave)	Ricollegare il cavo di comunicazione del BMS.
	Errore 09		SN mancante	Contattare l'installatore o il servizio clienti.
	Errore 10		Disconnessione LMU (master)	Ricollegare il cavo di comunicazione del BMS.
	Errore 11		Versione software non coerente	Contattare l'installatore o il servizio clienti.
	Errore 12		Multi master	Riavviare tutte le batterie.
	Errore 13		Surriscaldamento MOS	Spegnere la batteria e accenderla dopo 30 minuti
	Errore 14		Guasto di isolamento	Riavviare la batteria e, se il problema non viene risolto, contattare l'installatore
Errore 15		Guasto di tensione totale	Riavviare la batteria e, se il problema non viene risolto, contattare l'installatore o il servizio clienti.	



### SUGGERIMENTO

In modalità di lavoro, se appare lo stato di protezione "Cell under voltage" ("Sottotensione cella"), premere il pulsante di accensione 5 volte entro 10 secondi; il BMS sarà costretto ad attivare il MOSFET di scarica in modo che l'inverter possa rilevare la tensione aperta della batteria e caricarla.

## 10.0 Disinstallazione e restituzione

### 10.1. Rimozione del prodotto

#### Procedura

1. Spegnerne il sistema di accumulo di energia seguendo le istruzioni del capitolo 7.2 Procedura di spegnimento del sistema.
2. Scollegare tutti i cavi dal prodotto, compresi i cavi di comunicazione, i cavi di alimentazione FV, i cavi di alimentazione della batteria, i cavi CA e i cavi PE.
3. Rimuovere il modulo WiFi.
4. Rimuovere l'inverter dalla parte superiore della batteria.
5. Rimuovere la staffa a parete della batteria.
6. Rimuovere la batteria.
7. Rimuovere la staffa a parete della batteria di espansione, se presente.
8. Rimuovere la batteria di espansione, se presente

### 10.2. Imballaggio del prodotto

Se è disponibile la confezione originale, inserire il prodotto al suo interno e sigillarlo con del nastro adesivo. Se la confezione originale non è disponibile, inserire il prodotto in una scatola di cartone adatta e sigillarla adeguatamente.

### 10.3. Smaltimento del prodotto

Al termine del ciclo di vita del prodotto, smaltirlo secondo le norme locali sullo smaltimento dei rifiuti di apparecchiature elettriche e componenti elettronici. Smaltire l'imballaggio e le parti sostituite secondo le regole vigenti nel luogo di installazione del dispositivo.

Non smaltire il prodotto con i normali rifiuti domestici.



## 11.0 Specifiche

### 11.1 Scheda tecnica dell'inverter

Articolo	RESERVE-INV-1-P5-L1-INT
<b>Ingresso CC (lato FV)</b>	
Potenza FV max raccomandata	10000 W
Max tensione di ingresso FV	580 V
Tensione nominale	360 V
Tensione di avvio	90 V
Intervallo di tensione MPPT	100-550 V
Corrente max in ingresso per MPPT	15 A/15 A
Corrente di cortocircuito max per MPPT	18,75 A/18,75 A
Numero di MPPT	2
Numero max di stringhe in ingresso per MPPT	1
<b>Batteria</b>	
Tipo di batteria	Agli ioni di litio
Intervallo di tensione della batteria	80-450 V
Potenza massima di carica	5 kW
Corrente massima di carica/scarica	60 A/60 A
Comunicazione	CAN
<b>Uscita CA (Back-up)</b>	
Potenza nominale in uscita	5 kW
Potenza apparente max in uscita	5 kVA
Tempo di commutazione del back-up	< 20 ms
Tensione di uscita nominale	L/N/PE, 230 V
Frequenza nominale	50/60 Hz
Corrente di uscita nominale	21,7 A
THDv(@carico lineare)	3%

Articolo	RESERVE-INV-1-P5-L1-INT
<b>Ingresso CA (lato rete)</b>	
Tensione nominale in ingresso	L/N/PE, 230 V
Frequenza nominale	50/60 Hz
Potenza nominale in ingresso	10 kW
Corrente max in ingresso	43,5 A
<b>Uscita CA (lato rete)</b>	
Potenza nominale in uscita	5 kW
Potenza apparente max in uscita	5 kVA
Fase operativa	Monofase
Tensione nominale di rete	L/N/PE, 230 V
Intervallo di tensione della rete	180-270 V
Frequenza nominale di rete	50/60 Hz
Corrente nominale in uscita della rete	21,7 A
Fattore di potenza	>0,99 (0,8 in testa - 0,8 in coda)
Thdi	< 3%
Classe di protezione	I
Categoria di sovratensione	III
<b>Efficienza</b>	
Efficienza max	> 97%
Efficienza UE	>96,2%
<b>Protezione</b>	
Protezione anti-isola	Integrata
Rilevamento della resistenza di isolamento	Integrato
Unità di monitoraggio della corrente differenziale	Integrata
Protezione dalla sovracorrente in uscita	Integrata
Protezione dai cortocircuiti in uscita	Integrata
Protezione dalla sovratensione in uscita	Integrata
Protezione dall'inversione di polarità CC	Integrata
Protezione dalla sovratensione fotovoltaica	Integrata
Interruttore FV	Integrato
Interruttore batteria	Integrato

Articolo	RESERVE-INV-1-P5-L1-INT
<b>Dati generali</b>	
Dimensioni (L*P*H)	610*212*380 mm
Peso	20 kg
Topologia	Senza trasformatore
Intervallo temperatura di funzionamento	-25/+60 °C
Protezione ingresso	IP65
Emissione di rumore	<30 dB(A) @1 m
Tipologia di raffreddamento	Convezione naturale
Altitudine max di funzionamento	2.000 m
<b>Caratteristiche</b>	
Collegamento FV	Connettori plug-in, MC4
Collegamento alla rete	Connettori plug-in
Collegamento di back-up	Connettori plug-in
Collegamento BAT	Morsetto a vite
Comunicazione	LAN, WiFi

## 11.2 Scheda tecnica della batteria

Articolo	RESERVE-BAT-1-DC-10.1-INT
<b>Dati generali</b>	
Tipo di batteria	LFP (LiFePO4)
Peso	90 kg
Dimensioni (L*P*H)	610 * 212 * 829 mm
Protezione ingresso	IP65
Capacità energetica	10,1 kWh
Capacità utilizzabile	9,6 kWh
DoD	95%
Tensione nominale	96 V
Intervallo di tensione operativa	90~108 V
Corrente massima di carica/scarica*	60 A
Intervallo di temperatura operativa	Carica: $0 < T \leq 50^{\circ}\text{C}$ Scarica: $-10 < T \leq 50^{\circ}\text{C}$
Parametri di monitoraggio	Tensione del sistema, corrente, tensione della cella, temperatura della cella, temperatura del PCBA
Comunicazione BMS	CAN
<b>Sistema</b>	
Sicurezza	IEC62619/ IEC63056/IEC62040/IEC61000
Trasporto	UN38.3

\*Il declassamento della corrente massima di carica/scarica è legato alla temperatura e al SOC



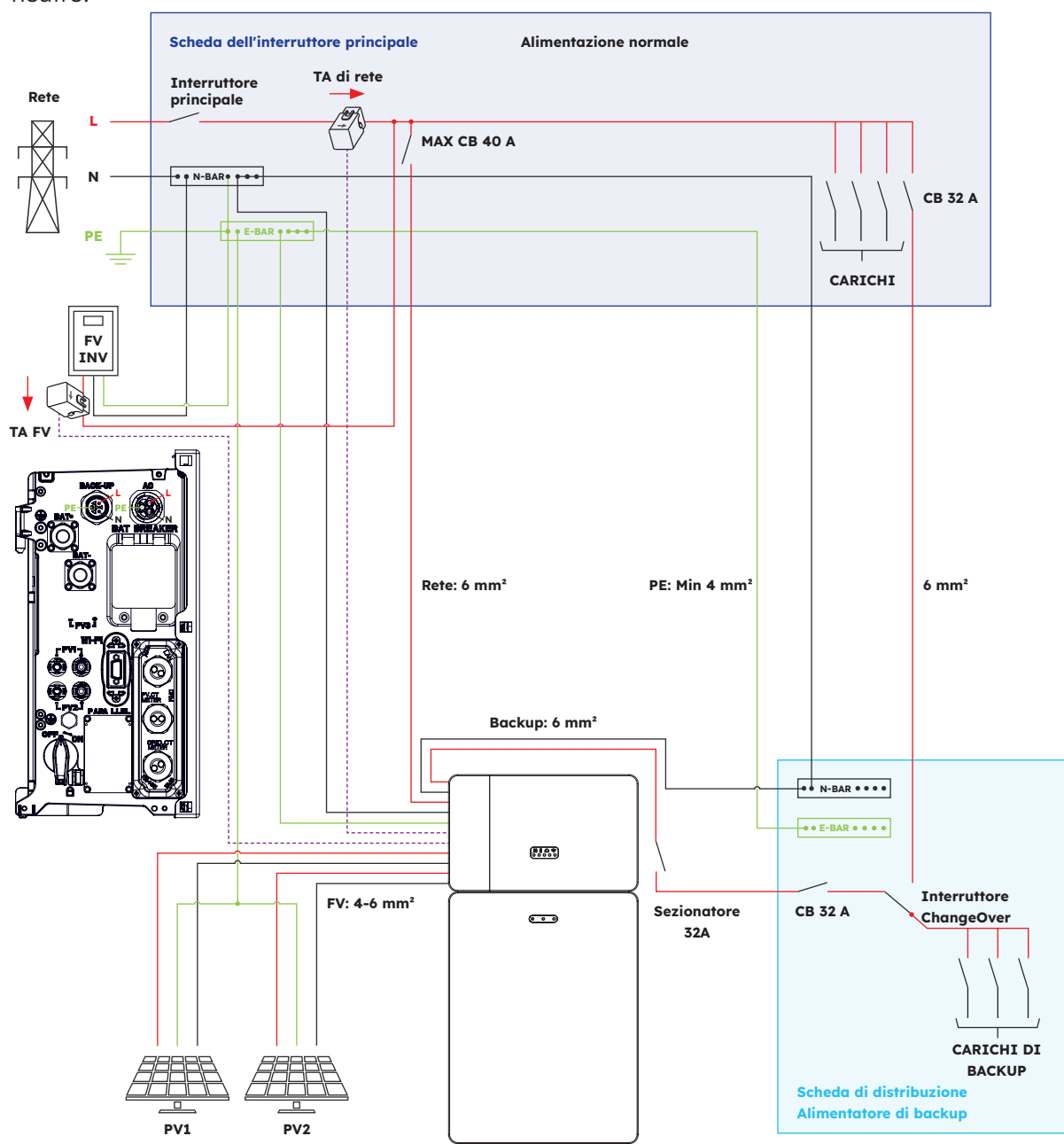
## 12.0 Appendice 1: Panoramica del sistema

### 12.1 Schema elettrico del sistema per l'Australia

#### 12.1.1. Configurazione ad accoppiamento ibrido o in corrente alternata (AUS)

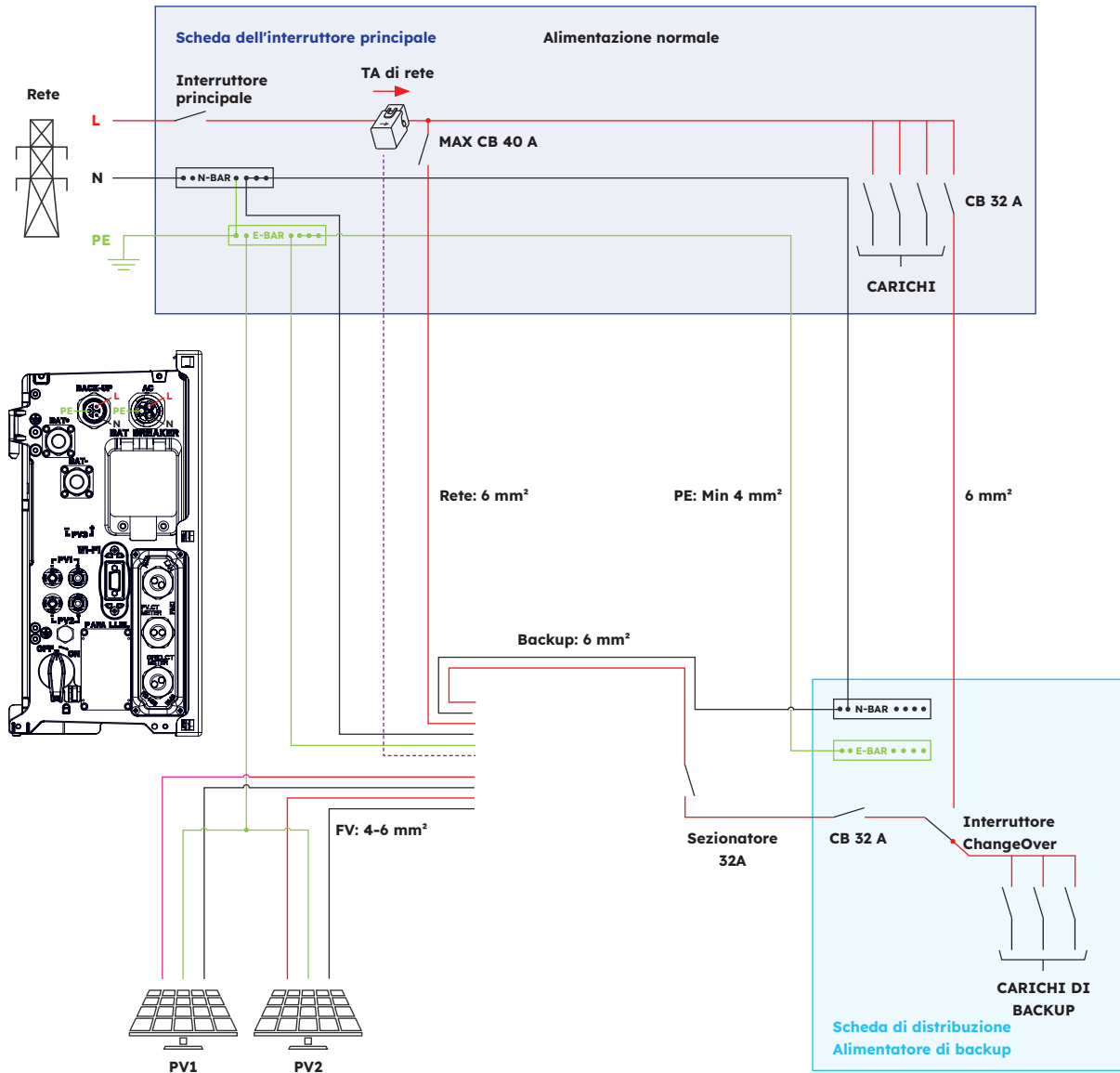
Schema elettrico Sun Power Reserve ad accoppiamento ibrido con monofase (AU)

Nota: Il neutro è commutato, quindi il neutro del backup CA deve essere collegato alla barra del neutro.



## 12.1.2. Configurazione ad accoppiamento in corrente continua (AUS)

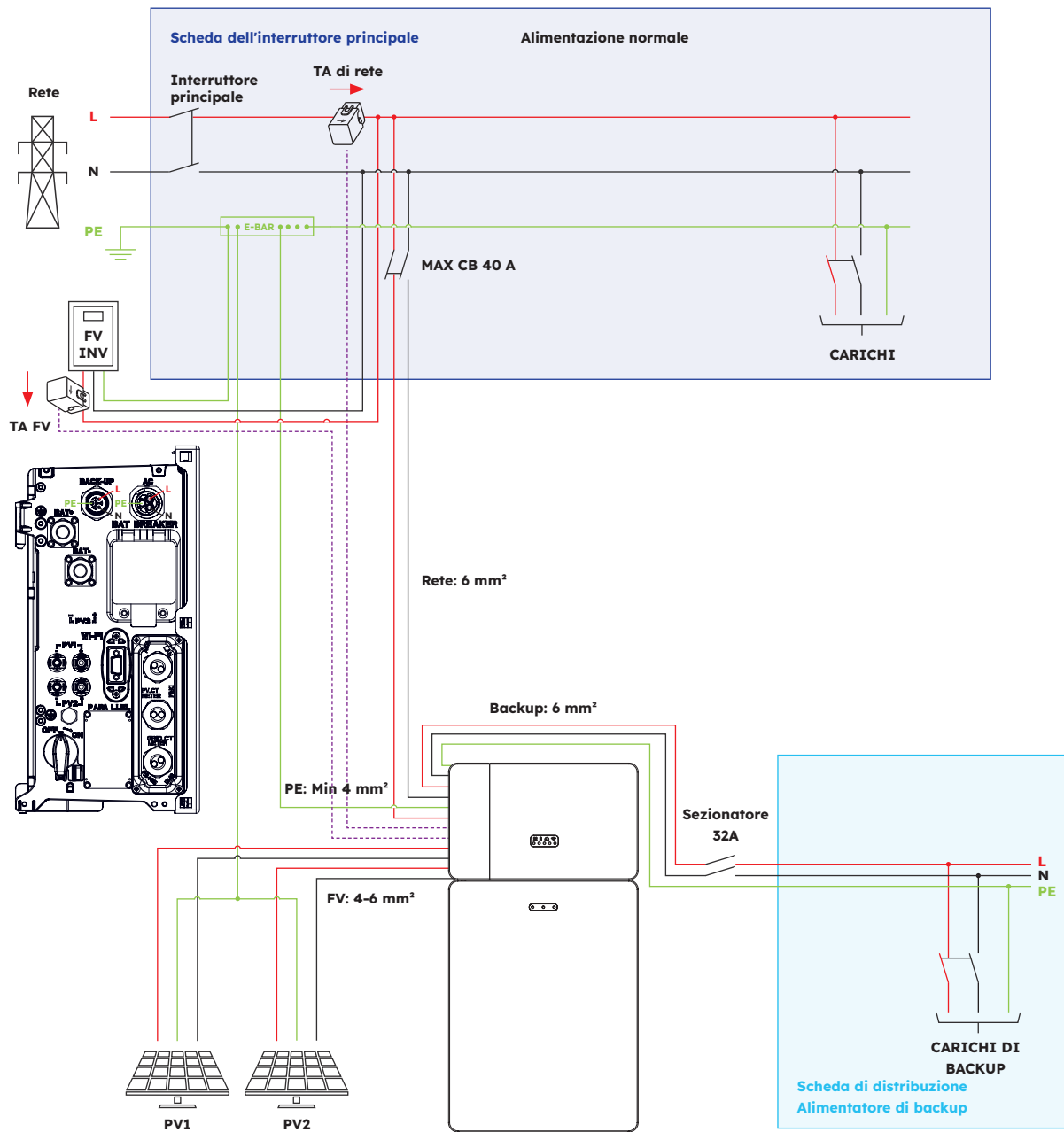
Schema elettrico Sun Power Reserve ad accoppiamento in corrente continua con monofase (AU)  
 Nota: Il neutro è commutato, quindi il neutro del backup CA deve essere collegato alla barra del neutro.



## 12.2. Schema elettrico del sistema per l'Europa

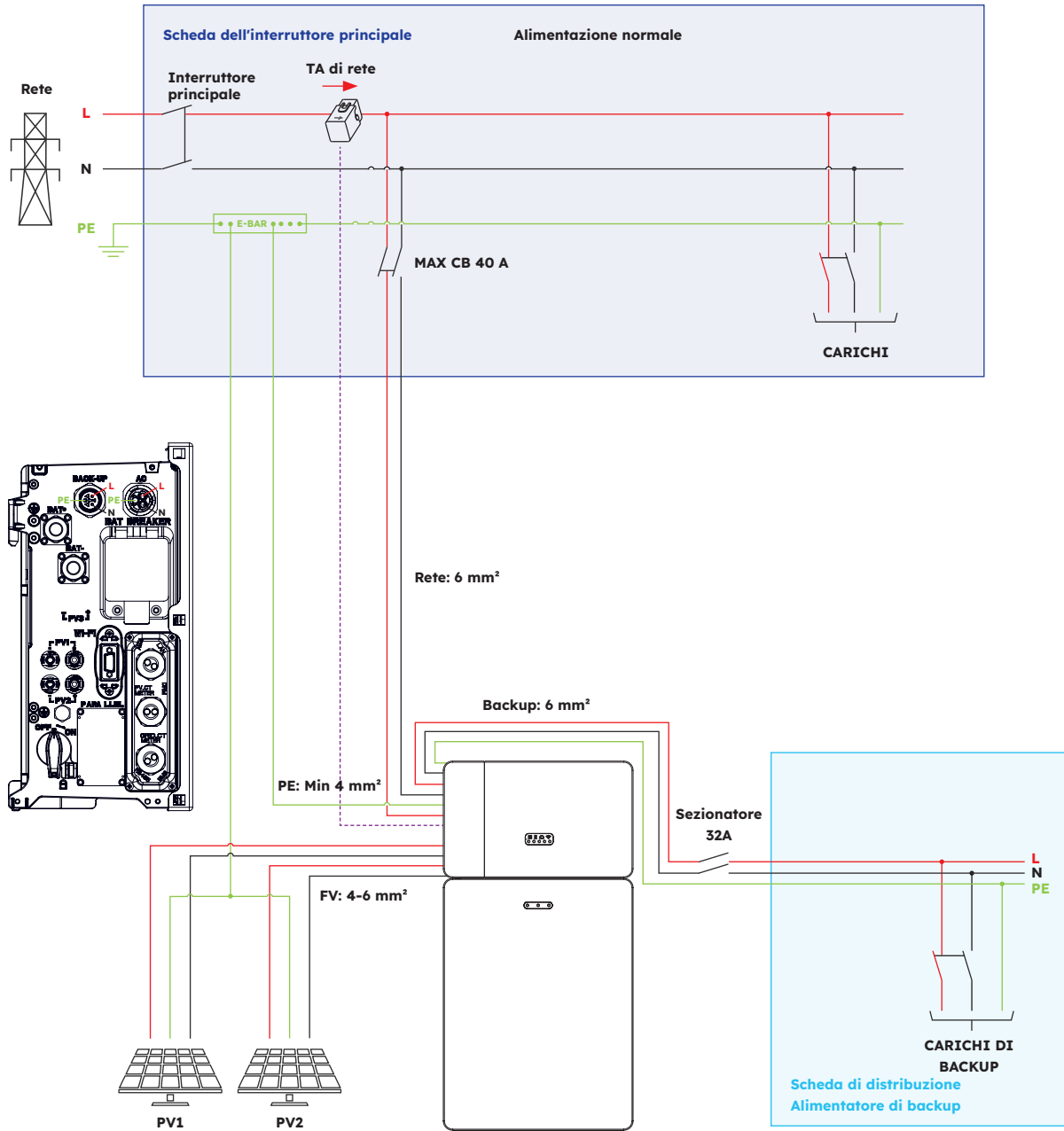
### 12.2.1. Configurazione ad accoppiamento ibrido o in corrente alternata (UE)

Schema elettrico SunPower Reserve ad accoppiamento ibrido con monofase (UE)



## 12.2.2. Configurazione ad accoppiamento in corrente continua (UE)

Schema elettrico Sun Power Reserve ad accoppiamento in corrente continua con monofase (UE)



## 13.0 Appendice 2: Riferimento norme nazionali

Verificare con il proprio operatore di rete locale e scegliere il riferimento norme nazionali corrispondente; le modalità di qualità dell'energia Volt-VAR e Volt-Watt saranno attive automaticamente. (Solo per le regioni con normative di sicurezza AS/NZW 4777.2).

Paese (DNSP)	Standard di sicurezza	Impostazione della regione
Ausgrid, Ausnet, Citipower, Endeavour Energy, Energex, Ergon, Essential Energy, Evoenergy, Jemena, SA Power Networks, PowerCor, United Energy	AS/NZS 4777.2: 2020	Australia A
Western Power	AS/NZS 4777.2: 2020	Australia B
Horizon Power e TasNetworks	AS/NZS 4777.2: 2020	Australia C
Nuova Zelanda	AS/NZS 4777.2: 2020	Nuova Zelanda
Germania	VDE4105/11.18	Germania
Italia	CEI 0-21	Italia
Spagna	RD1699/UNE	Spagna
Belgio	C10/C11	Belgio
Paesi Bassi	EN50549	Paesi Bassi

# SunPower Reserve

## Sistema de almacenamiento de energía para el hogar



## Seguridad e instrucciones de instalación

547143 Revisión C  
Publicado en diciembre de 2023

Este documento es válido para la instalación del sistema de energía doméstico SunPower Reserve, incluyendo:

- Inversor: RESERVE-INV-1-P5-L1-INT
- Batería: RESERVE-BAT-1-DC-10.1-INT
- Medidor: CHINT-DTSU666-AC-L3-INT

Este documento describe el montaje, la instalación, la puesta en servicio, la configuración, el funcionamiento, la resolución de problemas y el apagado de los productos, así como el funcionamiento de la interfaz de usuario del producto. La documentación adjunta es parte integral de este producto. Guarde la documentación en un lugar práctico para futuras consultas y siga todas las instrucciones proporcionadas.

Las ilustraciones de este documento se reducen a la información esencial y pueden diferir del producto real.



Para obtener la última versión, consulte  
[www.sunpower.maxeon.com/int/InstallGuideReserve](http://www.sunpower.maxeon.com/int/InstallGuideReserve)  
El contenido está sujeto a cambios sin previo aviso.  
Maxeon Solar Technologies, Ltd.  
[sunpower.maxeon.com](http://sunpower.maxeon.com)

<b>1.0</b>	<b>Introducción</b>	<b>5</b>
1.1.	Descargo de responsabilidad	5
1.2.	Licencia de código abierto	5
1.3	Niveles de mensajes	5
1.4.	Definición de abreviaturas y sustantivos	6
<b>2.0</b>	<b>Seguridad</b>	<b>7</b>
2.1.	Uso previsto	7
2.2.	Instrucciones de seguridad para la batería	7
2.2.1.	Precauciones generales de seguridad	7
2.2.2.	Respuesta a situaciones de emergencia	8
2.3.	Instrucciones importantes de seguridad	9
2.4.	Explicación de los símbolos	11
<b>3.0</b>	<b>Introducción del producto y escenarios de aplicación</b>	<b>13</b>
3.1.	Introducción del sistema	13
3.2.	Descripción del inversor	14
3.2.1.	Introducción a la interfaz eléctrica del inversor	14
3.2.2.	Interfaz LED del inversor	15
3.3	Descripción de la batería	17
3.4.	Escenarios de aplicación	19
3.4.1.	Sistema de almacenamiento acoplado a CC	19
3.4.2.	Sistema de almacenamiento acoplado a CA	20
3.4.3.	Sistema de almacenamiento con acoplamiento híbrido	20
<b>4.0</b>	<b>Almacenamiento y transporte</b>	<b>21</b>
4.1.	Almacenamiento	21
4.2.	Transporte	22
<b>5.0</b>	<b>Montaje</b>	<b>23</b>
5.1.	Comprobación del embalaje exterior	23
5.2.	Contenido del paquete	23
5.3.	Incluido en la caja	23
5.4.	Preparación de herramientas e instrumentos	25
5.5.	Requisitos de montaje	26
5.6.	Montaje del sistema de almacenamiento de energía	28
5.6.1.	Montaje de la batería	28
5.6.2.	Montaje del inversor	29
5.6.3.	Montaje del módulo Wi-Fi	30

<b>6.0</b>	<b>Conexión eléctrica</b>	<b>31</b>
<b>6.1.</b>	<b>Requisitos de los cables para la conexión</b>	<b>31</b>
<b>6.2.</b>	<b>Conexión de una toma a tierra adicional</b>	<b>32</b>
<b>6.3.</b>	<b>Conexión de CA</b>	<b>33</b>
6.3.1.	Requisitos para la conexión de CA	33
6.3.2.	Selección del disyuntor de CA adecuado	34
6.3.3.	Conexiones de red y de respaldo	34
6.3.4.	Corriente nominal de los TC	36
6.3.5.	Conexión del TC	37
6.3.6.	Conexión del medidor	39
<b>6.4.</b>	<b>Conexión FV</b>	<b>41</b>
<b>6.5.</b>	<b>Conexión eléctrica entre el inversor y las baterías</b>	<b>42</b>
6.5.1.	Conexión eléctrica entre el inversor y la primera batería	42
6.5.2.	Conexión del cable de comunicación	42
6.5.3.	Conexión de cables de potencia	45
6.5.4.	Conexión eléctrica para baterías adicionales	45
6.5.5.	Otras conexiones de comunicación del inversor	46
<b>6.6.</b>	<b>Montaje de la batería y de las cubiertas del inversor</b>	<b>48</b>
<b>6.7.</b>	<b>Montaje de los tapones (opcional)</b>	<b>50</b>
<b>7.0</b>	<b>Procedimiento de arranque y apagado</b>	<b>51</b>
<b>7.1.</b>	<b>Procedimiento de arranque</b>	<b>51</b>
<b>7.2.</b>	<b>Procedimiento de apagado</b>	<b>51</b>
<b>7.3.</b>	<b>Comprobaciones antes del arranque</b>	<b>52</b>
<b>8.0</b>	<b>Configuración de un nuevo sistema (puesta en servicio)</b>	<b>53</b>
<b>8.1.</b>	<b>Conectar Reserve a Internet</b>	<b>53</b>
<b>8.2.</b>	<b>Descargar e instalar la aplicación SunPower One</b>	<b>54</b>
<b>8.3.</b>	<b>Puesta en servicio de SunPower Reserve</b>	<b>54</b>
<b>8.4.</b>	<b>Encender el sistema y comprobar su estado</b>	<b>55</b>
<b>8.5.</b>	<b>Comprobar el respaldo de la CA (si está disponible)</b>	<b>55</b>
<b>8.6.</b>	<b>Instruccione al usuario final para que instale la aplicación de SunPower One</b>	<b>55</b>
<b>9.0</b>	<b>Mantenimiento y resolución de problemas</b>	<b>56</b>
<b>9.1.</b>	<b>Mantenimiento de rutina</b>	<b>56</b>
<b>9.2.</b>	<b>Resolución de problemas</b>	<b>56</b>
9.2.1.	Resolución de errores del inversor	57
9.2.2.	Descripción de errores del inversor	59
9.2.3.	Descripción de la protección de la batería	61
9.2.4.	Descripción del error de la batería	62



<b>10.0</b>	<b>Desinstalación y devolución</b>	<b>61</b>
<b>10.1.</b>	<b>Extracción del producto</b>	<b>61</b>
<b>10.2.</b>	<b>Embalaje del producto</b>	<b>61</b>
<b>10.3.</b>	<b>Eliminación del producto</b>	<b>61</b>
<b>11.0</b>	<b>Especificación</b>	<b>62</b>
<b>11.1.</b>	<b>Ficha técnica del inversor</b>	<b>62</b>
<b>11.2.</b>	<b>Ficha técnica de la batería</b>	<b>65</b>
<b>12.0</b>	<b>Anexo 1: Visión general del sistema</b>	<b>66</b>
<b>12.1.</b>	<b>Esquema eléctrico del sistema para Australia</b>	<b>66</b>
12.1.1.	Configuración híbrida o acoplada de CA (AUS)	66
12.1.2.	Configuración acoplada de CC (AUS)	67
<b>12.2.</b>	<b>Esquema eléctrico del sistema para Europa</b>	<b>68</b>
12.2.1.	Configuración híbrida o acoplada de CA (UE)	68
12.2.2.	Configuración acoplada de CC (UE)	69
<b>13.0</b>	<b>Anexo 2: Norma de aplicación regional</b>	<b>70</b>

# 1.0 Introducción

## 1.1. Descargo de responsabilidad

Este documento está destinado a personas cualificadas y usuarios finales. Las operaciones marcadas con un símbolo de PELIGRO o PRECAUCIÓN solo deben ser realizadas por personal cualificado. Los usuarios finales sin cualificación específica pueden realizar cualquier tarea no marcada.

Las personas cualificadas deben tener:

- Conocimiento del funcionamiento y manejo de un inversor
- Conocimiento del funcionamiento y manejo de las baterías
- Formación sobre cómo afrontar los peligros y riesgos asociados a la instalación, reparación y uso de dispositivos, baterías e instalaciones eléctricas
- Formación sobre la instalación y puesta en servicio de dispositivos e instalaciones eléctricas
- Conocimiento de las leyes, normas y directivas aplicables en la región de instalación
- Conocimiento y cumplimiento de este documento, incluidas todas las precauciones de seguridad
- Conocimiento y cumplimiento de los documentos del fabricante de la batería, incluidas todas las precauciones de seguridad

## 1.2. Licencia de código abierto

Este producto contiene software de código abierto, desarrollado por terceros y licenciado mediante vehículos que incluyen GPL o LGPL. Para obtener más información, una lista del software de código abierto utilizado y los textos de las licencias correspondientes, consulte la sección Licencias de nuestra aplicación Sunpower y del sitio web de Maxeon (<https://corp.maxeon.com/legal>).

## 1.3. Niveles de mensajes

Al manipular el producto, pueden producirse los siguientes niveles de mensajes



**PELIGRO**

PELIGRO indica una situación peligrosa que, si no se evita, provocará la muerte o lesiones graves.



**PRECAUCIÓN**

PRECAUCIÓN indica una situación que, si no se evita, puede provocar daños materiales o lesiones leves o moderadas.



**CONSEJO**

CONSEJO proporciona información para la instalación y el funcionamiento óptimos del producto.

## 1.4. Definición de abreviaturas y sustantivos

Abreviatura	Descripción
AUX	Dispositivos auxiliares
BAT	Batería
BMS	Sistema de gestión de baterías
CA	Corriente alterna
CC	Corriente continua
DNSP	Proveedor de servicios de red distribuida
DRM	Modo de respuesta a demanda
EMS	Sistema de gestión de la energía
FV	Fotovoltaico
INV	Inversor
LED	Diodo emisor de luz
SOC	Estado de carga
TC	Transformadores de corriente

## 2.0 Seguridad

### 2.1. Uso previsto

Producto(s)	Uso previsto y requisitos de instalación
<b>Sistema SunPower Reserve incluido:</b> <ul style="list-style-type: none"><li>• <b>RESERVE-INV-1-P5-L1-INT</b></li><li>• <b>RESERVE-BAT-1-DC-10.1-INT</b></li><li>• <b>Transformadores de corriente o medidores eléctricos</b></li></ul>	<p>El sistema SunPower Reserve está destinado a su instalación en viviendas residenciales para optimizar el autoconsumo. Es apto para su instalación en interiores y exteriores.</p> <p>Todos los componentes deben funcionar en un escenario adecuado para su operación. Cualquier uso del producto o productos distinto del descrito en esta sección no se considerará apropiado. Asegúrate de utilizar este producto de acuerdo con la información proporcionada en los documentos adjuntos y de conformidad con las normas y directivas locales aplicables.</p> <p>Cualquier otra operación puede causar lesiones personales o daños materiales. Las alteraciones del producto, por ejemplo, cambios o modificaciones, solo se permiten con el permiso expreso por escrito de Maxeon Solar Technologies.</p> <p>Las alteraciones no autorizadas anularán los derechos de garantía. Maxeon Solar Technologies no se hace responsable de los daños causados por dichos cambios.</p> <p>La etiqueta de tipo debe permanecer permanentemente adherida al producto.</p> <p>Este documento es parte integral de este producto. Asegúrate de que esté disponible para futuras consultas y de cumplir con todas las instrucciones que contiene.</p>
<b>INVERSOR:</b> <b>RESERVE-INV-1-P5-L1-INT</b>	<p>El inversor se utiliza para la transferencia bidireccional entre corriente alterna y corriente continua.</p> <p>Solo debe utilizarse con campos FV con clase de protección II de acuerdo con la norma IEC 61730, clase de aplicación A. La capacitancia de acoplamiento de los módulos FV no debe superar 1,0 µF.</p>
<b>BATERÍA:</b> <b>RESERVE-BAT-1-DC-10.1-INT</b>	<p>El grupo de baterías solo debe utilizarse para el almacenamiento de energía con un inversor SunPower Reserve.</p>

## 2.2. Instrucciones de seguridad para la batería

### 2.2.1 Precauciones generales de seguridad

1. Una sobretensión o un cableado incorrecto pueden dañar el grupo de baterías y provocar una deflagración, lo que puede ser extremadamente peligroso.
2. Cualquier tipo de avería de la batería puede provocar una fuga de electrolito o gas inflamable.
3. El usuario no puede reparar el grupo de baterías. Hay alta tensión en el aparato.
4. Lee la etiqueta con Símbolos de Advertencia y Precauciones, que se encuentra en el lado derecho de la batería.


5. No conectes ningún conductor de CA ni FV directamente al grupo de baterías, que solo debe conectarse al inversor.
6. No cargues ni descargues la batería dañada.
7. No dañes la batería por caída, deformación, golpe, corte o perforación con un objeto afilado. Puede provocar una fuga de electrolito o un incendio.
8. No expongas la batería a una llama abierta.

## 2.2.2. Respuesta a situaciones de emergencia

La batería está diseñada para evitar el peligro causado por un mal funcionamiento.


Si se produce un accidente en tierra, aleja los objetos de la batería dañada, sepáralos si es posible de forma segura y llama a los bomberos o al servicio técnico local.

Si se produce un accidente en el agua, manténte fuera del agua y no toques nada si alguna parte de la batería, el inversor o el cableado están sumergidos. No vuelvas a utilizar la batería y ponte en contacto con el servicio técnico.

Escenario	Medidas recomendadas
<p><b>Si la carcasa de la batería está dañada y el usuario toca el material interior de las celdas de la batería</b></p>	<ol style="list-style-type: none"> <li>1. <b>En el caso de inhalación:</b> Abandona inmediatamente la zona contaminada y busca atención médica.</li> <li>2. <b>Si se lastiman los ojos:</b> Enjuágate los ojos con agua corriente durante 15 minutos y busca atención médica.</li> <li>3. <b>Si se lesiona la piel:</b> Lávate la zona de contacto con jabón y busca atención médica.</li> <li>4. <b>En caso de ingestión:</b> Provoca el vómito y busca atención médica.</li> </ol>
<p><b>Si se produce un incendio en el lugar donde está instalada la batería</b></p>	<p><b>Necesitarás:</b></p> <ul style="list-style-type: none"> <li>• FM-200, CO<sup>2</sup> u otro extintor adecuado para usar sobre el fuego de la batería.</li> <li>• El extintor ABC podría utilizarse en otros elementos, donde no entrará en contacto con la batería.</li> </ul> <p><b>Qué hacer:</b></p> <ol style="list-style-type: none"> <li>1. Si se produce un incendio al cargar las baterías, si es seguro hacerlo, desconecta el disyuntor del grupo de baterías para interrumpir la alimentación de carga.</li> <li>2. Si la batería aún no se ha incendiado, apaga el fuego antes de que se incendie la batería.</li> <li>3. Si se incendia la batería, no intentes extinguir el fuego, evacúa inmediatamente a las personas.</li> </ol>
<p> <b>Si se quema la parte trasera de la batería</b></p>	<p>Puede producirse una posible explosión cuando las baterías se calientan por encima de los 150 °C. Cuando la batería está ardiendo, emite gases venenosos. <b>No te acerques.</b></p>












## 2.3. Instrucciones de seguridad importantes

Escenarios de alto riesgo	Medidas recomendadas
 <p><b>Peligro de muerte por descarga eléctrica al tocar componentes o cables bajo tensión</b></p>	<p>Hay alta tensión en los componentes conductores o en los cables del inversor. Tocar piezas y cables bajo tensión puede provocar la muerte o lesiones mortales por descarga eléctrica.</p> <ul style="list-style-type: none"> <li>• No toques las piezas ni los cables que no estén aislados.</li> <li>• Desconecta el producto de las fuentes de tensión y asegúrate de que no puede volver a conectarse antes de trabajar en el inversor o en el grupo de baterías.</li> <li>• Tras la desconexión, espera 5 minutos hasta que los condensadores del interior del inversor se hayan descargado.</li> <li>• No abras el producto.</li> <li>• Usa equipo de protección individual adecuado para todas las operaciones que se realicen con el producto.</li> </ul>
 <p><b>Peligro de muerte debido a tensiones peligrosas en la batería</b></p>	<p>Hay tensión peligrosa en el conector de clavijas del cable de alimentación. Introducir la mano en el conector de clavijas del cable de alimentación puede provocar una descarga eléctrica mortal.</p> <ul style="list-style-type: none"> <li>• No abras la batería.</li> <li>• No limpies la batería con un paño húmedo.</li> <li>• Deja las tapas protectoras en los conectores de clavija para la conexión de alimentación de las baterías hasta que los cables del inversor estén conectados al grupo de baterías. Desconecta el sistema de las fuentes de tensión y asegúrate de que no se puede volver a conectar antes de trabajar en el inversor o en el grupo de baterías</li> </ul>
 <p><b>Peligro de muerte por descarga eléctrica al tocar un módulo FV o matriz de generador sin conexión a tierra</b></p>	<ul style="list-style-type: none"> <li>• Tocar módulos fotovoltaicos o matrices sin conexión a tierra puede provocar la muerte o lesiones mortales por descarga eléctrica.</li> <li>• Conecta y pon a tierra el bastidor de los módulos FV, la matriz y las superficies conductoras de electricidad para que haya una conducción continua.</li> <li>• Respeta la normativa local vigente.</li> </ul>
 <p><b>Peligro de muerte por descarga eléctrica al tocar componentes bajo tensión o cables fotovoltaicos</b></p>	<p>Cuando los paneles fotovoltaicos se exponen a la luz solar, la matriz fotovoltaica genera una alta tensión de CC que se presenta en los conductores de CC. Tocar los cables de CC bajo tensión puede provocar la muerte o lesiones mortales por descarga eléctrica.</p> <ul style="list-style-type: none"> <li>• Desconecta el inversor de las fuentes de tensión y asegúrate de que no se puede volver a conectar antes de trabajar en el aparato.</li> <li>• No toques las piezas ni los cables que no estén aislados.</li> <li>• No desconectes los conectores de CC bajo carga.</li> <li>• Lleva un equipo de protección personal adecuado para todos los trabajos en el inversor.</li> </ul>
 <p><b>Peligro de muerte por descarga eléctrica al tocar componentes del sistema bajo tensión en caso de fallo a tierra</b></p>	<p>Cuando se produce un fallo a tierra, algunas partes del sistema pueden seguir bajo tensión. Tocar piezas y cables bajo tensión puede provocar la muerte o lesiones mortales por descarga eléctrica.</p> <ul style="list-style-type: none"> <li>• Desconecta el producto de las fuentes de tensión y asegúrate de que no se puede volver a conectar antes de trabajar en el aparato.</li> <li>• Toca los cables de la matriz FV solo por el aislamiento.</li> <li>• No toques ninguna parte de la subestructura ni la matriz FV.</li> <li>• No conectes al inversor cadenas fotovoltaicas con fallos a tierra.</li> </ul>













Escenarios de alto riesgo	Medidas recomendadas
 <p><b>Riesgo de quemaduras químicas por electrolitos o gases tóxicos</b></p>	<p>Durante el funcionamiento normal, no se producirían fugas de electrolito de la batería ni se formarían gases tóxicos. A pesar de una construcción cuidadosa, si la batería se daña o se produce un fallo, es posible que se produzcan fugas de electrolito o que se formen gases tóxicos.</p> <ul style="list-style-type: none"> <li>• Guarda la batería en un lugar fresco y seco.</li> <li>• No dejes caer la batería ni la dañes con objetos punzantes.</li> <li>• Coloca la batería solo sobre su parte posterior o inferior.</li> <li>• No abras la batería.</li> <li>• No instales ni utilices la batería en atmósferas potencialmente explosivas ni en zonas de alta humedad.</li> <li>• Si ha penetrado humedad en la batería (por ejemplo, debido a una carcasa dañada), no instales ni enciendas la batería.</li> <li>• En caso de contacto con el electrolito, se deben enjuagar con agua las zonas afectadas y consultar a un médico de inmediato.</li> </ul>

Escenarios de precaución	Medidas recomendadas
 <p><b>Riesgo de quemaduras por disipador y carcasa calientes</b></p>	<p>La carcasa y la cubierta del inversor pueden calentarse durante el funcionamiento. Durante el funcionamiento, no toques nada que no sea la cubierta del inversor.</p>
 <p><b>Daños en el inversor por descarga electrostática</b></p>	<ul style="list-style-type: none"> <li>• Tocar los componentes electrónicos puede dañar o destruir el inversor y la batería por descarga electrostática.</li> <li>• Conéctate a tierra antes de tocar cualquier componente.</li> </ul>
 <p><b>Daños debidos a productos de limpieza</b></p>	<ul style="list-style-type: none"> <li>• El uso de productos de limpieza puede dañar el sistema de almacenamiento de energía y sus componentes.</li> <li>• Limpia el sistema y todos sus componentes únicamente con un paño humedecido con agua limpia.</li> </ul>

## 2.4. Explicación de los símbolos

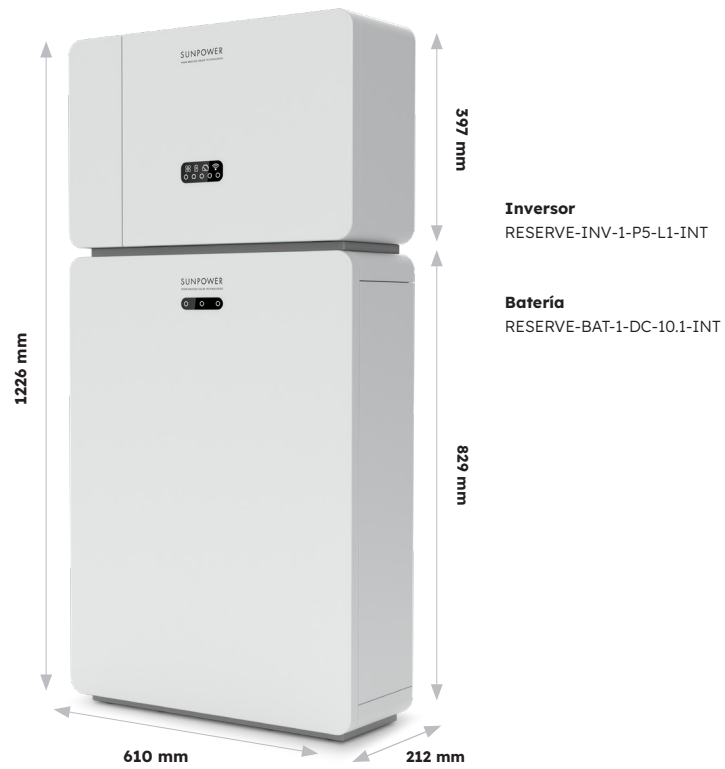
Símbolos del inversor	Explicación
	Cuidado con la zona de peligro Este símbolo indica que el inversor debe conectarse a tierra adicionalmente si se requiere una conexión a tierra o equipotencial adicional en el lugar de instalación.
	Cuidado con la tensión eléctrica El producto funciona a altas tensiones.
	Cuidado con la superficie caliente El producto puede calentarse durante el funcionamiento.
	Peligro de muerte debido a altas tensiones en el inversor; procura un tiempo de espera de 5 minutos. Antes de realizar cualquier trabajo en el inversor, desconéctalo de todas las fuentes de tensión tal y como se describe en este documento.
	Designación RAEE No elimines el producto junto con la basura doméstica, sino de acuerdo con las normas de eliminación de residuos electrónicos aplicables en el lugar de instalación.
	Procura cumplir con la documentación
	Marcado CE El producto cumple los requisitos de las directivas aplicables de la UE.
	Seguridad certificada El producto ha superado las pruebas TÜV y cumple los requisitos de la Ley de seguridad de equipos y productos de la UE.
	MCR (Marca de conformidad reglamentaria) El producto cumple los requisitos de las normas australianas aplicables.
	Marcado UKCA El producto cumple la normativa de las leyes aplicables de Inglaterra, Gales y Escocia.
	Etiquetado RoHS El producto cumple los requisitos de las directivas aplicables de la UE.



Símbolos de la batería	Explicación
	Cuidado con la zona de peligro Este símbolo indica que el grupo de baterías debe conectarse a tierra adicionalmente si se requiere una conexión a tierra o equipotencial adicional en el lugar de instalación.
	Riesgo de quemaduras químicas
	Riesgo de explosión
	Procura cumplir con la documentación
	Riesgo de fuga de electrolitos
	Marcado CE El producto cumple los requisitos de las directivas aplicables de la UE.
	Consulta las instrucciones de funcionamiento
	Utilizar protección ocular
	Prohibido encender fuego, fuego abierto y fumar
	Instala el producto fuera del alcance de los niños
 Li-Ion	No elimines la batería junto con la basura doméstica, sino de acuerdo con la normativa local aplicable para la eliminación de baterías
	Código de reciclaje
<b>UN38.3</b>	Marcado para el transporte de mercancías peligrosas El producto cumple con las certificaciones de la UN38.3

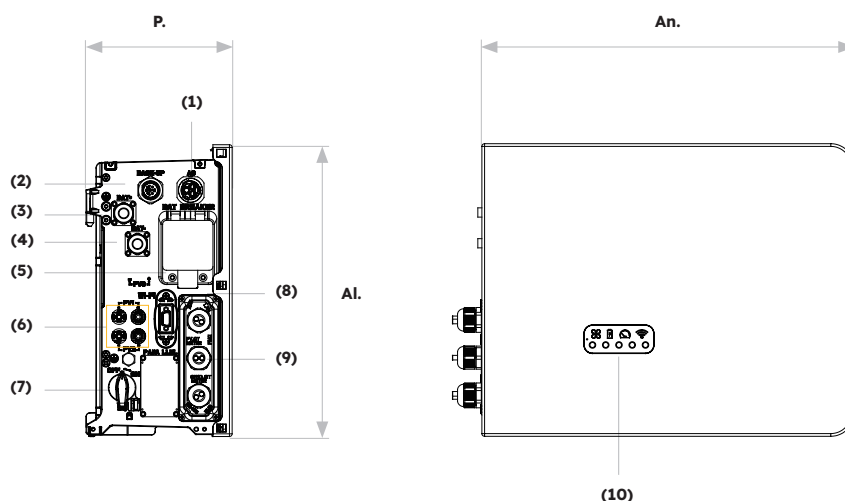
## 3.0 Presentación del producto y escenarios de aplicación

### 3.1. Introducción al sistema



## 3.2. Descripción del inversor

### 3.2.1. Introducción a la interfaz eléctrica del inversor



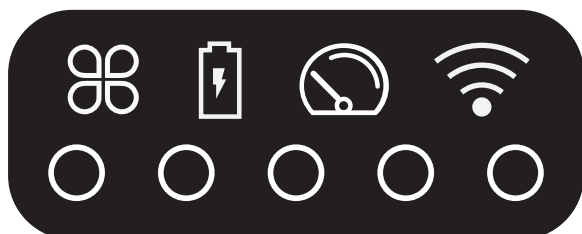
Posición	Descripción
1	Conector de red
2	Conector de respaldo
3	Conector de alimentación positivo de la batería
4	Conector de alimentación negativo de la batería
5	Disyuntor de la batería* del inversor
6	Conectores FV positivo y negativo, PV1/PV2
7	Interruptor FV*
8	Puerto Wi-Fi
9	Comunicación (Puertos CAN/RS485, BMS, LAN, Medidor/Red-TC, DRM**, FV-TC, AUX)
10	LED inversor

\* Todos los disyuntores e interruptores del inversor están desconectados cuando se envía.

\*\* El DRM es solo para regiones con normativa de seguridad AS/NZS 4777.2.

### 3.2.2. Interfaz del inversor

En el panel de visualización del inversor hay nueve indicadores LED.






#### Indicadores LED superiores

Los cuatro LED del sistema proporcionan información sobre el estado y el funcionamiento del sistema

#### Indicadores LED inferiores

Se utilizan cinco LED para indicar el estado de carga de la(s) batería(s) en funcionamiento normal

Sin embargo, cuando el sistema experimenta un fallo, la combinación de los LED superior e inferior se utiliza para mostrar los códigos de error, tales como:


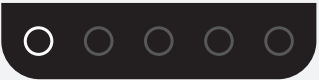




Estado normal	Descripción	Estado anormal	Descripción
 <b>SISTEMA</b>	<b>Luz blanca</b> El sistema funciona con normalidad	 <b>SISTEMA</b>	<b>Luz roja</b> El sistema está averiado
 <b>MEDIDOR</b>	<b>Luz blanca</b> La comunicación con el medidor funciona con normalidad	 <b>MEDIDOR</b>	<b>Sin luz</b> Medidor perdido
 <b>BATERÍA</b>	<b>Luz blanca</b> La batería funciona con normalidad	 <b>BATERÍA</b>	<b>Sin luz</b> La batería no funciona como corresponde
 <b>COMUNICACIONES</b>	<b>Luz blanca</b> Servidor conectado	 <b>COMUNICACIONES</b>	<b>Sin luz</b> Servidor desconectado

Las luces del inversor también funcionarán de forma diferente durante el proceso de descarga y actualización del software:

Luz	Durante el proceso de descarga y actualización del software
Pantalla luminosa del inversor	Mientras el inversor está descargando el archivo para actualizar su firmware, los 5 LED inferiores fluirán de ambos lados hacia el centro. Cuando el proceso de descarga se haya completado y comience el proceso de actualización, los 5 LED inferiores fluirán desde el centro hacia los dos lados.
Indicador luminoso de batería	El número de luces de izquierda a derecha es 1-3. Durante la actualización, la luz blanca n.º 3 parpadea rápidamente, mientras que los otros dos LED están apagados.

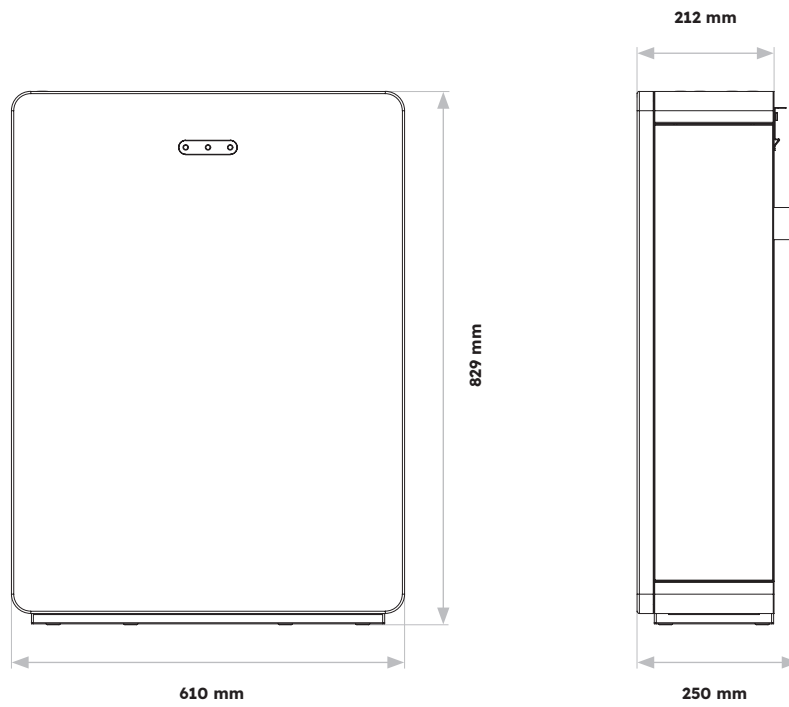
Los indicadores LED inferiores de la cubierta frontal del inversor proporcionan información sobre el estado de carga (SOC). Si todas las baterías funcionan normalmente, se mostrarán en blanco fijo o apagadas.

Durante los distintos estados de carga, se encenderán las luces:

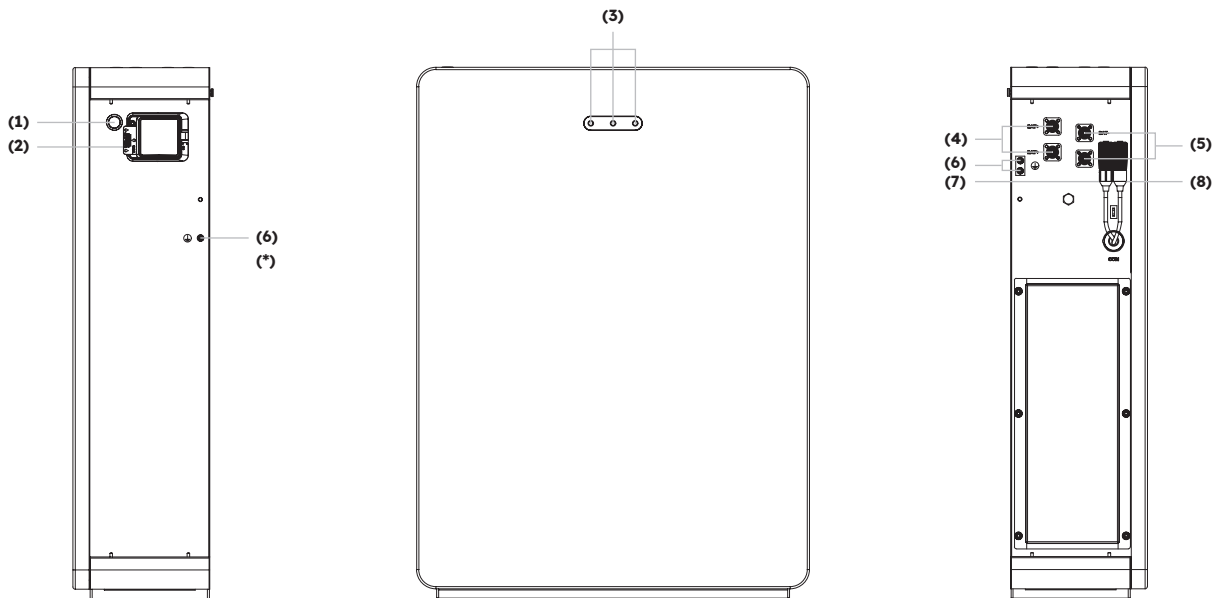
Estado de carga (SoC)	Descripción
	$SOC \leq 5,2 \%$
	$5,2 \% < SOC \leq 9,5 \%$
	$9,5 \% < SOC \leq 25,2 \%$
	$25,2 \% < SOC \leq 50 \%$
	$50 \% < SOC \leq 75,2 \%$
	$75,2 \% \leq SOC \leq 100 \%$

### 3.3 Descripción de la batería

Aspecto y dimensiones de la batería:



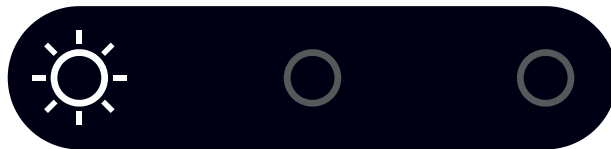
Vista general del área de conexión:



Posición	Descripción
1	Botón de encendido de la batería
2	Disyuntor de la batería
3	Indicador LED de la batería
4	Conector de alimentación positivo de la batería
5	Conector de alimentación negativo de la batería
6	Terminal de tierra
7	BMS COM (1)
8	BMS COM (2) (con resistencia terminal)

### Indicador LED de la batería

Los tres indicadores LED de la tapa frontal de la batería proporcionan información sobre el estado operativo del SOC de la batería individual con luces que se muestran en blanco fijo o parpadeando:



Estado de carga (SoC)	Descripción
	SOC ≤ 10 %
	10 % < SOC ≤ 30 %
	30 % < SOC ≤ 50 %
	50 % < SOC ≤ 60 %
	60 % < SOC ≤ 90 %
	90 % < SOC ≤ 100 %

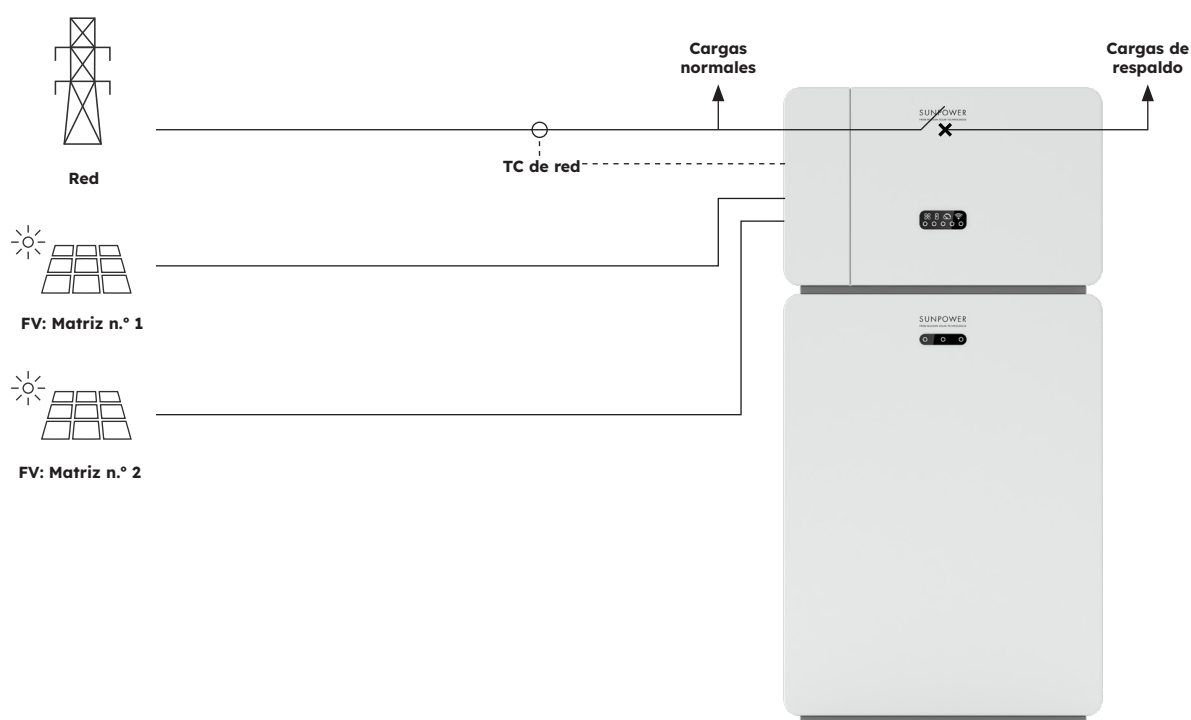
### 3.4 Escenarios de aplicación

El sistema SunPower Reserve es un sistema de almacenamiento flexible que puede aplicarse en todos los escenarios siguientes:

Aplicación	Descripción	Ventajas
<b>CC</b>	Primera instalación de matriz FV El inversor híbrido funcionará tanto con energía solar como con batería	No necesita inversor adicional
<b>CA</b>	Se ha instalado previamente una matriz FV o la matriz utiliza microinversores. El sistema se compondrá de inversores exclusivos para la energía solar y la batería	<ul style="list-style-type: none"> <li>Las cargas pueden extraerse simultáneamente de la batería y del sistema FV</li> <li>El sistema de baterías puede reequiparse</li> </ul>
<b>Híbrido</b>	Anteriormente, se había instalado una matriz FV y se ha añadido una nueva matriz FV como sistema independiente	<ul style="list-style-type: none"> <li>Puede acoplarse a cualquier sistema FV existente</li> <li>Aumenta el tamaño y el control del sistema sin alterar el sistema FV original</li> </ul>

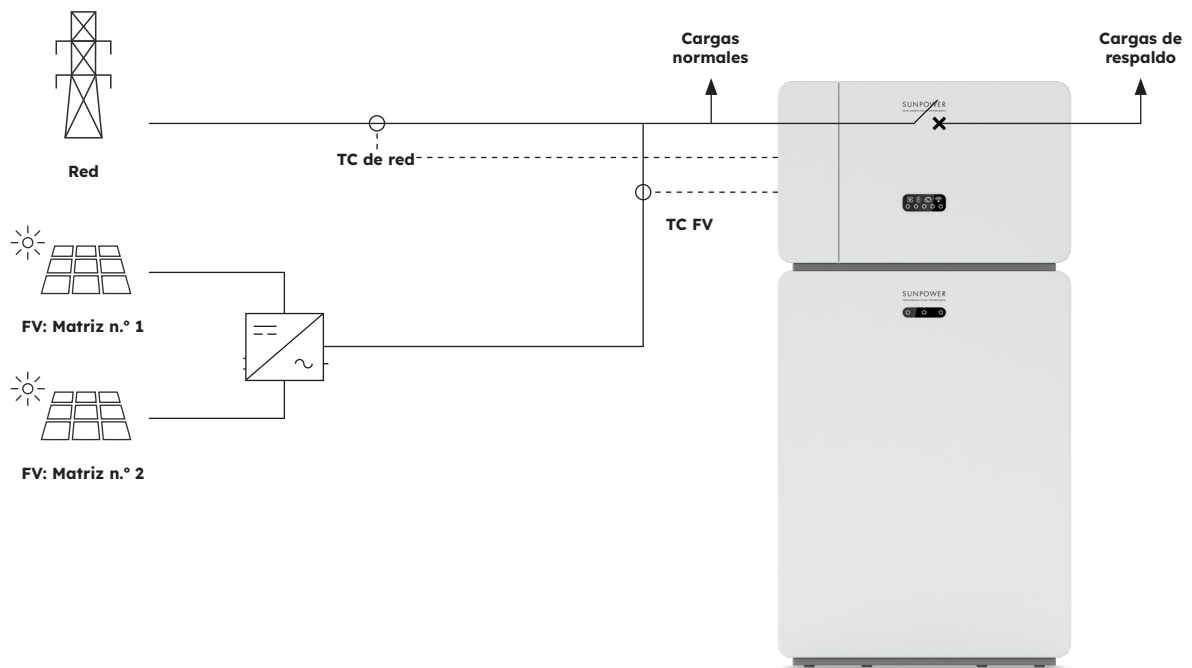
Un ejemplo de cada uno de estos escenarios:

#### 3.4.1. Sistema de almacenamiento acoplado a CC

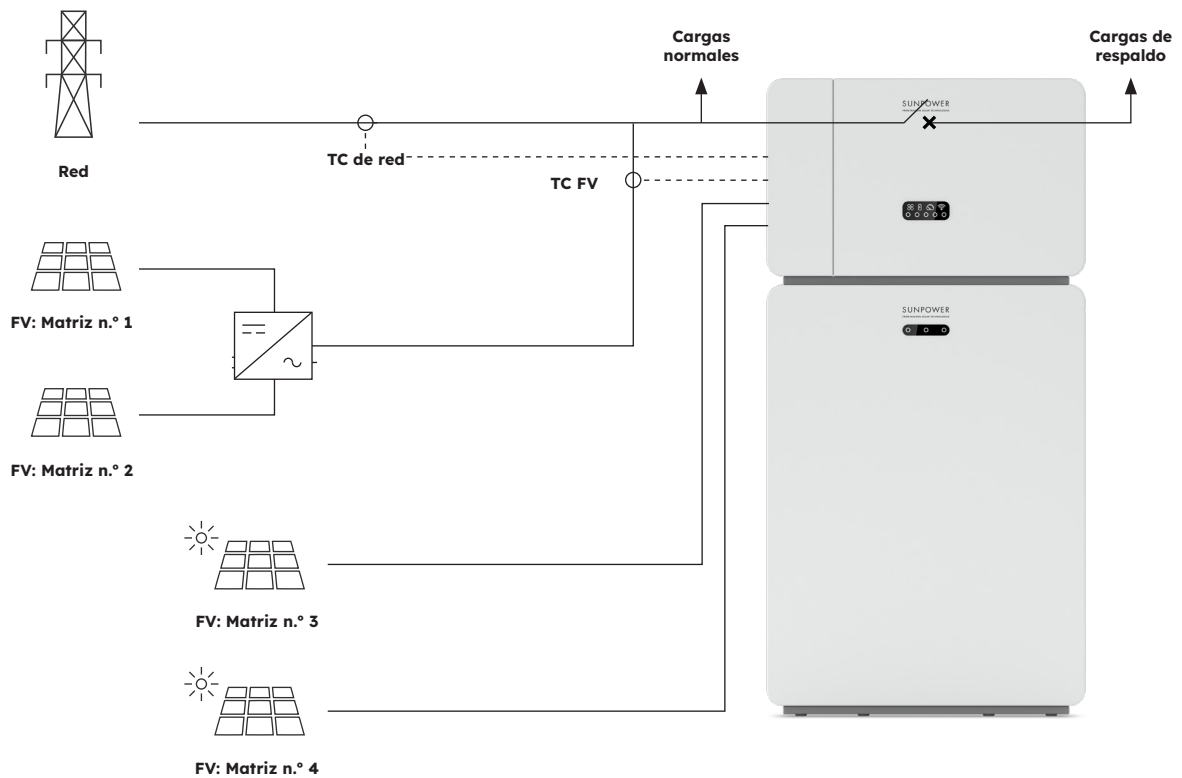




### 3.4.2. Sistema de almacenamiento acoplado a CA



### 3.4.3. Sistema de almacenamiento acoplado híbrido



## 4.0 Almacenamiento y transporte

### 4.1. Almacenamiento

Si el inversor no se usa directamente, deben cumplirse los siguientes requisitos:

Producto(s)	Instrucciones de almacenamiento
<b>Inversor:</b> <b>RESERVE-INV-1-P5-L1-INT</b>	<ol style="list-style-type: none"><li>1. No desembales el inversor.</li><li>2. Mantén la temperatura de almacenamiento a -40 °C / +70 °C y la humedad a 5 % / 95 % HR.</li><li>3. El inversor debe almacenarse en un lugar limpio y seco y protegerse del polvo y de la corrosión por vapor de agua.</li><li>4. Se puede apilar un máximo de cinco inversores. Para evitar lesiones personales o daños en el aparato, apila los inversores con precaución para evitar que se caigan.</li><li>5. Durante el periodo de almacenamiento, comprueba el inversor periódicamente. Sustituye de manera oportuna el material de embalaje dañado por insectos o roedores.</li><li>6. Si los inversores han estado almacenados durante más de dos años, deben ser revisados y probados por profesionales antes de ponerlos en funcionamiento.</li></ol>
<b>Batería:</b> <b>RESERVE-BAT-1-DC-10.1-INT</b>	<ol style="list-style-type: none"><li>1. Ubica las baterías según las indicaciones de la caja de embalaje durante el almacenamiento. No coloques las baterías boca abajo o de lado.</li><li>2. Apila las cajas de embalaje de las baterías cumpliendo los requisitos de apilamiento del embalaje externo.</li><li>3. Mantén la batería fuera del alcance de los niños y los animales.</li><li>4. Guarda la batería en un lugar donde el polvo y la suciedad sean mínimos.</li><li>5. Manipula las baterías con precaución para evitar daños.</li><li>6. Los requisitos del entorno de almacenamiento son los siguientes:<ol style="list-style-type: none"><li>a. Temperatura ambiente: -10 °C / +55 °C, temperatura de almacenamiento recomendada: 15 °C / 30 °C</li><li>b. Humedad relativa: 15 % - 85 %</li><li>c. Coloca las baterías en un lugar seco y limpio con ventilación adecuada.</li><li>d. Coloca las baterías en un lugar alejado de solventes y gases orgánicos corrosivos.</li><li>e. Mantén las baterías alejadas de la luz solar directa.</li><li>f. Mantén las baterías a una distancia mínima de 2 m de fuentes de calor.</li></ol></li><li>7. Las baterías almacenadas deben estar desconectadas de dispositivos externos. Los indicadores (si los hay) de las baterías deben estar apagados.</li></ol>

8. Las baterías deben entregarse según la regla “primera en entrar, primera en salir”.
9. El responsable del almacén debe recopilar información sobre el almacenamiento de baterías todos los meses y comunicar periódicamente la información sobre el inventario de baterías al departamento de planificación. Las baterías que han estado almacenadas durante casi 6 meses deben recargarse.
10. Si una batería de litio se almacena durante mucho tiempo, puede producirse una pérdida de capacidad. Después de almacenar una batería de litio durante 12 meses a la temperatura de almacenamiento recomendada, la tasa de pérdida de capacidad irreversible es del 3 % / 10 %. Se recomienda no almacenar las baterías durante mucho tiempo. Si las baterías deben almacenarse durante más de 6 meses, se recomienda recargarlas al 65 % / 75 % del SOC

## 4.2. Transporte

Durante el transporte, sigue estas pautas:

1. Utiliza el embalaje original para el transporte.
2. Manipula con cuidado, elige el método de manejo correspondiente de acuerdo con el peso y presta atención a la seguridad.
3. Durante el transporte, evita daños mecánicos y mantenlo seco.
4. Asegura el embalaje durante el transporte para evitar daños.
5. Respeta la normativa local sobre elevación de objetos pesados y riesgos de seguridad.

## 5.0 Montaje

### 5.1. Comprobación del embalaje exterior

Antes de desembalar el producto, comprueba si el embalaje exterior presenta daños, como agujeros o grietas. Si detectas algún daño, no desembales el producto y ponte en contacto con tu proveedor lo antes posible.


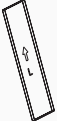
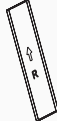
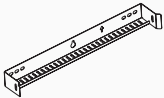




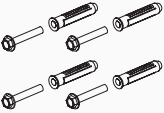


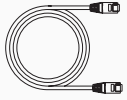


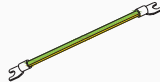
### 5.2. Contenido del paquete de entrega

Comprueba que el contenido esté completo y que no presente daños visibles desde el exterior. Ponte en contacto con tu proveedor si la entrega está incompleta o dañada

### 5.3. Incluido en la caja

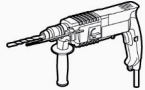


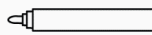
Comprueba los componentes incluidos con el inversor y la batería de la lista siguiente.

Inversor (RESERVE-INV-1-P5-L1-INT)				
RESERVE-INV-1-P5-L1-INT (x1)	Placa decorativa superior (x1)	Cubierta de cables (x1)	Base del inversor (x1)	Par de conectores FV MC4 (X2)
Módulo Wi-Fi (x1)	Conector de red (x1)	Conector de RESPALDO (x1)	Conector AUX (x1)	TC de red (x1)
TC FV (x1)	Cable TC de red (x1)	Cable TC FV (x1)	Cable de alimentación positivo de la batería (x1)	Cable de alimentación negativo de la batería (x1)
Cable de comunicación de la batería (x1)	Tornillo M4*10 (x2)	Tornillo M5*12 (x8)	Guía rápida de instalación del inversor	Cable de tierra

<b>BATERÍA (RESERVE-BAT-1-DC-10.1-INT)</b>				
				
Grupo de baterías (x1)	Placa lateral izquierda (x1)	Placa lateral derecha (x1)	Soporte de pared (x1)	M5 x 12 (X3)
				
Soporte límite (x2)	Tornillos de fijación de plástico (M5-L8) (x12)	Bloqueo de plástico (x4)	Anclaje de pared y tornillos de expansión (x4)	Bloques de terminales tipo Y (x2)
				
Guía de instalación rápida de la batería (x1)	Cable de comunicación de la batería de expansión (x1)	Cable de alimentación positivo para batería adicional (x1)	Cable de alimentación negativo para batería adicional (x1)	Cable de tierra (x1)

## 5.4. Preparación de herramientas e instrumentos

Asegúrate de que dispones del siguiente equipo y material de seguridad antes de instalar la unidad:

Herramientas e instrumentos y equipos de protección individual				
				
Taladro percutor (Con una broca de $\varnothing 10$ mm)	Llave dinamométrica M10	Multímetro (rango de tensión continua 0-1000 V CC)	Alicates diagonales	Pelacables
				
Destornillador PH2 (diámetro de rosca: 0-5 Nm)	Mazo de goma	Cúter	Cortacables	Herramienta de engazar
				
Crimpadora para terminales	Herramienta de desmontaje y montaje del conector FV	Aspiradora	Tubo termorretráctil	Pistola de calor
				
Marcador	Cinta métrica	Nivel de burbuja o digital	Mascarilla para polvo	Calzado de seguridad
				
Guantes de seguridad	Gafas de protección			

## 5.5. Requisitos de montaje



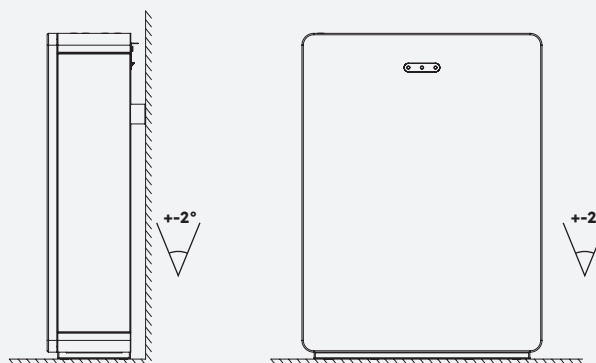
Los dispositivos eléctricos están diseñados con mucho cuidado, pero aún así pueden provocar incendios.

- No montes el sistema de almacenamiento de energía en zonas que contengan materiales o gases altamente inflamables.
- No montes el sistema en atmósferas potencialmente explosivas.

Tipo	Requisitos
<b>Básico</b>	<ul style="list-style-type: none"><li>• El sistema SunPower Reserve es apto para su uso en interiores y exteriores.</li><li>• No instales el inversor en un lugar donde una persona pueda tocarlo con facilidad, ya que su carcasa y su cubierta pueden calentarse mucho durante el funcionamiento.</li><li>• No montes el sistema en zonas con materiales inflamables o explosivos.</li><li>• No montes el sistema en un lugar al alcance de los niños.</li><li>• No montes el sistema al aire libre en zonas saladas porque se corroerá y podría provocar un incendio. Por zonas saladas se entiende la región situada a menos de 500 m de la costa o propensa a la brisa marina.</li></ul>
<b>Entorno de montaje</b>	<ul style="list-style-type: none"><li>• El sistema debe montarse en un entorno bien ventilado para garantizar una buena disipación del calor.</li><li>• No instales el sistema en zonas donde pueda estar expuesto a la luz solar, ya que la potencia del sistema puede disminuir debido al calor adicional.</li><li>• Instala el sistema en un lugar protegido o coloca un toldo sobre el producto.</li><li>• El rango de temperatura óptimo para la batería es de 15 °C a 30 °C y no debe estar expuesta a la luz solar.</li><li>• No expongas las baterías a fuentes de agua como bajantes o aspersores ni las coloques cerca.</li><li>• Si el grupo de baterías se instala en una zona con presencia de vehículos, asegúrate de que esté protegido mecánicamente de los vehículos.</li></ul>
<b>Estructura de montaje</b>	<ul style="list-style-type: none"><li>• La superficie de montaje detrás del sistema no debe permitir la propagación del fuego.</li><li>• Asegúrate de que el suelo de montaje es sólido y capaz de soportar el peso del sistema.</li></ul>

### Ángulo de montaje y apilado

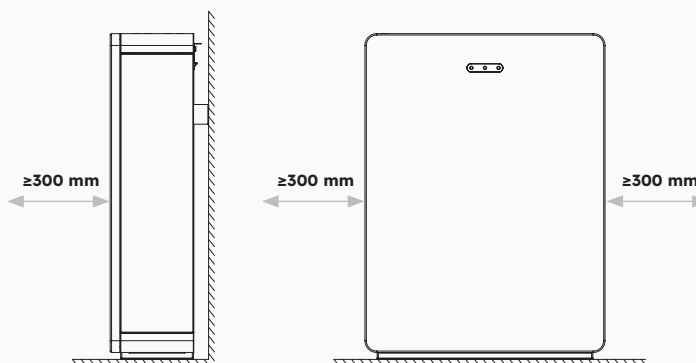
- El inversor debe instalarse sobre la batería. El requisito de ángulo de instalación es:



- No montes la batería en posición inclinada hacia delante, inclinada lateralmente, horizontal o boca abajo

### Espacio de montaje

- Procura dejar un espacio libre alrededor del producto para garantizar un espacio suficiente para la instalación, el mantenimiento y la disipación del calor.
- El espacio lateral libre es una recomendación. Mantén el espacio libre lo más corto posible si no influye en el funcionamiento y el mantenimiento.



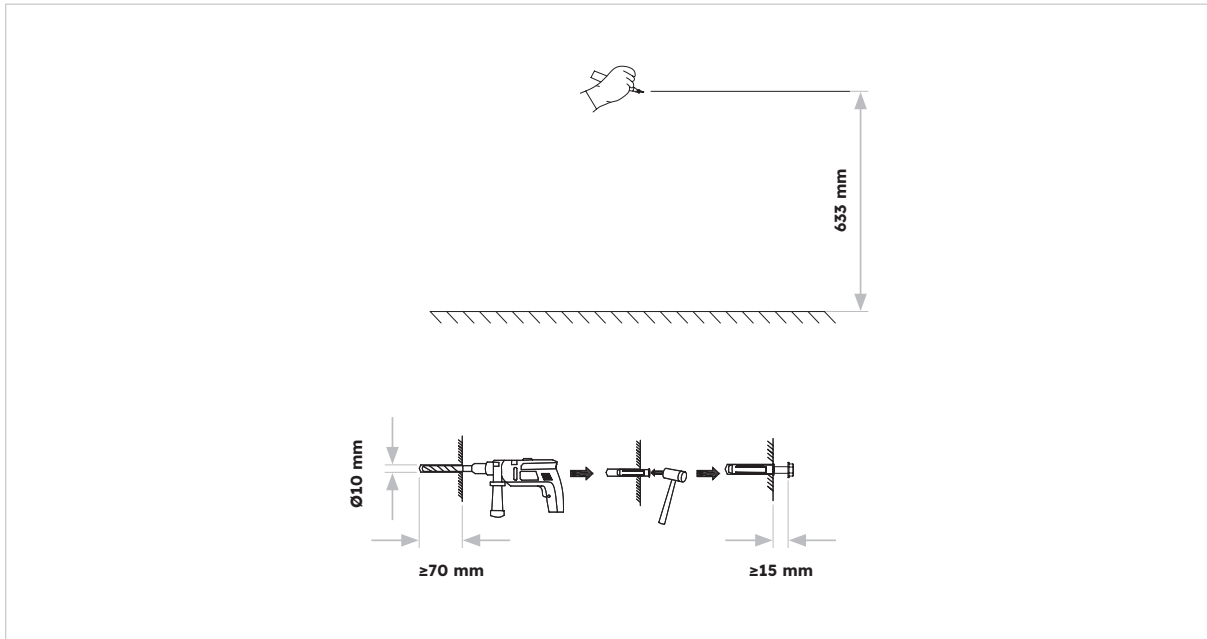


## 5.6 Montaje del sistema de almacenamiento de energía

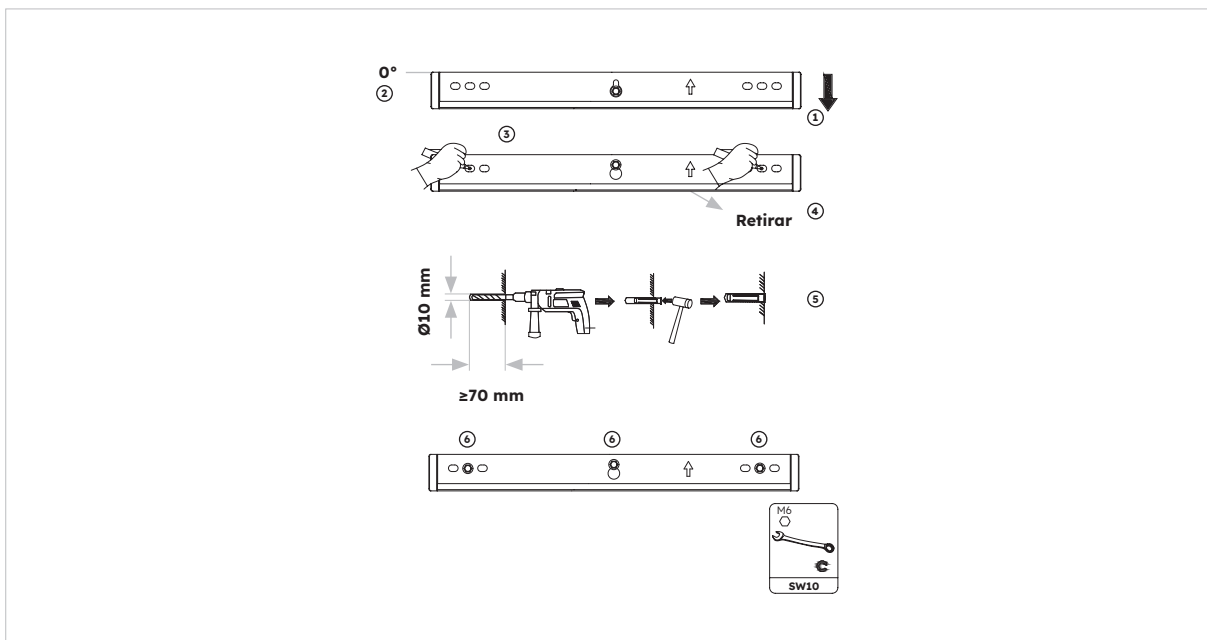
### 5.6.1. Montaje de la batería

#### Instrucciones de montaje de la batería:

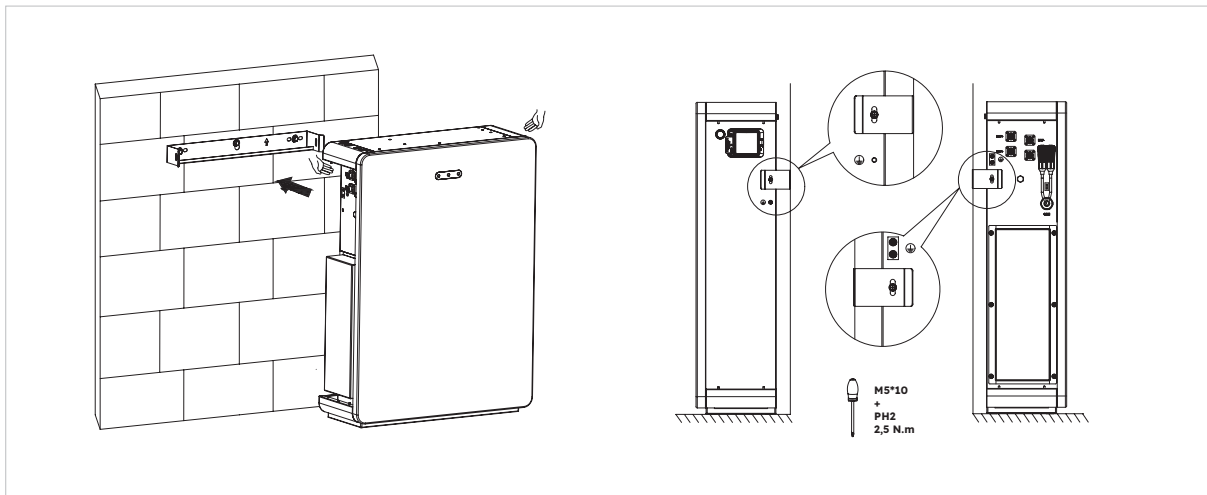
1. Sacar la batería de la caja y transportarla al lugar de instalación con una carretilla adecuada con dispositivo de sujeción.



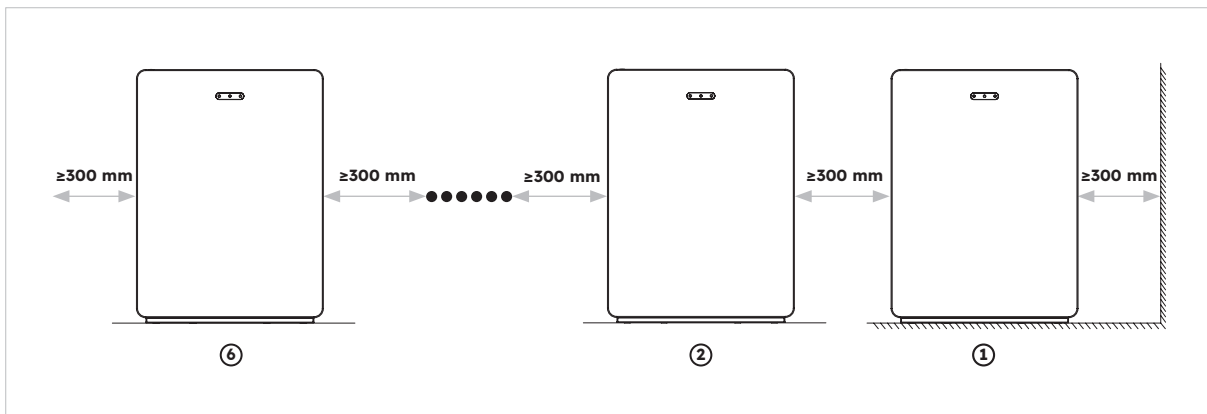
2. Marcar los agujeros y montar los paneles murales. Asegúrate de que la superficie bajo la(s) batería(s) sea sólida y esté nivelada.



3. Fija la batería en el soporte mural con dos tornillos M5\*10.



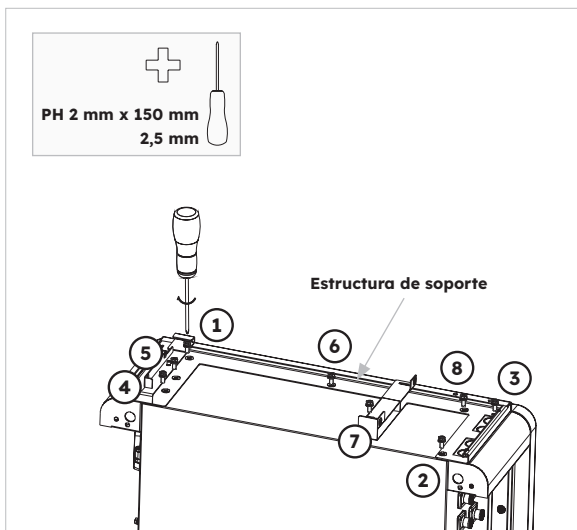
4. Para montar baterías adicionales (máx. 6 unidades), sigue los pasos anteriores:



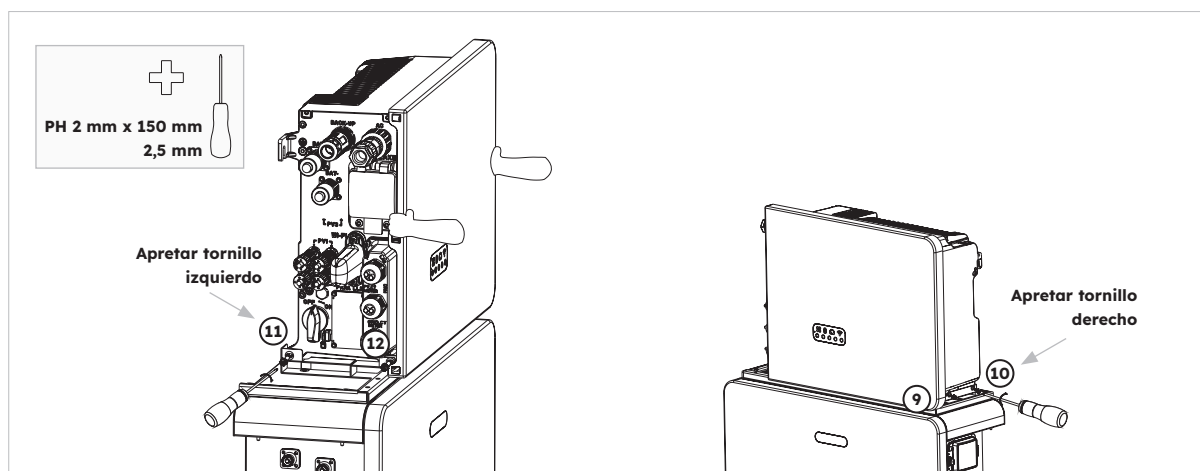
## 5.6.2. Montaje del inversor

Instrucciones de montaje del inversor:

1. Coloca la base del inversor en la parte superior de la batería y fíjala.



2. Fija el inversor a los laterales de la base y ajusta los tornillos izquierdos:



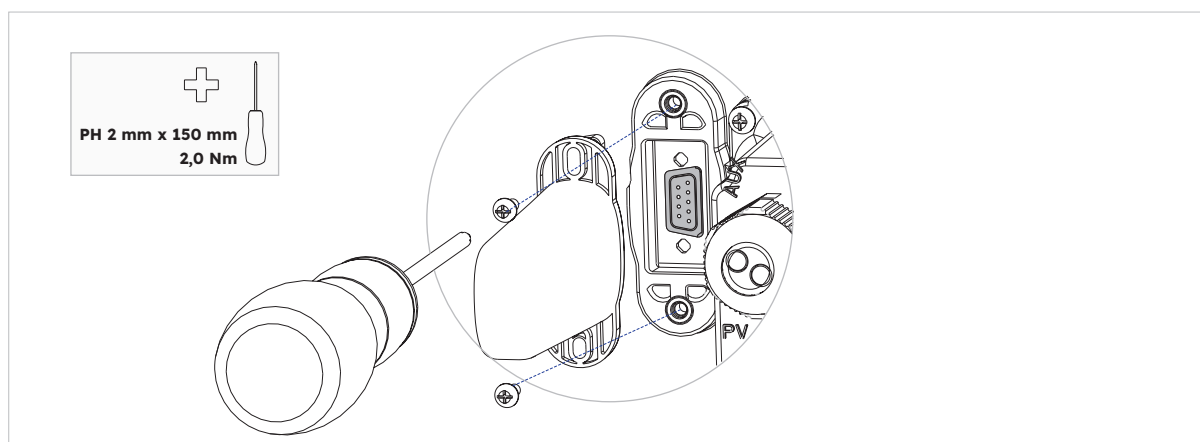
### 5.6.3. Montaje del módulo Wi-Fi

Instrucciones de montaje del inversor

1. Retira la cubierta antipolvo Wi-Fi del lado izquierdo del inversor



2. Ajusta el módulo Wi-Fi en el inversor con el tornillo M4\*10 (X2)



Nota: Es posible que prefieras instalar el dispositivo Wi-Fi a lo último para maximizar el acceso para conectar los cables eléctricos.

## 6.0 Conexión eléctrica



Los daños en el sistema de almacenamiento de energía causados por conexiones incorrectas de los cables no están cubiertos por ninguna garantía. Solo los electricistas certificados pueden conectar cables. El personal de operación debe llevar los EPI adecuados cuando conecta los cables.



Antes de conectar los cables, asegúrate de que todos los disyuntores e interruptores del sistema de almacenamiento de energía estén apagados. De lo contrario, la tensión de peligro del sistema puede provocar descargas eléctricas.



Los colores de los cables que aparecen en los diagramas de conexión eléctrica de este capítulo son solo de referencia. Selecciona los cables de acuerdo con las especificaciones locales (los cables verde y amarillo solo se utilizan para PE).

### 6.1. Requisitos de los cables para la conexión

N.º	Cable	Tipo	Área de la sección transversal del conductor	Diám. exterior	Fuente
1	Cables de alimentación de batería con inversor	Cable FV estándar del sector	16 mm <sup>2</sup>	N/D	Se entrega con el inversor
2	Cable de comunicación de la batería con el inversor	Cable de red estándar en el sector	0,12 mm - 0,20 mm <sup>2</sup>	N/D	Se entrega con el inversor
3 <sub>1</sub>	Cable de señal	Cable de red estándar en el sector	0,12 mm - 0,20 mm <sup>2</sup>	N/D	Se entrega con el inversor
4	Cable de potencia FV	Cable FV estándar del sector (tipo recomendado: PV1-F)	4 mm <sup>2</sup> - 6 mm <sup>2</sup>	5,5 mm - 9 mm	Comprado por el instalador
5 <sub>2</sub>	Cable de señal	Cable de red estándar en el sector (tipo recomendado: cable C-Bus)	0,12 mm - 0,20 mm <sup>2</sup>	4 mm - 6 mm	Comprado por el instalador
6 <sub>3</sub>	Cable de señal	Cable de par trenzado blindado de varios hilos para exteriores	0,1 mm <sup>2</sup> ~ 1,3 mm <sup>2</sup>	4 mm - 6 mm	Comprado por el instalador
7	Cable de alimentación de CA de respaldo	Cable de cobre para exterior de tres conductores (L, N y PE)	4 mm <sup>2</sup> - 6 mm <sup>2</sup>	10 mm - 14 mm	Comprado por el instalador
8	Cable de alimentación de CA para la red	Cable de cobre para exterior de tres conductores (L, N y PE)	6 mm <sup>2</sup> - 10 mm <sup>2</sup>	9 mm - 18 mm	Comprado por el instalador
9	Cable PE	Cable de cobre exterior de un hilo	4 mm <sup>2</sup> - 10 mm <sup>2</sup>	N/D	Comprado por el instalador

10	Cable de alimentación de la batería de expansión	Cable FV estándar del sector	16 mm <sup>2</sup>	N/D	Se entrega con la batería
11	Cable de comunicación de la batería de expansión	Cable de red estándar en el sector (tipo recomendado: C-Bus)	0,12 - 0,20 mm <sup>2</sup>	N/D	Se entrega con la batería

<sup>1</sup> Para conexión de comunicación del TC con inversor.

<sup>2</sup> Para la conexión de comunicación CAN/RS485, LAN, medidor, DRM con el inversor.

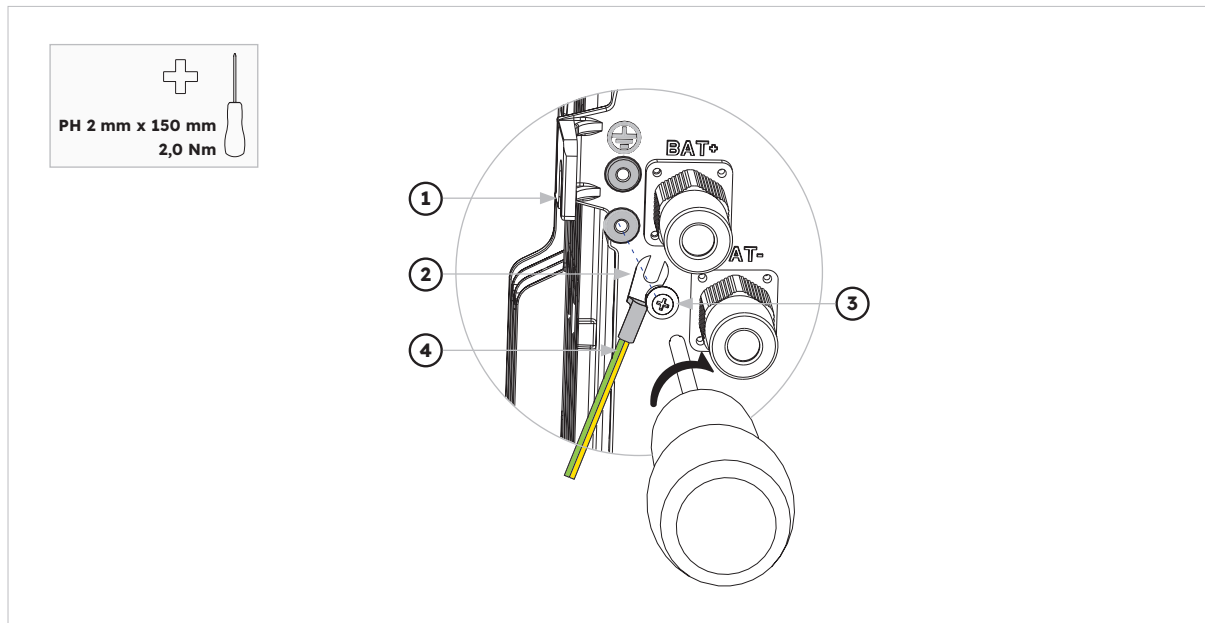
<sup>3</sup> Para conexión de comunicación AUX con inversor.

## 6.2 Conexión de una toma a tierra adicional



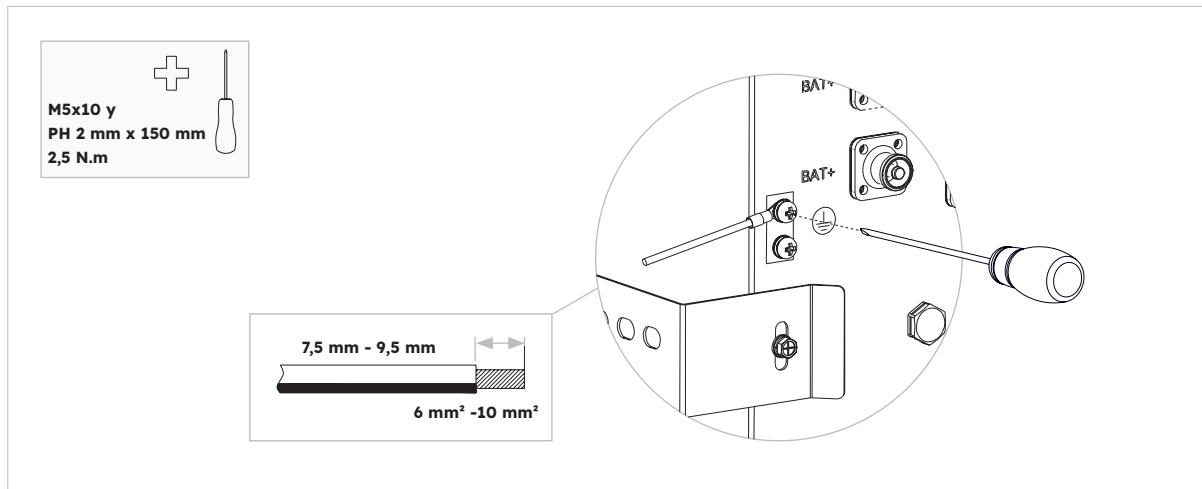
**Riesgo de descarga eléctrica:** Antes de realizar la conexión eléctrica, asegúrate de que el interruptor FV y todos los disyuntores de CA y BAT del sistema de almacenamiento de energía estén desconectados y no puedan reactivarse.

En la parte superior izquierda del inversor hay un punto de conexión a tierra externo. Prepara los terminales OT M5, pela el aislamiento del cable de tierra, inserta la parte pelada del cable de tierra en el saliente anular del terminal y ajústala con una herramienta de engarzar. Conexión a tierra adicional para el inversor:



Posición	Designación
1	Carcasa
2	Lengüeta terminal M5 con conductor de protección
3	Tornillo PH2 M5x12
4	Cable PE

Conexión a tierra para la batería:



## 6.3. Conexión CA

### 6.3.1. Requisitos para la conexión de CA



**PELIGRO**

**Monitores de corriente diferencial residual:** El inversor no necesita un interruptor diferencial externo cuando está en funcionamiento. Si las normativas locales exigen el uso de un interruptor diferencial o un sistema de almacenamiento acoplado híbrido con gran capacidad de acoplamiento de la matriz FV y el inversor FV, se debe tener en cuenta lo siguiente: El inversor es compatible con interruptores diferenciales de tipo A con una corriente residual nominal de 100 mA o superior. Cada inversor de la instalación debe conectarse a la red pública a través de un interruptor diferencial independiente.



**PELIGRO**

**Dispositivos de protección:** Debes proteger cada inversor con un disyuntor de red/respaldo individual para garantizar que el inversor pueda desconectarse de forma segura.

Los requisitos del cable de CA son los siguientes:

- Tipo de conductor: hilo de cobre
- Diámetro exterior: de 9 mm a 18 mm para el conector de red, de 10 mm a 14 mm para el conector de respaldo
- Recomendación del área de la sección transversal del conductor: 10 mm<sup>2</sup> para conexión a la red, 6 mm<sup>2</sup> para conexión de respaldo
- Longitud de pelado del aislamiento: 10 mm
- Longitud de pelado de la envoltura: 50 mm

### 6.3.2. Selección del disyuntor de CA adecuado



#### PELIGRO

La especificación máxima admisible del disyuntor de red es **50 A** cuando la sección transversal del conductor de cobre para la conexión a la red es de **10 mm<sup>2</sup>**; **en función de la ampacidad del cable, deben tenerse en cuenta otros factores que influyen en su dimensionamiento.**

Debes utilizar la APP (SunPower One app) o la plataforma del instalador (panel de instalación SunPower One) para seleccionar el ajuste correcto si la especificación del disyuntor de red es de 32 A o 40 A, de lo contrario aumenta el peligro de disparo del disyuntor en condiciones normales de funcionamiento.



#### PELIGRO

La especificación máxima admisible del disyuntor de red es **40 A** cuando la sección transversal del conductor de cobre para la conexión a la red debe ser de **6 mm<sup>2</sup> (en algunos países se pide 8 mm<sup>2</sup>)**; **en función de la ampacidad del cable, deben tenerse en cuenta otros factores que influyen en su dimensionamiento.** Debes utilizar la APP (SunPower One app) o la plataforma del instalador (panel de instalación SunPower One) para seleccionar el ajuste correcto si la especificación del disyuntor de red es de 32 A o 40 A, de lo contrario aumenta el peligro de disparo del disyuntor en condiciones normales de funcionamiento.

Los requisitos generales para la selección de disyuntores vienen determinados por las normas y disposiciones específicas de cada país. A continuación, se enumeran los factores de influencia de aplicación general que deben tenerse en cuenta a la hora de seleccionar un disyuntor adecuado:

- Factores que influyen en la ampacidad del cable: tipo de cable utilizado, temperatura ambiente alrededor del cable, tipo de tendido del cable, agrupación de cables.
- Otros factores que influyen en el dimensionamiento: impedancia de bucle, calentamiento mutuo de los disyuntores, temperatura ambiente en el disyuntor, selectividad, tipo de dispositivo conectado.

Si se ignoran estos factores, aumenta el peligro de que el disyuntor se dispare en condiciones normales de funcionamiento.

Descripción	Máx. Actual	Tamaño del disyuntor para RESERVE-INV-1-P5-L1-INT
Lado de la red	43,5 A	32/40/50 A
Lado de respaldo	21,7 A	32 A

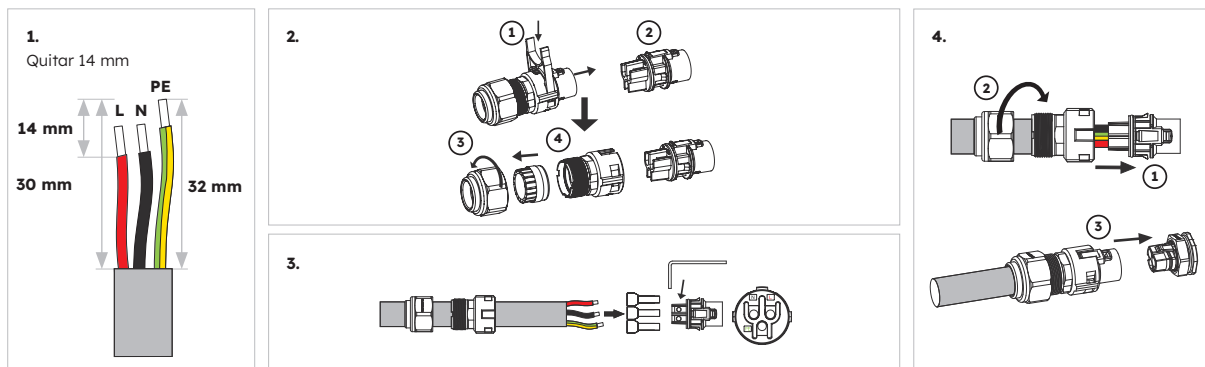
### 6.3.3. Conexión a la red y de respaldo

#### Instrucciones para los conectores de red y de respaldo:

1. Desconecta los disyuntores y asegúrate de que no vuelvan a conectarse.
2. Desmonta el cable de CA de 50 mm.
3. Acorta L y N en 2 mm cada uno, de modo que el conductor a tierra sea 2 mm más largo. De este modo se garantiza que el conductor a tierra sea el último en ser extraído del terminal de tornillo en caso de esfuerzo de tracción.

4. Pela el aislamiento de L, N y el conductor a tierra 10 mm.
5. En el caso de los hilos finos trenzados, L, N y PE deben ir provistos de terminales.
6. Desmonta el conector de CA y conecta los conductores al conector de CA.
7. Asegúrate de que todos los conductores estén bien conectados al conector de CA y monta el conector de CA.
8. Conecta el conector de red a la toma para la conexión a la red. Al hacerlo, alinea el conector de red de modo que la chaveta de la toma de red del inversor se inserte en la ranura de la inserción del casquillo del conector de red.
9. Para la conexión de respaldo, enchufa el conector de respaldo en la toma de respaldo del inversor y ajústalo firmemente en el sentido de las agujas del reloj.

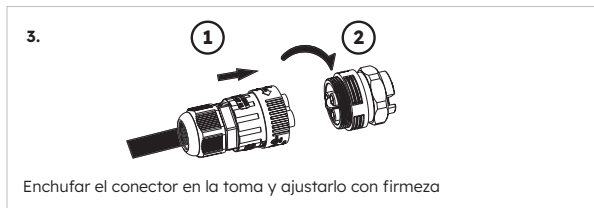
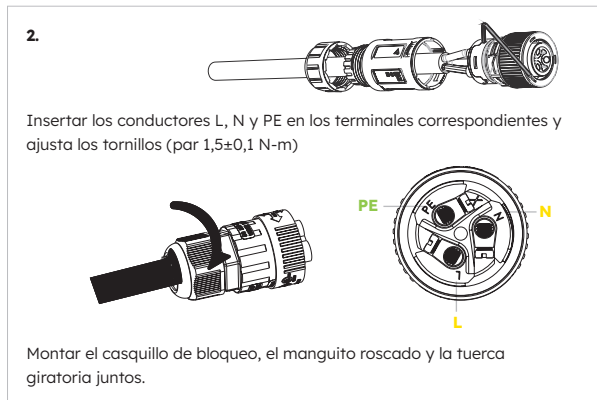
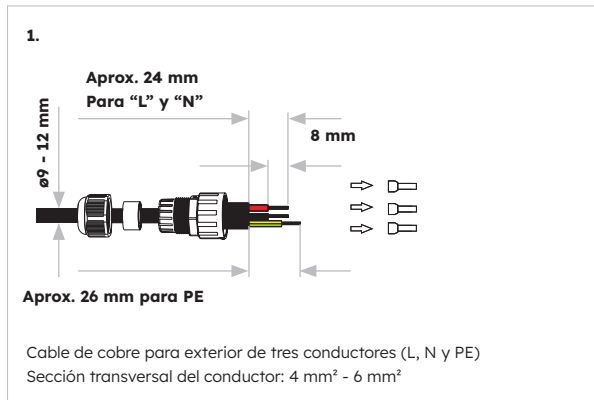
**Para conectar el conector de red:**



Asegúrate de que el conector se haya instalado correctamente.



## Para conectar el conector de respaldo:



Asegúrate de que el conector se haya instalado correctamente.



En las instalaciones de Australia y Nueva Zelanda, el neutro se conmuta internamente entre los puertos de red y de respaldo del inversor. El puerto de respaldo neutral debe estar conectado a la barra neutral del sitio.

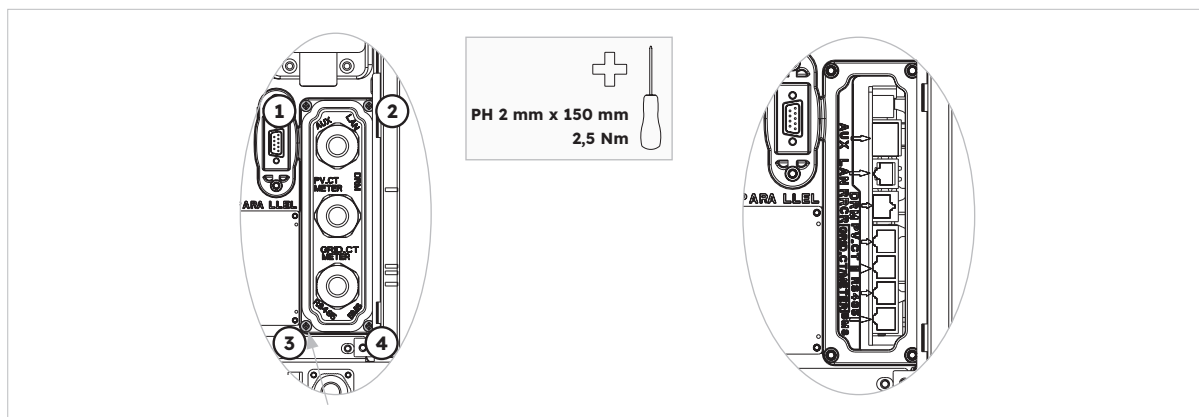
## 6.3.4. Clasificación TC

Artículo	Actual	Escenarios
TC	100 A	TC

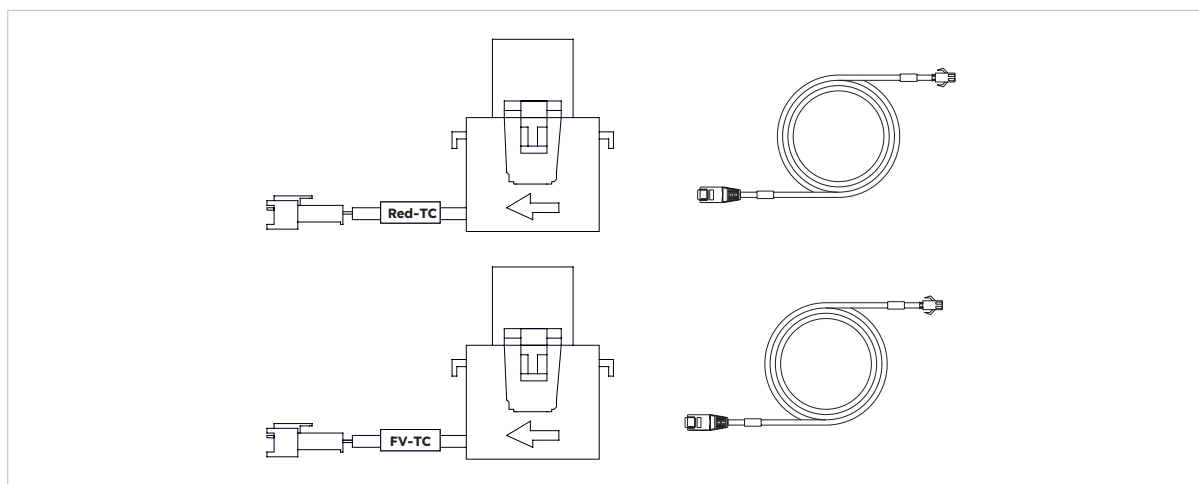
## 6.3.5. Conexión del TC

### Instrucciones de conexión del TC:

1. Afloja las tuercas giratorias de los prensaestopas de la cubierta de conexión COM del inversor y desatornilla los 4 tornillos de las esquinas; a continuación, verás los puertos de comunicación del TC de red, el TC FV y el medidor. Mantén los tornillos en la tapa.



2. Localiza el TC de red y el TC FV incluidos.

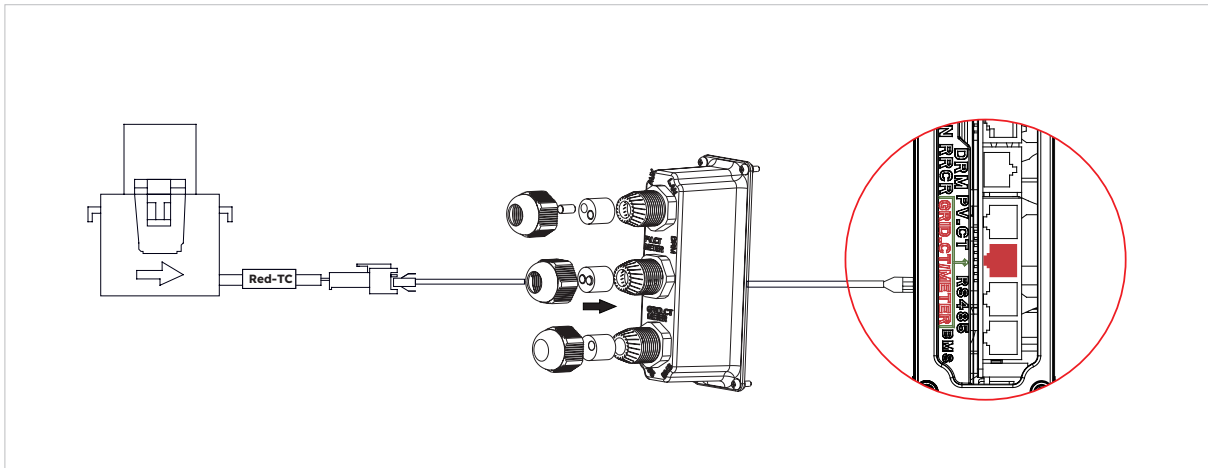


3. Pasa el cable del TC por el prensaestopas de la tapa de conexión COM sin ajustar las tuercas giratorias de los prensaestopas.
4. Inserta los conectores RJ45 en las tomas RJ45 correspondientes.
5. Presiona el cierre magnético del TC de red en el cable vivo de servicio de la casa. La flecha del cierre magnético del TC de red debe apuntar al puerto de red del inversor.
6. Para aplicación del sistema de almacenamiento híbrido o acoplado a CA, presiona el cierre magnético del TC FV en el cable bajo tensión del inversor FV instalado. La flecha del cierre magnético del TC FV debe apuntar a la red eléctrica.
7. Conecta los cables del TC al TC de red y al TC FV respectivamente.

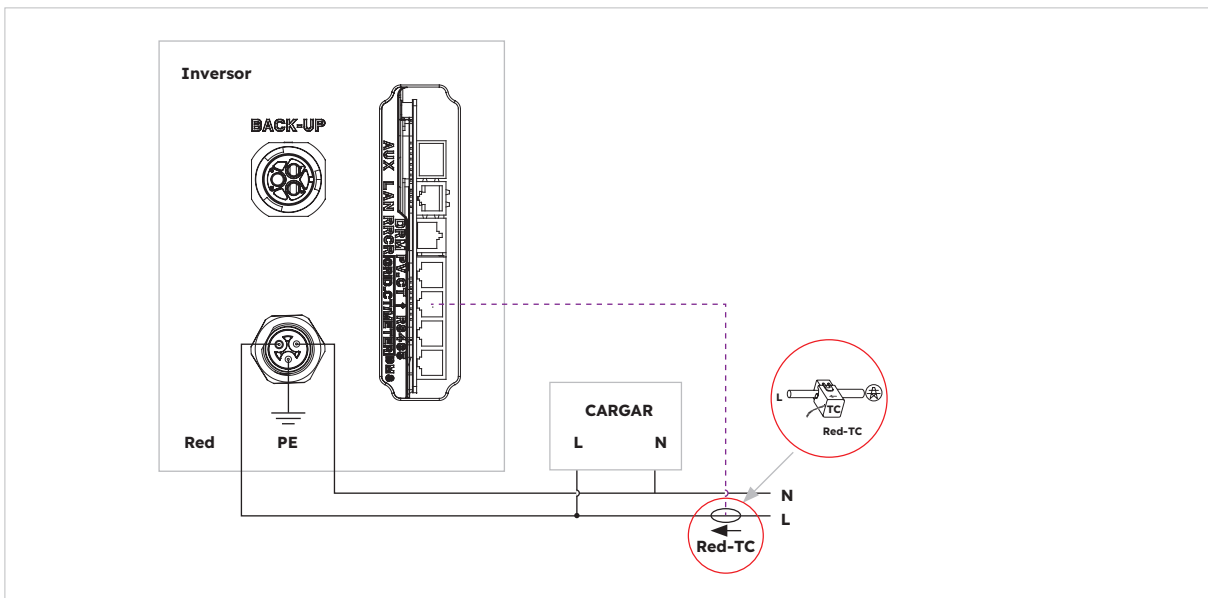


### CONSEJO

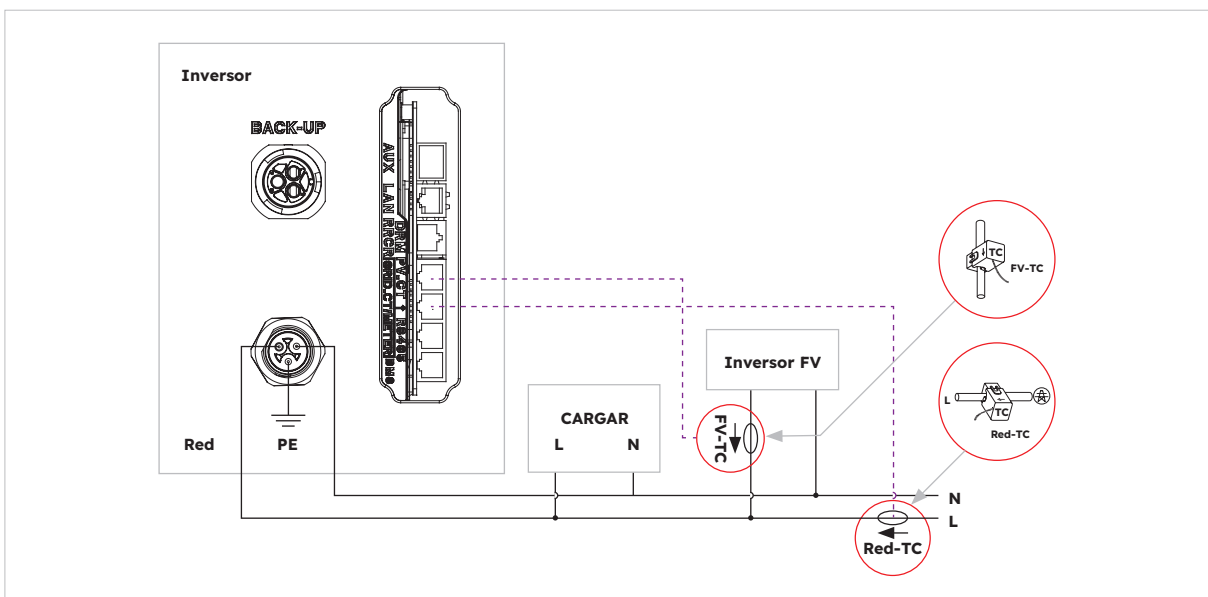
El cable del TC marcado como TC de red debe conectarse al TC de red, y el cable del TC marcado como TC FV debe conectarse al TC FV.



Colocación del TC en un sistema de almacenamiento acoplado en CC



Colocación de TC en sistemas de almacenamiento acoplados a CA e híbridos



## 6.3.6. Conexión del medidor

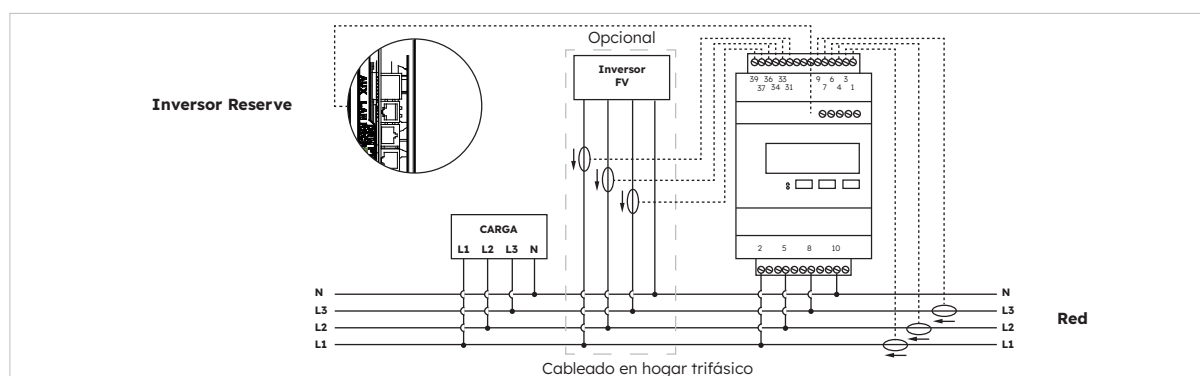
El sistema es compatible con un medidor de SunPower Reserve externo. El medidor se puede instalar en una red eléctrica monofásica, bifásica o trifásica de cuatro hilos de 220-240 V o 120 V.

Se recomienda usar un medidor de SunPower Reserve cuando el punto de medición de la red esté a más de 20 metros del Sistema SunPower Reserve. Un medidor de SunPower Reserve puede colocarse a una distancia de hasta 80 m del sistema SunPower Reserve, conectado mediante un cable RS485.

El medidor de SunPower Reserve se suministra con seis transformadores de corriente (TC) de 100 A: tres para supervisar la red y tres para supervisar un inversor fotovoltaico. El medidor tiene un programador que puede personalizarse para comunicarse con Sunpower Reserve.

La instalación de los seis TC es opcional. Por ejemplo, una instalación con una alimentación trifásica y un inversor fotovoltaico en monofásico solo necesitará cuatro TC. Se instalarían tres TC para supervisar la red y un transformador de corriente fotovoltaica (TC FV) para supervisar un inversor fotovoltaico. Para obtener más información, consulte los diagramas de cableado.

### Conexión del medidor trifásico (con seis TC) y dirección de los TC

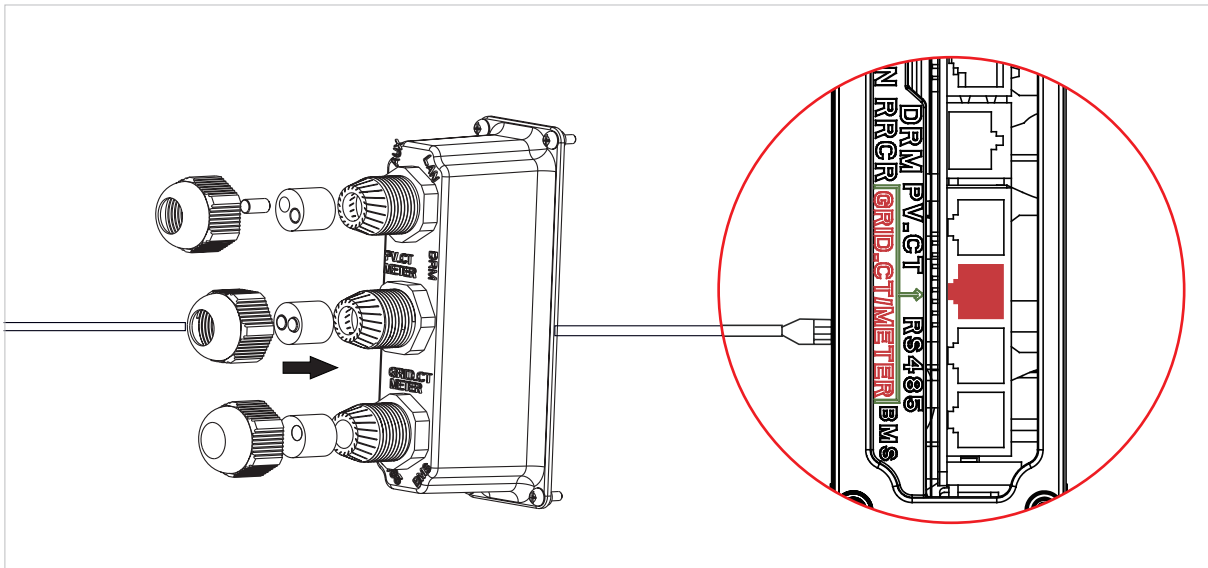


### Identificación del cableado del TC

El medidor se suministra con seis TC etiquetados. Consulte la siguiente tabla para conectar los TC a los terminales correctos del medidor.

	TC DE RED			TC FV			Red	
Fase	Etiqueta	Color del cable	Terminal de medidor	Etiqueta	Color del cable	Terminal de medidor	Etiqueta	Terminal de medidor
L1	IA*	Blanco	1	IA*	Blanco	31	L1	2
	IA	Azul	3	IA	Azul	33	L2	5
L2	IB*	Blanco	4	IB*	Blanco	34	L3	8
	IB	Azul	6	IB	Azul	36	N	10
L3	IC*	Blanco	7	IC*	Blanco	37		
	IC	Azul	9	IC	Azul	39		

## Conexión al inversor



## Configuración del medidor en la aplicación SunPower One para la puesta en servicio

Durante el proceso de puesta en servicio, se debe seleccionar “Medidor” como opción de medidor en lugar de “TC”, que es el valor predeterminado.

## Resolución de problemas

Las cargas no se miden correctamente	Apague el sistema FV. Desconecte los TC de red L2 y L3. Use una pinza amperimétrica para confirmar que la medición coincida con los datos en tiempo real del portal web. De lo contrario, asegúrese de que los terminales de suministro de voltaje del medidor (2,5,8,10) estén conectados correctamente. El L1 debe conectarse al pin 2 del medidor con el neutro (N) conectado al pin 10. Compruebe que el TC no esté invertido. Repita el proceso para cada fase.
TC sin usar después de la instalación	Los TC solo se requieren cuando es necesario hacer una medición. Por ejemplo, si se instala un inversor fotovoltaico monofásico solo en L2, se requiere el TC fotovoltaico L2, pero no los TC fotovoltaicos L1 y L3.
Mediciones bajas en L2 y L3	Asegúrese de que todos los voltajes de las fases de suministro estén conectados al medidor, por ejemplo, los terminales 5 y 8 del medidor conectados a L2 y L3 en una instalación trifásica.

## 6.4 Conexión FV

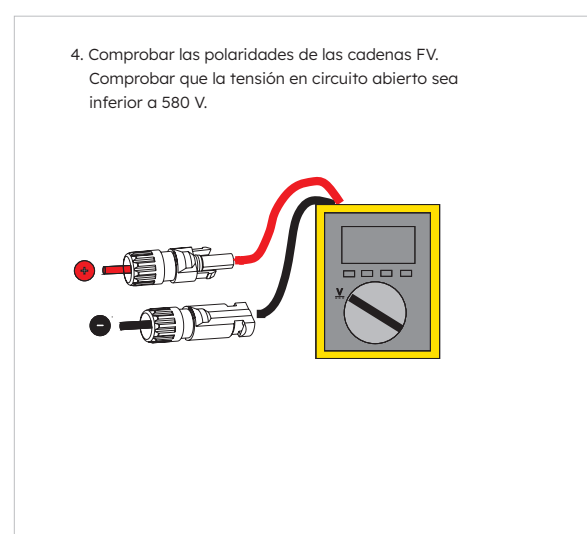
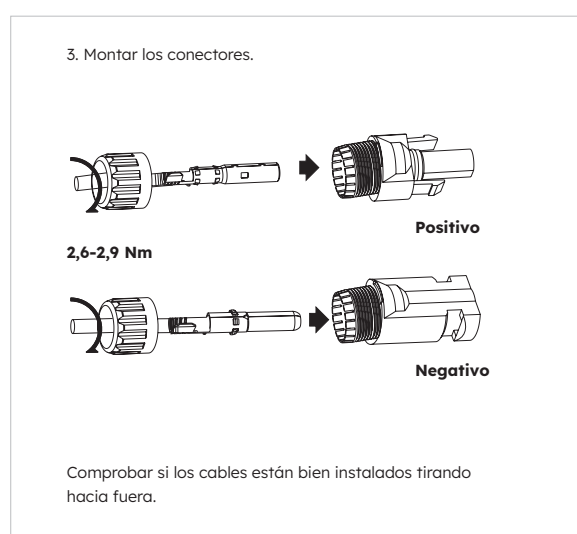
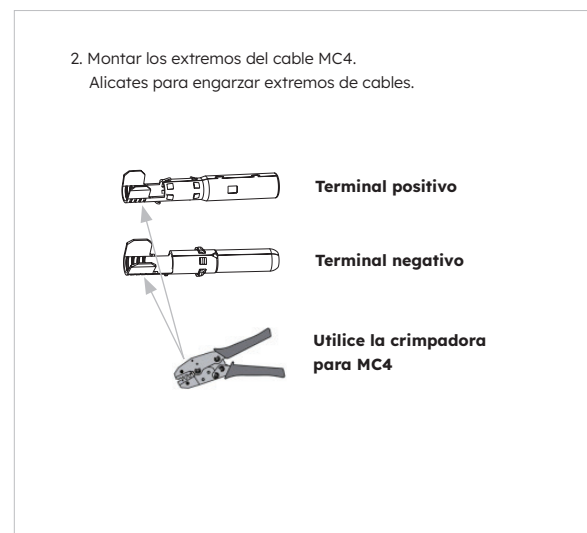
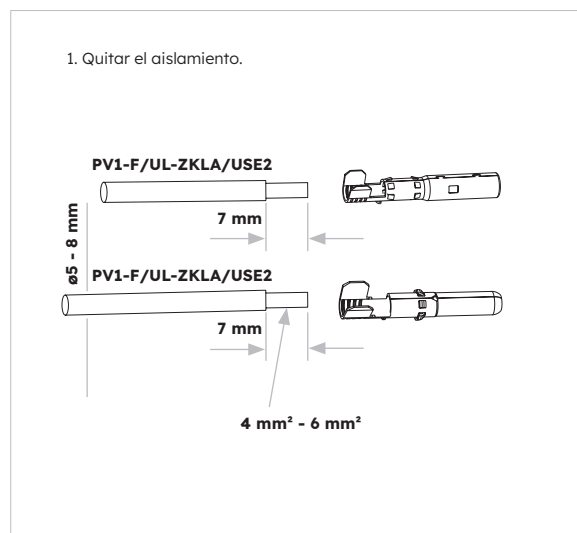
Asegúrate de lo siguiente antes de conectar las cadenas FV al inversor:

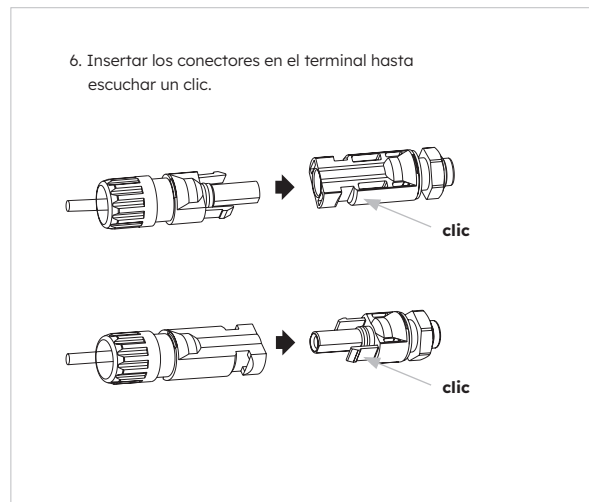
- Asegúrate de que la tensión abierta de las cadenas fotovoltaicas no supere el valor máximo. Tensión de entrada CC (580 V CC). El incumplimiento de esta condición anulará la garantía.
- Asegúrate de que la polaridad de los conectores FV sea correcta.
- Asegúrate de que el interruptor FV, los disyuntores de la batería, el respaldo de CA y la red de CA estén en estado desactivado
- Asegúrate de que la resistencia FV a tierra sea superior a 200 k $\Omega$ .

El inversor incluye conectores FV Staubli MC4.

Sigue las instrucciones en la imagen a continuación para montar los conectores fotovoltaicos.

Requisitos de la sección transversal del conductor FV: 4 mm<sup>2</sup> - 6 mm<sup>2</sup>



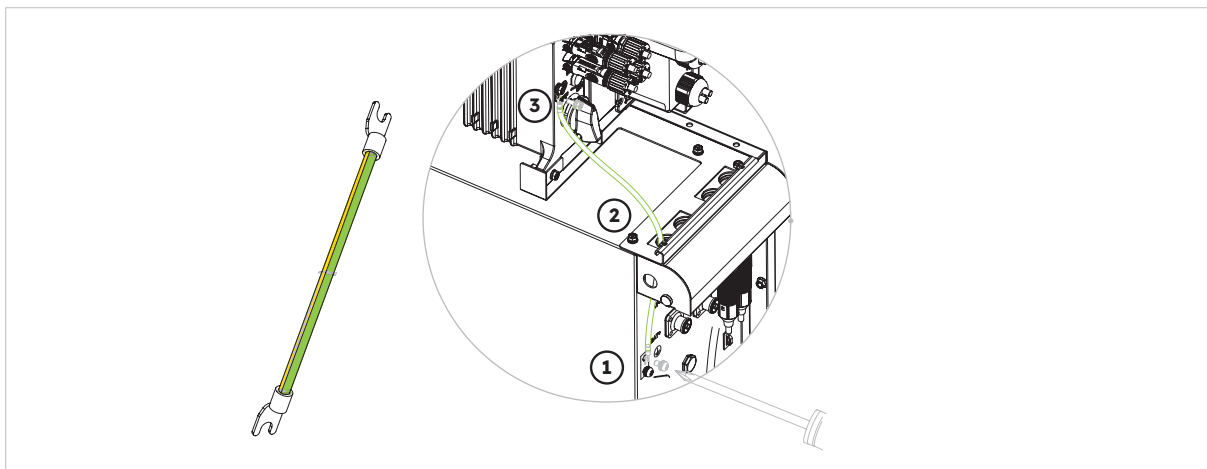


## 6.5 Conexión eléctrica entre el inversor y las baterías

### 6.5.1. Conexión eléctrica entre el inversor y la primera batería

#### Instrucciones de conexión eléctrica:

1. Saca el cable de tierra del paquete del inversor.
2. Conecta el cable a tierra al inversor y a las baterías.

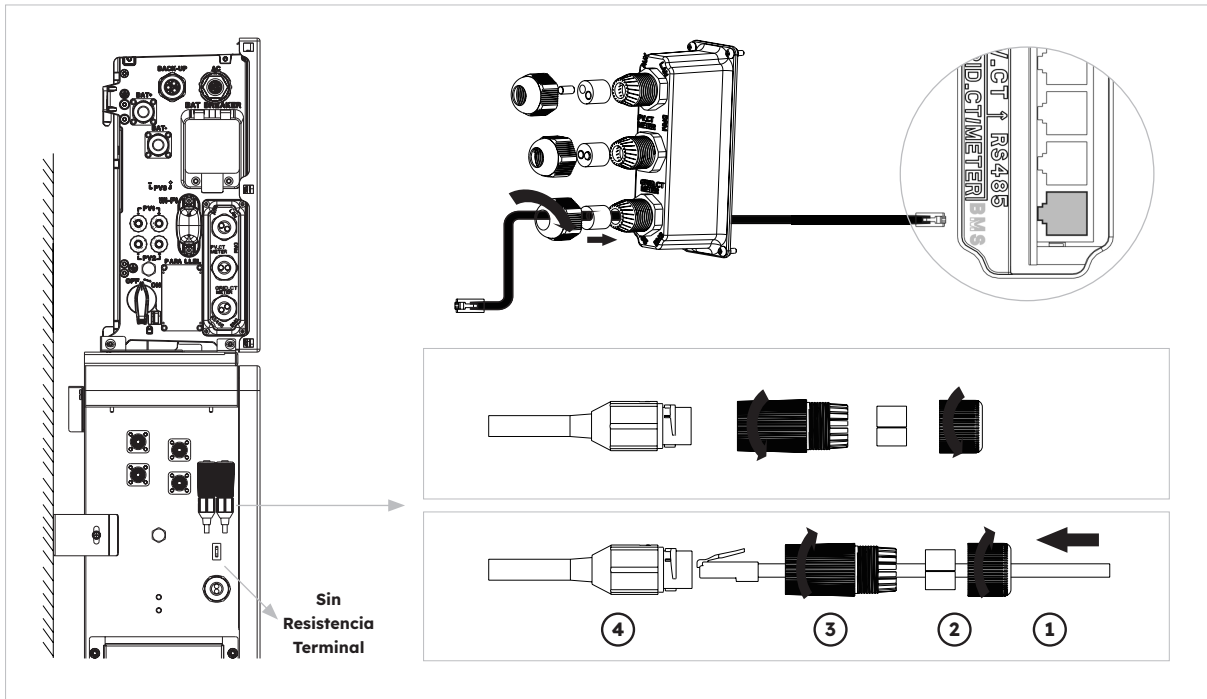


### 6.5.2. Conexión del cable de comunicación

#### Instrucciones de conexión de las comunicaciones:

1. Saca el cable de comunicación de la batería del paquete del inversor.
2. Pasa el cable de comunicación de la batería por el prensaestopas de la tapa de conexión COM de inversor sin ajustar las tuercas giratorias de los prensaestopas; inserta el tapón Rj45 en el puerto de comunicación BMS del inversor. Inserta el otro conector RJ45 en las tomas RJ45 correspondientes en la batería.

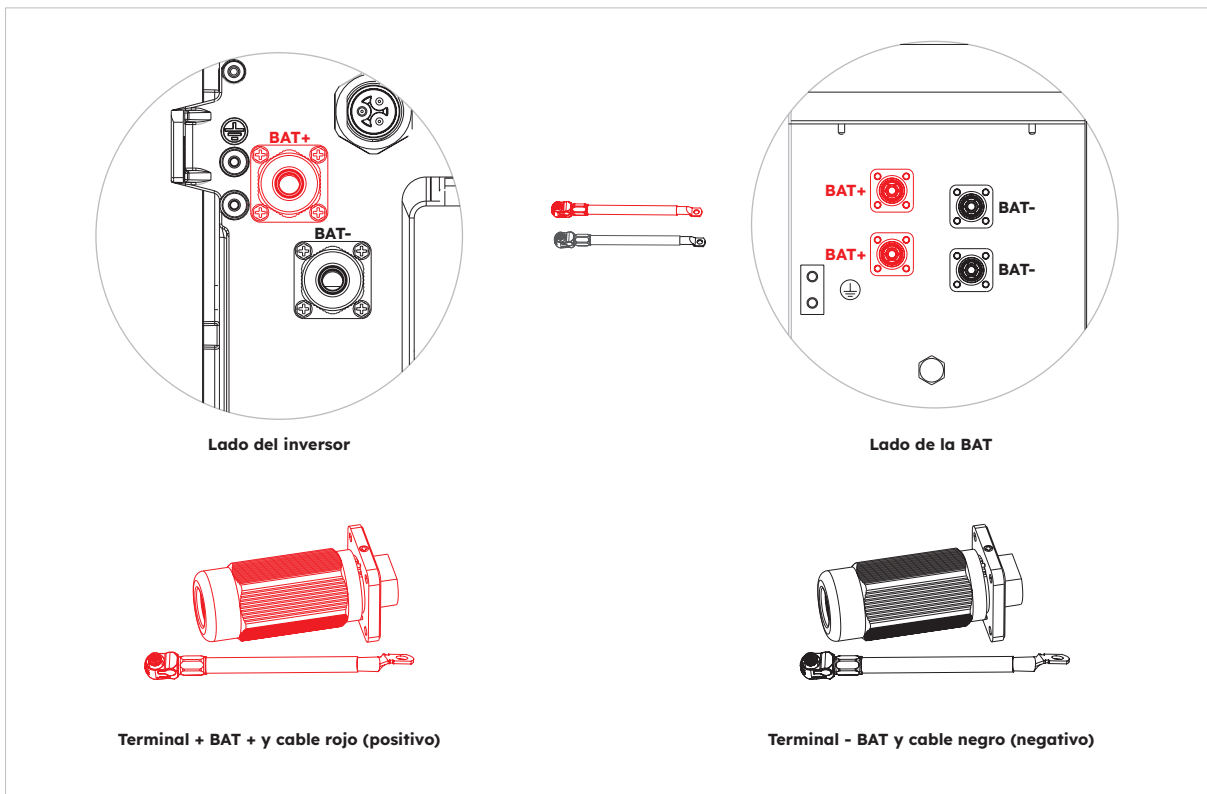
Nota: El anillo magnético del cable de comunicación de la batería debe estar cerca del lado del inversor.



### 6.5.3. Conexión del cable de alimentación

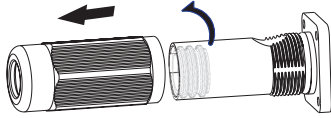
#### Instrucciones de conexión del cable de alimentación:

1. Saca los cables de alimentación de la batería del paquete del inversor.
2. Retira las tapas protectoras de los conectores de alimentación de la batería.
3. Conecta los cables de alimentación de la batería al inversor y a las baterías.  
Presta atención a la polaridad del conector: el rojo es para el positivo de la batería.

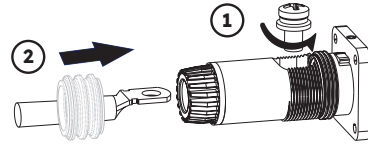




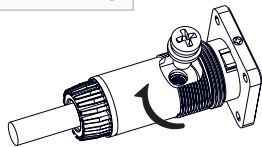
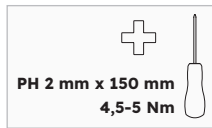
1.



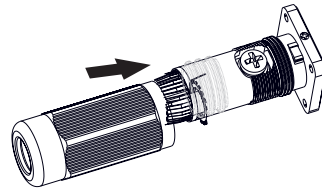
2.



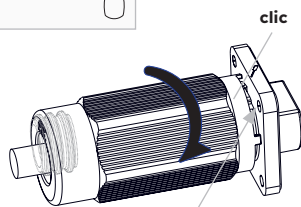
3.



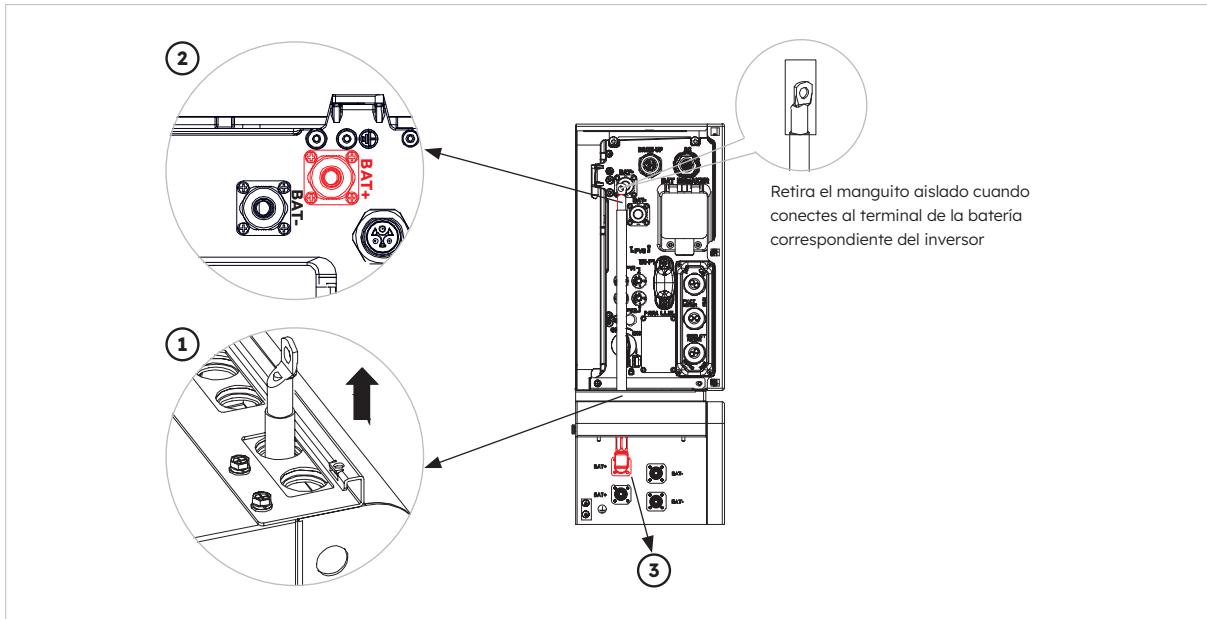
4.



5.



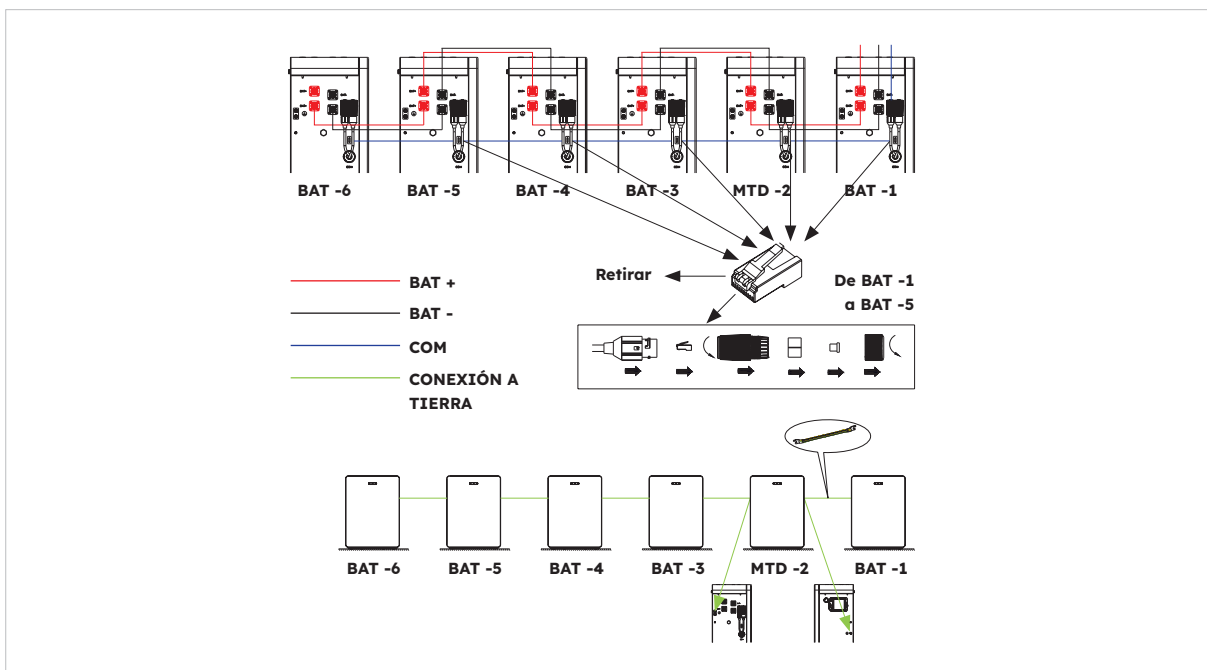
Presionar la hebilla con un destornillador plano al desenroscar la tuerca giratoria



### 6.5.4. Conexión eléctrica para baterías de expansión

La conexión eléctrica para baterías de expansión de hasta 6 unidades se realiza de la siguiente manera:

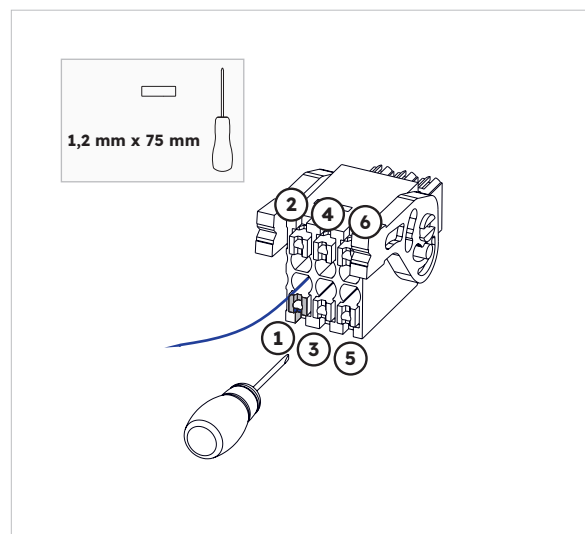
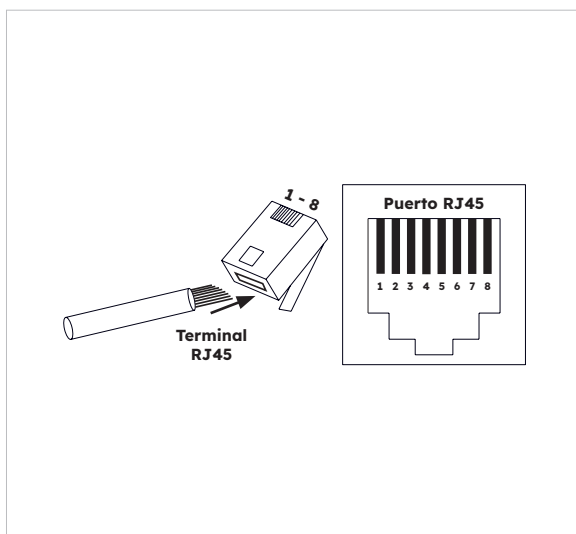
1. Saca los cables de alimentación de expansión de la batería y el cable de comunicación del paquete de la batería.
2. Retira las tapas protectoras de los conectores de alimentación de la batería. Conecta los cables de alimentación de las dos baterías.
3. Presta atención a la polaridad del conector: el rojo es para el positivo de la batería.
4. Inserta los conectores RJ45 en las tomas RJ45 correspondientes en las baterías.
5. Conserva solo la resistencia terminal de la última batería; retira la otra resistencia terminal.
6. Realiza la conexión a tierra entre dos baterías según el apartado 6.2 correspondiente.



## 6.5.5. Otra conexión de comunicación del inversor

Para la conexión de otras comunicaciones (AUX, LAN, DRM, RS485), sigue los pasos que se indican a continuación:

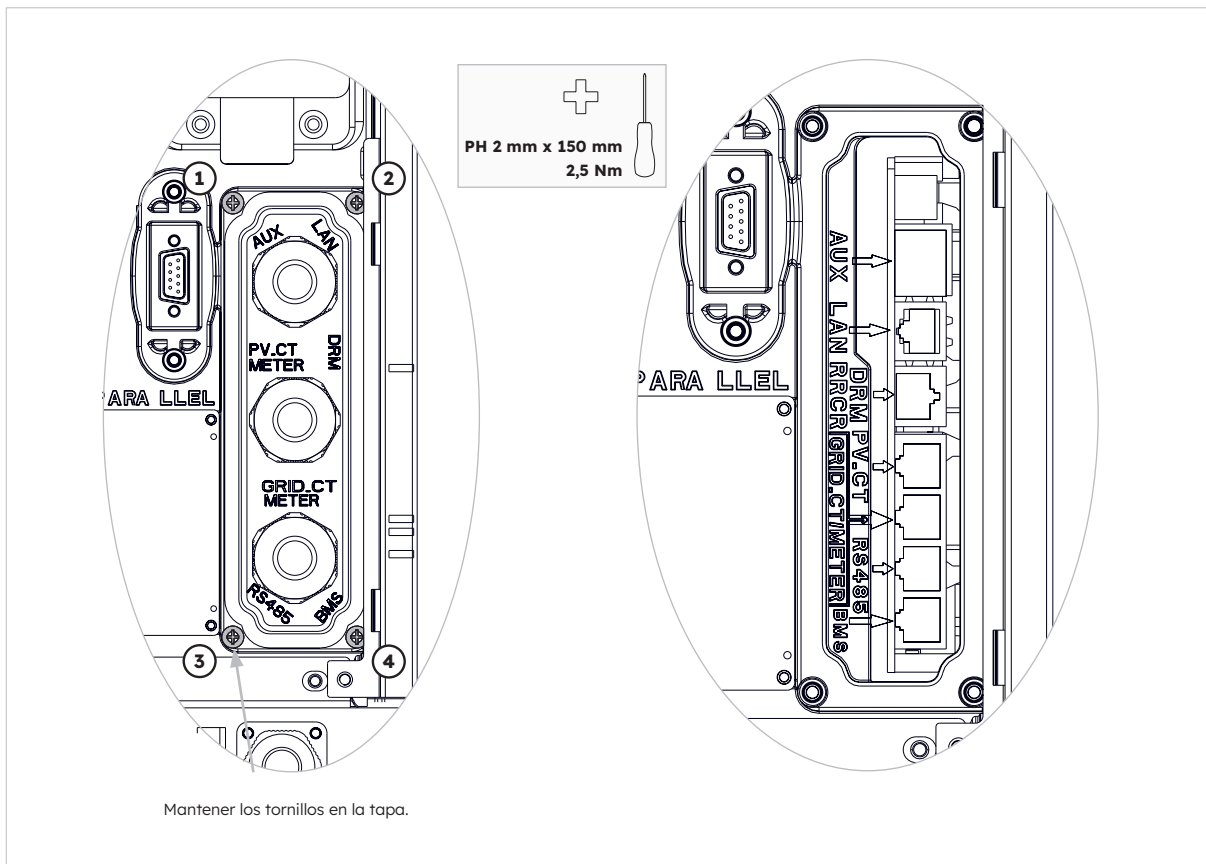
1. Afloja los prensaestopas de la tapa de la conexión COM y, a continuación, desatornilla los 4 tornillos de la tapa de la conexión COM.
2. Pasa los cables de comunicación por los prensaestopas de la tapa de conexión COM sin ajustar las tuercas giratorias de los prensaestopas. Inserta los conectores RJ45 en las tomas RJ45 correspondientes.
  - a. Si se especifica la compatibilidad con DRM, el sistema solo podrá utilizarse junto con un dispositivo de activación de la respuesta a la demanda (DRED). Así se garantiza que el sistema aplique siempre las órdenes del operador de red para la limitación de la potencia activa. El sistema y el dispositivo de activación de la respuesta a la demanda (DRED) deben estar conectados en la misma red. Solo DRM0 está disponible para este producto.
  - b. Extrae el bloque de terminales de 6 clavijas para la conexión AUX. Para hacer la conexión del cableado, inserta un destornillador (ancho: 1,2 mm) en el lado de la posición de conexión relativa. Para la definición de la posición AUX, consulta la documentación de cableado AUX.



3. Coloca la tapa de la conexión COM contra la carcasa del inversor y ajusta los 4 tornillos; por último, fija la tuerca giratoria de los prensaestopas.

La definición de las clavijas de los puertos de comunicación:

Puerto	Números de pin							
	1	2	3	4	5	6	7	8
AUX	1	2	3	4	5	6	7	8
	DO1_NO	DO1_COM	DO1_NC	DI_negativo	DI_positivo	GND		
DRM RRCR	1	2	3	4	5	6	7	8
	DRED 1/5	DRED 2/6	DRED 3/7	DRED 4/8	REF GEN/0	COM CARGA/0	/	/
FV_TC	1	2	3	4	5	6	7	8
	/	/	RS485_A7	/	/	RS485_B7	/	/
MEDIDOR RED_TC	1	2	3	4	5	6	7	8
	/	/	RS485_A7	/	/	RS485_B7	/	/
RS485	1	2	3	4	5	6	7	8
	/	/	/	RS485_B5	RS485_A5	/	/	/
BMS	1	2	3	4	5	6	7	8
	/	RS485_A4	/	CAN1_H	CAN1_L	/	RS485_B4	/

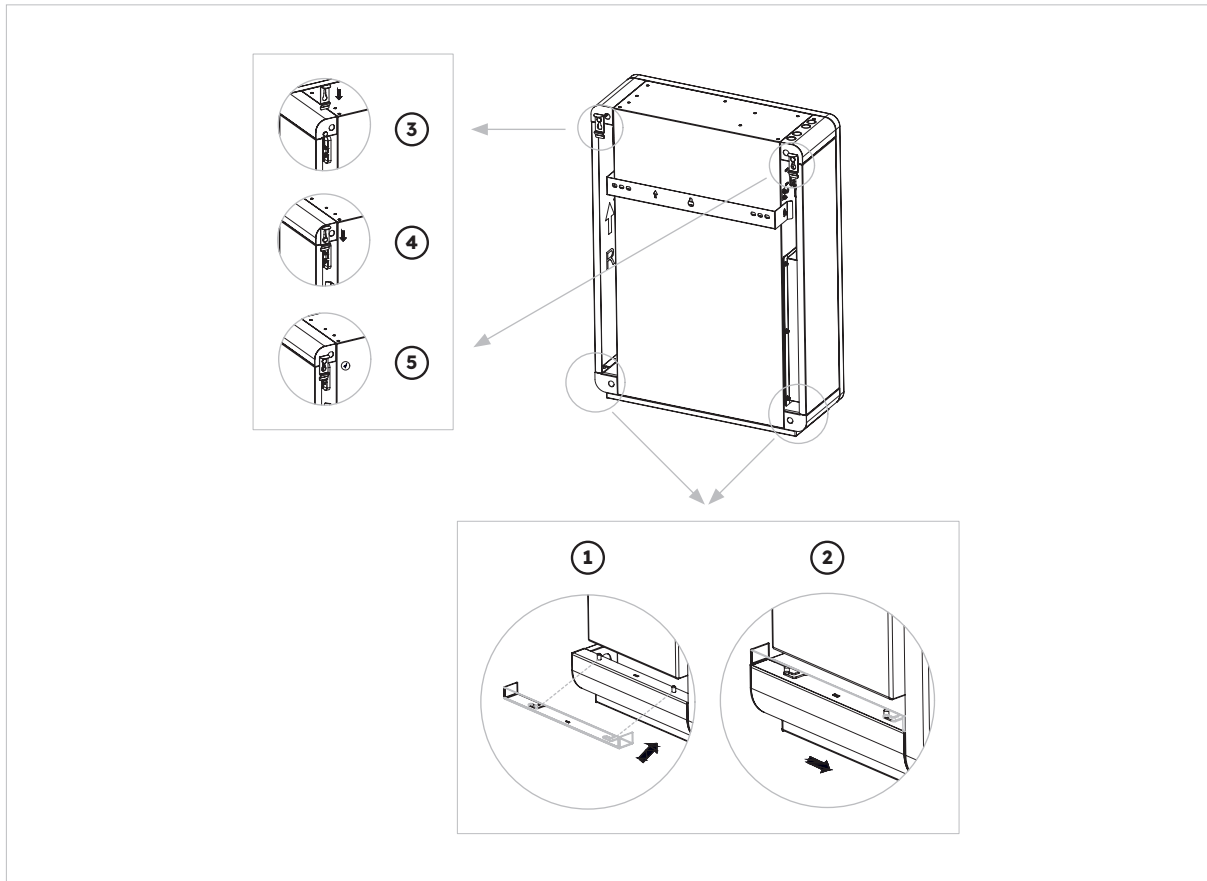


## 6.6. Montaje de la batería y aspecto del inversor

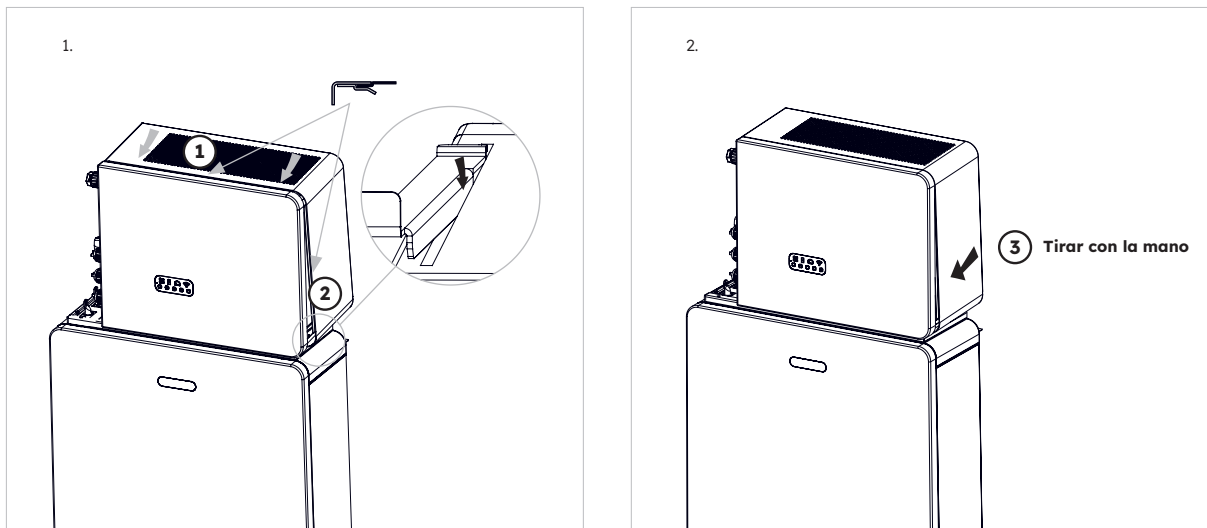
Una vez finalizada la conexión eléctrica del sistema de almacenamiento de energía, lleva a cabo las siguientes operaciones.

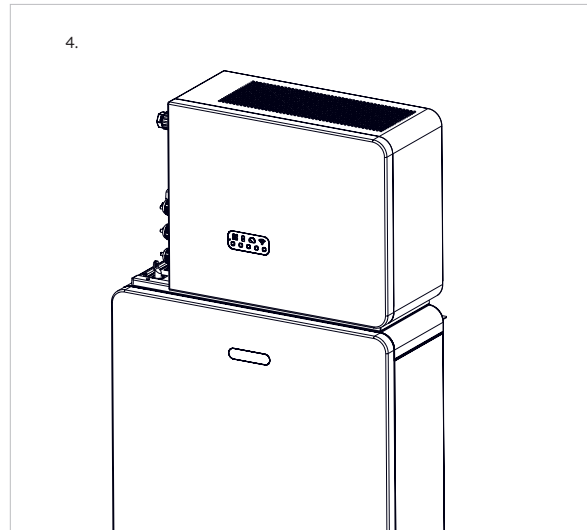
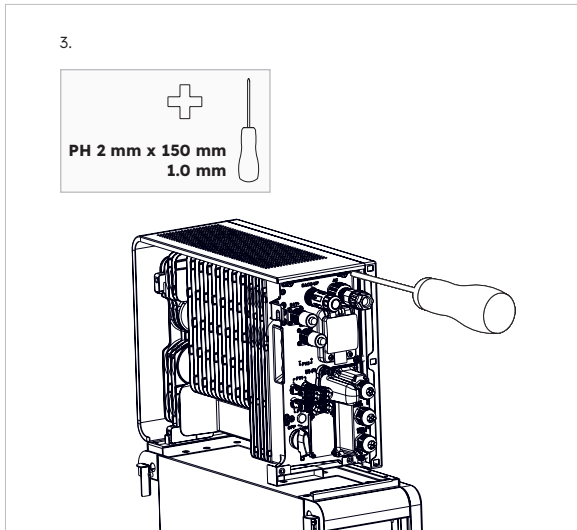
### Instrucciones:

1. Montar las placas laterales de la batería



2. Instalar la cubierta superior del inversor

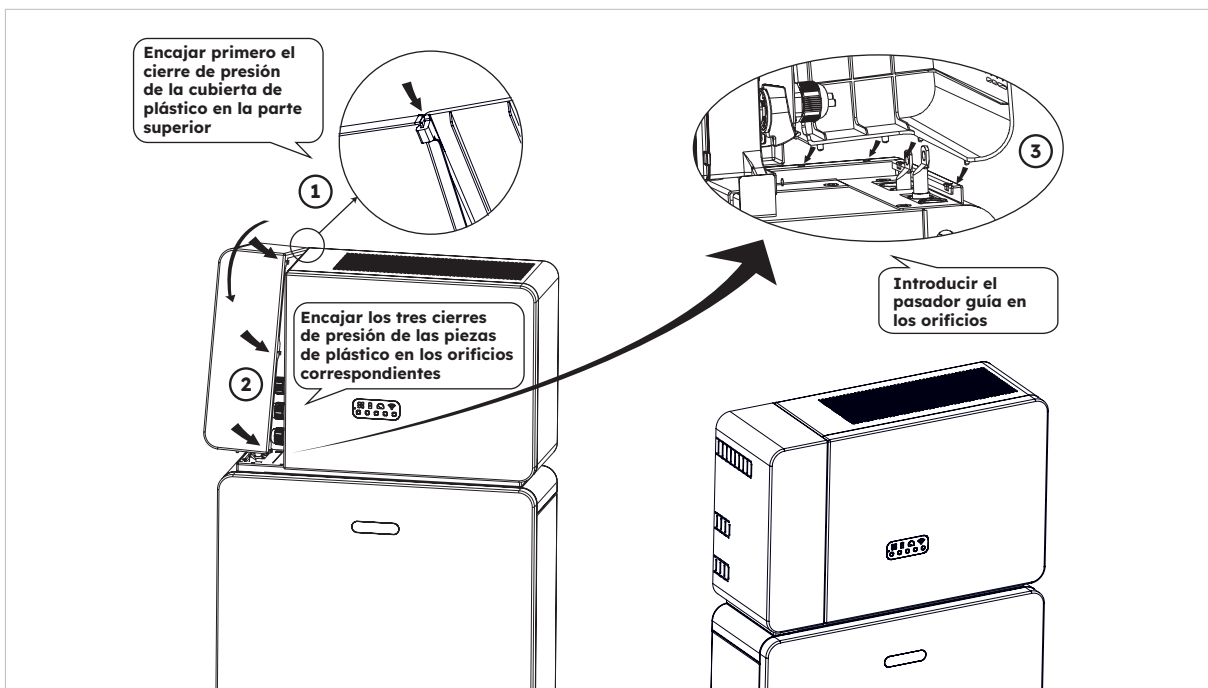




**CONSEJO**

El número de serie y el código de comprobación del inversor se encuentran en el lateral derecho del inversor. Asegúrate de haberlas anotado antes de instalar esta cubierta.

3. Instalar la cubierta izquierda del cable del inversor

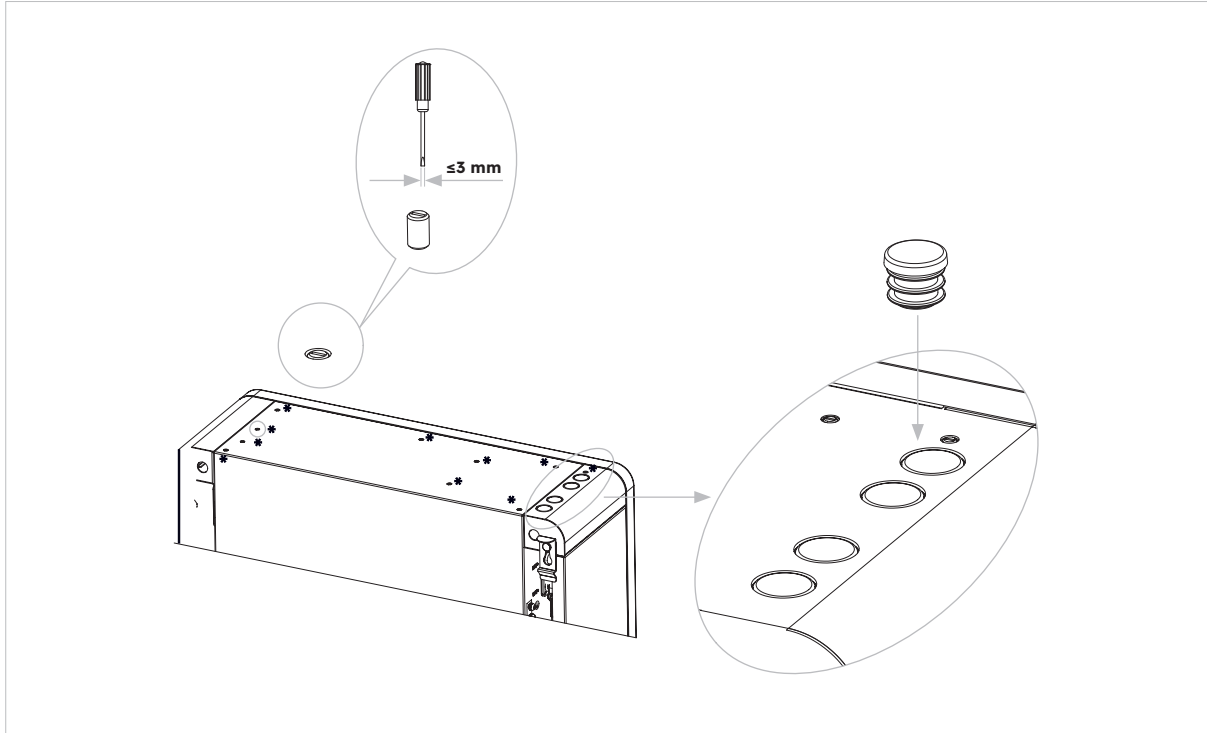


**CONSEJO**

Asegúrate de que todo el cableado esté bien sujeto y de que el sistema funcione correctamente y, a continuación, instala la cubierta superior en el lado izquierdo del inversor.

## 6.7. Montaje de los tapones roscados

Si hay más de una batería instalada, puedes realizar las siguientes operaciones para mejorar el aspecto de la parte superior de la batería.



## 7.0 Procedimiento de arranque y apagado

### 7.1. Procedimiento de arranque

1. Enciende el DISYUNTOR DE LA BATERÍA en el lado derecho de la batería. Repite el procedimiento para las baterías adicionales en orden secuencial.
2. Enciende el AISLADOR DEL SISTEMA DE BATERÍAS que se encuentra en el lado izquierdo del inversor, bajo la cubierta superior de la carcasa.
3. Pulsa el BOTÓN DE INICIO DE LA BATERÍA durante 1 s en la BATERÍA 1. Se encuentra junto a los disyuntores de la batería. Repite el procedimiento para las baterías adicionales en orden secuencial, dentro de los 5 s.
4. Enciende la ALIMENTACIÓN DE RED de CA del inversor.
5. Enciende la ALIMENTACIÓN DE RESPALDO de CA del inversor, si está instalada.
6. Enciende el AISLADOR FV en el lado izquierdo del inversor si el sistema FV está conectado directamente al inversor.

### 7.2. Procedimiento de apagado



**PELIGRO**

Una vez apagado el sistema de almacenamiento de energía, la electricidad y el calor restantes pueden seguir provocando descargas eléctricas y quemaduras corporales. Por lo tanto, procura usar guantes protectores y espera 5 minutos después que se apague el producto.

#### Procedimiento

1. Pon el conmutador en la posición ALIMENTACIÓN para alimentar las cargas desde la RED, si está instalado.
2. Apaga la ALIMENTACIÓN DE RESPALDO de CA del inversor, si está instalada.
3. Apaga la ALIMENTACIÓN DE RED de CA del inversor.
4. Apaga el AISLADOR FV en el lado izquierdo del inversor si el sistema FV está conectado directamente al inversor.
5. Apaga el AISLADOR DEL SISTEMA DE BATERÍAS que se encuentra en el lado izquierdo del inversor.
6. Apaga el DISYUNTOR de cada batería.
7. Mantén pulsado el botón de inicio de la batería durante 6 s para apagar cada batería. Se encuentra junto al DISYUNTOR DE LA BATERÍA.



### 7.3. Comprobaciones antes del arranque

N.º	Comprobar artículo	Criterios de aceptación
1	Entorno de montaje	El espacio de montaje es adecuado y el entorno de montaje está limpio y ordenado, sin objetos extraños.
2	Montaje de la batería y del inversor	El grupo de baterías y el inversor están montados de forma correcta, segura y fiable.
3	Montaje Wi-Fi	El módulo Wi-Fi está montado de forma correcta, segura y fiable.
4	Disposición de los cables	Los cables se tienden correctamente según los requisitos del cliente.
5	Sujetacables	Los sujetacables están asegurados de manera uniforme sin que sobresalga material.
6	Conexión a tierra	El cable de tierra está conectado de forma correcta, segura y fiable.
7	Estado de interruptores y disyuntores	El interruptor FV (si lo hay) y los disyuntores de la batería y todos los disyuntores que se conectan al producto están apagados.
8	Conexiones de cables	Los cables de CA, los cables FV (si los hay), los cables de alimentación de la batería y los cables de comunicación están conectados de forma correcta, segura y fiable.
9	Terminales de potencia no utilizados	Los puertos de alimentación y comunicación no utilizados están bloqueados por tapones herméticos.

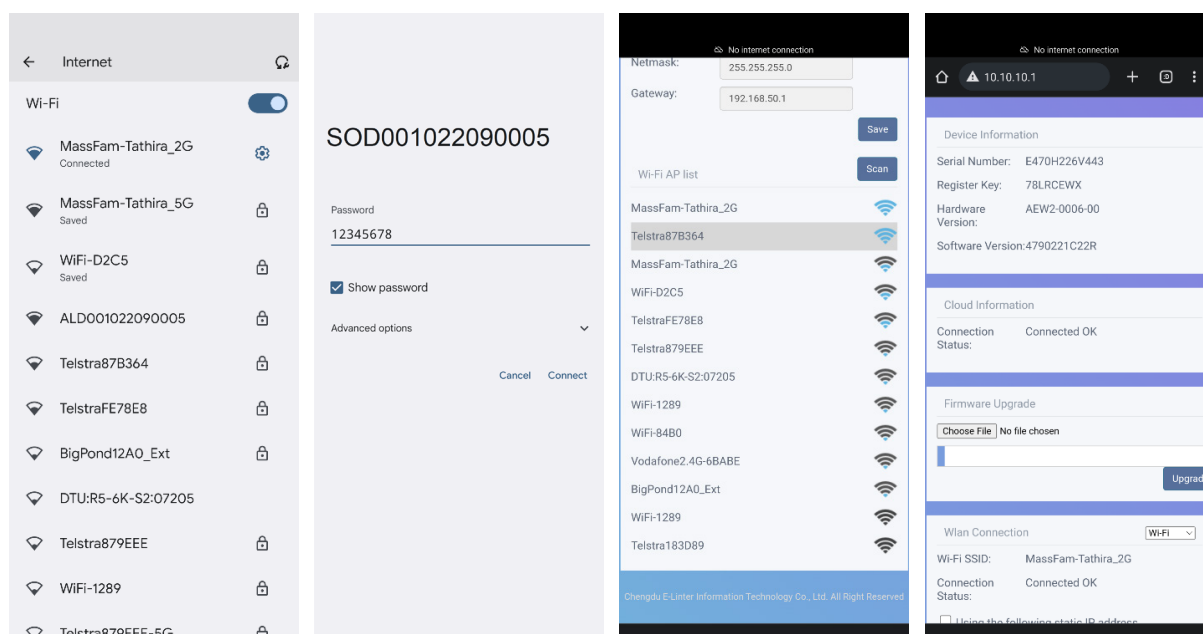
## 8.0 Instalación de un nuevo sistema (puesta en servicio)

### 8.1 Conectar Reserve a Internet

Para iniciar el proceso de puesta en servicio de SunPower Reserve tras su instalación, es imprescindible establecer una conexión de datos funcional, que también es necesaria para el monitoreo continuo. El SunPower Reserve ofrece dos métodos de conexión de datos: Ethernet y Wi-Fi.

Si optas por una conexión Ethernet, no es necesaria ninguna configuración adicional. Sin embargo, si prefieres una conexión Wi-Fi, sigue los siguientes pasos para conectar el sistema a la red Wi-Fi del propietario:

1. En tu dispositivo móvil, accede a los ajustes Wi-Fi y localiza la red Wi-Fi asociada a la unidad SunPower Reserve. Esta red se puede identificar por el número de serie de la unidad.
2. Conéctate a la red de la unidad Reserve utilizando la contraseña predeterminada: 12345678
3. Una vez conectado, accede al navegador de tu dispositivo móvil e introduce la dirección IP del SunPower Reserve: 10.10.10.1. Esta acción mostrará una interfaz sencilla que permite la conexión de la unidad Reserve a la red Wi-Fi in situ.
4. Pulsa la opción “escanear” en la parte inferior de la pantalla para buscar las redes disponibles.
5. En la lista de redes mostradas, selecciona la red deseada a la que se conectará la unidad Reserve e introduce la contraseña Wi-Fi correspondiente.
6. Una vez que la conexión se haya establecido correctamente, la interfaz proporcionará un mensaje de confirmación que indicará “Conectado OK”.



Con estas instrucciones, el SunPower Reserve puede conectarse y configurarse eficazmente para su funcionamiento.

Si por algún motivo el SunPower Reserve ha perdido la conexión a Internet, por ejemplo, si el cliente cambia la contraseña Wi-Fi, los pasos anteriores también permitirán a los clientes restablecer la conexión a Internet del SunPower Reserve.

## 8.2 Descargar e instalar la aplicación SunPower One

1. Los usuarios de dispositivos Android pueden descargar la aplicación SunPower One desde Google Play.
2. Los usuarios de dispositivos iOS pueden descargar la aplicación SunPower One desde la Appstore



### CONSEJO

Las herramientas de puesta en servicio, incluidos los datos de acceso, solo están disponibles para los instaladores que hayan completado los módulos de formación necesarios.

## 8.3 Puesta en servicio de SunPower Reserve

Antes de empezar, asegúrate de que el sistema Reserve está instalado y dispone de una conexión de datos funcional.

A continuación, se resumen los pasos necesarios para poner en servicio correctamente el SunPower Reserve. Sigue las siguientes instrucciones:

1. Inicia la aplicación SunPower One e inicia sesión con tu nombre de usuario (correo electrónico) y contraseña de SunPower One.
2. En la pantalla de inicio, pulsa “iniciar” para comenzar el proceso de puesta en servicio de un nuevo sistema.
3. En la pantalla siguiente, introduce la dirección de correo electrónico del cliente para el que estás instalando el sistema. Este correo electrónico se utilizará para preconfigurar la cuenta de cliente necesaria para iniciar sesión en la aplicación SunPower One. Es crucial verificar la exactitud del correo electrónico con el cliente y asegurarse de que puede acceder a él en su dispositivo móvil.
4. Selecciona la configuración de sistema adecuada, tal y como se indica en la sección 3.3, y sigue los pasos proporcionados por la aplicación para completar la activación y configuración de su instalación.
5. Una vez finalizada la configuración de Reserve, se enviará un correo electrónico de confirmación al cliente. Este correo electrónico contendrá un enlace a la aplicación SunPower One, que permitirá al cliente activar su cuenta SunPower One y disfrutar de la experiencia completa SunPower One.

Sigue estos pasos para poner en marcha la instalación SunPower Reserve.



### PRECAUCIÓN

#### La norma de seguridad debe ajustarse correctamente

Si seleccionas una norma de seguridad que no es válida para tu país y finalidad, puedes provocar una perturbación en el sistema de almacenamiento de energía y ocasionar problemas con el operador de la red. Al seleccionar la norma de seguridad, debes tener siempre en cuenta las normas y directivas aplicables localmente, así como las propiedades del sistema FV (por ejemplo, tamaño del sistema FV, punto de conexión a la red). Si no estás seguro de cuál es la norma de seguridad válida para tu país o finalidad, ponte en contacto con tu operador de red para obtener información sobre la norma de seguridad que debe configurarse.



#### CONSEJO

En el paso 4 del proceso de puesta en servicio, los parámetros disponibles cambian en función de la configuración seleccionada. En esta fase, es importante comprobar que los valores son correctos.

## 8.4 Encender el sistema y comprobar su estado

Asegúrate de que el interruptor FV y los disyuntores de la batería y todos los disyuntores conectados al producto estén encendidos.

## 8.5 Comprobar el respaldo de la CA (si está disponible)

Enciende un aparato eléctrico conectado al puerto de carga de respaldo del inversor con almacenamiento de energía.

Enciende el disyuntor de CA del puerto de respaldo del inversor con almacenamiento de energía.

Desconecta el disyuntor de CA externo entre la red y el inversor de almacenamiento de energía.

El producto entrará inmediatamente en el modo de respaldo de CA.

Comprueba si el aparato eléctrico del lado de respaldo sigue funcionando.



#### PRECAUCIÓN

Durante la puesta en marcha, si los indicadores LED del panel del inversor se muestran en rojo o los indicadores LED del panel de la batería en amarillo, consulta la sección de resolución de problemas (9.0)

## 8.6. Instrucciones al usuario final que instala la aplicación de SunPower One

Asegúrate de que el propietario de la vivienda se haya descargado la APP y haya activado su cuenta a través del correo electrónico de bienvenida.



#### CONSEJO

El registro en garantía del SunPower Reserve se completa cuando el propietario de la vivienda ha activado su cuenta de cliente.

## 9.0 Mantenimiento y resolución de problemas

### 9.1 Mantenimiento de rutina

Para garantizar que el sistema de almacenamiento de energía pueda funcionar correctamente a largo plazo, se recomienda realizar un mantenimiento de rutina, tal y como se describe en este capítulo.

Comprobar artículo	Criterios de aceptación	Intervalo de mantenimiento
Limpieza del producto	El disipador de calor en la parte posterior del inversor y las tapas de ventilación están limpias y libres de obstrucciones.	6 meses
Daños visibles del producto	El producto no está dañado ni deformado.	6 meses
Estado de funcionamiento del producto	1. El producto funciona sin ningún sonido anormal. 2. Todos los parámetros del producto están correctamente configurados. Realiza esta comprobación cuando el producto esté en funcionamiento.	6 meses
Conexiones eléctricas	1. Los cables están bien conectados. 2. Los cables están intactos y sin daños. 3. Los prensaestopas no utilizados están sellados.	6 meses



#### PRECAUCIÓN

Desconecta el sistema de todas las fuentes de energía antes de limpiarlo. Limpia la carcasa, la tapa y la pantalla con un paño suave. Riesgo de quemaduras debido a la carcasa y la cubierta calientes del inversor. La carcasa y la cubierta del inversor pueden calentarse durante el funcionamiento. Durante el funcionamiento, no toques ninguna pieza que no sean las cubiertas laterales. Espera unos 30 minutos antes de limpiarlo hasta que el inversor se haya enfriado.

### 9.2 Resolución de problemas

Para mantener la precisión del SOC, puede ser necesario cargar completamente la batería. Esto restablecerá el SOC de la batería.

## 9.2.1. Solución de errores del inversor

N.º de Error	Descripción del error	Solución
4	Inverter_lost	Se ha perdido la comunicación con el inversor 1. Reinicia el sistema y comprueba si se ha resuelto el fallo. 2. Ponte en contacto con servicio al cliente para actualizar a distancia el programa EMS y DSP del inversor y, a continuación, confirma si el fallo persiste. 3. Si la avería no puede solucionarse, ponte en contacto con el centro de servicio para una comprobación más exhaustiva.
100000	Grid_OVP	1. Comprueba si la red es anormal. 2. Confirma si la conexión del cable de red es normal. 3. Reinicia el inversor y comprueba si el fallo persiste.
100001	Grid_UVP	
100002	Grid_OFP	
100003	Grid_UFP	
100005	BUS_OVP1	Comprueba si la tensión de entrada de PV1 y PV2 supera los 580 V. Si la primera no existe, reinicia el inversor para ver si el fallo persiste. Si persiste, llama al centro de servicio.
100007	Insulation_fault	1. Comprueba si la conexión del cable FV es fiable. 2. Comprueba si el cable FV está dañado.
100008	GFCI_fault	1. Reinicia el inversor y comprueba si el fallo persiste.
100010	GFCI_fault	
100011	Over_Temperature	1. Comprueba si el entorno alrededor del inversor presenta una mala disipación del calor. 2. Confirma si la instalación del inversor cumple los requisitos de instalación.
100012	PV_Reverse	1. Comprueba si las conexiones FV están invertidas. 2. Si las conexiones son correctas, llama al centro de servicio.
100013	BAT_Reverse	1. Comprueba si las conexiones de la batería están invertidas. 2. Si las conexiones son correctas, llama al centro de servicio.
100017	MPPT1_OVP	Comprueba la tensión PV1. Si supera los 585 VDC, disminuye el número de módulos FV.
100021	MPPT2_OVP	Comprueba la tensión PV2. Si supera los 585 V, disminuye el número de módulos FV
100025	BAT_OVP	Comprueba que la tensión real de la batería supera la tensión de corte de carga de la batería en más de 20 V.
100026	BAT_UVP	Comprueba que la tensión real de la batería es inferior a la tensión de corte de descarga de la batería.
100027	Battery_lose	Confirma que el cableado es normal y comprueba que el valor de muestreo de la tensión de la batería es inferior a 75 V.

N.º de Error	Descripción del error	Solución
100042	Output_short_circuit	<ol style="list-style-type: none"> <li>1. Utiliza un multímetro para comprobar la impedancia de la salida sin red. Si es pequeño, comprueba que el cableado es correcto.</li> <li>2. Reinicia el inversor para ver si el fallo persiste. Si persiste, llama al centro de servicio.</li> </ol>
100043	Output_overload	Comprueba que la carga supera la potencia nominal. Reinicia el inversor para ver si el fallo persiste. Si persiste, llama al centro de servicio.
100052	Backup_ovp	Reinicia el inversor para ver si el fallo persiste. Si persiste, llama al centro de servicio.
7	BMS perdido	<p>BMS perdido</p> <ol style="list-style-type: none"> <li>1. Comprueba que la conexión de comunicación BMS entre la batería y el inversor es normal.</li> <li>2. Comprueba que la batería esté conectada</li> <li>3. Si el fallo no se soluciona, ponte en contacto con el centro de servicio para que lo revisen.</li> </ol>
60002	Circuit_Breaker_Open	Intenta encender todos los interruptores de las baterías. Si esta acción no resuelve el problema, ponte en contacto con servicio al cliente.
60004	Slave_Battery_Communication_Lost	Comprueba los cables de comunicación entre baterías
60006	Master_Battery_Communication_Lost	
60008	Multi_Master_error	
5	Medidor de red perdido	<p>Pérdida del medidor del lado de la red</p> <ol style="list-style-type: none"> <li>1. Comprueba que los parámetros de configuración del sistema son correctos y que el medidor se utiliza en el lado de la red</li> <li>2. Comprueba que el cable de comunicación del medidor de red está conectado correctamente (RS485: 3A6B).</li> <li>3. Comprueba que los parámetros de configuración de comunicación del medidor de red son correctos (dirección de comunicación y velocidad en baudios).</li> <li>4. Si la avería no puede solucionarse, ponte en contacto con el centro de servicio para una comprobación más exhaustiva.</li> </ol>
6	Medidor FV perdido	<p>Pérdida del medidor del lado del inversor FV</p> <ul style="list-style-type: none"> <li>• 1. Comprueba que los parámetros de configuración del sistema son correctos y si el medidor se utiliza en el lado del inversor fotovoltaico</li> <li>• 2. Comprueba que los parámetros de configuración de la comunicación del medidor del lado del inversor FV son correctos (dirección de comunicación y velocidad en baudios). (RS485: 3A6B).</li> <li>• 3. Comprueba que los parámetros de configuración de la comunicación del medidor del lado del inversor FV son correctos (dirección de comunicación y velocidad en baudios).</li> <li>• 4. Si la avería no puede solucionarse, ponte en contacto con servicio al cliente para una comprobación más exhaustiva.</li> </ul>

## 9.2.2. Descripción del error del inversor

Los cuatro LED de la fila superior son sistema (SYS), batería (BAT), medidor (METER) y comunicación (COM).
















Los cinco LED de la fila inferior tienen dos funciones:

SOC de todas las baterías del sistema de almacenamiento de energía

Cuando se produce un error, se muestra el código de error correspondiente. De derecha a izquierda, los números representados por cada luz son 1, 2, 4, 8, 16.

Indicador de LED	Código de error	Pantalla LED	Descripción
La luz roja SYS parpadea rápido	4		Inversor perdido
La luz roja SYS está encendida; la luz METER parpadea rápidamente si se ha perdido el medidor de red. La luz roja SYS está encendida;	5		Medidor de red perdido
La luz METER parpadea lentamente si se ha perdido el medidor FV; la luz METER está apagada si se han perdido todos los medidores;	6		Medidor FV perdido
La luz roja SYS está encendida, la luz BAT está apagada	7		BMS perdido
El inversor está averiado, la luz roja SYS parpadea rápidamente	100000		Grid_OVP
El inversor está averiado, la luz roja SYS parpadea rápidamente	100001		Grid_UVP
	100002		Grid_OFF
	100003		Grid_UFP
El inversor está averiado, la luz roja SYS parpadea rápidamente	100005		BUS_OVP1
	100007		Insulation_fault
	100008		GFCI_fault
	100010		Grid_relay_fault



Indicador de LED	Código de error	Pantalla LED	Descripción
	100011		Over_Temperature
	100012		PV_Reverse
	100013		BAT_Reverse
	100017		MPPT1_OVP
	100021		MPPT2_OVP
El inversor está averiado, la luz roja SYS parpadea rápidamente	100025		BAT_OVP
	100026		BAT_UVP
	100027		Battery_lose
	100042		Output_short_circuit
	100043		IOutput_overload
	100052		Backup_ovp
La luz roja SYS está encendida, la luz BAT parpadea cuando la batería está defectuosa.	60002		Circuit_Breaker_OpenCircuit Breaker_Open
	60004		Slave_Battery_Communication_Lost
	60006		Master_Battery_Communication_Lost
La luz roja SYS está encendida, la luz BAT parpadea cuando la batería está defectuosa	60008		Multi_Master_error



1. Los cuatro LED de la primera fila son sistema (SYS), batería (BAT), medidor (METER) y comunicación (COM);
2. Los cinco LED de la segunda fila tienen dos funciones:
  - Visualización de la potencia SOC de la batería.
  - Cuando se produce una avería, se muestra el código de avería correspondiente.

### 9.2.3. Descripción de la protección de la batería

Los tres indicadores LED de la tapa frontal de la batería proporcionan información sobre el estado de protección de la batería con luces de color amarillo fijo o intermitente.

Símbolo	Descripción
	LED amarillo intermitente
	LED amarillo encendido
	LED apagada

Indicador de LED	N.º de protección	Pantalla LED	Descripción	Resolución de problemas
Los LED amarillos están encendidos o parpadean una vez por segundo	1		Diferencia de temperatura	Espera que se resuelva de forma automática. Si el problema aún no se ha resuelto, llama al centro de servicio.
	2		Temperatura alta	Deja de descargar y cargar hasta que desaparezca este estado de la pantalla y espera a que baje la temperatura.
	3		Descarga por baja temperatura	Deja de descargar hasta que se elimine este estado de la pantalla y espera a que suba la temperatura
	4		Carga por exceso de corriente	Espera que se resuelva de forma automática. Si el problema no se resuelve todavía, llama al centro de servicio.
	5		Descarga por exceso de corriente	
	6		Sobretensión de la celda	Deja de descargar y llama inmediatamente al servicio técnico.
	7		Tensión baja de celda	
	8		Descarga de baja temperatura	Deja de descargar hasta que se elimine este estado de la pantalla y espera a que suba la temperatura.



En el caso del modo de trabajo, si aparece el estado de protección “Celda bajo voltaje”, pulsa el botón de encendido 5 veces en 10 segundos; el BMS se verá obligado a encender el MOSFET de descarga para que el inversor pueda detectar el voltaje abierto de la batería y cargar la batería.

## 9.2.4. Descripción del error de la batería

Indicador de LED	Error No.	Pantalla LED	Descripción	Solución de problemas
Los LED amarillos están encendidos o parpadean una vez por segundo	Error 01		Error de hardware	Espera que se resuelva de forma automática.
	Error 05		Error de hardware	Si el problema no se resuelve todavía, llama al centro de servicio e indica el error 05 de hardware.
	Error 06		Disyuntor abierto	Conecta el disyuntor después de apagar la batería.
	Error 08		Desconexión LMU (esclavo)	Vuelve a conectar el cable de comunicación BMS.
	Error 09		Falta SN	Ponte en contacto con tu instalador o con el servicio al cliente.
	Error 10		Desconexión LMU (maestro)	Vuelve a conectar el cable de comunicación BMS.
	Error 11		Versión de software inconsistente	Ponte en contacto con tu instalador o con el servicio al cliente.
	Error 12		Multimaestro	Reinicia todas las baterías.
	Error 13		Exceso de temperatura de MOS	Apaga la batería y enciéndala después de 30 minutos.
	Error 14		Fallo de aislamiento	Reinicia la batería y, si el problema no se resuelve, ponte en contacto con tu instalador
Error 15		Fallo de tensión total	Reinicia la batería y, en caso de que el problema no se resuelva, ponte en contacto con tu instalador o con servicio al cliente.	



En el caso del modo de trabajo, si aparece el estado de protección “Celda bajo voltaje”, pulsa el botón de encendido 5 veces en 10 segundos; el BMS se verá obligado a encender el MOSFET de descarga para que el inversor pueda detectar el voltaje abierto de la batería y cargar la batería.

## 10.0 Desinstalación y devolución

### 10.1. Retirar el producto

#### Procedimiento

1. Apaga el sistema de almacenamiento de energía siguiendo las instrucciones del capítulo 7.2 Procedimiento de apagado del sistema.
2. Desconecta todos los cables del producto, incluidos todos los cables de comunicación, los cables de alimentación FV, los cables de alimentación de la batería, los cables de CA y los cables PE.
3. Retira el módulo Wi-Fi.
4. Retira el inversor de la parte superior de la batería.
5. Retira el soporte de pared de la batería.
6. Retira la batería.
7. Retira el soporte de pared de la batería de expansión, si la hubiera.
8. Retira la batería de expansión, si la hubiera.

### 10.2. Embalaje del producto

Si dispones del embalaje original, introduce el producto en él y, a continuación, ciérralo con cinta adhesiva. Si no dispones del embalaje original, introduce el producto en una caja adecuada y ciérrala correctamente.

### 10.3. Eliminación del producto

Si la vida útil del producto expira, deséchalo de acuerdo con las normas locales de eliminación de residuos de equipos eléctricos y componentes electrónicos.

Elimina el embalaje y las piezas sustituidas de acuerdo con las normas del lugar de instalación del aparato.

No tires el producto con la basura regular de tu hogar.



Li-Ion



## 11.0 Especificación

### 11.1 Ficha técnica del inversor

Artículo	RESERVE-INV-1-P5-L1-INT
<b>Entrada CC (lado FV)</b>	
Máxima potencia FV recomendada	10000 W
Máx. Tensión de entrada FV	580 V
Tensión nominal	360 V
Tensión de arranque	90 V
Rango de tensión del punto máximo de potencia (MPPT)	100 V – 550 V
Corriente de entrada máx. por punto máximo de potencia (MPPT)	15 A / 15 A
Corriente máx. de cortocircuito por punto máximo de potencia (MPPT)	18,75 A / 18,75 A
Número de punto máximo de potencia (MPPT)	2
Número máximo de cadenas de entrada por punto máximo de potencia (MPPT)	1
<b>Batería</b>	
Tipo de batería	Li-ion
Rango de tensión de la batería	80 V - 450 V
Potencia máxima de carga	5 kW
Corriente máxima de carga/ descarga	60 A / 60 A
Comunicación	CAN
<b>Salida de CA (respaldo)</b>	
Potencia nominal de salida	5 kW
Potencia máx aparente de salida	5 kVA
Tiempo de conmutación de respaldo	<20 ms
Tensión nominal de salida	L/N/PE, 230 V
Frecuencia nominal	50/60 Hz
Corriente nominal de salida	21,7 A
THDv(@carga lineal)	3 %

Artículo	RESERVE-INV-1-P5-L1-INT
<b>Entrada de CA (lado de la red)</b>	
Tensión nominal de entrada	L/N/PE, 230 V
Frecuencia nominal	50/60 Hz
Potencia nominal de entrada	10 kW
Corriente de entrada máx	43,5 A
<b>Salida de CA (lado de la red)</b>	
Potencia nominal de salida	5 kW
Potencia máx aparente de salida	5 kVA
Fase de explotación	Monofásico
Tensión nominal de red	L/N/PE, 230 V
Rango de tensión de red	180 V – 270 V
Frecuencia nominal de red	50/60 Hz
Corriente nominal de salida de la red	21,7 A
Factor de potencia	>0,99 (0,8 adelantado - 0,8 atrasado)
Thdi	<3 %
Clase de protección	I
Categoría de sobretensión	III
<b>Eficiencia</b>	
Eficiencia máxima	>97 %
Eficiencia de la UE	>96,2 %
<b>Protección</b>	
Protección contra el funcionamiento en isla	Integrado
Detección de resistencia de aislamiento	Integrado
Monitores de corriente diferencial residual	Integrado
Protección de sobrecorriente de salida	Integrado
Protección contra cortocircuitos de salida	Integrado
Protección contra sobretensión de salida	Integrado
Protección contra polaridad inversa de CC	Integrado
Protección FV contra sobretensiones	Integrado
Interruptor FV	Integrado
Disyuntor de batería	Integrado

Artículo	RESERVE-INV-1-P5-L1-INT
<b>Datos generales</b>	
Dimensiones (An.*P.*Al.)	610 mm*212 mm*380 mm
Peso	20 kg
Topología	Sin transformador
Temperatura de funcionamiento	De -25 °C a +60 °C
Protección contra la penetración	IP65
Emisión de ruido	<30 dB(A) @1m
Concepto de refrigeración	Convección natural
Altitud máxima de funcionamiento	2000 m
<b>Características</b>	
Conexión FV	Conectores enchufables, MC4
Conexión a la red	Conectores enchufables
Conexión de respaldo	Conectores enchufables
Conexión a la BAT	Terminal de tornillo
Comunicación	LAN, Wi-Fi

## 11.2 Ficha técnica de la batería

Artículo	RESERVE-BAT-1-DC-10.1-INT
<b>Datos generales</b>	
Tipo de batería	LFP (LiFePO4)
Peso	90 kg
Dimensiones (An.*P.*Al.)	610 mm * 212 mm * 829 mm
Protección contra la penetración	IP65
Capacidad energética	10,1 kWh
Capacidad útil	9,6 kWh
DoD (profundidad de descarga)	95 %
Tensión nominal	96 V
Rango de tensión de funcionamiento	90 V ~ 108 V
Corriente máx. de carga/ descarga *	60 A
Temperatura de funcionamiento	Carga: $0 < T \leq 50^{\circ}\text{C}$ Descarga: $-10 < T \leq 50^{\circ}\text{C}$
Parámetros de monitoreo	Tensión del sistema, corriente, tensión de la celda, temperatura de la celda, temperatura del PCBA
Comunicación BMS	CAN
<b>Sistema</b>	
Seguridad	IEC62619/ IEC63056/IEC62040/IEC61000
Transporte	UN38.3

\*La corriente máxima de carga/descarga se reducirá en función de la temperatura y el SOC



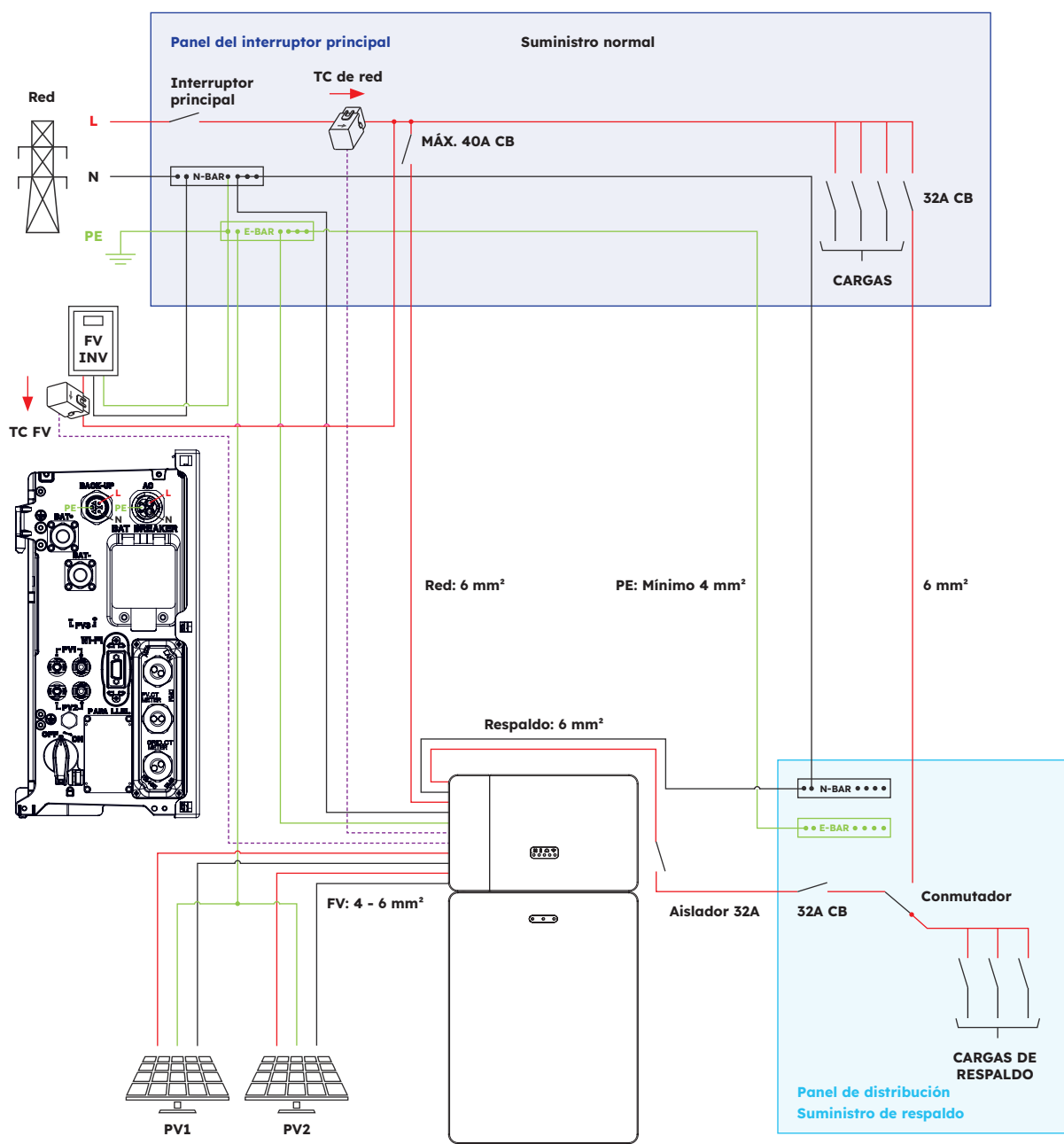
## 12.0 Anexo 1: Visión general del sistema

### 12.1 Esquema eléctrico del sistema para Australia

#### 12.1.1. Configuración híbrida o acoplada de CA (AUS)

Esquema eléctrico Sun Power Reserve híbrido acoplado a monofásico (AU)

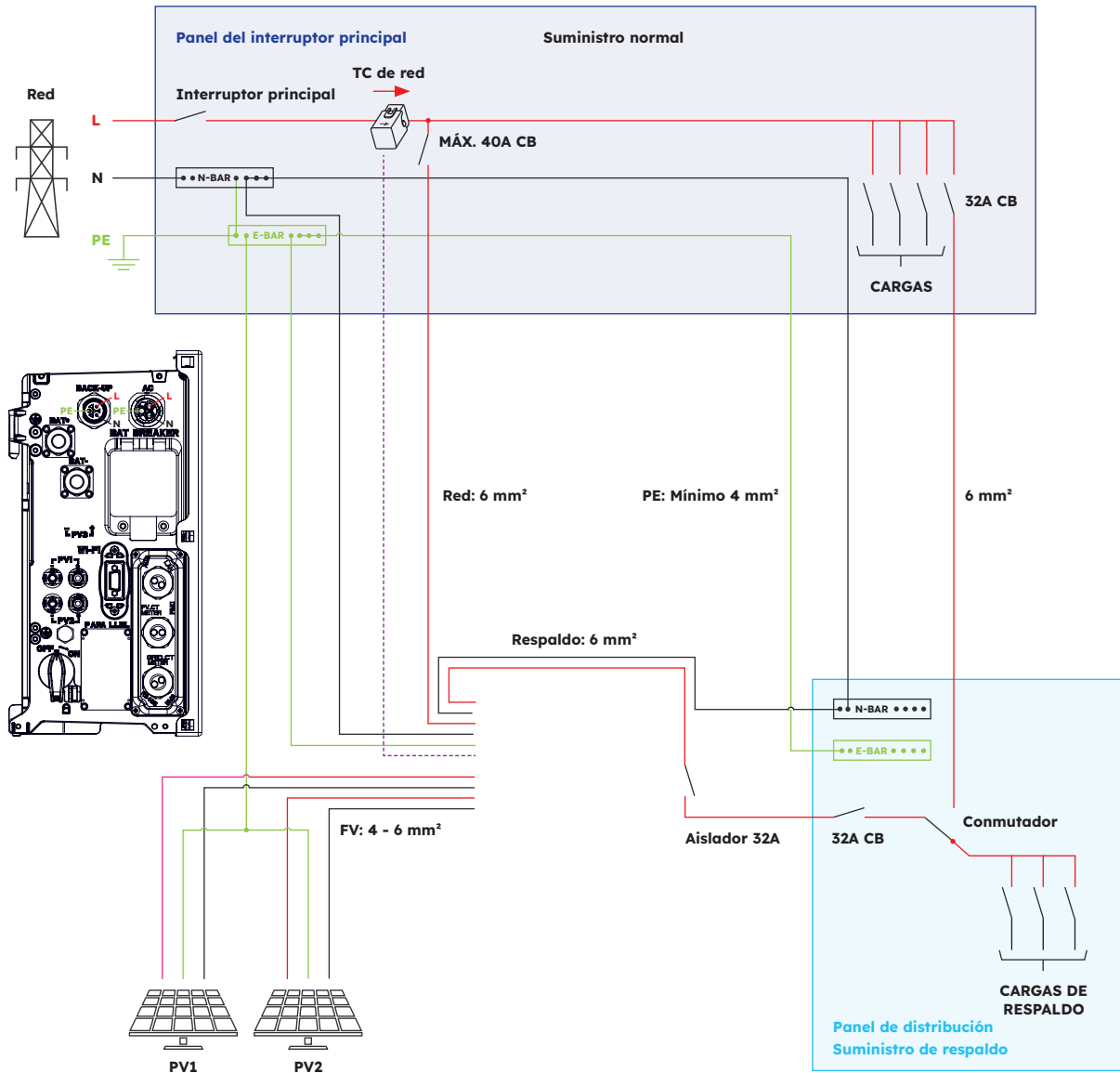
Nota: El neutro está conmutado, por lo que el neutro de respaldo de CA debe estar conectado a la barra neutral.



## 12.1.2. Configuración acoplada de CC (AUS)

Esquema eléctrico de Sun Power Reserve - CC acoplada a monofásica (AU)

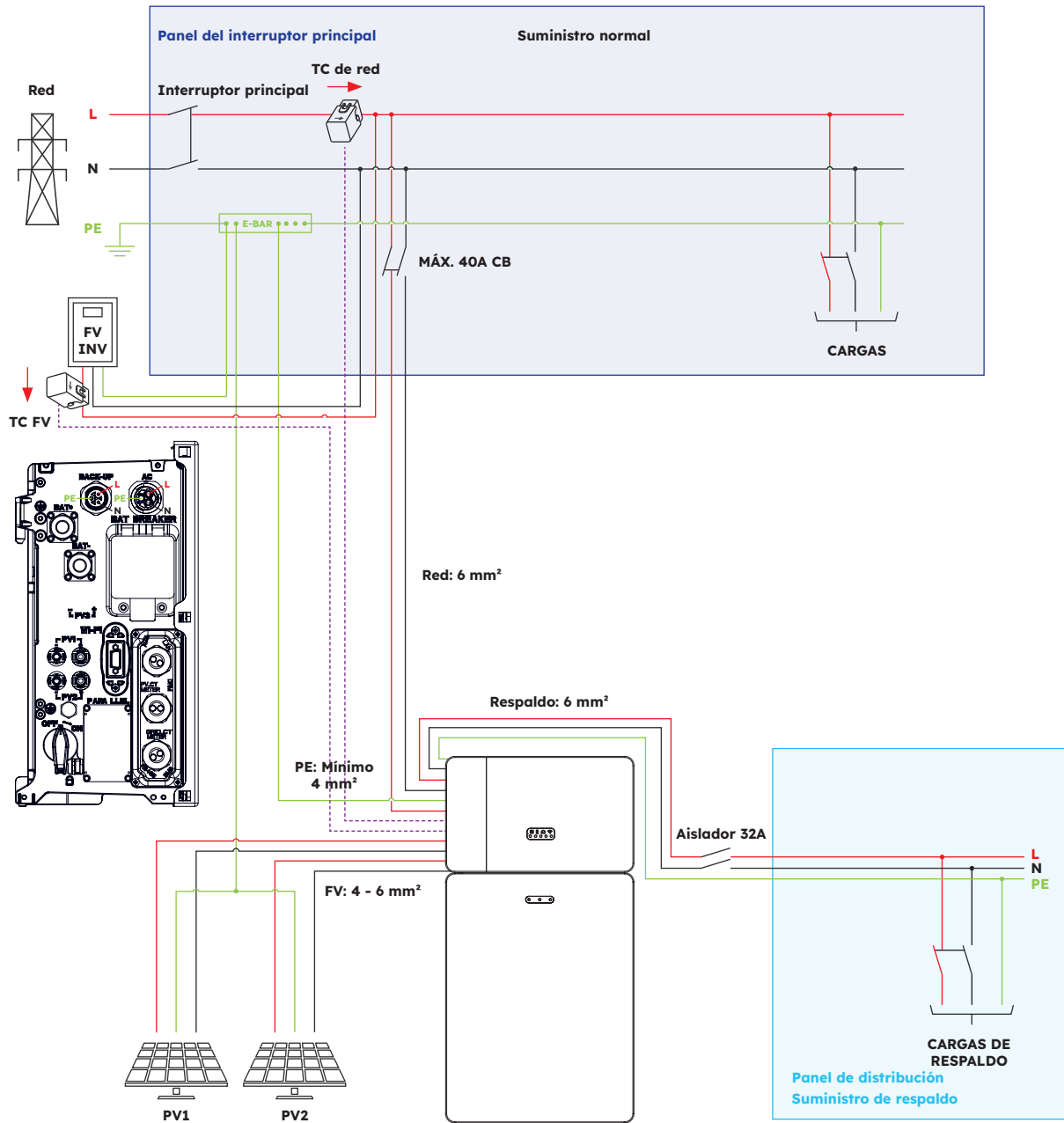
Nota: El neutro está conmutado, por lo que el neutro de respaldo de CA debe estar conectado a la barra neutral.



## 12.2. Esquema eléctrico del sistema para Europa

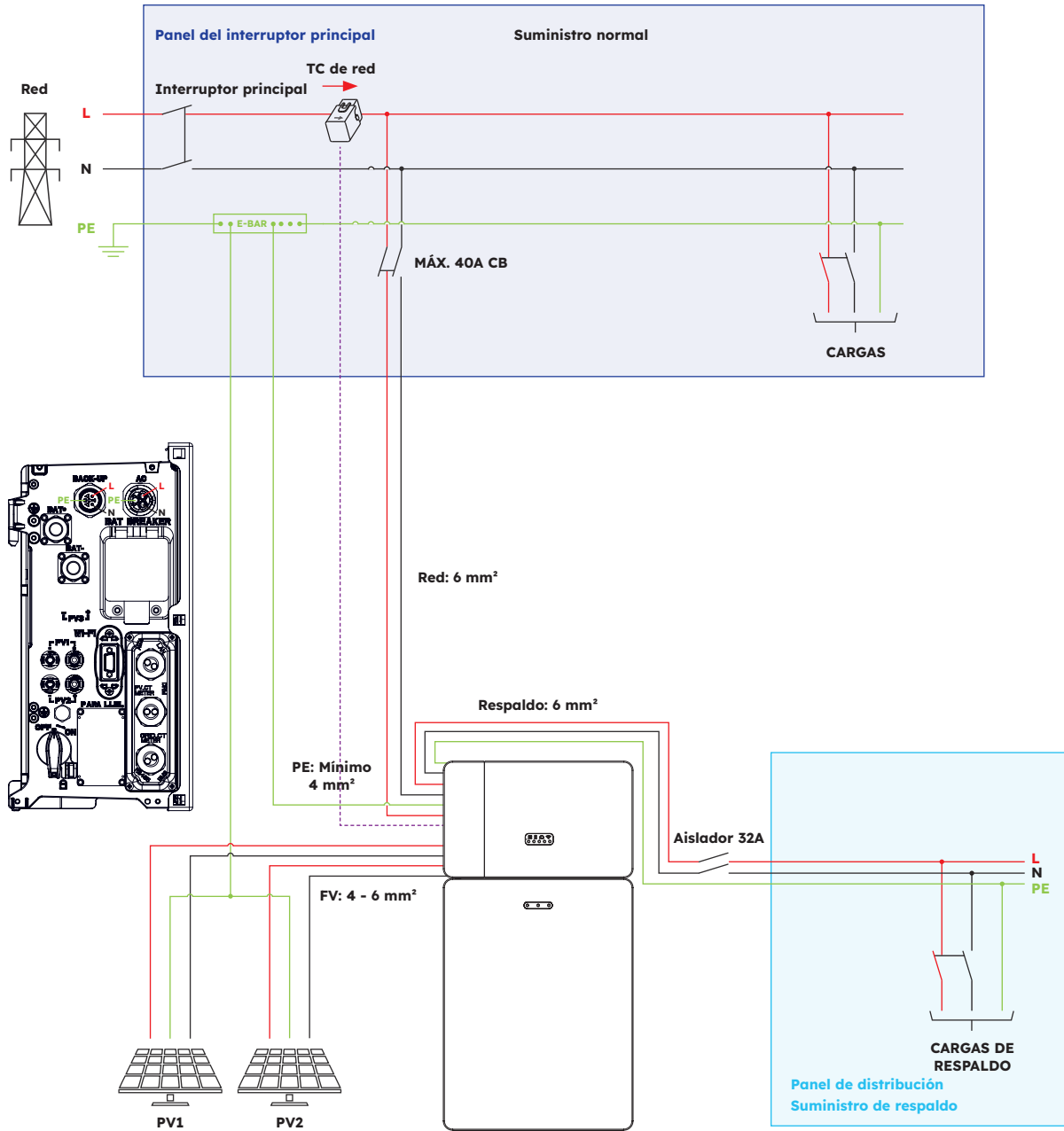
### 12.2.1. Configuración híbrida o acoplada de CA (UE)

Esquema eléctrico de SunPower Reserve - híbrido acoplado a monofásico (UE)



## 12.2.2. Configuración acoplada de CC (UE)

Esquema eléctrico de Sun Power Reserve - CC acoplada a monofásica (UE)



## 13.0 Anexo 2: Norma de aplicación regional

Consulta con tu compañía eléctrica local y elige la norma de aplicación regional correspondiente; los modos de calidad de la energía Volt-VAR y Volt-Watt se ejecutarán automáticamente. (Solo para regiones con normativa de seguridad AS/NZW 4777.2).

País (DNSP)	Norma de seguridad	Configuración regional
Ausgrid, Ausnet, Citipower, Endeavour Energy, Energex, Ergon, Essential Energy, Evoenergy, Jemena, SA Power Networks, PowerCor, United Energy	AS/NZS 4777.2: 2020	Australia A
Western Power	AS/NZS 4777.2: 2020	Australia B
Horizon Power y TasNetworks	AS/NZS 4777.2: 2020	Australia C
Nueva Zelanda	AS/NZS 4777.2: 2020	Nueva Zelanda
Alemania	VDE4105/11.18	Alemania
Italia	CEI 0-21	Italia
España	RD1699/UNE	España
Bélgica	C10/C11	Bélgica
Países Bajos	EN50549	Países Bajos